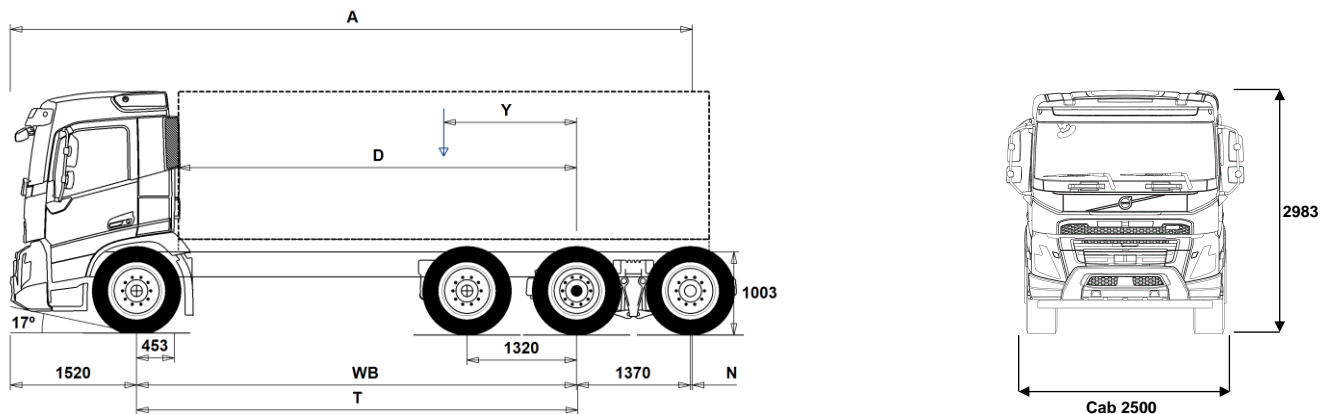


MODEL RANGE

NEW FMX Battery Electric 8x2 Rigid Pusher and Tag Tridem FMX 82RPTE



Chassis Dimensions [mm]

WB Wheelbase	5300	5600
A Overall Chassis Length	10565	10865
D Center of rear axle to front of body	4797	5097
N Rear Overhang	2375	2375
T Theoretical Wheelbase	5314	5614
Y Center of Gravity for Payload (Min.)	359	358
Y Center of Gravity for Payload (Max.)	359	358

Chassis Weights [kg]

Front Axle	6525	6610
Rear Bogie	4475	4440
Kerb Weight	11000	11050
Payload (including body, driver, fuel, etc.)	21000	20950

Turning Diameter [mm]

Turning Circle Diameter Kerb to Kerb	20800	21700
Turning Circle Diameter Wall to Wall	22200	23200

Plated Weights [kg]

	Plated	Design
Gross Vehicle Weight	32000	35000
Gross Combination Weight	32000	32000
Front Axle	8000	8000
Rear Bogie	24000	27000

Important Notes

Chassis Dimensions

Cab Height: +374 mm for CAB-HSLP, -204 mm for CAB-LDAY, -204 mm for CAB-LSLP, +4 mm for CAB-SLP.
 Front Axle to Back of Cab: +422 mm for CAB-HSLP and CAB-LSLP and CAB-SLP.
 D-measure includes a front clearance of 50 mm and for rigid trucks also a subframe of 100 mm.
 Height can vary ± 20 mm for leaf and ± 10 mm for air suspension.
 All dimensions are for unladen chassis and any tag axles down. Chassis height used: CHH-MED.
 Height change when chassis height CHH-HIGH: 0 mm.

Weight and dimensions are based upon the following tyres:

Front Axle Tyres:	315/80R22.5
Drive Axle Tyres:	315/80R22.5
Trailing/Pusher Axle Tyres:	315/80R22.5

Chassis weight includes oil, water, AdBlue, 0 litres fuel and without driver. Kerb weight can vary ± 3%.

Turning diameters are theoretically calculated. Tag axle used: TA-FIXED.

Legal weights can differ from country to country.

For more detailed weight information, including optional equipment weights, ask your Volvo sales contact to enter your specification into the Volvo Weight Information system (WIS).

Do NOT use this drawing for bodybuilding. Refer to Volvo Bodybuilder Instructions and chassis assembly drawing FMX82RPTE.

MODEL RANGE

NEW FMX Battery Electric 8x2 Rigid Pusher and Tag Tridem FMX 82RPTE

TRUCK USE

- **RC-SMOOT** Road Conditions - Smooth
- **GARB-PRE** Transport Adaption - Refuse preparation
- **TIPP-PRE** Transport Adaption - Tipper vehicle preparation
- **UNIFORM** Transport Adaption - Basic platform vehicle

CORE COMPONENTS

- **CHH-HIGH** Chassis height - High - for loading heights check the unique BEP chassis drawing attached to this quote
- **CHH-MED** Chassis height - Medium - for loading heights check the unique BEP chassis drawing attached to this quote
- **PT-TFID2** Pusher-tag tridem - Electro hydraulic steered pusher with fixed tag/dual wheel mounting
- **RAPDT-GR** Rear air suspension, 3 axles - 1 pusher/1 driven/1 tag
- **FMXE-DAY** Cab - Day, steel safety cage design
Designed and built to Swedish impact and ECE R29 regulations
- **FMXE-HSL** Globetrotter
- **FMXE-LDA** Cab - Low Day - steel safety cage design
Designed and built to Swedish impact and ECE R29 regulations
- **FMXE-LSL** Low sleeper
- **FMXE-SLP** Cab - Sleeper - all-steel safety cage design with a roof-mounted emergency escape hatch.
Designed and built to Swedish impact and ECE R29 regulations
- **ESS360K** Energy storage system - Total energy 360 kWh
- **EPT2412** Gearbox - I-shift Automated 12-speed - suitable for gross train weights up to 44tonne
- **NEM2** Electric Motors - 2 - Output 330 kW - 450hp continuous power
- **RSS1344C** Drive axle - RS1344C single reduction with differential lock - design GCW 44 tonne
- **RSS1344E** Drive axle - RSS1344E single reduction with differential lock - design GCW 44 tonne
- **RSS1370A** Drive axle - RSS1370A single reduction 13 tonne with differential lock - design GCW 70 tonne

PACKAGES

- **INFONDF** Media Information Platform with Navigation & Volvo Connect "On board" Support
- **DRIV-E** Cab Package - Drive
- **DRIV-E+** Cab Package - Drive +
- **DRIV-E++** Cab Package - Drive ++
- **1LIVFM-E** Sleep & Resting Package - Living one-bed
- **2LIVFM-E** Sleep & Resting Package - Living two-bed
- **GSR2024** GSR2 Safety Package - includes moving off information, cyclist and pedestrian side sensors, reverse camera, driver alert support, tyre pressure monitoring, intelligent speed assist, alcohol lock preparation interface, and emergency brake lights
- **GSR2024+** GSR2 Safety Package - includes moving off information, cyclist and pedestrian side sensors, reverse camera, driver alert support, tyre pressure monitoring, intelligent speed assist, alcohol lock preparation interface, and emergency brake lights. Plus Volvo dynamic steering with lane keeping corrective steering, trailer stretch brake and adaptive cruise control
- **SAFE-E** Active safety package
- **SAFE-E+** Active safety package +
- **RANGOPT3** Range Optimisation Package -3 years prepaid subscription
- **RANGOPT4** Range Optimisation Package - 4 years prepaid subscription
- **RANGOPT5** Range Optimisation Package - 5 years prepaid subscription

CHASSIS

- **FST-AIR** Front suspension type - Air
- **FSLs-BAS** Front suspension levelling - basic stroke
- **FSLs-HI** Front suspension levelling - high stroke for demount operations - check with bodybuilder
- **FAL10.0** Front axle design capacity - 10 tonne - check tyre capacity

- **FAL8.0** Front axle design capacity - 8.0 tonne - check tyre capacity
- **FAL8.5** Front axle design capacity - 8.5 tonnes
- **FAL9.0** Front axle design capacity - 9.0 tonne - check tyre capacity
- **FSTAB2** Front anti-roll bar - Medium stiffness
- **FSTAB3** Front anti-roll bar - High stiffness
- **RAL27** Rear bogie design capacity - 27 tonne
- **RAL30** Rear Bogie Design Capacity - 30 tonne
- **RAL30.5** Rear Bogie Design Capacity - 30.5 tonne
- **RAL31.5** Rear Bogie Design Capacity - 31.5 tonne
- **RAL32** Rear Bogie Design Capacity - 31.5 tonne
- **RALIM105** Rear-axle load limiter - 10.5 tonne - speed controlled
- **RALIM115** Rear-axle load limiter -11.5 tonne - speed controlled
- **RALIM13** Rear-axle load limiter - 13 tonne
- **ACTST-TO** Active Steering- Volvo Dynamic Steering - VDS - with extra electronic pump and torque overlay
- **ASFE-BAS** Active steering feature - Basic - Volvo Dynamic Steering - VDS - only
- **ASFE-OG** Active steering feature - Volvo Dynamic Steering - VDS - with stability assist - oversteer
- **ASFE-PO** Active steering feature - Volvo Dynamic Steering - VDS - with personal settings and stability assist
- **ASFE-PS** Active steering feature - Volvo Dynamic Steering - VDS - with personal settings
- **RST-AIR** Rear suspension type - Air
- **FRAME300** Chassis frame section external height - 300 mm
- **FST8080** Chassis frame thickness - 8 mm web and flange
- **FIL-EEEB** Chassis frame inner liner - From the end of the engine to the end of the bogie
- **FIL-EEEF** Chassis frame inner liner - From the end of the engine to end of the frame
- **FIL-TXEB** Chassis frame inner liner - From gearbox member to the end of the bogie
- **FIL-TXEF** Chassis frame inner liner - From gearbox member to the end of the frame
- **BATTAMP** Battery management - Voltage and current gauge
- **BATTIND** Battery management - Voltage, current and charge indicators
- **WHC-FIX2** Wheel chocks - Two fixed design
- **WHC-FOL2** Two foldable wheel chocks
- **WHCP-M** Wheel chock carrier position - Middle part of the vehicle
- **WHCP-R** Wheel chock carrier position - In the rear part of the vehicle
- **WHCP-T** Wheel chock carrier position - Outer luggage locker
- **SUP-BAS** Side guards - Check with bodybuilder chassis space requirements
- **CHAIN-S** Snow chains
- **HOOK-SC** Snow chain hooks
- **TOWF-HD1** Front towing device - One heavy-duty front towing device
- **RFEC-S** Rear frame profile - Straight cut
- **RFEC-U** Rear frame profile - Slight uppercut for tippers
- **TOWR-ONE** Towing hitch attached to rear crossmember
- **TBC-DUO** Trailer brake connections - Duomatic type
- **TBC-EC** Trailer brake connections - EC palm coupling connectors
- **TRBR-STA** Stationary trailer brake control
- **TRB-STRE** Stretch Brake - Automatic low speed trailer brake activation to avoid jack-knifing and improve steerability
- **RFEND-B** Rear mud wings - Three piece EC approved and spray flaps
- **RFEND-T** Rear mud wings - Temporary on drive axle for transport delivery only
- **RFH-BAS** Basic rear wing height
- **RFH-HIG** High rear wing height - higher wing tops
- **RFH-LOW** Lower rear wing height - shallower wing tops
- **BLIGHT-E** Emergency brake light

■ Standard Equipment □ Optional Equipment

For more detailed information about cab and powertrain equipment, please refer to separate specification sheets.

For all possible options and combinations of options please consult your Volvo sales contact who can create a specification to match your requirements using the Volvo Sales Support system (VSS).

The factory reserves the right to modify design and change equipment without previous notification. The specification can vary from country to country.

MODEL RANGE

NEW FMX Battery Electric 8x2 Rigid Pusher and Tag Tridem FMX 82RPTE

WHEELS & TYRES

- **RT-AL** Wheels - Howmet Alcoa brushed aluminium rims - standard holes for long stud fixing
- **RT-ALDP** Wheels - Howmet Alcoa Dura-Bright aluminium rims - standard holes for long stud fixing
- **RT-ALDPD** Wheels - Howmet Alcoa Dura-Bright EVO aluminium rims - countersunk holes for short stud fixing
- **RT-ALDU** Wheels - Howmet Alcoa brushed aluminium rims - countersunk holes for short stud fixing
- **SPWT-D** Spare wheel & tyre with rear tyre pattern
- **SPWT-F** Spare wheel & tyre with front tyre pattern
- **SWCP-R** Rear mounted spare wheel carrier
- **SWCP-T** Spare wheel supplied temporarily strapped to chassis
- **SWCP-TP** Temporary spare wheel carrier on top of chassis frame
- **JACK-12T** 12 tonne bottle jack
- **JACK-15T** 15 tonne bottle jack
- **JACK-20T** 20 tonne bottle jack

- **TOOL-BAS** Basic Toolkit
- **TOOLKIT** Complete tool kit
- **INFLAHOS** Tyre inflation hose
- **GAUGE-TP** Tyre pressure gauge

DRIVELINE EQUIPMENT

- **DRM-B** Drive mode - Balanced
- **DRM-BE** Drive mode - Balanced & Economy
- **PVT-MAP** I-See Predictive Cruise Control - using map-based topography information
- **EP400A** Electric Power Outlet Voltage - 400V AC
- **EPTC270** Electro-mechanical Power Take Off - Output 270 Nm - transport located on top of chassis behind cab
- **HPM-F101** Hydraulic pump - F1-101 for electrical motor, fixed displacement pump
- **HPM-F41** Hydraulic pump - F1-41 for electrical motor, fixed displacement pump
- **HPM-F51** Hydraulic pump - F1-51 for electrical motor, fixed displacement pump
- **HPM-F61** Hydraulic pump - F1-61 for electrical motor, fixed displacement pump
- **HPM-F81** Hydraulic pump - F1-81 for electrical motor, fixed displacement pump
- **HPM-T42** Hydraulic pump - F2-42/42 for electrical motor, twin flow displacement pump
- **HPM-T53** Hydraulic pump - F2-53/53 for electrical motor, twin flow displacement pump
- **HPM-T55** Hydraulic pump - F2-55/28 for electrical motor, twin flow displacement pump
- **HPM-T70** Hydraulic pump - F2-70/35 for electrical motor, twin flow displacement pump
- **HPM-V130** Hydraulic pump - VP1-130 for electrical motor, variable displacement pump.
- **HPM-V45** Hydraulic pump - VP1-45 for electrical motor, variable displacement pump.
- **HPM-V75** Hydraulic pump - VP1-75 for electrical motor, variable displacement pump.
- **HPM-V95** Hydraulic pump - VP1-95 for electrical motor, variable displacement pump.
- **PTR-D** Gearbox PTO for plug-in pump, 0.71xeng speed
- **PTR-DH** Gearbox driven high speed PTO for one plug-in hydraulic pump
- **PTR-DM** Gearbox driven medium speed PTO for one plug-in hydraulic pump
- **PTR-F** Gearbox driven PTO with rear flange connection
- **PTR-FH** Gearbox driven high speed PTO with SAE drive flange
- **PTR-FL** Gearbox driven low speed PTO with SAE drive flange
- **PTRD-D** Gearbox driven HIGH SPEED PTO for two plug-in hydraulic pumps
- **PTRD-D1** PTRD-D1 Gearbox driven HIGH SPEED PTO (1 SAE flange & 1 plug-in hydraulic pump)

- **PTRD-D2** Gearbox driven HIGH SPEED PTO (2 SAE flanges & 1 plug-in hyd pump)
- **PTRD-F** PTO with 1 DIN + 1 flange connection rear, manual gearbox
- **HPG-F101** Parker F1-101 gearbox mounted, fixed displacement, single flow, hydraulic pump
- **HPG-F41** Parker F1-41 gearbox mounted, fixed displacement, single flow, hydraulic pump
- **HPG-F51** Parker F1-51 gearbox mounted, fixed displacement, single flow, hydraulic pump
- **HPG-F61** Parker F1-61 gearbox mounted, fixed displacement, single flow, hydraulic pump
- **HPG-F81** Parker F1-81 gearbox mounted, fixed displacement, single flow, hydraulic pump
- **CRUIS-E** Eco cruise control (with eco-roll and I-cruise, controls in steering wheel)
- **STWPOS-L** Steering wheel position - LEFT-HAND DRIVE
- **STWPOS-R** Steering wheel position - RIGHT-HAND DRIVE
- **STWM-LE** Steering wheel - Leather
- **STGW-AD2** Steering wheel adjustment - Neck tilt, column height and angle
- **1DAYDIG4** Smart tachograph - Continental VDO 4.1 version 2 - legal demand from 21/08/2023
- **TAC-PK2** Tachograph prep Kit
- **ARSL** Additional road speed limit - switch in dashboard
- **ESP-BAS1** Electronic Stability Control ESC
- **ESPC-RO** Additional ESC functions - Reduced / Off
- **HWSS-AC** Forward collision warning with adaptive cruise control WITHOUT AEBS advanced emergency brake system
- **HWSS-ACB** Forward collision warning with adaptive cruise control and AEBS advanced emergency brake system
- **HWSS-FCB** Forward collision warning with AEBS advanced emergency brake system
- **LSS-DW** Lane departure-warning system
- **LSS-DW3** Lane departure warning system with pilot assist
- **LCS4** Side Collision Avoidance Support - passenger and driver side
- **DAS-W** Driver Alert Support system
- **RSENS-W** Rain sensing windscreen wipers
- **CU-ECC** Cab climate Unit - Electrically controlled air conditioning with sun sensor
- **CU-ECC2** Cab climate Unit - Electrically controlled air conditioning with a carbon filter, sun, mist, and air quality sensor
- **IMMOBIL** Thatcham H2 approved immobiliser
- **ALARM-E** Enhanced vehicle alarm - Thatcham H1 approved - Cab plus external sensor for body/trailer
- **ISUNS-BS** Side sun visor - Driver & passenger side
- **ISUNS-DS** Side sun visor - Driver-side
- **ISUNF-RE** Electrically operated textile interior sun blind
- **ISUNF-RM** Manually operated textile interior sun blind
- **ADFS** Two extra DIN slots in front shelf - can be fitted with card or drawer available as an accessory
- **BUPALARM** Reverse alarm
- **RTOLL-PK** Road toll PREPARATION kit for trucks operating with "Toll Collect" in Germany
- **LOADIND** Load indicator with central dashboard display
- **REMC-MF** Multi-functio wireless remote control
- **FIREXT3S** Fire extinguisher - 3kg mounted on the seat base
- **WARNVEST** High visibility warning vest - No sleeves
- **WARNTRI2** Roadside hazard warning triangle
- **AIDKIT** First aid kit - Legal demand for EU markets including delivery to EU bodybuilder

■ Standard Equipment □ Optional Equipment

For more detailed information about cab and powertrain equipment, please refer to separate specification sheets.

For all possible options and combinations of options please consult your Volvo sales contact who can create a specification to match your requirements using the Volvo Sales Support system (VSS).

The factory reserves the right to modify design and change equipment without previous notification. The specification can vary from country to country.

MODEL RANGE

NEW FMX Battery Electric 8x2 Rigid Pusher and Tag Tridem FMX 82RPTE

<input type="checkbox"/> AIDKIT1B	First aid kit - Legal demand for trucks transiting Germany	<input type="checkbox"/> RH-ER	Steel roof hatch - Electrically operated, rear opening with emergency exit
<input type="checkbox"/> WARNLAMP	Portable warning lamp	<input type="checkbox"/> RH-ETR	Tinted glass roof hatch - Electrically operated, rear opening with emergency exit
<input type="checkbox"/> LAMP-IN	Inspection lamp	<input type="checkbox"/> RH-MTR	Tinted glass roof hatch - Manually operated, rear opening with emergency exit
<input type="checkbox"/> BULBKIT	Bulb and fuse kit	<input checked="" type="checkbox"/> GLAS-TIN	Cab windows - Tinted
<input type="checkbox"/> WRITEPAD	Writing pad	<input type="checkbox"/> AWIND-RF	Rear window
<input checked="" type="checkbox"/> DST-CF4	Driver seat - Suspended, adjustable shock absorber, travel, backrest & lumbar controls with integrated seatbelt	<input type="checkbox"/> SWIND-BS	Cab side window - On both sides behind 'B' post
<input type="checkbox"/> DST-CF5	Driver seat - Suspended with adjustable shock absorber, travel, backrest, lumbar & heat controls with integrated seatbelt	<input type="checkbox"/> SWIND-PS	Cab side window - Left side behind 'B' post
<input type="checkbox"/> DST-CF6	Driver seat - Suspended with adjustable shock absorber, travel, backrest, lumbar, heat and ventilation controls with integrated seatbelt	<input type="checkbox"/> VANMIR	Vanity mirror - In front shelf
<input type="checkbox"/> SBD-RED	Seat belt colour - Red	<input type="checkbox"/> AS-FUS	Extra shelf in front compartments
<input type="checkbox"/> PST-BAS1	Passenger seat - Fixed non suspended fold up with seatbelt mounted on cab "B" post	<input type="checkbox"/> INFOT-PK	Preparation kit for the mounting of a flat screen TV in cab above the driver's door, includes bracket, electrical and speaker connections
<input type="checkbox"/> PST-CF4	Passenger seat - Suspended, adjustable shock absorber, travel, backrest & lumbar controls with integrated seatbelt	CAB EXTERIOR	
<input type="checkbox"/> PST-CF5	Passenger seat - Suspended with adjustable shock absorber, travel, backrest, lumbar & heat controls with integrated seatbelt	<input checked="" type="checkbox"/> EXTL-BAS	Basic exterior finish - Satin Volvo badges, grey grille, instep, bumper, bumper spoiler, grille, door handles mirror housing and sunvisor if specified.
<input checked="" type="checkbox"/> PST-STD2	Passenger seat - Fixed with backrest adjustment, non suspended with seatbelt mounted on cab "B" post	<input checked="" type="checkbox"/> BUMP-HD	Front bumper - Heavy duty
<input type="checkbox"/> PST-STD4	Passenger seat - Standard suspended with seatbelt mounted on cab "B" post	<input type="checkbox"/> CTILT-P-E	Electrically operated hydraulic cab tilt
<input type="checkbox"/> SBPRE-PS	Passenger seat belt pretensioner	<input checked="" type="checkbox"/> CTILT-P-M	Manually operated hydraulic cab tilt
<input type="checkbox"/> ARMRE-BB	Armrests - Two on both driver & passenger seats	<input type="checkbox"/> FCABS-A	Front cab suspension - Air
<input type="checkbox"/> ARMRE-DB	Armrests - Two on the driver seat	<input checked="" type="checkbox"/> FCABS-M	Front cab suspension - Mechanical spring
<input type="checkbox"/> ARMRE-PB	Armrests - Two on the passenger seat	<input type="checkbox"/> RCABS-A	Rear cab suspension - Air
<input type="checkbox"/> ARU-BAS	Armrest upholstery - Vinyl	<input checked="" type="checkbox"/> RCABS-M	Rear cab suspension - Mechanical spring
<input type="checkbox"/> ARU-LEA	Armrest upholstery - Leather	<input checked="" type="checkbox"/> MIRCFPCX	Mirrors - Electrically heated and operated - FMX- main and wide-angle with manually adjusted kerb view mirror on the passenger side and position camera in nearside mirror arm. To increase direct vision to the side the main mirrors have no cowlings
<input checked="" type="checkbox"/> FMAT-RUB	Footwell floor mats - Rubber	<input checked="" type="checkbox"/> AMIR-F20	Auxiliary front view mirror with a 200mm radius
<input type="checkbox"/> FMAT-TX2	Footwell floor mats - Two sets, Rubber and textile with an embossed pile supplied in the cab	<input type="checkbox"/> SUNV-H	External smoke grey sunvisor
<input type="checkbox"/> LBK70	Lower bunk 700 x2000 mm, fixed	<input type="checkbox"/> AD-ROOF	Cab roof deflector - Adjustable
<input type="checkbox"/> MATL-FI	Firm lower bunk pocket sprung mattress	<input type="checkbox"/> AD-SIDES	Cab side deflector - Short extension panels
<input type="checkbox"/> MATL-SF	Lower mattress - Flexi-zone semi-firm, pocket springs up to 100kg - 16 stone	<input type="checkbox"/> ADCF-F	Additional black edging on chassis side skirt
<input type="checkbox"/> OLMAT-BA	Mattress overlay protector - 35mm thick	<input checked="" type="checkbox"/> HL-LED	Headlights - LED
<input type="checkbox"/> OLMAT-PR	Mattress overlay protector - Premium 50mm thick	<input type="checkbox"/> HLP-ST	Headlight protection
<input type="checkbox"/> TBK60F	Top bunk - Fixed foldable 600 x 1900mm	<input type="checkbox"/> HLP-ST2	Mesh headlamp protection
<input type="checkbox"/> TBK70F	Top bunk - Fixed foldable 700 x 1900mm	<input checked="" type="checkbox"/> DRL-LED	Daytime running lights - V shaped
<input type="checkbox"/> SLCP-BAS	Sleeper control panel - Basic with switches for interior light, night heater, roof hatch and door lock	<input type="checkbox"/> ASL-RF2	Two Hella H11 70W spotlamps in sign box
<input type="checkbox"/> ETSB-F	Storage on engine tunnel - Central document box with two rear cup holders	<input type="checkbox"/> BEACOA2F	Roof beacons - Two front roof mounted amber LED
<input type="checkbox"/> ETSB-FR	Storage on engine tunnel - Central document box with two rear cup holders & open storage pocket on cab rear wall	<input type="checkbox"/> BEACOA2R	Roof beacons - Two rear roof mounted amber LED
<input type="checkbox"/> ETSB-R	Storage on engine tunnel - Open storage pocket on cab rear wall	<input type="checkbox"/> BEACON-P	Roof beacons - switch and wiring preparation only
<input type="checkbox"/> RUS-BAS	Rear cab upper storage - 300 mm high	<input type="checkbox"/> BEACONA4	Roof beacons - Four amber LED - two front/ two rear
<input type="checkbox"/> RUS-HIG	Rear cab upper storage - 440 mm high - volume 245 litres	<input type="checkbox"/> CABPT-R1	Single outlet for roof mounted accessories
<input type="checkbox"/> REF-ICPK	Fridge - Engine tunnel mounted preparation kit	<input checked="" type="checkbox"/> CABPT-R2	Twin outlets for roof mounted accessories.
<input type="checkbox"/> REFR-RUS	Fridge - 28 litre rear upper wall mounted with dividers	<input type="checkbox"/> SPOTP-F	Spotlamp preparation in front, max 280W
<input type="checkbox"/> MICRO-PK	Wiring preparation kit for microwave oven	<input type="checkbox"/> SPOTP-R	Spotlamp preparation on roof, max 280W
<input checked="" type="checkbox"/> BOTH-D	Bottle holder - One under dashboard centre section	<input type="checkbox"/> SPOTP-RF	Spotlamp preparation on cab roof and in cab front, max 2x280W
<input type="checkbox"/> COFMA-PK	Coffee maker - Preparation kit.	<input type="checkbox"/> ROS-IL	Globetrotter roof sign illuminated
<input checked="" type="checkbox"/> INLI-BAS	Interior light - White LEDs	<input type="checkbox"/> ROS-IL2	Preparation kit for illuminated roof sign with switch loose in cab, fit after registration
<input type="checkbox"/> INLI-NL	Interior light - White and red nightlight LEDs without dimmer	<input type="checkbox"/> ROS-ILP	Roof sign illumination preparation kit
<input type="checkbox"/> INLI-NLD	Interior light - White and red nightlight LEDs with dimmer	<input type="checkbox"/> CSGN-FMX	"Volvo FMX" headboard logo
<input type="checkbox"/> ARL-FLEX	Flexible reading lamps - Two "snake" type	<input checked="" type="checkbox"/> HORN-F1S	Horn - Air single tone - chassis mounted
<input checked="" type="checkbox"/> RH-EE	Fixed tinted glass sky window with emergency exit	<input type="checkbox"/> HORN-R2S	Horn - Air - Two roof-mounted

Standard Equipment

Optional Equipment

For more detailed information about cab and powertrain equipment, please refer to separate specification sheets.

For all possible options and combinations of options please consult your Volvo sales contact who can create a specification to match your requirements using the Volvo Sales Support system (VSS).

The factory reserves the right to modify design and change equipment without previous notification. The specification can vary from country to country.

MODEL RANGE

NEW FMX Battery Electric 8x2 Rigid Pusher and Tag Tridem FMX 82RPTE

- ANT-CBR** Roof mounted antenna for CB radio, single aerial. Only Globetrotter cabs brings in extra DIN slots.
- AESW2PK** 2 Body builder bistable el.switches (marked AUX1/AUX2) and prep. for 4 more switches
- ACCBBR-AP** Front, middle & rear roof mounted accessory brackets
- ACCBBR-F** Front roof mounted accessory bracket
- ACCBBR-FM** Front & middle roof mounted accessory brackets
- ACCBBR-FR** Front & rear roof mounted accessory brackets
- ACCBBR-M** Middle roof mounted accessory bracket
- ACCBBR-R** Rear roof mounted accessory bracket
- ACCBBR-RM** Rear & middle roof mounted accessory brackets
- REFS-TW** White cab conspicuity markings by packed in cab
- REFS-TY** Yellow cab conspicuity markings by packed in cab

SUPERSTRUCTURE PREPARATIONS

- SRWL-2RW** Chassis-mounted working lamps - Two white rear-mounted LED lamps and 3 position switch
- SRWL-PK** Chassis-mounted working lamps - Side work and reverse lamp preparation and 3 position switch - Max load 280W
- SWL-2FW** Chassis-mounted working lamps - Two white front-mounted LED lamps
- SWL-2RW** Chassis-mounted working lamps - Two white rear-mounted LED lamps
- SWL-4W** Chassis-mounted working lamps - Four white front and rear-mounted LED lamps
- SWL-PK** Chassis-mounted working lamps - Side work lamp preparation and 2 position switch - Max load 280W
- WLC-H2A** Two H3/70W working lamps with amber coloured lens high mounted back of cab
- WLC-H2W** Working lamp back of cab - Two white LED high mounted
- WLC-PKCH** Working lamp back of cab - Preparation kit - cables and switch
- WLC-PKH** Preparation kit, cables and switch for high mounted working lamps back of cab
- WLC-PKL** Preparation kit, cables and switch for low mounted working lamps back of cab
- WLC-PKLH** Preparation kit - cables and switch for low and high mounted working lamps back of cab.
- ECBB-BAS** Bodybuilder electrical centre without bodybuilder module
- ECBB-HIG** Bodybuilder module - High level body electrical centre in dash input/output module
- BBCHAS1** One 7-pole connector for Body builder interface
- BBCHAS3** Three 7-pole connectors for Body builder interface
- BEPR-T2** Body builder electrical software preparation for tipper with remote control
- EXSTER** External steering control - Volvo dynamic steering and bodybuilder module prepared for external control system, installed and computer by bodybuilder
- TD-BAS** Trailer detection WITHOUT LED sensing
- TD-LED** Trailer detection with LED sensing
- FBA-BTF** Lower front body attachments for torsionally flexible - platform body
- FBA-BTSF** Lower front body attachments for torsionally semi-flexible body - box or curtainsider
- HBA-FSFB** Holes for body attachments - flexible/semi-flexible body
- HBA-SB** Holes for body attachments - stiff body
- RBA-T2** Lower rear body attachments for helper frame
- CRANEPK1** Crane plates mounted to frame, for cranes up to 10 tonne metre capacity
- CRANEPK2** Crane plates mounted to frame, for cranes up to 20 tonne metre capacity
- CRANEPK4** Crane plates mounted to frame, for cranes up to 40 tonne metre capacity
- AUXL-SPK** Electrical preparation kit - wiring and switch for snow plough lights
- TAILPRE2** Tail lift preparation kit, wireless remote operation
- TAILPREP** Taillift preparation kit - cab switch and warning in driver display
- AESW2** Two Body builder bistable electrical switches (marked AUX1 / AUX2)

DELIVERY SERVICES

- FMS-PK** Fleet management system gateway - Required for aftermarket telematics
- DRUT1** Driver utility app - "My Truck" - 1 year subscription For mobile phone, tablet, with android and IOS systems. Only available with Volvo Connect subscription
- DRUT2** Driver utility app - "My Truck" - 2 year subscription For mobile phone, tablet, with android and IOS systems. Only available with Volvo Connect subscription
- DRUT3** Driver utility app - "My Truck" - 3 year subscription For mobile phone, tablet, with android and IOS systems. Only available with Volvo Connect subscription
- DRUT4** Driver utility app - "My Truck" - 4 year subscription For mobile phone, tablet, with android and IOS systems. Only available with Volvo Connect subscription
- DRUT5** Driver utility app - "My Truck" - 5 year subscription For mobile phone, tablet, with android and IOS systems. Only available with Volvo Connect subscription

Standard Equipment Optional Equipment

For more detailed information about cab and powertrain equipment, please refer to separate specification sheets.

For all possible options and combinations of options please consult your Volvo sales contact who can create a specification to match your requirements using the Volvo Sales Support system (VSS).

The factory reserves the right to modify design and change equipment without previous notification. The specification can vary from country to country.

MODEL RANGE

NEW FMX Battery Electric 8x2 Rigid Pusher and Tag Tridem FMX 82RPTE

Volvo Trucks. Driving Progress