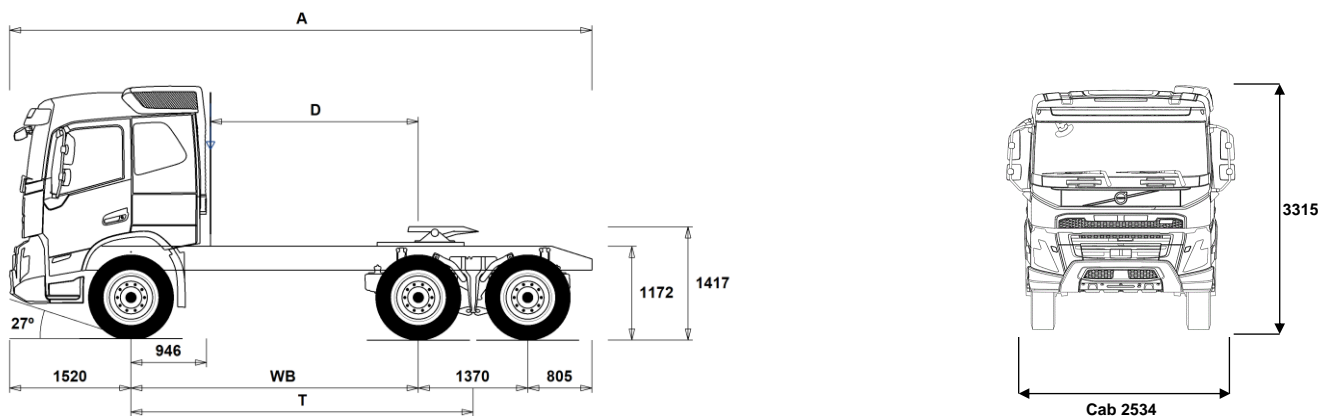


MODEL RANGE

FMX D11 66 Tractor all wheel drive rear air FMX 66T 1A



Chassis Dimensions [mm]

WB Wheelbase	3600	3700	3900
A Overall Chassis Length	7295	7395	7595
D Center of rear axle to back of cab	2604	2704	2904
T Theoretical Wheelbase	4285	4385	4585

Chassis Weights [kg]

Front Axle	5250	5255	5265
Rear Bogie	4680	4685	4695
Kerb Weight	9930	9940	9960

Turning Diameter [mm]

Turning Circle Diameter Kerb to Kerb	16100	16400	17100
Turning Circle Diameter Wall to Wall	17500	17800	18500

Plated Weights [kg]

Gross Vehicle Weight	34000
Gross Combination Weight	60000
Front Axle	8000
Rear Bogie	26000

Design

Gross Vehicle Weight	34000
Gross Combination Weight	60000
Front Axle	8000
Rear Bogie	26000

Important Notes

Chassis Dimensions

Cab Height: -16 mm for CAB-DAY, +312 mm for CAB-HSLP, -278 mm for CAB-LDAY, -278 mm for CAB-LSLP.

Front Axle to Back of Cab: -431 mm for CAB-DAY, -500 mm for CAB-LDAY, -6 mm for CAB-LSLP.

D-measure includes a front clearance of 50 mm and for rigid trucks also a subframe of 100 mm.

Height can vary ± 20 mm for leaf and ± 10 mm for air suspension.

All dimensions are for unladen chassis and any tag axles down.

Weight and dimensions are based upon the following tyres:

Front Axle Tyres:	315/80R22.5
Drive Axle Tyres:	315/80R22.5

Chassis weight includes oil, water, AdBlue, 0 litres fuel and without driver. Kerb weight can vary ± 3%.

Turning diameters are theoretically calculated.

Legal weights can differ from country to country.

For more detailed weight information, including optional equipment weights, ask your Volvo sales contact to enter your specification into the Volvo Weight Information system (WIS).

Do NOT use this drawing for bodybuilding. Refer to Volvo Bodybuilder Instructions and chassis assembly drawing FMX66T1A.

MODEL RANGE

FMX D11 66 Tractor all wheel drive rear air FMX 66T 1A

Core components

- **RADD-G2** Rear air suspension, 2 axles - 2 driven, high ground clearance
- **FMX-DAY5** FMX Day cab
- **FMX-HSL5** FMX Globetrotter sleeper cab
- **FMX-LDA5** FMX Low Day cab
- **FMX-LSL5** FMX Low sleeper cab
- **FMX-SLP5** FMX Sleeper cab
- **EU6SCR** Euro 6 emission level with Selective Catalytic Reduction (SCR), particulate filter and Exhaust Gas Recirculation (EGR)
- **D11S330A** New: Diesel engine, 10.8 litre Euro 6 SCR + EGR (Diesel particulate filter), 330 hp, 1600 Nm
- **D11S380A** New: Diesel engine, 10.8 litre Euro 6 SCR + EGR (Diesel particulate filter), 380 hp, 1800 Nm
- **D11S430A** New: Diesel engine, 10.8 litre Euro 6 SCR + EGR (Diesel Particulate Filter), 430 hp, 2050 Nm
- **D11S460A** New: Diesel engine, 10.8 litre Euro 6 SCR + EGR (Diesel Particulate Filter), 460 hp, 2200 Nm
- **D11C330** Diesel engine, 10.8 litre Euro 4/5 SCR, 330 hp, 1600 Nm
- **D11C370** Diesel engine, 10.8 litre Euro 4/5 SCR, 370 hp, 1750 Nm
- **D11C410** Diesel engine, 10.8 litre Euro 4/5 SCR, 410 hp, 1950 Nm
- **D11C450** Diesel engine, 10.8 litre Euro 4/5 SCR, 450 hp, 2150 Nm
- **D11K330** Diesel engine, 10.8 litre Euro 6 SCR + EGR (Diesel particulate filter), 330 hp, 1600 Nm
- **D11K380** Diesel engine, 10.8 litre Euro 6 SCR + EGR (Diesel particulate filter), 380 hp, 1800 Nm
- **D11K430** Diesel engine, 10.8 litre Euro 6 SCR + EGR (Diesel Particulate Filter), 430 hp, 2050 Nm
- **D11K460** Diesel engine, 10.8 litre Euro 6 SCR + EGR (Diesel Particulate Filter), 460 hp, 2200 Nm
- **EBR-EPG** Engine brake with exhaust pressure governor, EPG
- **EBR-EPGC** Exhaust pressure governor with Volvo compression brake
- **EBR-VEB** Volvo Engine Brake, VEB (compression brake with exhaust pressure governor, EPG)
- **AT2612** I-Shift automated mechanical 12-speed gearbox without clutch pedal, max. engine torque 2600 Nm, max.
- **AT2612F** I-Shift automated mechanical 12-speed gearbox without clutch pedal, max. engine torque 2600 Nm, max. permitted GCW 100000 kg.
- **ATO2612** I-Shift automated mechanical 12-speed overdrive gearbox without clutch, max. engine torque 2600 Nm, max. Suitable for hub reduction rear axles.
- **ATO2612F** I-Shift automated mechanical 12-speed overdrive gearbox without clutch, max. engine torque 2600 Nm, max. permitted GCW 100000 kg. Suitable for hub reduction rear axles.
- **PT2106** Powertronic automatic 6-speed gearbox, max. engine torque 2100 Nm, max. permitted GCW 100000 kg
- **RTH2610B** Rear hub reduction tandem axles - bogie load 26 tonnes, GCW 100 tonnes, 4 planet gears
- **RTH2610F** Rear hub reduction tandem axles - bogie load 26 tonnes, GCW 100 tonnes, version F

Packages

- **DRIVE5** Driving package
- **DRIVE5+** Driving plus package
- **DRIVE5++** Driving plus/plus package
- **1LIVINFM** Living package 1 person
- **2LIVINFM** Living package 2 persons
- **INFOBAS** Information package, basic
- **INFODF** Information package prepared for Dynafleet vehicle onboard support
- **INFOMED** Information package, medium
- **INFONAV** Information package with Navigation support
- **INFONDF** Information package with Navigation support and prepared for Dynafleet vehicle onboard support
- **VISIX5** Visibility package FMX
- **VISIXCAM**
- **GSR2024** General safety regulations 2024

- **OFFROADD** Construction package for FM/FMX day cab
- **OFFROADS** Construction package for sleeper cabs

Chassis

- **FST-PAR3** 3 leaf front parabolic suspension (stiffer than normal)
- **FAL10.0** Front axle load 10.0 tonnes
- **FAL8.0** Front axle load 8.0 tonnes
- **FAL9.0** Front axle load 9.0 tonnes
- **FSTAB** Front stabilizer with normal stiffness
- **RAL26** Rear axles load 26 tonnes
- **RSTAB1** Rear stabilizer with normal stiffness
- **RSTAB3** Rear stiff stabilizer
- **RALIM105** First rear drive axle load limiter, 10.5 tonnes (speed controlled)
- **RALIM115** First rear drive axle load limiter, 11.5 tonnes (speed controlled)
- **RALIM13** First rear drive axle load limiter, 13 tonnes
- **RALIM95** First rear drive axle load limiter, 9.5 tonnes
- **ASF-DL1** Air suspension with 1 driving level
- **ASF-DL3** Air suspension with 3 driving levels
- **PSP-FIX** Power steering pump with fixed displacement
- **PSP-VAR** Power steering pump with variable displacement
- **EBS-MED** EBS (Electronic Brake System) medium package:
 - ABS (Anti-lock Braking System)
 - Lining Wear Sensing (20 % left)
 - Lining Wear Control (incl. wear on the axle)
 - Brake Blending
 - Drag Torque Control
 - Diff Lock Synchronization
 - Diff lock Control
 - Brake Temperature Warning
 - External Brake Demand
 - Diagnosis Via Truck Electronic System
 - Traction Control System
 - Emergency Brake Assistance
 - Constant Wheel Brake Monitoring
 - Coupling Force Control
 - Automatic Parking Brake Activation
 - Lining Wear Analyses (calc of remaining mileage)
 - Auto hold
 - EBS status monitoring via Truck Electronic System
- **EBS-STD** EBS (Electronic Brake System) standard package:
 - ABS (Anti-lock Braking System)
 - Lining Wear Sensing (20 % left)
 - Lining Wear Control (incl. wear on the axle)
 - Brake Blending
 - Drag Torque Control
 - Diff Lock Synchronization
 - Diff lock Control
 - Brake Temperature Warning
 - External Brake Demand
 - Diagnosis Via Truck Electronic System
 - Traction Control System
 - Emergency Brake Assistance
 - Constant Wheel Brake Monitoring
 - Coupling Force Control
 - Automatic Parking Brake Activation
- **AUXPARK** Two extra parking brake chambers
- **RST-AIR** Rear air suspension
- **FRAME300** Frame rail section external height 300 mm
- **FST8080** Frame section thickness - web 8.0 mm / flange 8.0 mm
- **FIL-EEEB** Frame inner liner from end of engine end to end of bogie
- **FIL-TXEB** Frame inner liner from transmission cross member to end of bogie
- **BBOX-L** Battery box on left hand side
- **2BAT210B** Gel batteries 2x210 Ah
- **2BAT210C** AGM batteries 2x210 Ah
- **BATTAMP** Battery voltage and ampere gauge

■ Standard Equipment □ Optional Equipment

For more detailed information about cab and powertrain equipment, please refer to separate specification sheets.

For all possible options and combinations of options please consult your Volvo sales contact who can create a specification to match your requirements using the Volvo Sales Support system (VSS).

The factory reserves the right to modify design and change equipment without previous notification. The specification can vary from country to country.

MODEL RANGE

FMX D11 66 Tractor all wheel drive rear air FMX 66T 1A

<ul style="list-style-type: none"> <input type="checkbox"/> BATTIND Battery voltage, ampere and battery status gauge with visual alerts ■ MSWI-C Chassis main switch - battery box placed toggle switch circuit shut down <input type="checkbox"/> MSWI-R Remote controlled main switch - key fob operated circuit shut down ■ R315A56 Right 315 litre aluminium 560 mm high D-shaped diesel tank. Usable volume is 97% of stated volume. Min volume 255l Max volume 630l <input type="checkbox"/> ADTP-BC AdBlue tank behind/under cab on right hand side <input type="checkbox"/> ADTP-L AdBlue tank on left hand side (for dual front axles between the axles) ■ ADTP-R AdBlue tank on right hand side ■ ADB048 AdBlue tank usable volume 48 litres, 560 mm high mounted on chassi side. <input type="checkbox"/> ADB050 AdBlue tank usable volume 50 litres, mounted behind cab. <input type="checkbox"/> ADB064 AdBlue tank usable volume 64 litres, 710 mm high mounted on chassi side. <input type="checkbox"/> ADB068 AdBlue tank usable volume 68 litres, 560 mm high mounted on chassi side. <input type="checkbox"/> ADB083 AdBlue tank usable volume 83 litres, 560 mm high mounted on chassi side. <input type="checkbox"/> ADB090 AdBlue tank usable volume 90 litres, 710 mm high mounted on chassi side. <input type="checkbox"/> ADB112 AdBlue tank usable volume 112 litres, 710 mm high mounted on chassi side. ■ FCAP-L The variant includes two or three lockable caps, one or two for the fuel tank(s) and one for the AdBlue tank, and two keys that fit all tank locks (not cab door locks). The number of fuel tank caps are depending of how many fuel tanks that are specified. ■ FUFF-AS Fuel filling anti-spillage device ■ FUFF-ATS Fuel filling anti-theft and anti-spillage devices ■ ESH-REAR Horizontal muffler, rear exhaust outlet <input type="checkbox"/> ESH-VERT Horizontal muffler, vertical exhaust outlet on right hand side <input type="checkbox"/> ESV-VERT Vertical muffler, vertical exhaust outlet on right hand side <input type="checkbox"/> EXST-SSP Bright polished vertical stainless steel exhaust top pipe <input type="checkbox"/> EXST-ST Aluminized steel vertical exhaust top pipe ■ WHC-FIX2 Two fixed wheel chocks ■ WHC-FOL2 2 foldable wheel chocks ■ WHCP-F Wheel chock(s) in the front part of the vehicle. <ul style="list-style-type: none"> - TRACTOR, BBOX-L, Fold, 1/2 w chocks = Top of left side battery box - TRACTOR, BBOX-EF, Fold, 1/2 w chocks = Top of lefts side fuel tank - TRACTOR, BBOX-EF, Fix, 2 w chocks = Left frame front of fuel tank - RIGID, 1 front axle, Fold, 1/2 w chocks = Top of left side battery box - RIGID, 2 front axles, Fold, Frame free space, 2 wc = Top of left side battery box - RIGID, 2 front axles, Fix, W/o frame free space, 2 wc = Left frame behind 1st front wheel <input type="checkbox"/> WHCP-M Wheel chock(s) in the middle part of the vehicle <ul style="list-style-type: none"> - TRACTOR, BBOX-L, Fix, 1/2 w chocks = Left frame front of rear wheels - RIGID, 1 front axle, Fix, 1/2 w chocks = Left frame front of (or behind) rear wheels <input type="checkbox"/> WHCP-T Transport mounted wheel chock(s) in cab outer luggage compartment <input type="checkbox"/> TB-R80 Right toolbox 800 mm length (mounting length 800 mm, real length 730 mm) <input type="checkbox"/> CHAIN-S The non-skid chains are on economical safety accessory that provides good grip owing to its square profile and S-shaped pattern. They are made of micro-alloy manganese steel and 	<ul style="list-style-type: none"> <input type="checkbox"/> HOOK-SC The galvanised steel hooks are a practical solution developed to store the snow chains. For Rigid's there are two hooks attached in pre-punched holes on each side of the frame rail side of the rear frame overhang. On Tractors, two hooks are mounted in an existing hole pattern on the end of the rear frame overhang and a protection shield prevents the air tank from being damaged by the snow chains. The hooks will protrude approximately 200 mm behind the chassis frame end. The weight increase for the four hooks on Rigid's is approximately 3.5 kg and for Tractors with protection shield it is approximately 3 kg ■ TOWF-HD1 One heavy duty front towing device ■ RFEC-B Rear frame end, bent (standard for tractor vehicles) <input type="checkbox"/> TOWR-ONE One rear towing device in frame end cross member ■ TREL15 15 pol electrical trailer connector (ADR certified) ■ TREL7-7 2x7 pol (24N+24S) electrical trailer connectors (UADR) ■ TBC-EC Trailer brake connection, European Community ■ TRBR-STA Stationary trailer brake control <input type="checkbox"/> TRB-STRE Automatic low speed trailer brake activation (stretch brake) to avoid jack-knifing and to improve steerability <input type="checkbox"/> RFEND-B The fenders have a robust three-piece design with a top part that can easily be removed (no tools required) facilitating access for body building and service. The fenders are manufactured from black plastic and received in different performance to suit chassis height and tyre dimension. The fender design fulfils the technical requirements of current EU directive. <input type="checkbox"/> RFH-BAS Optimal fender installation (rear and 2nd front axle) with regard to legal demands, wheel/tyre sizes, chassis height and fifth wheel height. <input type="checkbox"/> RFH-HIG Highest fender installation (rear and 2nd front axle). Suitable for rough and very rough road conditions. <input type="checkbox"/> RFH-LOW Lower fender installation (rear and 2nd front axle). Suitable only for smooth road conditions. Increased risk of fender top wear. <input type="checkbox"/> TL-LED The LED tail lamp has all functions integrated in the lamp housing: Tail light, exterior marker light, brake light, hazard warning, reverse light, rear fog light and reflector. All light functions have LED (Light Emitting Diode) lights, which means very low energy consumption. LED lamps are insensitive to vibration and have a very long operating life. They shine with the same high intensity throughout their lifetime. ■ BLIGHT-E Flashing brake lights will automatically activate in emergency braking. The flashing frequency is 4 Hz and emergency braking is detected if speed exceeds 50km/h and retardation is 4 m/s² or more. The function deactivates when retardation is less than 2.5 m/s². <ul style="list-style-type: none"> - Easier for road users to detect emergency braking. - Contributes to safety in congested traffic
---	---

Rims and Tyres

- **RT-STEEL** Steel rims on all axles
- SPWT-D** Spare wheel with tyre equal to drive
- SPWT-F** Spare wheel with tyre equal to front wheel
- SWCP-T** Plastic strips strapped to the chassis are used as a temporary spare wheel carrier. Note that the mounting only is temporary and used during transportation.
- SWCP-TP** Plastic strips strapped to the chassis are used as a temporary

■ Standard Equipment □ Optional Equipment

For more detailed information about cab and powertrain equipment, please refer to separate specification sheets.

For all possible options and combinations of options please consult your Volvo sales contact who can create a specification to match your requirements using the Volvo Sales Support system (VSS).

The factory reserves the right to modify design and change equipment without previous notification. The specification can vary from country to country.

MODEL RANGE

FMX D11 66 Tractor all wheel drive rear air FMX 66T 1A

<p>spare wheel carrier. Note that the mounting only is temporary and used during transportation. An ordinary spare wheel carrier is also included. This carrier is transport mounted on top of the temporarily chassis frame strapped spare wheel.</p> <p>■ JACK-20T The hydraulic jack has a capacity of 20 tonnes and its low manual pumping force facilitates use in uncomfortable positions. It has a release valve, which permits safe, easy and precise control over rate of lowering and a filter in the oil reservoir gives protection from contamination. The jack has a minimum height of 190 mm and a maximum height of 325 mm. Weight: 11.5 kg</p> <p>■ TOOL-BAS This kit consists of a tool bag (case) including the following tools:</p> <ul style="list-style-type: none"> • Combination screwdriver. - 1 screwdriver handle - 1 blade, Philips/flat blade - 1 blade, Torx T10/Torx T20 - 1 blade, Torx T25/Torx T27 - 1 blade, Torx T30/Torx T40 • Socket wrench. <p>□ TOOLKIT This kit consists of a tool bag (case) including the following tools:</p> <ul style="list-style-type: none"> • Combination screwdriver. - 1 screwdriver handle - 1 blade, Philips/flat blade - 1 blade, Torx T10/Torx T20 - 1 blade, Torx T25/Torx T27 - 1 blade, Torx T30/Torx T40 • Socket wrench. • Adjustable pliers. • Allen key. • Adjustable spanner. • Hammer. <p>■ INFLAHOS The tyre inflation hose is a 18 meter long air hose made of high quality rubber and equipped with nozzles on both ends. It can be used for filling air into a tyre by connecting the hose to an air tank valve on the truck. The tyre inflation hose is stored in the cab compartment for clean and easy access, either in the external luggage compartment (sleeper cab) or behind the seat (day cab).</p> <p>□ GAUGE-TP Tyre pressure gauge</p>	<p>□ TC-MAOH2 Extra high performance cooler for manual/l-shift gearboxes - air/oil</p> <p>■ TC-MWOH2 High performance cooler for manual/l-Shift gearboxes - water/oil</p> <p>□ 2COM1100 Dual cylinder air compressor 760 cc / 1100 l/min</p> <p>■ 2COMP870 Dual cylinder/two stage air compressor - 560 cc</p> <p>□ 2COMP900 Dual cylinder air compressor - 636 cc</p> <p>□ CLU-AIRC Air compressor clutch automatically declutched when not needed in order to save fuel</p> <p>■ AIRIN-HI High air intake</p> <p>■ AIRIN-LO Low air intake</p> <p>□ ACL1ST-S Air cleaner with additional filter element (primary + secondary)</p> <p>■ 24A110BL Alternator 110 Ampere</p> <p>□ 24A150BL Alternator 150 Ampere</p> <p>□ 24AL110B Alternator 110 Ampere</p> <p>□ 24AL150B Alternator 150 Ampere</p> <p>□ CCV-C Closed crankcase ventilation</p> <p>□ CCV-O Open crankcase ventilation</p> <p>□ PRIM-EL An electrical fuel priming pump is available for the D11 and D13 Euro 6 engines. The pump makes it faster and easier to bleed the fuel system in the case of running low on fuel or other problems with the fuel system. The priming pump is included in the fuel filter housing.</p> <p>■ PRIM-MAN An electrical fuel priming pump is available for the D11 and D13 Euro 6 engines. The pump makes it faster and easier to bleed the fuel system in the case of running low on fuel or other problems with the fuel system. The priming pump is included in the fuel filter housing.</p> <p>□ AF-R Hot fuel recirculation heated fuel filter</p> <p>■ EST-AID Engine start pre-heating element</p> <p>□ 220EBH15 Engine block heater, 220 volt, 1.5 kW</p> <p>□ PTER-100 Rear engine mounted clutch independent power-take-off with flange connection (DIN 100 / ISO 7646)</p> <p>□ PTER-DIN Rear engine mounted clutch independent PTO with splined shaft groove (female) for a close coupled pump (DIN 5462 / ISO 7653)</p> <p>□ PTER1400 Rear engine mounted clutch independent power-take-off with flange connection (SAE 1410 / ISO 7647)</p> <p>□ HPE-F101 Rear engine mounted hydraulic pump F1-101, fixed displacement, single flow</p> <p>□ HPE-F41 Rear engine mounted hydraulic pump F1-41, fixed displacement, single flow</p> <p>□ HPE-F51 Rear engine mounted hydraulic pump F1-51, fixed displacement, single flow</p> <p>□ HPE-F61 Rear engine mounted hydraulic pump F1-61, fixed displacement, single flow</p> <p>□ HPE-F81 Rear engine mounted hydraulic pump F1-81, fixed displacement, single flow</p> <p>□ HPE-T53 Rear engine mounted hydraulic pump F2-53/53, fixed displacement, twin flow</p> <p>□ HPE-T70 Rear engine mounted hydraulic pump F2-70/35, fixed displacement, twin flow</p> <p>□ HPE-V45 Rear engine mounted hydraulic pump VP1-45, variable displacement, single flow</p> <p>□ HPE-V75 Rear engine mounted hydraulic pump VP1-75, variable displacement, single flow</p> <p>□ PTPT-D Automatic gearbox driven power take-off, 1 front/upper connection (DIN 5462 / ISO 7653) for plug-in pump (max. 850 Nm).</p> <p>□ PTPT-F Automatic gearbox driven Power take-off, 1 front/upper rear facing flange connection (SAE 1410 / ISO 7647) for propeller shaft (max. 850 Nm).</p> <p>□ PTR-D Mechanical gearbox driven low speed power take-off, 1 rear connection (DIN 5462 / ISO 7653) for plug-in pump (max. 1000 Nm).</p> <p>□ PTR-DH Mechanical gearbox driven high speed power take-off, 1 rear connection (DIN 5462 / ISO 7653) for plug-in pump (max. 600 Nm).</p>
<p>■ Standard Equipment □ Optional Equipment</p>	

For more detailed information about cab and powertrain equipment, please refer to separate specification sheets.

For all possible options and combinations of options please consult your Volvo sales contact who can create a specification to match your requirements using the Volvo Sales Support system (VSS).

The factory reserves the right to modify design and change equipment without previous notification. The specification can vary from country to country.

MODEL RANGE

FMX D11 66 Tractor all wheel drive rear air FMX 66T 1A

<input type="checkbox"/> PTR-DM	Mechanical gearbox driven medium speed power take-off, 1 rear connection (DIN 5462 / ISO 7653) for plug-in pump (max. 600 Nm).	<input type="checkbox"/> LCS4	Side Collision Avoidance Support, passenger and driver side
<input type="checkbox"/> PTR-F	Mechanical gearbox driven low speed power take-off, 1 rear flange connection (SAE 1410 / ISO 7647) for propeller shaft (max. 1000 Nm).	<input type="checkbox"/> DAS-W	Driver Alert Support (drowsy driver warning)
<input type="checkbox"/> PTRD-D	Mechanical gearbox driven high speed power take-off, 1 rear and 1 front connections (DIN 5462 / ISO 7653) for plug-in pumps (max. 870 Nm).	<input type="checkbox"/> RSENS-W	Wiper rain sensor
<input type="checkbox"/> PTRD-D1	Mechanical gearbox driven high speed power take-off, 1 rear flange connection (SAE 1410 / ISO 7647) for propeller shaft / 1 front connection (DIN 5462 / ISO 7653) for plug-in pump (max. 870 Nm).	<input type="checkbox"/> CU-ECC	Fully electrically controlled air conditioning with sun sensor
<input type="checkbox"/> PTRD-D2	Mechanical gearbox driven power take-off, 2 rear flange (high-low speed) connections (SAE 1310/1410 / ISO 7647) for propeller shafts / 1 front (high speed) connection (DIN 5462 / ISO 7653) for plug-in pump (max. 870/1000 Nm).	<input type="checkbox"/> CU-ECC2	Fully electrically controlled air conditioning with sun sensor, mist sensor, air quality sensor and carbon filter
<input type="checkbox"/> HPG-F101	Gearbox mounted hydraulic pump F1-101, fixed displacement, single flow	<input checked="" type="checkbox"/> CU-MCC	Electrical manually controlled air conditioning
<input type="checkbox"/> HPG-F41	Gearbox mounted hydraulic pump F1-41, fixed displacement, single flow	<input checked="" type="checkbox"/> IMMOBIL	Immobiliser
<input type="checkbox"/> HPG-F51	Gearbox mounted hydraulic pump F1-51, fixed displacement, single flow	<input type="checkbox"/> ALARM-E	Burglar alarm - cab/body/trailer
<input type="checkbox"/> HPG-F61	Gearbox mounted hydraulic pump F1-61, fixed displacement, single flow	<input type="checkbox"/> PHONE-PK	Telephone preparation kit (antenna, antenna attachment, cable from antenna to radio shelf).
<input type="checkbox"/> HPG-F81	Gearbox mounted hydraulic pump F1-81, fixed displacement, single flow	<input type="checkbox"/> ISUNS-BS	Manually manoeuvred side interior sun visor (roller blind type) on both sides
Cab Interior, Driving		<input checked="" type="checkbox"/> ISUNS-DS	Manually manoeuvred side interior sun visor (roller blind type) on driver side
<input checked="" type="checkbox"/> STWPOS-L	Left hand drive	<input type="checkbox"/> ISUNF-B	Interior front plastic sun visors (driver and passenger side) without mirror on driver side
<input type="checkbox"/> STWM-LE	Leather steering wheel	<input type="checkbox"/> ISUNF-MD	Interior front plastic sun visors (driver and passenger side) with mirror on driver side
<input type="checkbox"/> STGW-AD2	Mechanically adjustable steering wheel with neck tilt	<input type="checkbox"/> ISUNF-RE	Electrical textile interior sun visor (roller blind) integrated in front shelf
<input type="checkbox"/> AIRBAG	Airbag on driver side	<input checked="" type="checkbox"/> ISUNF-RM	Manual interior textile sun visor (roller-blind) integrated in front shelf
<input type="checkbox"/> INST-BAS	24-HDV - Instrumentation, high performance 12" fully dynamic instrument cluster. CLASS-HDV - Basic level instrument cluster - 4 inch monochrome display 240x320 pix	<input type="checkbox"/> ADFS	Two extra DIN slots in front shelf (push/pull storage), 165x40x180 mm (WxHxD)
<input type="checkbox"/> DRC-AMII	Regeneration control of diesel filter particulates - auto initiation / manual on demand / manual inhibition	<input type="checkbox"/> BUPALARM	Reversing warning unit (back-up alarm)
<input checked="" type="checkbox"/> DRC-AUTO	Regeneration control of diesel filter particulates - fully automatic (in motion)	<input type="checkbox"/> RTOLL-PK	Preparation kit for road toll collect (GPS/GSM antenna and cables)
<input type="checkbox"/> 1DAYDIG2	Gen 2 one day digital tachograph, EC approved	<input type="checkbox"/> LOADIND	Load indicator with dashboard display. Measures axle pressures, load weight and total weight of truck and one trailer.
<input checked="" type="checkbox"/> 1DAYDIG4	Gen 4 one day digital tachograph, EC approved	<input type="checkbox"/> REMC-MF	Wireless remote control - multi functional
<input type="checkbox"/> ARSL	Additional road speed limiter (switch in dashboard) The additional road speed limiter allows the driver to define a temporary speed limit for the truck. This is a useful feature when entering a low-speed area. The driver activates the additional speed limiter by pressing a switch on the instrument panel and the current speed becomes the limit. The speed limiter is deactivated by pressing the switch and releasing the accelerator, lifting off to below 20% engagement.	<input type="checkbox"/> FIREXT2G	The fire extinguisher is an important part of the safety equipment. It is extremely reliable, has a high capacity and withstands temperatures down to -30°C. The fire extinguisher manages to extinguish fires in electrical systems and brakes. It is located on the driver side*, beside the seat, which makes it easy to reach in case of an accident. The placement of the fire extinguisher may vary depending on the specification, but it is always easily reachable by the driver.
<input type="checkbox"/> ESP-BAS1	Electronic Stability Program package intended for RIGID single vehicles or vehicle combinations with standard centre of gravity height when laden and for TRACTOR vehicle combinations with a single trailer or multiple trailers with ABS/EBS.	<input type="checkbox"/> FIREXT3S	The fire extinguisher is an important part of the safety equipment. It is extremely reliable, has a high capacity and withstands temperatures down to -30°C. The fire extinguisher manages to extinguish fires in electrical systems and brakes. It is located on the driver side*, beside the seat, which makes it easy to reach in case of an accident. The placement of the fire extinguisher may vary depending on the specification, but it is always easily reachable by the driver.
<input type="checkbox"/> ESPC-RO	ESP (Electronic Stability Program) functionality control - Reduced / Off	<input type="checkbox"/> WARNVEST	The reflective vest makes a person clearly visible during work near a vehicle when it is dark or during other occasions when it is difficult to observe a person. It is made of yellow fluorescent textile, 100 % polyester, and it features two 50 mm wide reflective strips at the front and back. The reflective material is resistant to fuel and oil and works well in both wet and dry weather. The vest is stored in a plastic bag and it is washable at 40°C. Fulfils European standard according to EN 471 class 2.
<input type="checkbox"/> HWSS-AC	Adaptive cruise control with forward collision warning	<input checked="" type="checkbox"/> WARNTRI2	Warning triangles are an important safety detail. They offer extra security in the event of an unplanned stop at the roadside, when they alert other road users to be careful and
<input type="checkbox"/> HWSS-ACB	Adaptive cruise control with forward collision warning (stationary and moving objects) and emergency braking. Using both radar and camera to collect info.		
<input type="checkbox"/> HWSS-FCB	Forward collision warning (stationary and moving objects) with emergency braking		
<input type="checkbox"/> LSS-DW	Lane keeping support - lane departure warning system		

Standard Equipment

Optional Equipment

For more detailed information about cab and powertrain equipment, please refer to separate specification sheets.

For all possible options and combinations of options please consult your Volvo sales contact who can create a specification to match your requirements using the Volvo Sales Support system (VSS).

The factory reserves the right to modify design and change equipment without previous notification. The specification can vary from country to country.

MODEL RANGE

FMX D11 66 Tractor all wheel drive rear air FMX 66T 1A

<p>slow down in the area. Two triangles give the opportunity to observe vehicles in both direction, one to be positioned ahead of the truck and the second one behind. The two triangles are delivered in the tool box behind left seat, stripes for tool bag or on the left shelf luggage compartment</p> <p>■ AIDKIT The first-aid kit features a well thought-out assortment of emergency treatment products for both minor and severe injuries:</p> <ul style="list-style-type: none"> • 1 first-aid instruction • 1 pair of scissors • 2 triangular bandage, unbleached cotton cloth • 2 pairs of protective gloves (large) • 3 gauze bandages 80×4000 mm • 2 gauze bandages 60×4000 mm • 1 bandaging cloth 600×800 mm • 2 bandaging cloths 400×600 mm • 6 gauze dressings 100×100 mm (3×2) • 1 adhesive bandage 60×100 mm • 1 adhesive tape 25×5000 mm • 1 first-aid packet 100×120 mm • 3 first-aid packets 80×100 mm • 1 rescue sheet 1600×2100 mm (gold/silver) <p>□ AIDKIT1B First aid kit containing sticking plaster, compresses, elastic bandages, gloves, scissors, triangular bandage, bandaging cloths, adhesive tape and rescue sheet (German requirements)</p> <p>□ WARNLAMP Portable warning lamp with batteries</p> <p>□ LAMP-IN The inspection lamp is a device that is used to illuminate repairing areas during night or when the day light is not enough. It has a plug for connection into the lighter socket. The length of the electrical cable is 10 meters. The lamp is stored in a storage compartment on driver</p> <p>□ BULBKIT Bulb and fuse kit</p> <p>□ WRITEPAD Writing pad with spring-loaded paper clip</p> <p>Cab Interior, Living</p> <p>■ DST-CF1 Driver seat, comfort, suspended</p> <p>□ DST-CF4 Driver seat, comfort, suspended, belt in seat</p> <p>□ DST-CF5 Driver seat, comfort, suspended, belt in seat, electrically heated</p> <p>□ DST-CF6 Driver seat, comfort, suspended, belt in seat, electrically heated, ventilated</p> <p>□ SBD-RED A three-point safety belt is the most effective system to reduce the risk of injuries in a traffic accident. The belts keep the driver and the passenger in position and catch the body in the best possible way in case of a collision. The red coloured safety belt improves and increases the safety image for transport companies, when it thanks to the clear colour is noticed and thereby distributes good reputation.</p> <p>□ SBPRE-DS Driver seat belt pretensioner</p> <p>□ PST-BAS1 Passenger seat, basic, non suspended</p> <p>□ PST-CF4 Passenger seat, comfort, suspended, belt in seat</p> <p>□ PST-CF5 Passenger seat, comfort, suspended, belt in seat, electrically heated</p> <p>□ SBPRE-PS Passenger seat belt pretensioner</p> <p>□ ARMRE-BB Two armrests on both driver and passenger seats</p> <p>□ ARMRE-DB Two armrests on driver seat</p> <p>□ ARMRE-PB Two armrests on passenger seat</p> <p>□ ARU-BAS Vinyl armrest upholstery</p> <p>□ ARU-LEA Leather armrest upholstery</p> <p>■ FMAT-RUB Two black rubber floor mats</p> <p>□ FMAT-TX2 Two textile (dark grey on FH/FM, black on FH16) and two black rubber floor mats</p> <p>■ LBK70 Lower fixed bunk, not foldable - 2000×700 mm. Safety net included.</p> <p>□ MATL-FI Mattress lower bunk - firm for over approx. 100 kg, pocket springs.</p>	<p>■ MATL-SF Mattress lower bunk - semi-firm up to approx 100 kg, pocket springs.</p> <p>□ OLMAT-BA Overlay mattress protector, 28 mm thick black textile</p> <p>□ OLMAT-PR Overlay mattress protector, 35 mm thick black textile</p> <p>□ TBK60F Fixed top bunk 600×1900 mm, foldable up to 52 degrees to rear wall (depending on cab version and upper storage). Safety net included.</p> <p>□ TBK70F Fixed top bunk 700×1900 mm, foldable up to 52 degrees to rear wall (depending on cab version and upper storage). Safety net included.</p> <p>□ PH-CAB2 Cab parking heater, 2 kW</p> <p>□ PH-ENGCA Engine and cab parking heater</p> <p>□ PH-SS Short stop heater</p> <p>□ SLCP-BAS Basic sleeper control panel (controlling interior light, parking heater, roof hatch and door lock)</p> <p>□ ETSB-F Storage on engine tunnel - on front top</p> <p>□ ETSB-FR Storage on engine tunnel - on front top and at rear cab wall</p> <p>□ ETSB-FRS Storage on engine tunnel - on front top & at rear cab wall & storage immersed into tunnel on RH side</p> <p>□ ETSB-FS Storage on engine tunnel - on front top and storage immersed into tunnel on right hand side</p> <p>□ ETSB-R Fixed engine tunnel storage box at rear cab wall</p> <p>□ ETSB-RS Storage on engine tunnel - at rear cab wall and storage immersed into tunnel on right hand side</p> <p>□ ETSB-S Storage on engine tunnel - immersed into tunnel on right hand side</p> <p>□ RUS-BAS Rear cab upper storage 154 litres (300 mm high)</p> <p>□ RUS-HIG Rear cab upper storage 245 litres (440 mm high)</p> <p>□ REF-ICPK The kit consists of a bracket that is mounted on the engine tunnel and a hook that is mounted on the refrigerator side in order to strap it down to the bracket. The kit comes with all necessary equipment for installation of both the bracket and the refrigerator.</p> <p>□ MICRO-PK The front shelf above the passenger seat is prepared from factory with prerouted electrical cables for installation of a 24 V microwave oven. Cables for power supply and ground connections are included.</p> <p>□ BOTH-D One 1.5 litre plastic soft-drink bottle holder under dashboard centre section</p> <p>□ COFMA-PK Preparation kit (24V) for coffee maker</p> <p>■ INLI-BAS Interior white light with smooth light transition at on/off, no dimming</p> <p>□ INLI-NL Interior white and red (night) light with smooth light transition at on/off</p> <p>□ INLI-NLD Interior white and red (night) light with smooth light transition at on/off and dimmer</p> <p>□ ARL-FLEX Two (driver and passenger side) reading lamps with flexible arms (snake lamps) and led lamps fitted on side walls</p> <p>■ RH-EE Without roof hatch, sky window / emergency exit (tinted glass)</p> <p>□ RH-ER Roof hatch - Electrically operated / steel / emergency exit handle</p> <p>□ RH-ETR Roof hatch - Electrically operated / Tinted glass / Rear opening</p> <p>□ RH-MTR Roof hatch - Manually operated / Tinted glass / Rear opening</p> <p>■ GLAS-TIN Tinted windows (front/side/rear)</p> <p>□ SWIND-BS Extra side window on both sides</p> <p>□ SWIND-PS Rear side window on passenger side</p> <p>□ AWIND-RF Rear fixed window (without curtains)</p> <p>□ VANMIR Vanity mirror in front shelf lid. In sleeper cab on passenger side and in high/extra high cabs in middle section of the front shelf.</p> <p>□ AS-FUS One extra shelf in each of the two front upper storage compartments. Only 1 shelf if microwave oven mounted in one of the two compartments.</p>
<p>■ Standard Equipment</p>	<p>□ Optional Equipment</p>

For more detailed information about cab and powertrain equipment, please refer to separate specification sheets.

For all possible options and combinations of options please consult your Volvo sales contact who can create a specification to match your requirements using the Volvo Sales Support system (VSS).

The factory reserves the right to modify design and change equipment without previous notification. The specification can vary from country to country.

MODEL RANGE

FMX D11 66 Tractor all wheel drive rear air FMX 66T 1A

<ul style="list-style-type: none"> <input type="checkbox"/> INFOT-PK Preparation kit (bracket, security straps, power cable, antenna cable and aux cable) for mounting of a television above driver door. <p>Cab Exterior</p> <ul style="list-style-type: none"> <ul style="list-style-type: none"> ■ EXTL-BAS NEW-HDV: Exterior trim level basic CLASS-HDV: Basic exterior finish in a lightning grey colour of cab surrounding parts (mirror housings, insteps, bumper and if fitted bumper spoiler and sun visor). If fitted roof air deflector, side air deflector and chassis fairings are always painted in cab colour. ■ DGLAS-H Tempered door glass <input type="checkbox"/> DGLAS-L Laminated door glass. A laminated safety glass can crack, but retains its protective effect for much longer. This means reduced risk of injury in case of an accident. This glass also provides better sound insulation. The laminated door glass is tinted and has a water repellent treatment. <input type="checkbox"/> LOCK-REM Central door locking with remote control ■ BUMP-HD Heavy duty front bumper <input type="checkbox"/> AUXFS Extra cab side foot-step <input type="checkbox"/> GUARD-EH Guard plate for cooling pipes and oil sump <input type="checkbox"/> SIDEH-B Guide rail on day cab driver side <input type="checkbox"/> SIDSTP-R Side ladder and guide rail on on day cab driver side ■ BUGNET Radiator screen / Mosquito net (PVC coated fibreglass) in front of radiator <input type="checkbox"/> CTILT-P-E Electrical cab tilt pump ■ CTILT-P-M Manual cab tilt pump <input type="checkbox"/> FCABS-A Air front cab suspension ■ FCABS-M Mechanical cab suspension <input type="checkbox"/> RCABS-A Air rear cab suspension ■ RCABS-M Mechanical rear cab suspension <input type="checkbox"/> MIRCFCPX Electrically heated and operated rear view mirrors with a wide angle section on both sides and kerb observation mirror on the passenger side. Passenger corner camera in the mirror bracket at the passenger side. ■ MIRCOMFX El heated & operated robust main rear view mirrors, electrically heated wide angle mirrors (both sides). Close view mirror on passenger side. ■ AMIR-F20 Front close view mirror above windscreen, passenger side (radius 200 mm) <input type="checkbox"/> SUNV-H Exterior transparent dark grey front sun visor <input type="checkbox"/> AD-ROOF Roof air deflector. Design (length, height etc.) automatically calculated and varies depending on vehicle total height (chassis height, cab type, tyres etc). <input type="checkbox"/> AD-SIDEL Long cab side air deflector <input type="checkbox"/> AD-SIDES Short cab side air deflectors ■ HL-BASIC Halogen H7 head lamps <input type="checkbox"/> HL-CLEAN The headlamp cleaner is a high-pressure washer unit with nozzles integrated at the side of the headlamp. It works during high- or low beam and it is activated when the windscreen wiper switch is turned on. The cleaner mainly cleans high- and low beam area <input type="checkbox"/> HLP-ST Steel headlamp protection <input type="checkbox"/> HL-ADJ The headlamp adjustment control is used to change the height of the light beam. If there is a big difference between the chassis inclination angle when loaded and unloaded, this optional feature can be operated to avoid dazzling other road users. The function is not needed when chassis height is adjusted via the air suspension system height control. ■ DRL-LED V-shaped ("V-light") day running light (LED). Turned on low beam gives a dimmed "V-light". <p>■ Standard Equipment <input type="checkbox"/> Optional Equipment</p>	<ul style="list-style-type: none"> <input type="checkbox"/> ASL-RF2 Two Hella H11 70W spot lamps in sign box (one on each side of the Globetrotter sign) <input type="checkbox"/> BEACOA2F Two LED warning lights on the cab front <input type="checkbox"/> BEACOA2R Two LED warning lights on the cab rear <input type="checkbox"/> BEACON-P Preparation kit <input type="checkbox"/> BEACONA4 Four LED warning lights on the cab front-rear ■ CABPT-R1 One front cab roof pass through on passenger side ■ CABPT-R2 Two front cab roof pass throughs, one on each side <input type="checkbox"/> SPOTP-F Spotlamp preparation in cab front, max 280W <input type="checkbox"/> SPOTP-R Spotlamp preparation on cab roof, max 280W <input type="checkbox"/> SPOTP-RF Spotlamp preparation on cab roof and in cab front, max 2x280W <input type="checkbox"/> ROS-IL Illuminated roof sign with switch in radio shelf. Switch for turning on/off. <input type="checkbox"/> ROS-IL2 Preparation kit for installing an illuminated roof sign*. It includes a prerouted cable harness, a switch and LED-lamps. The switch is connected in the radio shelf middle section. Switch cap with icon, are enclosed in cab. Lamps in sign are mounted. The stripe in the Globetrotter window is selected via the cab sign variants <input type="checkbox"/> ROS-ILP Wiring preparation kit (wires and switch) for cab sign or roof air deflector illumination <input type="checkbox"/> CSGN-FMX FMX decal in the cab roof sign area ■ HORN-F1S One front mounted (behind grille) single tone air horn, Jericho. Operated by steering wheel buttons. <input type="checkbox"/> HORN-R2S Two roof mounted single tone chromed air horns. Operated by steering wheel buttons. <input type="checkbox"/> ANT-CBR Right hand side roof mounted foldable antenna and cables for CB radio, single aerial. <input type="checkbox"/> ACCB-R-AP Front, middle & rear roof mounted accessory brackets <input type="checkbox"/> ACCB-R-F Front roof mounted accessory bracket <input type="checkbox"/> ACCB-R-FM Front & middle roof mounted accessory brackets <input type="checkbox"/> ACCB-R-FR Front & rear roof mounted accessory brackets <input type="checkbox"/> ACCB-R-M Middle roof mounted accessory bracket <input type="checkbox"/> ACCB-R-R Rear roof mounted accessory bracket <input type="checkbox"/> ACCB-R-RM Rear & middle roof mounted accessory brackets <input type="checkbox"/> LADDER Ladder back of cab <input type="checkbox"/> REFS-TW Reflecting white cab side stripes by-packed in cab <input type="checkbox"/> REFS-TY Reflecting yellow cab side stripes by-packed in cab <p>Superstructure preparations</p> <ul style="list-style-type: none"> <input type="checkbox"/> 5WM-ISHD Fifth wheel ISO mounting on 16 mm mounting plates for heavy duty applications ■ 5WM-ISOM Fifth wheel ISO mounting on medium L-profiles (t=8 mm) with 10 mm ISO tie plate. L-profile height above frame = 50 mm. Total height above frame 60 mm. <input type="checkbox"/> 5WH150 Fifth wheel leg-height 150 mm <input type="checkbox"/> 5WH185 Fifth wheel leg-height 185 mm <input type="checkbox"/> 5WH190 Fifth wheel leg-height 190 mm <input type="checkbox"/> 5WH290 Fifth wheel leg-height 290 mm ■ 5WT-JO8 Just JSK 37 cast iron fixed fifth wheel <input type="checkbox"/> 5WT-SH SAF-Holland/+GF+ SK-S 36.20 V cast iron fixed fifth wheel <input type="checkbox"/> 5WL-S1 Fifth wheel lubrication - locking mechanism and top plate <input type="checkbox"/> TCIND Trailer connection indication with sensors for height, kingpin and coupling lock ■ RDECK Basic rear deck (one plate between frame rails and one over left fuel tank or left battery box) <input type="checkbox"/> RDECK-M Medium rear deck (two plates between frame rails and one over left fuel tank or left battery box) <input type="checkbox"/> SRWL-PK Wiring preparation for chassis mounted working lamps and a 3-position switch (On/Off/Reverse auto on). <input type="checkbox"/> SWL-2RA Two amber rear chassis-mounted (LH/RH side) LED working lamps and a 2-position switch (On/Off). <input type="checkbox"/> SWL-2RW Two white rear chassis-mounted (LH/RH side) LED working lamps and a 2-position switch (On/Off).
--	---

For more detailed information about cab and powertrain equipment, please refer to separate specification sheets.

For all possible options and combinations of options please consult your Volvo sales contact who can create a specification to match your requirements using the Volvo Sales Support system (VSS).

The factory reserves the right to modify design and change equipment without previous notification. The specification can vary from country to country.

MODEL RANGE

FMX D11 66 Tractor all wheel drive rear air FMX 66T 1A

- **SWL-PK** Wiring preparation for chassis mounted working lamps and a 2-position switch (On/Off).
- **WL-TA1A** Trailer arch working lamp with amber coloured lens and H3/35W bulb
- **WL-TA1W** Trailer arch working lamp with white lens and LED/70W bulb
- **WLC-H2A** Two H3/70W working lamps with amber coloured lens high mounted back of cab (switch incl).
- **WLC-H2W** Two H3/70W working lamps, white lens high mounted back of cab (switch incl).
- **WLC-PKH** Preparation kit (cables and switch) for high mounted working lamps back of cab (pass through in cab rear roof included). Max load 280W.
- **WLC-PKL** Preparation kit (cables and switch) for low mounted working lamps back of cab (pass through in cab rear wall included). Max load 280W.
- **WLC-PKLH** Preparation kit (cables and switch) for low and high mounted working lamps back of cab (pass throughs in rear wall and rear roof included). Max load 280W.
- **ECBB-BAS** Body builder electrical centre without any body builder module
- **ECBB-HIG** Body builder electrical centre with cab body builder module, 14 high and 4 low dig. outlet
- **ECBB-MED** Body builder electrical centre with cab body builder module, 7 high and 4 low dig. outlet
- **BBCHAS1** One 7-pole connector for Body builder interface. Wiring harness routed from the bodybuilder electrical distribution box inside the cab to a connection point inside the right frame rail beside the gearbox.
- **BBCHAS3** Three 7-pole connectors for Body builder interface. Wiring harness routed from the bodybuilder electrical distribution box inside the cab to a connection point inside the right frame rail beside the gearbox.
- **BEPR-T2** Body builder electrical software preparation for tipper with remote control
- **TD-BAS** Trailer detection without LED sensor
- **TD-LED** Trailer detection with LED sensor
- **AUXL-SPK** Electrical preparation kit (wiring and a switch in dashboard) for snow plough lights. Preparation for installation of additional headlights and additional turning indicators.
- **TAILPRE2** Tail lift preparation kit, wireless remote operation
- **TAILPREP** Tail lift preparation kit, wire remote operation
- **AESW2** Two Body builder bistable electrical switches (marked AUX1 / AUX2)
- **AESW2PK** Two Body builder bistable electrical switches (marked AUX1/AUX2) and in an empty 4-group preparation another four bistable switches with dummy switch caps
- **AUXSW-4** Wiring for 4 extra hardwired switches (from Body builder electrical centre to switch positions)

Services

- **TGW-4GWL** Telematics gateway with 4G modem
- **FMS-PK** Fleet Management System gateway, preparation kit
- **DRUT1** My Truck connects the vehicle to the smartphone app, 1 year prepaid subscription
- **DRUT2** My Truck connects the vehicle to the smartphone app, 2 year prepaid subscription
- **DRUT3** My Truck connects the vehicle to the smartphone app, 3 year prepaid subscription
- **DRUT4** My Truck connects the vehicle to the smartphone app, 4 year prepaid subscription
- **DRUT5** My Truck connects the vehicle to the smartphone app, 5 year prepaid subscription