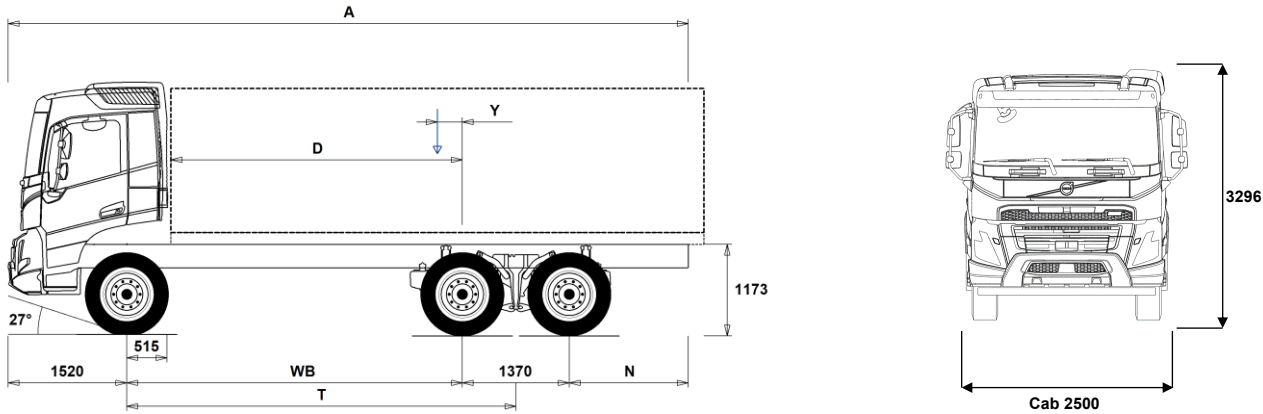


# MODEL RANGE

FMX13 6x6 Rigid - Rear Air Suspension - N3G FMX 66R 3A



## Chassis Dimensions [mm]

WB Wheelbase	3600	3700	3900	4300	4600
A Overall Chassis Length	8415	8615	8915	9565	10015
D Center of rear axle to front of body	3035	3135	3335	3735	4035
N Rear Overhang (Min.)	825	825	825	825	825
N Rear Overhang (Max.)	1925	2025	2125	2375	2525
T Theoretical Wheelbase	4285	4385	4585	4985	5285
Y Center of Gravity for Payload (Min.)	-263	-254	-237	-207	-185
Y Center of Gravity for Payload (Max.)	-5	10	40	95	137

## Chassis Weights [kg]

Front Axle	5360	5365	5380	5420	5445
Rear Bogie	4030	4040	4065	4110	4130
Kerb Weight	9390	9405	9445	9530	9575
Payload (including body, driver, fuel, etc.)	16610	16595	16555	16470	16425

## Turning Diameter [mm]

Turning Circle Diameter Kerb to Kerb	16100	16400	17100	18400	19400
Turning Circle Diameter Wall to Wall	17500	17800	18500	19800	20800

## Plated Weights [kg]

	Plated	Design
Gross Vehicle Weight	26000	34000
Gross Combination Weight	27330	60000
Front Axle	8000	8000
Rear Bogie	19000	26000

## Important Notes

### Chassis Dimensions

Cab Height: +328 mm for CAB-HSLP, -262 mm for CAB-LDAY, -262 mm for CAB-LSLP, +16 mm for CAB-SLP.  
 Front Axle to Back of Cab: +431 mm for CAB-HSLP and CAB-SLP, -69 mm for CAB-LDAY, +425 mm for CAB-LSLP.  
 D-measure includes a front clearance of 50 mm and for rigid trucks also a subframe of 100 mm.  
 Height can vary ± 20 mm for leaf and ± 10 mm for air suspension.  
 All dimensions are for unladen chassis and any tag axles down.  
 Rear overhang used for vehicle weight calculation is the maximum rear overhang (N Max.) for selected wheelbase.

Weight and dimensions are based upon the following tyres:  
 Front Axle Tyres: 315/80R22.5  
 Drive Axle Tyres: 315/80R22.5

**Chassis weight includes oil, water, AdBlue, 0 litres fuel and without driver. Kerb weight can vary ± 3%.**

Turning diameters are theoretically calculated.

Legal weights can differ from country to country.

For more detailed weight information, including optional equipment weights, ask your Volvo sales contact to enter your specification into the Volvo Weight Information system (WIS).

Do NOT use this drawing for bodybuilding. Refer to Volvo Bodybuilder Instructions and chassis assembly drawing FMX66R3A.

# MODEL RANGE

FMX13 6x6 Rigid - Rear Air Suspension - N3G FMX 66R 3A

## TRUCK USE

- **RC-ROUGH** Road conditions - On / off-road
- **TIPP-PRE** Transport Adaption - Tipper vehicle preparation
- **UNIFORM** Transport Adaption - Basic platform vehicle

## CORE COMPONENTS

- **CHH-XXHI** Chassis height - XX High - for loading heights check the unique BEP chassis drawing attached to this quote
- **RADD-G2** Rear air suspension, 2 axles - 2 driven, high ground clearance
- **CDCOPREP**
- **FMX-CREW** Cab - Four-door crew for up to 9 people
- **FMX-DAY6** Cab - Day - with steel safety cage design  
Designed and built to Swedish impact and ECE R29 regulations
- **FMX-HSL6** Cab - Globetrotter - with steel safety cage design  
Designed and built to Swedish impact and ECE R29 regulations
- **FMX-LDA6** Cab - Low Day - with steel safety cage design  
Designed and built to Swedish impact and ECE R29 regulations
- **FMX-LSL6** Cab - Low Sleeper - all-steel safety cage design.  
Built to Swedish impact and ECE R29 regulations
- **FMX-SLP6** Cab - Sleeper, with steel safety cage design  
Designed and built to Swedish impact and ECE R29 regulations
- **EU6SCR** Emission level - Euro VI step E
- **D13S420A** Engine - New D13K420 12.8 litre developing 420hp at 14-1800rpm.  
Peak torque 2100Nm at 860 -1400rpm.
- **D13S460A** Engine - New D13K460 12.8 litre developing 460hp at 14-1800rpm.  
Peak torque 2300Nm at 900-1400rpm.
- **D13S500A** Engine - New D13K500 12.8 litre developing 500hp at 14-1800rpm.  
Peak torque 2500Nm at 1000-1400rpm.
- **D13S540A** Engine - New D13K540 12.8 litre developing 540hp at 14-1800rpm.  
Peak torque 2600Nm at 1000-1450rpm.
- **D13K420** D13K420 - 420hp engine
- **D13K460** D13K460 - 460hp engine
- **D13K500** D13K500 - 500hp engine
- **D13K540** D13K540 - 540hp engine
- **DIESEL** Fuel Type - Diesel
- **EBR-EPG** Engine brake type - Exhaust brake controlled by steering column switch
- **EBR-EPGC** Engine brake type - Exhaust pressure governor for I shift gearbox
- **EBR-VEB+** Engine brake type - Volvo engine brake + and exhaust pressure governor, enhanced performance from additional exhaust rocker control. Max Retardation D13-375kW / D17-525kW
- **AT2612** Gearbox - AT2612 12-speed "I-Shift" automated mechanical suitable for gross train weights up to 60 tonne only.  
Refer to sales engineering when used in conjunction with a PTO
- **AT2812** Gearbox - AT2812 12-speed I-Shift automated mechanical suitable for gross train weights up to 60 tonne.  
Refer to sales engineering when used in conjunction with a PTO
- **ATO2612** Gearbox - ATO2612F 12-speed I-Shift overdrive automated mechanical, suitable for gross train weights up to 100 tonne.  
Refer to sales engineering when used in conjunction with a PTO
- **ATO3112** Gearbox - ATO3112 12-speed I-Shift overdrive automated mechanical, suitable for gross train weights up to 60tonne.  
Refer to sales engineering when used in conjunction with a PTO
- **PT2606** Gearbox - Powertronic automatic 6-speed, max. engine torque 2600 Nm, max. permitted GCW 130000 kg
- **ASO-C** Crawler gear -

## ASO-ULC

## RTH2610B

## RTH2610F

## PACKAGES

- **DRIV-EXT** Cab package - Drive Extended
- **DRIV-SEL** Cab Package - Drive Select
- **1LIVINFM** Sleep & Resting Package - Living one-bed
- **2LIVINFM** Sleep & Resting Package - Living two-bed
- **INFOHIGH** Media Information Platform - Medium level

## CHASSIS

- **FST-PAR3** Front suspension type - 3 leaf parabolic springs
- **FAL10.0** Front axle design capacity - 10 tonne - check tyre capacity
- **FAL8.0** Front axle design capacity - 8.0 tonne - check tyre capacity
- **FAL9.0** Front axle design capacity - 9.0 tonne - check tyre capacity
- **FSM-LUB** Front suspension maintenance - Lubricated rear shackles on pins and bushings
- **FSTAB** Front anti-roll bar - Normal stiffness
- **RAL26** Rear bogie design capacity - 26 tonne
- **RSTAB3** Rear anti-roll bar - Stiff
- **RALIM105** Rear-axle load limiter - 10.5 tonne - speed controlled
- **RALIM115** Rear-axle load limiter -11.5 tonne - speed controlled
- **RALIM13** Rear-axle load limiter - 13 tonne
- **RALIM95** Rear-axle load limiter - 9.5 tonne
- **ASF-DL1** Air suspension with 1 driving level
- **ASF-DL3** Air suspension with 3 driving levels
- **PSP-FIX** Power steering pump - Fixed displacement
- **PSP-VAR** Power steering pump - Variable displacement
- **EBS-MED** Brake package - EBS medium including "hill" hold function
- **AUXPARK** Auxiliary parking brake - Additional spring brakes
- **RST-AIR** Rear suspension type - Air
- **FRAME300** Chassis frame section external height - 300 mm
- **FST8080** Chassis frame thickness - 8 mm web and flange
- **FIL-EEEB** Chassis frame inner liner - From the end of the engine to the end of the bogie
- **FIL-EEEF** Chassis frame inner liner - From the end of the engine to end of the frame
- **FIL-FBEB** Chassis frame inner liner - Over the rear bogie
- **FIL-FBEF** Chassis frame inner liner - From the front of bogie to the end of the frame
- **FIL-TXEB** Chassis frame inner liner - From gearbox member to the end of the bogie
- **FIL-TXEF** Chassis frame inner liner - From gearbox member to the end of the frame
- **BBOX-L** Battery box position - Left hand side
- **2BAT210B** Battery Capacity - 2 x 210 Ah - Gel type
- **2BAT210C** Battery Capacity - 2 x 210 Ah - AGM Absorbent Glass-fibre Material type
- **BATTAMP** Battery management - Voltage and current gauge
- **BATTIND** Battery management - Voltage, current and charge indicators

■ Standard Equipment                      □ Optional Equipment

For more detailed information about cab and powertrain equipment, please refer to separate specification sheets.

For all possible options and combinations of options please consult your Volvo sales contact who can create a specification to match your requirements using the Volvo Sales Support system (VSS).

The factory reserves the right to modify design and change equipment without previous notification. The specification can vary from country to country.

# MODEL RANGE

## FMX13 6x6 Rigid - Rear Air Suspension - N3G FMX 66R 3A

<input type="checkbox"/> <b>MSWI-C</b>	Battery master switch - Chassis mounted toggle by the battery box	<b>WHEELS &amp; TYRES</b>	
<input checked="" type="checkbox"/> <b>MSWI-R</b>	Battery master switch - Key fob operated remote controlled	<input checked="" type="checkbox"/> <b>RT-STEEL</b>	Wheels - Steel rims
<input checked="" type="checkbox"/> <b>R315A56</b>	Right fuel tank - 315litre aluminium diameter 560mm Min volume 255l Max volume 630l	<input type="checkbox"/> <b>SPWT-D</b>	Spare wheel & tyre with rear tyre pattern
<input type="checkbox"/> <b>ADTP-L</b>	AdBlue tank position - Chassis mounted on the left-hand side	<input type="checkbox"/> <b>SPWT-F</b>	Spare wheel & tyre with front tyre pattern
<input checked="" type="checkbox"/> <b>ADTP-R</b>	AdBlue tank position - Chassis mounted on the right-hand side	<input type="checkbox"/> <b>SWCP-R</b>	Rear mounted spare wheel carrier
<input checked="" type="checkbox"/> <b>ADB048</b>	Plastic AdBlue tank - 48 litre	<input type="checkbox"/> <b>SWCP-T</b>	Spare wheel supplied temporarily strapped to chassis
<input type="checkbox"/> <b>ADB064</b>	Plastic AdBlue tank - 64 litre	<input type="checkbox"/> <b>SWCP-TP</b>	Temporary spare wheel carrier on top of chassis frame
<input type="checkbox"/> <b>ADB068</b>	Plastic AdBlue tank - 68 litre	<input type="checkbox"/> <b>JACK-20T</b>	20 tonne bottle jack
<input type="checkbox"/> <b>ADB083</b>	Plastic AdBlue tank - 83 litre	<input checked="" type="checkbox"/> <b>TOOL-BAS</b>	Toolkit - Basic
<input type="checkbox"/> <b>ADB090</b>	Plastic AdBlue tank - 90 litre	<input type="checkbox"/> <b>TOOLKIT</b>	Toolkit - Complete
<input type="checkbox"/> <b>ADB112</b>	Plastic AdBlue tank - 112 litre	<input type="checkbox"/> <b>INFLAHO</b>	Tyre inflation hose
<input checked="" type="checkbox"/> <b>FCAP-L</b>	Diesel and AdBlue filler cap - Locking	<input type="checkbox"/> <b>GAUGE-TP</b>	Tyre pressure gauge
<input checked="" type="checkbox"/> <b>FUFF-AS</b>	Fuel filler - Anti-spill device	<b>DRIVELINE EQUIPMENT</b>	
<input type="checkbox"/> <b>FUFF-ATS</b>	Fuel filler - Anti-spill & anti-syphon device	<input type="checkbox"/> <b>TRAP-HD</b>	Reinforced gearbox application
<input checked="" type="checkbox"/> <b>ESH-REAR</b>	Exhaust - Horizontal silencer - rear outlet	<input checked="" type="checkbox"/> <b>DRM-BE</b>	Drive mode - Balanced & Economy
<input type="checkbox"/> <b>ESH-VERT</b>	Exhaust - Horizontal silencer - vertical outlet	<input type="checkbox"/> <b>DRM-E</b>	Drive mode - Economy
<input type="checkbox"/> <b>EXST-SSP</b>	Stainless steel exhaust stack - NOT polished	<input type="checkbox"/> <b>PVT-MAP</b>	I-See Predictive Cruise Control - using map-based topography information
<input type="checkbox"/> <b>EXST-ST</b>	Steel exhaust stack	<input checked="" type="checkbox"/> <b>PVT-MTM</b>	I-See Predictive Cruise Control - using map-based topography information with lower operating settings
<input type="checkbox"/> <b>WHC-FIX2</b>	Wheel chocks - Two fixed design	<input checked="" type="checkbox"/> <b>CRUIS-E</b>	Cruise control - with I-roll and I-cruise, controls in steering wheel
<input type="checkbox"/> <b>WHC-FOL2</b>	Two foldable wheel chocks	<input type="checkbox"/> <b>CRUIS-E5</b>	Eco torque software - Improved economy mode. Fuel economy optimized cruise control for I-Save
<input type="checkbox"/> <b>WHCP-F</b>	Wheel chock carrier position - In the front part of the vehicle	<input type="checkbox"/> <b>AMSO-AUT</b>	Enhanced I-shift software with manual shift available in auto mode and kickdown facility on accelerator pedal
<input type="checkbox"/> <b>WHCP-M</b>	Wheel chock carrier position - Middle part of the vehicle	<input type="checkbox"/> <b>AVO-ENH</b>	I-Shift application software - Construction and off road applications
<input type="checkbox"/> <b>WHCP-R</b>	Wheel chock carrier position - In the rear part of the vehicle	<input type="checkbox"/> <b>APF-ENH</b>	I-shift enhanced PTO functions
<input type="checkbox"/> <b>WHCP-T</b>	Wheel chock carrier position - Outer luggage locker	<input type="checkbox"/> <b>RET-TPT</b>	Hydraulic Retarder for Powertronic gearbox
<input type="checkbox"/> <b>TB-R80</b>	Toolbox 800 mm, right side	<input type="checkbox"/> <b>TC-HWO</b>	Transmission oil cooler - water to oil
<input type="checkbox"/> <b>CHAIN-S</b>	Snow chains	<input type="checkbox"/> <b>TC-MAOH2</b>	Extra high performance transmission oil cooler - air to oil with front mounted radiator
<input type="checkbox"/> <b>HOOK-SC</b>	Snow chain hooks	<input type="checkbox"/> <b>2COM1100</b>	Air compressor - Two-cylinder 1100 litres per minute
<input checked="" type="checkbox"/> <b>TOWF-HD1</b>	Front towing device - One heavy-duty front towing device	<input checked="" type="checkbox"/> <b>2COMP870</b>	Air compressor - Two-cylinder 870 litres per minute
<input type="checkbox"/> <b>TOWMBRH</b>	Towing member, high mounted in centre of frame, D = 190	<input type="checkbox"/> <b>2COMP900</b>	Air compressor - Two-cylinder 900 litres per minute
<input type="checkbox"/> <b>TOWMBRL1</b>	Towing member, low mounted under the frame	<input type="checkbox"/> <b>CLU-AIRC</b>	Clutchable air compressor
<input type="checkbox"/> <b>TOWMBRM</b>	Towing member, medium mounted in line with frame lower flange	<input checked="" type="checkbox"/> <b>AIRIN-HI</b>	Air intake - Roof-mounted behind cab on the left-hand side
<input checked="" type="checkbox"/> <b>RFEC-S</b>	Rear frame profile - Straight cut	<input type="checkbox"/> <b>AIRIN-LO</b>	Low level air intake behind cab on left hand side
<input type="checkbox"/> <b>RFEC-U</b>	Rear frame profile - Slight uppercut for tipper	<input type="checkbox"/> <b>ACL1ST-S</b>	Air filter - two-stage element
<input type="checkbox"/> <b>C-RI4040</b>	Towing coupling, Ringfeder 4040A	<input checked="" type="checkbox"/> <b>24A110BL</b>	Alternator capacity - 110 amp
<input type="checkbox"/> <b>C-RI5050</b>	Towing coupling, Ringfeder 5050A	<input type="checkbox"/> <b>24A150BL</b>	Alternator capacity - 150 amp
<input type="checkbox"/> <b>C-RO400G</b>	Towing coupling, Rockinger 400 G-150 for 40mm eyes	<input type="checkbox"/> <b>24A180BL</b>	Alternator capacity - 180 amp
<input type="checkbox"/> <b>C-RO50</b>	Rockinger RO 50 50mm for centre axle trailer	<input type="checkbox"/> <b>24AL110B</b>	Alternator capacity - 110 amp
<input type="checkbox"/> <b>C-VBG795</b>	VBG 795V-3 coupling (centre axle trailer)	<input type="checkbox"/> <b>24AL150B</b>	Alternator capacity - 150 amp
<input type="checkbox"/> <b>TOWR-ONE</b>	Rear cross member towing eye - Capacity 3tonne at 20mph	<input type="checkbox"/> <b>CCV-C</b>	Closed crankcase engine ventilation
<input checked="" type="checkbox"/> <b>TREL-PK</b>	Trailer electrical preparation kit - chassis/cab wiring	<input checked="" type="checkbox"/> <b>CCV-OX</b>	Closed crankcase ventilation for cold markets
<input type="checkbox"/> <b>TREL14</b>	Single 14 pole electrical trailer connector	<input checked="" type="checkbox"/> <b>PRIM-EL</b>	Electrical priming pump
<input type="checkbox"/> <b>TREL15</b>	Trailer electrical connection - Single 15 pin - ADR certified	<input type="checkbox"/> <b>PRIM-MAN</b>	Manual priming pump
<input type="checkbox"/> <b>TREL7</b>	7 pole - 24N trailer electrical suzie	<input type="checkbox"/> <b>FUEQ-EH</b>	Fuel line electric heater
<input type="checkbox"/> <b>TREL7-7</b>	Trailer electrical connection - 2 x 7 pin - 24N and 24S	<input type="checkbox"/> <b>AF-R</b>	Hot fuel recirculation heated fuel filter
<input type="checkbox"/> <b>TBC-DUO</b>	Trailer brake connections - Duomatic type	<input checked="" type="checkbox"/> <b>FUEFE2LW</b>	Large engine mounted dual fuel filter with water separator
<input type="checkbox"/> <b>TBC-EC</b>	Trailer brake connections - EC palm coupling connectors	<input type="checkbox"/> <b>FUEFE2SW</b>	Small engine mounted dual fuel filter with water separator
<input type="checkbox"/> <b>TRBR-STA</b>	Stationary trailer brake control	<input type="checkbox"/> <b>EST-AID</b>	Engine starting aid -Preheating element in the air inlet manifold
<input type="checkbox"/> <b>TRB-STRE</b>	Stretch Brake - Automatic low speed trailer brake activation to avoid jack-knifing and improve steerability	<input type="checkbox"/> <b>220EBH15</b>	220V/1.5Kw electric engine block heater
<input type="checkbox"/> <b>RFEND-B</b>	Rear mud wings - Three piece EC approved and spray flaps	<input type="checkbox"/> <b>PTER-100</b>	Engine power-take-off - Rear-mounted with DIN100/ISO7646 flange
<input type="checkbox"/> <b>RFEND-T</b>	Rear mud wings - Temporary on drive axle for transport delivery only		
<input type="checkbox"/> <b>RFH-BAS</b>	Basic rear wing height		
<input type="checkbox"/> <b>RFH-HIG</b>	High rear wing height - higher wing tops		
<input type="checkbox"/> <b>RFH-LOW</b>	Lower rear wing height - shallower wing tops		
<input checked="" type="checkbox"/> <b>TL-LED</b>	Rear lights - LED		
<input checked="" type="checkbox"/> <b>BLIGHT-E</b>	Emergency brake light		
<input checked="" type="checkbox"/> <b>Standard Equipment</b>		<input type="checkbox"/> <b>Optional Equipment</b>	

For more detailed information about cab and powertrain equipment, please refer to separate specification sheets.

For all possible options and combinations of options please consult your Volvo sales contact who can create a specification to match your requirements using the Volvo Sales Support system (VSS).

The factory reserves the right to modify design and change equipment without previous notification. The specification can vary from country to country.

# MODEL RANGE

## FMX13 6x6 Rigid - Rear Air Suspension - N3G FMX 66R 3A

<input type="checkbox"/> <b>PTER-DIN</b>	Engine power-take-off - Rear-mounted with DIN5462 (female) splined shaft for a close-coupled pump Models with 3 steering axles will use this to drive the steering pump (AUXPSP)	<input type="checkbox"/> <b>LCS5</b>	Side Collision Avoidance Support - Active support with emergency brake on passenger side. Collision warning on passenger and driver side
<input type="checkbox"/> <b>PTER1400</b>	Engine power-take-off - Rear-mounted with SAE 1410 flange	■ <b>DAS-W2</b>	Driver Alert Support with driver attention monitoring to comply with EU GSR2 step 2 regulations
<input type="checkbox"/> <b>HPE-F101</b>	Parker F1-101, engine mounted, fixed displacement, single flow, engine mounted hydraulic pump	■ <b>PB-AUT2</b>	Parking Brake - Automatic using in cab sensors when driver leaves the seat
<input type="checkbox"/> <b>HPE-F41</b>	Parker F1-41, engine mounted, fixed displacement, single flow, engine mounted hydraulic pump	<input type="checkbox"/> <b>RSENS-W</b>	Rain sensing windscreen wipers
<input type="checkbox"/> <b>HPE-F51</b>	Parker F1-51, engine mounted, fixed displacement, single flow, engine mounted hydraulic pump	■ <b>CU-ECC</b>	Cab climate Unit - Electrically controlled air conditioning with sun sensor
<input type="checkbox"/> <b>HPE-F61</b>	Parker F1-61, engine mounted, fixed displacement, single flow, engine mounted hydraulic pump	<input type="checkbox"/> <b>CU-ECC2</b>	Cab climate Unit - Electrically controlled air conditioning with a carbon filter, sun, mist, and air quality sensor
<input type="checkbox"/> <b>HPE-F81</b>	Parker F1-81, engine mounted, fixed displacement, single flow, engine mounted hydraulic pump	■ <b>IGT-BUT</b>	Vehicle starting - Push-button
<input type="checkbox"/> <b>HPE-T53</b>	Parker F2-53/53, engine mounted, Fixed displacement, Twin flow engine mounted hydraulic pump	■ <b>IMMOBIL</b>	Immobiliser
<input type="checkbox"/> <b>HPE-T70</b>	Parker F2-70/35, engine mounted, Fixed displacement, Twin flow engine mounted hydraulic pump	<input type="checkbox"/> <b>ALARM-E</b>	Vehicle alarm - Cab plus external sensor for body/trailer
<input type="checkbox"/> <b>HPE-V45</b>	Parker VP1-45, variable displacement, single flow, engine mounted hydraulic pump	<input type="checkbox"/> <b>ALCOLOCK</b>	Alcolock
<input type="checkbox"/> <b>HPE-V75</b>	Parker VP1-75, variable displacement, single flow, engine mounted hydraulic pump	<input type="checkbox"/> <b>BUPMON</b>	Back up monitor - Digital reverse camera, parameter & lead supplied loose in cab.
<input type="checkbox"/> <b>PTPT-D</b>	Powertronic PTO, 1 front/upper DIN connection for plug-in pump (max. 850 Nm)	<input type="checkbox"/> <b>PHONE-PK</b>	Telephone preparation kit (antenna, antenna attachm. cable incl.)
<input type="checkbox"/> <b>PTPT-F</b>	Powertronic PTO, 1 front/upper rear facing SAE flange conn. for prop shaft (max.850 Nm)	<input type="checkbox"/> <b>ISUNS-BS</b>	Side sun visor - Driver & passenger side
<input type="checkbox"/> <b>PTR-D</b>	Gearbox PTO for plug-in pump, 0.71xeng speed	■ <b>ISUNS-DS</b>	Side sun visor - Driver-side
<input type="checkbox"/> <b>PTR-DH</b>	Gearbox driven high speed PTO for one plug-in hydraulic pump	<input type="checkbox"/> <b>ISUNF-B</b>	Interior front sun visor without mirror
<input type="checkbox"/> <b>PTR-DM</b>	Gearbox driven medium speed PTO for one plug-in hydraulic pump	<input type="checkbox"/> <b>ISUNF-MD</b>	Interior front sun visor with mirror on driver side
<input type="checkbox"/> <b>PTR-F</b>	Gearbox driven PTO with rear flange connection	<input type="checkbox"/> <b>ISUNF-RE</b>	Electrically operated textile interior sun blind
<input type="checkbox"/> <b>PTRD-D</b>	Gearbox driven HIGH SPEED PTO for two plug-in hydraulic pumps	■ <b>ISUNF-RM</b>	Manually operated textile interior sun blind
<input type="checkbox"/> <b>PTRD-D1</b>	PTRD-D1 Gearbox driven HIGH SPEED PTO (1 SAE flange & 1 plug-in hydraulic pump)	<input type="checkbox"/> <b>ADFS</b>	Two extra DIN slots in front shelf - can be fitted with card or drawer available as an accessory
<input type="checkbox"/> <b>PTRD-D2</b>	Gearbox driven HIGH SPEED PTO (2 SAE flanges & 1 plug-in hyd pump)	■ <b>BUPALARM</b>	Reverse alarm
<input type="checkbox"/> <b>HPG-F101</b>	Gearbox mounted hydraulic pump - Parker F1-101 hydraulic pump gearbox mounted	<input type="checkbox"/> <b>RTOLL-PK</b>	Road toll PREPARATION kit for trucks operating with "Toll Collect" in Germany
<input type="checkbox"/> <b>HPG-F41</b>	Gearbox mounted hydraulic pump - Parker F1-41 gearbox mounted, fixed displacement, single flow	<input type="checkbox"/> <b>LOADIND</b>	Load indicator with central dashboard display
<input type="checkbox"/> <b>HPG-F51</b>	Gearbox mounted hydraulic pump - Parker F1-51 gearbox mounted, fixed displacement, single flow	<input type="checkbox"/> <b>REMC-MF</b>	Multi-functio wireless remote control
<input type="checkbox"/> <b>HPG-F61</b>	Gearbox mounted hydraulic pump - Parker F1-61 gearbox mounted, fixed displacement, single flow	<input type="checkbox"/> <b>FIREXT3S</b>	Fire extinguisher - 3kg mounted on the seat base
<input type="checkbox"/> <b>HPG-F81</b>	Gearbox mounted hydraulic pump - Parker F1-81 gearbox mounted, fixed displacement, single flow	<input type="checkbox"/> <b>WARNVEST</b>	High visibility warning vest - No sleeves
■ <b>STWPOS-R</b>	Steering wheel position - RIGHT-HAND DRIVE	<input type="checkbox"/> <b>AIDKIT</b>	First aid kit - Legal demand for EU markets including delivery to EU bodybuilder
<input type="checkbox"/> <b>STWM-LE</b>	Steering wheel - Leather	<input type="checkbox"/> <b>AIDKIT1B</b>	First aid kit - Legal demand for trucks transiting Germany
<input type="checkbox"/> <b>STGW-AD2</b>	Steering wheel adjustment - Neck tilt, column height and angle	<input type="checkbox"/> <b>WARNLAMP</b>	Portable warning lamp
■ <b>STGW-ADJ</b>	Steering wheel adjustment - Column height and angle	<input type="checkbox"/> <b>LAMP-IN</b>	Inspection lamp
■ <b>AIRBAG</b>	Driver air bag	<input type="checkbox"/> <b>BULBKIT</b>	Bulb and fuse kit
■ <b>DRC-AMII</b>	DPF Regeneration control switch - for manual and switching off regeneration	<input type="checkbox"/> <b>WRITEPAD</b>	Writing pad
■ <b>1DAYDIG4</b>	Smart tachograph - Continental VDO 4.1 version 2 - legal demand from 21/08/2023	■ <b>DST-CF4</b>	Driver seat - Suspended, adjustable shock absorber, travel, backrest & lumbar controls with integrated seatbelt
<input type="checkbox"/> <b>ARSL</b>	Additional road speed limit - switch in dashboard	<input type="checkbox"/> <b>DST-CF5</b>	Driver seat - Suspended with adjustable shock absorber, travel, backrest, lumbar & heat controls with integrated seatbelt
<input type="checkbox"/> <b>ESP-BAS1</b>	Electronic Stability Control ESC	<input type="checkbox"/> <b>DST-CF6</b>	Driver seat - Suspended with adjustable shock absorber, travel, backrest, lumbar, heat and ventilation controls with integrated seatbelt
<input type="checkbox"/> <b>ESPC-RO</b>	Additional ESC functions - Reduced / Off	<input type="checkbox"/> <b>DST-LUX1</b>	Driver seat - Deluxe 1: electrical adjustment with memory function, lumbar support, heating & ventilation with integrated seatbelt
<input type="checkbox"/> <b>HWSS-ACB</b>	Forward collision warning with adaptive cruise control and AEBs advanced emergency brake system	<input type="checkbox"/> <b>SBD-RED</b>	Seat belt colour - Red
■ <b>HWSS-FCB</b>	Forward collision warning with AEBs advanced emergency brake system	<input type="checkbox"/> <b>SBPRE-DS</b>	Driver seat belt pretensioner
<input type="checkbox"/> <b>LSS-DW</b>	Lane departure warning system	■ <b>PST-BAS1</b>	Passenger seat - Fixed non suspended fold up with seatbelt mounted on cab "B" post
■ <b>LCS4</b>	Side Collision Avoidance Support - Passenger and driver side	<input type="checkbox"/> <b>PST-CF4</b>	Passenger seat - Suspended, adjustable shock absorber, travel, backrest & lumbar controls with integrated seatbelt

■ Standard Equipment

Optional Equipment

For more detailed information about cab and powertrain equipment, please refer to separate specification sheets.

For all possible options and combinations of options please consult your Volvo sales contact who can create a specification to match your requirements using the Volvo Sales Support system (VSS).

The factory reserves the right to modify design and change equipment without previous notification. The specification can vary from country to country.

# MODEL RANGE

## FMX13 6x6 Rigid - Rear Air Suspension - N3G FMX 66R 3A

<input type="checkbox"/> <b>PST-CF5</b>	Passenger seat - Suspended with adjustable shock absorber, travel, backrest, lumbar & heat controls with integrated seatbelt	<input checked="" type="checkbox"/> <b>EXTL-BAS</b>	Basic exterior finish - Satin Volvo badges, grey grille, instep, bumper, bumper spoiler, grille, door handles mirror housing and sunvisor if specified.
<input type="checkbox"/> <b>PST-STD2</b>	Passenger seat - Fixed with backrest adjustment, non suspended with seatbelt mounted on cab "B" post	<input checked="" type="checkbox"/> <b>DGLAS-H</b>	Door glass - Hardened
<input type="checkbox"/> <b>PST-STD4</b>	Passenger seat - Standard suspended with seatbelt mounted on cab "B" post	<input type="checkbox"/> <b>DGLAS-L</b>	Door glass - Laminated
<input type="checkbox"/> <b>SBPRE-PS</b>	Passenger seat belt pretensioner	<input checked="" type="checkbox"/> <b>BUMP-HD</b>	Front bumper - Heavy duty
<input type="checkbox"/> <b>ARMRE-BB</b>	Armrests - Two on both driver & passenger seats	<input type="checkbox"/> <b>AUXFS</b>	Lower swinging cab step
<input type="checkbox"/> <b>ARMRE-DB</b>	Armrests - Two on the driver seat	<input type="checkbox"/> <b>GUARD-EH</b>	Sump and radiator guard - to protect engine and hoses
<input type="checkbox"/> <b>ARMRE-PB</b>	Armrests - Two on the passenger seat	<input checked="" type="checkbox"/> <b>BUGNET</b>	Radiator insect screen
<input type="checkbox"/> <b>ARU-BAS</b>	Armrest upholstery - Vinyl	<input type="checkbox"/> <b>CTILT-P-E</b>	Electrically operated hydraulic cab tilt
<input type="checkbox"/> <b>ARU-LEA</b>	Armrest upholstery - Leather	<input checked="" type="checkbox"/> <b>CTILT-P-M</b>	Manually operated hydraulic cab tilt
<input checked="" type="checkbox"/> <b>FMAT-RUB</b>	Footwell floor mats - Rubber	<input type="checkbox"/> <b>FCABS-A</b>	Front cab suspension - Air
<input type="checkbox"/> <b>FMAT-TX2</b>	Footwell floor mats - Two sets, Rubber and textile with an embossed pile supplied in the cab	<input checked="" type="checkbox"/> <b>FCABS-M</b>	Front cab suspension - Mechanical spring
<input type="checkbox"/> <b>LBK70</b>	Lower bunk - Fixed 700 x 2000 mm	<input checked="" type="checkbox"/> <b>RCABS-A</b>	Rear cab suspension - Air
<input type="checkbox"/> <b>MATL-FI</b>	Lower mattress - Firm pocket sprung	<input checked="" type="checkbox"/> <b>RCABS-M</b>	Rear cab suspension - Mechanical spring
<input type="checkbox"/> <b>MATL-SF</b>	Lower mattress - Flexi-zone semi-firm, pocket springs up to 100kg - 16 stone	<input type="checkbox"/> <b>MIRCFCPX</b>	Mirrors - Electrically heated and operated FMX main and wide-angle with manually adjusted passenger kerb and front mirror and position camera in nearside mirror arm. To increase direct vision to the side the main mirrors have no cowlings
<input type="checkbox"/> <b>OLMAT-BA</b>	Mattress overlay protector - 35mm thick	<input type="checkbox"/> <b>MIRCMCP</b>	Camera monitoring and mirrors - Electrically heated and operated main and wide-angle rear view cameras with manually adjusted passenger kerb and front mirror and passenger corner pedestrian camera.
<input type="checkbox"/> <b>OLMAT-PR</b>	Mattress overlay protector - Premium 50mm thick	<input type="checkbox"/> <b>MIRCMS</b>	Camera monitoring and mirrors - Electrically heated and operated main and wide-angle rear view cameras with manually adjusted passenger kerb and front mirror
<input type="checkbox"/> <b>TBK60F</b>	Top bunk - Fixed foldable 600 x 1900mm	<input checked="" type="checkbox"/> <b>MIRCOMFX</b>	Mirrors - Electrically heated and operated FMX main and wide angle and manually adjusted passenger kerb and front mirror. To increase direct vision to the side the main mirrors have no cowlings
<input type="checkbox"/> <b>TBK70F</b>	Top bunk - Fixed foldable 700 x 1900mm	<input checked="" type="checkbox"/> <b>AMIR-F20</b>	Auxiliary front view mirror with a 200mm radius
<input type="checkbox"/> <b>PH-CAB2</b>	Cab parking heater -1.8kW Air to air	<input type="checkbox"/> <b>SUNV-H</b>	External smoke grey sunvisor
<input type="checkbox"/> <b>PH-ENGCA</b>	Cab parking heater - Engine and cab	<input type="checkbox"/> <b>AD-ROOF</b>	Cab roof deflector - Adjustable
<input type="checkbox"/> <b>PH-SS</b>	Cab parking heater - Short stop	<input type="checkbox"/> <b>AD-SIDES</b>	Cab side deflector - Short extension panels
<input type="checkbox"/> <b>SLCP-BAS</b>	Sleeper control panel - Basic with switches for interior light, night heater, roof hatch and door lock	<input checked="" type="checkbox"/> <b>HL-LED</b>	Headlights - LED
<input type="checkbox"/> <b>ETSB-F</b>	Storage on engine tunnel - Central document box with two rear cup holders	<input type="checkbox"/> <b>HL-LED3</b>	Headlights - LED Adaptive high beam
<input type="checkbox"/> <b>ETSB-FR</b>	Storage on engine tunnel - Central document box with two rear cup holders & open storage pocket on cab rear wall	<input type="checkbox"/> <b>HBDA-A</b>	Headlight main beam switching - Automatic
<input type="checkbox"/> <b>ETSB-R</b>	Storage on engine tunnel - Open storage pocket on cab rear wall	<input checked="" type="checkbox"/> <b>HL-CLEAN</b>	Headlight cleaner - Washer jets
<input type="checkbox"/> <b>RUS-BAS</b>	Rear cab upper storage - 300 mm high	<input type="checkbox"/> <b>HLP-ST</b>	Headlight protection
<input type="checkbox"/> <b>RUS-HIG</b>	Rear cab upper storage - 440 mm high - volume 245 litres	<input type="checkbox"/> <b>ASL-RF2</b>	Integrated roof spotlights - Two LED aerodynamic spot lights in Globetrotter sign box
<input type="checkbox"/> <b>REF-ICPK</b>	Fridge - Engine tunnel mounted preparation kit	<input type="checkbox"/> <b>BEACOA2F</b>	Roof beacons - Two front roof mounted amber LED
<input type="checkbox"/> <b>MICRO-PK</b>	Microwave equipment - Wiring preparation kit for oven	<input type="checkbox"/> <b>BEACOA2R</b>	Roof beacons - Two rear roof mounted amber LED
<input type="checkbox"/> <b>BOTH-D</b>	Bottle holder - One under dashboard centre section	<input type="checkbox"/> <b>BEACON-P</b>	Roof beacons - switch and wiring preparation only
<input type="checkbox"/> <b>COFMA-PK</b>	Coffee maker - Preparation kit.	<input type="checkbox"/> <b>BEACONA4</b>	Roof beacons - Four amber LED - two front/ two rear
<input checked="" type="checkbox"/> <b>INLI-BAS</b>	Interior light - White LEDs	<input type="checkbox"/> <b>CABPT-R1</b>	Single outlet for roof mounted accessories
<input type="checkbox"/> <b>INLI-NL</b>	Interior light - White and red nightlight LEDs without dimmer	<input checked="" type="checkbox"/> <b>CABPT-R2</b>	Twin outlets for roof mounted accessories.
<input type="checkbox"/> <b>INLI-NLD</b>	Interior light - White and red nightlight LEDs with dimmer	<input type="checkbox"/> <b>SPOTP-F</b>	Spotlamp preparation in front, max 280W
<input type="checkbox"/> <b>ARL-FLEX</b>	Flexible reading lamps - Two "snake" type	<input type="checkbox"/> <b>SPOTP-R</b>	Spotlamp preparation on roof, max 280W
<input checked="" type="checkbox"/> <b>RH-EE</b>	Fixed tinted glass sky window with emergency exit	<input type="checkbox"/> <b>SPOTP-RF</b>	Spotlamp preparation on cab roof and in cab front, max 2x280W
<input type="checkbox"/> <b>RH-ER</b>	Steel roof hatch - Electrically operated, rear opening with emergency exit	<input type="checkbox"/> <b>ROS-IL2</b>	Preparation kit for illuminated roof sign with switch loose in cab, fit after registration
<input type="checkbox"/> <b>RH-ETR</b>	Tinted glass roof hatch - Electrically operated, rear opening with emergency exit	<input type="checkbox"/> <b>CSGN-FMX</b>	Cab sign logo - "Volvo FMX"
<input type="checkbox"/> <b>RH-MTR</b>	Tinted glass roof hatch - Manually operated, rear opening with emergency exit	<input checked="" type="checkbox"/> <b>HORN-F1S</b>	Horn - Air single tone - chassis mounted
<input checked="" type="checkbox"/> <b>GLAS-TIN</b>	Cab windows - Tinted	<input checked="" type="checkbox"/> <b>HORN-R2S</b>	Horn - Air - Two roof-mounted
<input type="checkbox"/> <b>SWIND-BS</b>	Cab side window - On both sides behind 'B' post	<input type="checkbox"/> <b>ANT-CBR</b>	Roof mounted antenna for CB radio, single aerial. Only Globetrotter cabs brings in extra DIN slots.
<input type="checkbox"/> <b>SWIND-PS</b>	Cab side window - Left side behind 'B' post	<input type="checkbox"/> <b>ACCBR-AP</b>	Front, middle & rear roof mounted accessory brackets
<input type="checkbox"/> <b>AWIND-RF</b>	Rear window	<input type="checkbox"/> <b>ACCBR-F</b>	Front roof mounted accessory bracket
<input type="checkbox"/> <b>VANMIR</b>	Vanity mirror - In front shelf		
<input type="checkbox"/> <b>AS-FUS</b>	Extra shelf in front compartments		
<input type="checkbox"/> <b>INFOT-PK</b>	TV mounting preparation kit - Above the driver's door, includes bracket, electrical and speaker connections		

### CAB EXTERIOR

- Standard Equipment       Optional Equipment

For more detailed information about cab and powertrain equipment, please refer to separate specification sheets.

For all possible options and combinations of options please consult your Volvo sales contact who can create a specification to match your requirements using the Volvo Sales Support system (VSS).

The factory reserves the right to modify design and change equipment without previous notification. The specification can vary from country to country.

# MODEL RANGE

## FMX13 6x6 Rigid - Rear Air Suspension - N3G FMX 66R 3A

- ACCBR-FM** Front & middle roof mounted accessory brackets
- ACCBR-FR** Front & rear roof mounted accessory brackets
- ACCBR-M** Middle roof mounted accessory bracket
- ACCBR-R** Rear roof mounted accessory bracket
- ACCBR-RM** Rear & middle roof mounted accessory brackets
- REFS-TW** White cab conspicuity markings by packed in cab
- REFS-TY** Yellow cab conspicuity markings by packed in cab

- DRUT3** Driver utility app - "My Truck" - 3 year subscription  
For mobile phone, tablet, with android and IOS systems.  
Only available with Volvo Connect subscription
- DRUT4** Driver utility app - "My Truck" - 4 year subscription  
For mobile phone, tablet, with android and IOS systems.  
Only available with Volvo Connect subscription
- DRUT5** Driver utility app - "My Truck" - 5 year subscription  
For mobile phone, tablet, with android and IOS systems.  
Only available with Volvo Connect subscription

### SUPERSTRUCTURE PREPARATIONS

- SRWL-PK** Chassis-mounted working lamps - Side work and reverse lamp preparation and 3 position switch - Max load 280W
- SWL-2FW** Chassis-mounted working lamps - Two white front mounted LED lamps
- SWL-2RW** Chassis-mounted working lamps - Two white rear mounted LED lamps
- SWL-4W** Chassis-mounted working lamps - Four white front and rear mounted LED lamps
- SWL-PK** Chassis-mounted working lamps - Side work lamp preparation and 2 position switch - Max load 280W
- WLC-H2A** Working lamp back of cab - Two amber LED high mounted
- WLC-H2W** Working lamp back of cab - Two white LED high mounted at the back of cab
- WLC-PKCH** Working lamp back of cab - Preparation kit - cables and switch
- WLC-PKH** Preparation kit, cables and switch for high mounted working lamps back of cab
- WLC-PKL** Preparation kit, cables and switch for low mounted working lamps back of cab
- WLC-PKLH** Preparation kit - cables and switch for low and high mounted working lamps back of cab.
- **ECBB-HIG** Bodybuilder module - High level body electrical centre in dash input/output module
- BBCHAS1** One 7-pole connector for Body builder interface
- BBCHAS3** Three 7-pole connectors for Body builder interface
- BEPR-T2** Body builder electrical software preparation for tipper with remote control
- **TD-LED** Trailer detection with LED sensing
- FRFS-BS** Frame rail free space - both sides to give space for crane legs or other equipment
- FBA-BTF** Lower front body attachments for torsionally flexible - platform body
- FBA-BTSF** Lower front body attachments for torsionally semi-flexible body - box or curtainsider
- HBA-FSFB** Holes for body attachments - flexible/semi-flexible body
- HBA-SB** Holes for body attachments - stiff body
- RBA-T2** Lower rear body attachments for helper frame
- AUXL-SPK** Electrical preparation kit - wiring and switch for snow plough lights
- TAILPRE2** Tail lift preparation kit, wireless remote operation
- TAILPREP** Taillift preparation kit - cab switch and warning in driver display
- AESW2** Two Body builder bistable electrical switches (marked AUX1 / AUX2)
- AESW2PK** 2 Body builder bistable el. switches (marked AUX1/AUX2) and prep. for 4 more switches
- AUXSW-4** Wiring for 4 extra switches (from Body builder electrical centre to switch positions)

### DELIVERY SERVICES

- **TGW-4GWL** Telematics gateway - GSM/GPRS/4G modem, LTE & WLAN
- FMS-PK** Fleet management system gateway - Required for aftermarket telematics
- DRUT1** Driver utility app - "My Truck" - 1 year subscription  
For mobile phone, tablet, with android and IOS systems.  
Only available with Volvo Connect subscription
- DRUT2** Driver utility app - "My Truck" - 2 year subscription  
For mobile phone, tablet, with android and IOS systems.  
Only available with Volvo Connect subscription

■ Standard Equipment                      □ Optional Equipment

For more detailed information about cab and powertrain equipment, please refer to separate specification sheets.

For all possible options and combinations of options please consult your Volvo sales contact who can create a specification to match your requirements using the Volvo Sales Support system (VSS).

The factory reserves the right to modify design and change equipment without previous notification. The specification can vary from country to country.

# MODEL RANGE

FMX13 6x6 Rigid - Rear Air Suspension - N3G FMX 66R 3A

---

Volvo Trucks. Driving Progress