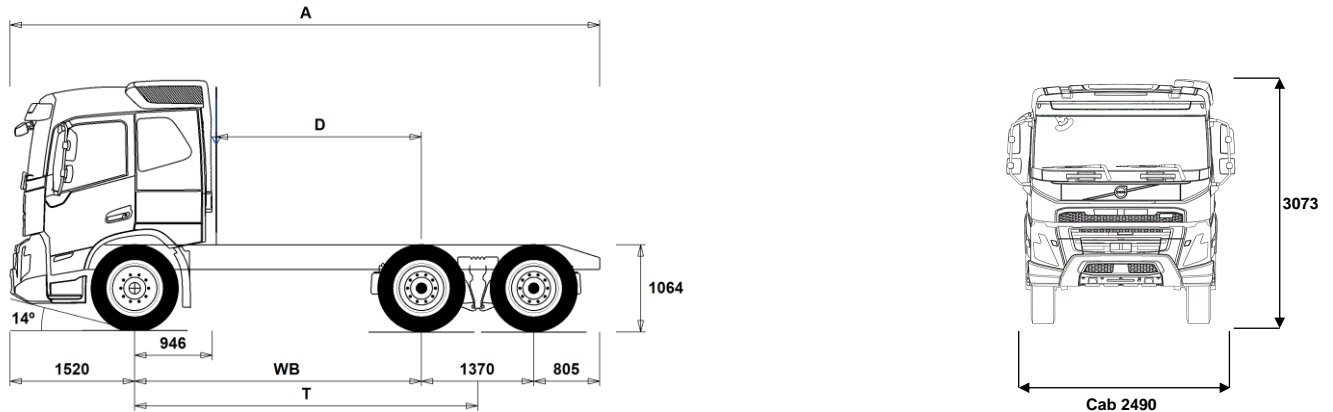


MODEL RANGE



Volvo Trucks. Driving Progress

New FMx13 6x4 Tractor Air Suspension FMX 64T 3A



Chassis Dimensions [mm]

WB Wheelbase	3000	3100	3200	3400	3600
A Overall Chassis Length	6695	6795	6895	7095	7295
D Center of rear axle to back of cab	2004	2104	2204	2404	2604
T Theoretical Wheelbase	3685	3785	3885	4085	4285

Chassis Weights [kg]

Front Axle	4550	4555	4565	4590	4605
Rear Bogie	3360	3355	3360	3355	3360
Kerb Weight	7910	7910	7925	7945	7965

Turning Diameter [mm]

Turning Circle Diameter Kerb to Kerb	13300	13600	13900	14500	15100
Turning Circle Diameter Wall to Wall	14800	15100	15400	16000	16600

Plated Weights [kg]

	Plated	Design
Gross Vehicle Weight	23000	28100
Gross Combination Weight	42500	44000
Front Axle	6500	7100
Rear Bogie	16500	21000

Important Notes

Chassis Dimensions

Cab Height: -4 mm for CAB-DAY, +370 mm for CAB-HSLP, -208 mm for CAB-LDAY, -208 mm for CAB-LSLP.

Front Axle to Back of Cab: -424 mm for CAB-DAY, -493 mm for CAB-LDAY, -6 mm for CAB-LSLP.

D-measure includes a front clearance of 50 mm and for rigid trucks also a subframe of 100 mm.

Height can vary ± 20 mm for leaf and ± 10 mm for air suspension.

All dimensions are for unladen chassis and any tag axles down. Chassis height used: CHH-HIGH.

Height change when chassis height CHH-MED,FRAME300: 0 mm.

Weight and dimensions are based upon the following tyres:

Front Axle Tyres: 315/80R22.5
Drive Axle Tyres: 315/80R22.5

Chassis weight includes oil, water, AdBlue, 0 litres fuel and without driver. Kerb weight can vary $\pm 3\%$.

Turning diameters are theoretically calculated.

Legal weights can differ from country to country.

For more detailed weight information, including optional equipment weights, ask your Volvo sales contact to enter your specification into the Volvo Weight Information system (WIS).

Do NOT use this drawing for bodybuilding. Refer to Volvo Bodybuilder Instructions and chassis assembly drawing FMX64T3A.

MODEL RANGE

New FMx13 6x4 Tractor Air Suspension FMX 64T 3A

Core components

- CHH-HIGH** Chassis height (high) approx 1025-1050mm (depending on tyre selection)
- CHH-MED** Approximate chassis height 900 mm
- RADD-GR** Rear air suspension
- FMX-DAY5** Day cab
- FMX-HSL5** Globetrotter cab
- FMX-SLP5** Sleeper cab
- EU5SCR-M** Eu5 SCR Selective Catalytic Reduction (mandatory)
- EU6SCR** Eu6 SCR (Particulate Filter + EGR) Turbo Single Stage
- D13C460** Engine, 13C litre, 460hp, 2300nm
- D13C500** Engine, 13C litre, 500hp, 2500nm
- D13C540** Engine, 13C litre, 540hp, 2600nm
- D13K460** Eu6 13 litre engine 460hp/2300nm/345kW
- D13K500** Eu6 13 litre engine 500hp/2500nm/368kW
- D13K540** Eu6 13 litre engine 540hp/2600nm/397kW
- EBR-VEB+** Volvo Engine Brake + (VEB+)
- AT2612F** Volvo I-shift-12 speed automatic transmission (2600nm)
- SPO2812** Volvo Dual Clutch I-shift - 12 speed semi power shift with overdrive (2800nm)
- ASO-C** Crawler gears
- ASO-ULC** Ultra low crawler gears
- RTH2610B** Volvo RTH2610B hub reduction rear axles
4 planet gears per hub
Axle rating: 26,000 kg
115 tonne train weight
(Application approved)
- RTS2310A** Single reduction tandem 23t GCW100t
- RTS2370B** Single reduction tandem 23t GCW70t

Packages

- INFODF** Information Platform with Dynafleet Support
- INFOMED** Information Platform-Medium
- INFONDF** Information Platform with Navigation & Dynafleet Support

Chassis

- FST-PAR** Parabolic leaf spring front suspension
- FST-PAR3** 3 leaf parabolic front springs (stiffer than normal)
- FAL6.5** Front axle load 6.5 tonnes
- FAL7.1** Front axle load 7.1 tonnes
- FAL7.5** Front axle load 7.5 tonnes
- FAL9.0** Front axle load 9.0 tonnes
- FSTAB** Front stabilizer, normal stiffness
- FSTAB2** Front stabiliser bar increased stiffness
- FSTAB3** Heavy duty front stabiliser bar
- RAL21** Rear suspension load rating: 21,000 kg
- RSTAB1** Rear stabiliser bar
- RSTAB3** Heavy duty rear stabiliser bar
- ACTST-TO** Volvo Dynamic Steering
- ASFE-PS** Dynamic steering active features with personal settings
- EBS-MED** Electronic Brake System (EBS) contains
ABS, Traction control, Hill start aid
Diff lock control, Brake assist
Wheel brake monitoring, EBS status
- TRCO-12V** 24v to 12v trailer lighting voltage converter
- TABS-12** 24v to 12v trailer ABS voltage converter
- FST7070** Frame section thickness 7mm
- FST8080** Frame section thickness 8mm
- FIL-FBEB** Liner (inner) - front of bogie to end of bogie
- FIL-TXEB** Liner (inner) - trans x-mem to end of bogie
- BBOX-AC** Across frame battery box
- BBOX-L** Battery box mounted on LHS chassis rail

- 2BATT225** 2x225 Ah batteries
- BATTAMP** Battery amperage indicator (in the DID)
- MSWI-C** Isolation toggle switch LHS of chassis
- MSWI-R** Isolation switch on key fob (press door lock twice to isolate)
- R385A71S** RHS 385 litre alloy fuel tank with steps
Min volume 180l
Max volume 460l
- Left fuel tank
Min volume 415l
Max volume 690l
- ADTP-L** AdBlue tank position - LHS
- ADTP-M** AdBlue tank position - Underbelly
- ADTP-R** AdBlue tank position - RHS
- ADB064** AdBlue tank 64 litres
- ADB090** AdBlue tank 90 litres
- ADB150** AdBlue tank 150 litres (underbelly)
- ADB190** AdBlue tank 190 litres (underbelly)
- FCAP-L** Fuel tank cap with lock
- ESH-REAR** Horizontal muffler with low rear facing outlet
- ESH-RIGH** Muffler horizontal, right exhaust outlet
- ESH-VERT** Muffler horizontal, vertical exhaust outlet on right hand side
- EXST-SSP** Stainless steel exhaust stack
- TBC-AUS** Trailer brake connections (suzy coils)
- TRBR-HCR** Hand controlled trailer brake, reduced pressure
- TRBR-STA** Stationary trailer brake control
- TRB-STRE** Automatic trailer brake activation (stretch brake)
- TL-LED** LED tail lights

Rims and Tyres

- RT-AL** 10 stud alloy disc rims (with long wheel studs)
- RT-ALDP** 10 stud dura-bright alloy disc rims (with long wheel studs)
- RT-ALDPD** 10 stud dura-bright alloy disc rims (with short wheel studs)
- RT-ALDU** 10 stud alloy disc rims (with short wheel studs)
- RT-ALP** 10 stud polished alloy disc rims (with long wheel studs)
- RT-ALPDU** 10 stud polished alloy disc rims (with short wheel studs)
- RT-STEEL** 10 stud steel disc rims
- SPWT-D** Spare rim & tyre equal to drive
- SPWT-F** Spare rim & tyre equal to steer
- SWCP-T2** Transport mounted spare wheel
- JACK-12T** 12 tonne capacity jack with brace
- JACK-15T** 15 tonne capacity jack and brace
- TOOL-BAS** Basic tools
- TOOLKIT** Tool kit complete
- INFLAHOS** Tyre inflation hose (20 metres)

Powertrain equipment

- TRAP-HD** Heavy Duty Transmission Internals
- DRM-BE** Drive Mode - Balanced Economy
- DRM-E** Drive Mode - Economy
- PVT-EXT** Topography Information... by GPS positioning & central storage data
- CRUIS-E** Extended cruise control (additional fuel saving functions)
- CRUISEC** Cruise control
- AMSO-AUT** Manual gear shift in automatic mode.
- AVO-ENH** AMT Vocational option - enhanced
- APF-ENH** Enhanced I-shift PTO functions
- CD43-O** Dual plate clutch 430 mm diameter
- CS43B-O** Volvo 430mm single plate clutch
- TC-MAOH2** High performance transmission cooler

- Standard Equipment
- Optional Equipment

For more detailed information about cab and powertrain equipment, please refer to separate specification sheets.

For all possible options and combinations of options please consult your Volvo sales contact who can create a specification to match your requirements using the Volvo Sales Support system (VSS).

The factory reserves the right to modify design and change equipment without previous notification. The specification can vary from country to country.

MODEL RANGE

New FMx13 6x4 Tractor Air Suspension FMX 64T 3A

- 2COM1100** Air compressor. 1100 litres/minute
- **AIRIN-HI** High air intake, roofline position
- AIRIN-LO** Low air intake, rear of cab position
- **ACL1ST-S** Air cleaner with two stage filter element
- **24AL120B** High capacity alternator, 120 Ampere.
- **24AL150B** Alternator - 150 Amp
- FUEFE2LW** Dual fuel filter, engine mounted with water separator-large
- PTER-100** PTO engine rear mounted with flange DIN100/ISO7646
- PTER-DIN** Power Take Off / splined shaft groove (female) DIN5462.
- PTER1400** Rear engine mounted power-take-off with flange SAE 1410
- HPE-F101** F1-101 Hydraulic pump rear engine mounted
- HPE-F41** F1-41 Hydraulic pump rear engine mounted
- HPE-F51** F1-51 Hydraulic pump rear engine mounted
- HPE-F61** F1-61 Hydraulic pump rear engine mounted
- HPE-F81** F1-81 Hydraulic pump rear engine mounted
- HPE-T53** F2-53/53 twin flow hyd pump rear engine mounted
- HPE-T70** F2-70/53 twin flow hyd pump rear engine mounted
- HPE-V45** V1-45 variable pump rear engine mounted
- HPE-V75** V1-75 variable pump rear engine mounted
- PTR-D** Low speed PTO with DIN connection
- PTR-DH** High speed PTO with DIN connection
- PTR-DM** Medium speed PTO with DIN connection
- PTR-F** Rear PTO trans.flange 100% speed
- PTR-FH** High speed PTO with flange connection
- PTR-FL** Low speed PTO with flange connection
- PTRD-F** PTO with 1 DIN + 1 flange connection rear
- HPG-F101** F1-101 hydraulic pump gearbox mounted
- HPG-F41** F1-41 hydraulic pump gearbox mounted
- HPG-F61** F1-61 hydraulic pump gearbox mounted
- HPG-F81** F1-81 hydraulic pump gearbox mounted
- DRC-AMII** DPF regeneration- auto initialise/manual on demand/manual inhibit
- DRC-AUTO** DPF regeneration- fully automatic (in motion)
- ACCLF-D** Acceleration Limiting Feature - disabled
- ACCLF-E** Acceleration Limiting Feature - enabled always
- ACCLF-S** Acceleration Limiting Feature - selectable
- **ESP-BAS1** ESP package (tractor/trailer combinations with ABS. Rigid with standard COG)
- ESP-BAS2** ESP package (tractor/trailer combinations without ABS)
- **HWSS-ACB** ACC & forward collision warning & emergency braking.
- **LSS-DW** With lane departure system
- **LCS** Lane change support
- **DAS-W** Driver alert support warning
- RSENS-W** Rain sensor to activate wipers
- CU-ECC** Climate controlled air conditioning
- **CU-MCC** Manual controlled air conditioning
- IMMOBIL** Engine immobiliser
- ALARM-B** Anti-theft alarm (cab)
- BUPMON** Back-up camera
- **WLIFT-AD** Electric windows
- WLIFT-EB** Electric windows
- **ISUNS-DS** Interior side sunvisor - driver's door
- ISUNF-B** Interior front sunvisor - standard
- ISUNF-MD** Interior front sunvisor - with mirror (driver's side)
- ISUNF-RE** Interior sunvisor - front (electric)
- **ISUNF-RM** Interior sunvisor - front (manual)
- ADFS** 2 din slots in front shelf
- **BUPALARM** Reverse alarm
- LOADIND** Load indicator, electronic controlled suspension (SUSPL-EC)
- REMC-MF** Multifunction wireless remote control
- **FIREX25A** Fire extinguisher 2.5 kg
- **WRITEPAD** Storable steering wheel fit clip board
- **DST-CF5** Fully adjustable driver's comfort seat
Air suspension, heated, integrated safety belt
- SBD-RED** Red safety belts, pass. & driver seats
- **SBPRE-DS** Drivers seat belt pretensioner
- **PST-BAS1** Basic passenger's seat
- PST-BENC** Passenger bench seat
- PST-CF5** Fully adjustable passenger comfort seat
Air suspension, heated, safety belt
- SBPRE-PS** Passenger seatbelt pretensioner
- ARM-DBPS** Armrests driver's both sides - passenger side single
- ARMRE-BB** Armrests both sides - driver's & passenger's seat
- **ARMRE-DB** Armrests both sides - driver's seat
- **ARU-BAS** Seat armrest upholstery - basic
- **GRABHI-B** Instep grab handle - standard
- **FMAT-RUB** Floor mats - rubber
- FMAT-TX2** Floor mats - textile & rubber
- LBK70** Lower bunk 700mm wide
- MATL-FI** Mattress lower bunk - firm
- MATL-SF** Mattress lower bunk - semi firm
- OLMAT-BA** Mattress overlay - basic
- TBK70F** Top bunk 700mm wide, foldable
- SAFE** Safe box at bed-end
- ETSB-F** Engine tunnel storage box
- ETSB-FR** Engine tunnel storage box & rear cab wall
- ETSB-R** Rear cab wall storage
- RUS-BAS** Rear upper cab storage - 154 litres, 300mm
- RUS-HIG** Rear upper cab storage - 245 litres, 440mm
- TABLE** Table
- REF-ICPK** Refrigerator prep kit (on engine tunnel)
- REFR-RUS** 28 litre refrigerator in upper rear storage
- MICRO-PK** Preparation kit for microwave
- BOTH-D** Bottle holder in driving area
- **INLI-BAS** Interior night lights
- INLI-NL** Interior white and red (night) light
- INLI-NLD** Interior light including night light and dimmer function
- ARL-FLEX** Flexible reading lamp (snake light)
- RH-ER** Roof hatch-electric (metal emergency exit)
- **RH-MTR** Roof hatch-manual (tinted glass & rear opening)
- SWIND-PS** Cab passenger side aux. window
- **AWIND-RF** Cab rear window- fitted
- VANMIR** Vanity mirror
- AS-FUS** Auxiliary shelf, front upper storage
- INFOT-PK** LCD screen mount - 6kgs max

Cab exterior

- **EXTL-BAS** Standard exterior trim level
- **DGLAS-H** Hardened door glass
- DGLAS-L** Laminated door glass
- **LOCK-CTL** Central door locking-Key
- LOCK-REM** Central door locking with remote control
- **BUMP-HD** Bumper - heavy duty
- GUARD-EH** Guard plate for cooling pipes and oil sump

■ Standard Equipment Optional Equipment

For more detailed information about cab and powertrain equipment, please refer to separate specification sheets.

For all possible options and combinations of options please consult your Volvo sales contact who can create a specification to match your requirements using the Volvo Sales Support system (VSS).

The factory reserves the right to modify design and change equipment without previous notification. The specification can vary from country to country.

MODEL RANGE

New FMx13 6x4 Tractor Air Suspension FMX 64T 3A

- **BUGNET** Insect net in front of radiator
- **CTILTP-E** Electrical cab tilt pump
- **FCABS-A** Front cab suspension-air bellows
- **FCABS-M** Front cab suspension-mechanical spring
- **RCABS-A** Rear cab suspension-air bellows
- **RCABS-M** Rear cab suspension-mechanical spring
- **MIRCOMFX** Electrically heated & operated convex glass mirrors
- **MIRFLACP** Electrically heated & operated flat glass mirrors with front monitoring camera on passenger side.
- **AMIR-F20** Close view mirror
- **SUNV-H** Exterior sunvisor
- **AD-ROOF** Aero-dynamic roof mounted deflector
- **AD-SIDEL** Aero-dynamic cab side deflectors
- **GUARD-W** Windscreen stoneguard
- **HL-BASIC** Standard head lamps
- **HL-CLEAN** Head lamp cleaning system
- **HLP-ST** Headlamp protection-steel
- **HLP-ST2** Headlamp protection-steel/wire mesh (non ADR compliant)
- **HL-ADJ** Headlight adjustment - manual
- **DRL-LED** V-shaped LED daytime running light
- **ASL-RF2** Auxiliary spotlights inside Globetrotter sign box
- **IDLAMP-A** Identification lamps-amber
- **BEACON-P** Beacon light wire preparation
- **SPOTP-F** Aux spotlight preparation, 280W maximum
- **CSGN-FMX** Globetrotter FMX decal
- **ANT-CBR** Antenna for CB radio, single antenna

Superstructure

- **5WM-OBLP** 5th wheel L-profiles
- **SRWL-PK** Wiring prep for chassis mounted reverse/working lamps-3 position switch
- **SWL-PK** Wiring prep for chassis-mounted working lamps-2 position switch
- **WL-TA1W** Fifth wheel light
- **WLC-H2W** 2 x H3/70W high mounted work lamps with white lens.
- **WLC-PKH** Prep kit for high mounted work lamps.
- **ECBB-HIG** Body builder module - cab module
- **BBCHAS1** Body builder chassis electrical interface, 1 x 7 pin connector
- **BBCHAS3** Body builder chassis electrical interface, 3 x 7 pin connectors
- **EXSTER** External steering via body builder's module
- **AESW2PK** 2 flexible switches (AUX1 & AUX2) + additional 4 flexible switches
- **AUXSW-4** 4 extra bi-stable switches wired to BBM

Delivery services

- **TGW-4GWL** Telematics Gateway with 4G/LTE & WLAN
- **FMS-PK** Fleet management system gateway
- **DRUT2** "My Truck" smartphone app. 2 year prepaid

VOLVO

Volvo Truck Corporation
volvotrucks.com