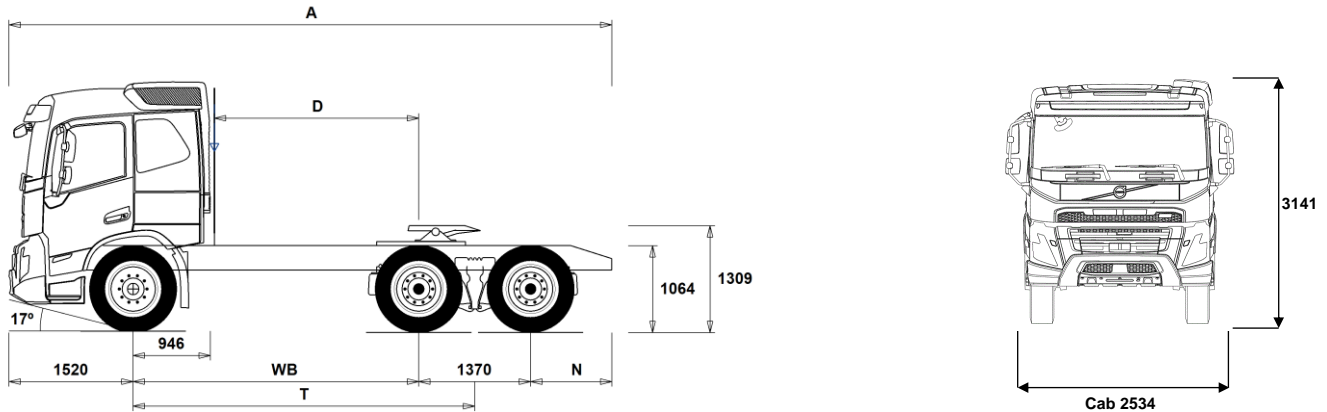


MODEL RANGE

FMX D13 64 Tractor Diesel Rear Air FMX 64T 3A



Chassis Dimensions [mm]

WB Wheelbase	3000	3200	3400	3600	3900
A Overall Chassis Length	6885	7085	7285	7485	7785
D Center of rear axle to back of cab	2004	2204	2404	2604	2904
N Rear Overhang (Min.)	805	805	805	805	805
N Rear Overhang (Max.)	995	995	995	995	995
T Theoretical Wheelbase	3685	3885	4085	4285	4585

Chassis Weights [kg]

Front Axle	4865	4880	4900	4915	4925
Rear Bogie	3490	3495	3500	3505	3510
Kerb Weight	8355	8375	8400	8420	8435

Turning Diameter [mm]

Turning Circle Diameter Kerb to Kerb	13300	13900	14500	15100	16100
Turning Circle Diameter Wall to Wall	14800	15400	16000	16600	17600

Plated Weights [kg]

	Design
Gross Vehicle Weight	29000
Gross Combination Weight	44000
Front Axle	8000
Rear Bogie	21000

Important Notes

Chassis Dimensions

Cab Height: -16 mm for CAB-DAY, +312 mm for CAB-HSLP, -278 mm for CAB-LDAY, -278 mm for CAB-LSLP.

Front Axle to Back of Cab: -431 mm for CAB-DAY, -500 mm for CAB-LDAY, -6 mm for CAB-LSLP.

D-measure includes a front clearance of 50 mm and for rigid trucks also a subframe of 100 mm.

Height can vary ± 20 mm for leaf and ± 10 mm for air suspension.

All dimensions are for unladen chassis and any tag axles down. Chassis height used: CHH-HIGH.

Height change when chassis height CHH-MED,FRAME300: 0 mm.

Weight and dimensions are based upon the following tyres:

Front Axle Tyres: 315/80R22.5
 Drive Axle Tyres: 315/80R22.5

Chassis weight includes oil, water, AdBlue, 0 litres fuel and without driver. Kerb weight can vary ± 3%.

Turning diameters are theoretically calculated.

Legal weights can differ from country to country.

For more detailed weight information, including optional equipment weights, ask your Volvo sales contact to enter your specification into the Volvo Weight Information system (WIS).

Do NOT use this drawing for bodybuilding. Refer to Volvo Bodybuilder Instructions and chassis assembly drawing FMX64T3A.

MODEL RANGE

FMX D13 64 Tractor Diesel Rear Air FMX 64T 3A

Transport operation

- RC-ROUGH** The truck is optimised to suit the type of road the truck is going to be used on. Using the Road Condition parameter facilitates specification of frame thickness, suspension and other features.
 - For driving on badly maintained surfaced roads and hard-packed sand or gravel and other surfaces of good or bad quality. These vehicles are robust and built for long-lasting usage in tough conditions
- RC-SMOOTH** The truck is optimised to suit the type of road the truck is going to be used on. Using the Road Condition parameter facilitates specification of frame thickness, suspension and other features.
 - For long-haul driving on well-maintained and less well-maintained surfaced roads

Core components

- CHH-HIGH** Chassis height high - approx. 1000 mm above ground level
- CHH-XHIGH** Chassis height extra high - approx. 1030 mm above ground level
- RADD-G2** Rear air suspension, 2 axles - 2 driven, high ground clearance
- RADD-GR** Rear air suspension, 2 axles - 2 driven
- FMX-DAY5** FMX Day cab
- FMX-HSL5** FMX Globetrotter sleeper cab
- FMX-LDA5** FMX Low Day cab
- FMX-LSL5** FMX Low sleeper cab
- FMX-SLP5** FMX Sleeper cab
- EU6HT** Turbo-TC Euro 6 emission level with High Torque EGR and particulate filter
- EU6SCR** Euro 6 emission level with Selective Catalytic Reduction (SCR), particulate filter and Exhaust Gas Recirculation (EGR)
- D13S420A** New:Diesel engine with Turbo-S, 12.8 litre Euro 6 SCR+EGR (Diesel Particulate Filter),420 hp,2100 NM
- D13S460A** New:Diesel engine with Turbo-S, 12.8 litre Euro 6 SCR+EGR (Diesel Particulate Filter),460 hp,2300 Nm
- D13S500A** New:Diesel engine with Turbo-S, 12.8 litre Euro 6 SCR+EGR(Diesel Particulate Filter),500 hp,2500 Nm
- D13S540A** New:Diesel engine Turbo-S, 12.8 litre Euro 6 SCR+EGR (Diesel Particulate Filter),540 hp,2600 Nm
- D13C540** Diesel engine, 12.8 litre Euro 5 SCR, 540 hp, 2600 Nm
- D13K420** Diesel engine, 12.8 litre Euro 6 SCR + EGR (Diesel Particulate Filter), 420 hp
- D13K460** Diesel engine, 12.8 litre Euro 6 SCR + EGR (Diesel Particulate Filter), 460 hp
- D13K500** Diesel engine, 12.8 litre Euro 6 SCR + EGR (Diesel Particulate Filter), 500 hp.
- D13K540** Diesel engine, 12.8 litre Euro 6 SCR + EGR (Diesel Particulate Filter), 540 hp
- EBR-EPG** Engine brake with exhaust pressure governor, EPG
- EBR-EPGC** Exhaust pressure governor with Volvo compression brake
- EBR-VEB+** Volvo Engine Brake, VEB+ (high efficiency compression brake with exhaust pressure governor, EPG)
- AT2412** I-Shift automated mechanical 12-speed gearbox without clutch pedal, max. engine torque 2400 Nm, max permitted GCW 44000 kg.
- AT2612** I-Shift automated mechanical 12-speed gearbox without clutch pedal, max. engine torque 2600 Nm, max.
- ATO2612** I-Shift automated mechanical 12-speed overdrive gearbox without clutch, max. engine torque 2600 Nm, max. Suitable for hub reduction rear axles.
- PT2606** Powertronic automatic 6-speed gearbox, max. engine torque 2600 Nm, max. permitted GCW 130000 kg
- SPO2812** Semi power shift dual clutch 12-speed overdrive gearbox, max. engine torque 2800 Nm, max permitted GCW 80 000 kg.
- ASO-C** One crawler gear
- ASO-ULC** Two crawler gears, one ultra low crawler and one crawler
- TAAXLIFT** Tandem axle lift for driven bogie axle

- RTH2610B** Rear hub reduction tandem axles - bogie load 26 tonnes, GCW 100 tonnes, 4 planet gears
- RTH2610F** Rear hub reduction tandem axles - bogie load 26 tonnes, GCW 100 tonnes, version F
- RTS2310A** Rear single reduction tandem axle - bogie load 23 tonnes, GCW100 tonnes
- RTS2370A** Rear single reduction tandem axles - bogie load 23 tonnes, GCW 70 tonnes

Packages

- FP-D13+** Fuel package for EU6 D13 engines
- AIRFLOW** Air flow package including roof & side air deflectors and chassis skirts
- DRIVE5** Driving package
- DRIVE5+** Driving plus package
- DRIVE5++** Driving plus/plus package
- 1LIVINFM** Living package 1 person
- 2LIVINFM** Living package 2 persons
- INFOBAS** Information package, basic
- INFODF** Information package prepared for Dynafleet vehicle onboard support
- INFOMED** Information package, medium
- INFONAV** Information package with Navigation support
- INFONDF** Information package with Navigation support and prepared for Dynafleet vehicle onboard support
- VISIX5** Visibility package FMX
- VISIXCAM**
- GSR2024** General safety regulations 2024
- GSR2024+** General safety regulations 2024 plus
- SAFE22** Safety package (VTE)
- SAFE22+** Safety Plus package (VTE)
- OFFROADD** Construction package for FM/FMX day cab
- OFFROADS** Construction package for sleeper cabs

Chassis

- FST-AIR** Front air suspension
- FST-PAR** 2 leaf front parabolic suspension (normal stiffness)
- FST-PAR3** 3 leaf front parabolic suspension (stiffer than normal)
- FSL5-BAS** Front air suspension basic levelling stroke
- FSL5-HI** Front air suspension high levelling stroke
- FAL10.0** Front axle load 10.0 tonnes
- FAL7.1** Front axle load 7.1 tonnes
- FAL7.5** Front axle load 7.5 tonnes
- FAL8.0** Front axle load 8.0 tonnes
- FAL8.5** Front axle load 8.5 tonnes
- FAL9.0** Front axle load 9.0 tonnes
- FSTAB** Front stabilizer with normal stiffness
- FSTAB2** Front stabilizer with medium high stiffness
- FSTAB3** Front stiff stabilizer
- RAL21** Rear axles load 21 tonnes
- RAL23** Rear axles load 23 tonnes
- RAL26** Rear axles load 26 tonnes
- RSTAB1** Rear stabilizer with normal stiffness
- RSTAB3** Rear stiff stabilizer
- RALIM105** First rear drive axle load limiter, 10.5 tonnes (speed controlled)
- RALIM115** First rear drive axle load limiter, 11.5 tonnes (speed controlled)
- RALIM13** First rear drive axle load limiter, 13 tonnes
- RALIM95** First rear drive axle load limiter, 9.5 tonnes
- ASF-DL1** Air suspension with 1 driving level
- ACTST-TO** Volvo Dynamic Steering (VDS) with extra pump and torque overlay
- ASFE-BAS** Volvo Dynamic Steering feature basic
- ASFE-OG** Volvo Dynamic Steering stability assist
- ASFE-PO** Volvo Dynamic Steering personal settings, stability assist
- ASFE-PS** Volvo Dynamic Steering personal settings
- PSS-SING** Single power steering system

Standard Equipment Optional Equipment

For more detailed information about cab and powertrain equipment, please refer to separate specification sheets.

For all possible options and combinations of options please consult your Volvo sales contact who can create a specification to match your requirements using the Volvo Sales Support system (VSS).

The factory reserves the right to modify design and change equipment without previous notification. The specification can vary from country to country.

MODEL RANGE

FMX D13 64 Tractor Diesel Rear Air FMX 64T 3A

<ul style="list-style-type: none"> ■ PSP-FIX Power steering pump with fixed displacement □ PSP-VAR Power steering pump with variable displacement □ PSP-VAR2 ■ EBS-MED EBS (Electronic Brake System) medium package: <ul style="list-style-type: none"> - ABS (Anti-lock Braking System) - Lining Wear Sensing (20 % left) - Lining Wear Control (incl. wear on the axle) - Brake Blending - Drag Torque Control - Diff Lock Synchronization - Diff lock Control - Brake Temperature Warning - External Brake Demand - Diagnosis Via Truck Electronic System - Traction Control System - Emergency Brake Assistance - Constant Wheel Brake Monitoring - Coupling Force Control - Automatic Parking Brake Activation - Lining Wear Analyses (calc of remaining mileage) - Auto hold - EBS status monitoring via Truck Electronic System □ AUXPARK Two extra parking brake chambers ■ RST-AIR Rear air suspension ■ SUSPL-EC Air suspension levelling with electronic control ■ FRAME300 Frame rail section external height 300 mm □ FST7070 Frame section thickness - web 7.0 mm / flange 7.0 mm ■ FST8080 Frame section thickness - web 8.0 mm / flange 8.0 mm □ FIL-EEEB Frame inner liner from end of engine end to end of bogie □ FIL-TXEB Frame inner liner from transmission cross member to end of bogie □ BBOX-EF Battery box at end of frame when single battery system. Starter battery box on left hand side when dual battery system. ■ BBOX-L Battery box on left hand side □ BATS-D Dual energy battery storage system (2 living batteries and 2 starter batteries) ■ BATS-S Single energy battery storage system (2 batteries) □ 2BAT210B Gel batteries 2x210 Ah ■ 2BAT210C AGM batteries 2x210 Ah ■ BATTAMP Battery voltage and ampere gauge □ BATTIND Battery voltage, ampere and battery status gauge with visual alerts □ ADR2 ADR adaptation - transportation of dangerous goods, 2 switches (1 inside cab in dashboard, 1 outside on cab back passenger side). □ MSWI-A ADR main switch - ADR switch circuit shut down ■ MSWI-C Chassis main switch - battery box placed toggle switch circuit shut down □ MSWI-R Remote controlled main switch - key fob operated circuit shut down ■ R330A71 Right 330 litre aluminium 710 mm high D-shaped diesel tank. Usable volume is 97% of stated volume. Min volume 150l Max volume 810l ■ UL-FUEL Without left diesel tank Min volume 160l Max volume 730l □ ADTP-BC AdBlue tank behind/under cab on right hand side □ ADTP-L AdBlue tank on left hand side (for dual front axles between the axles) ■ ADTP-R AdBlue tank on right hand side □ ADB048 AdBlue tank usable volume 48 litres, 560 mm high mounted on chassi side. □ ADB050 AdBlue tank usable volume 50 litres, mounted behind cab. 	<ul style="list-style-type: none"> ■ ADB064 AdBlue tank usable volume 64 litres, 710 mm high mounted on chassi side. □ ADB068 AdBlue tank usable volume 68 litres, 560 mm high mounted on chassi side. □ ADB083 AdBlue tank usable volume 83 litres, 560 mm high mounted on chassi side. □ ADB090 AdBlue tank usable volume 90 litres, 710 mm high mounted on chassi side. □ ADB100 AdBlue tank usable volume 100 litres, 710 mm high mounted on chassi side. □ ADB112 AdBlue tank usable volume 112 litres, 710 mm high mounted on chassi side. □ ADTC-BF AdBlue tank cover painted in silver metallic ■ FCAP-L The variant includes two or three lockable caps, one or two for the fuel tank(s) and one for the AdBlue tank, and two keys that fit all tank locks (not cab door locks). The number of fuel tank caps are depending of how many fuel tanks that are specified. ■ FUFF-AS Fuel filling anti-spillage device □ FUFF-ATS Fuel filling anti-theft and anti-spillage devices □ ESH-LEFT Horizontal muffler, left exhaust outlet ■ ESH-REAR Horizontal muffler, rear exhaust outlet □ ESH-VERT Horizontal muffler, vertical exhaust outlet on right hand side □ ESV-VERT Vertical muffler, vertical exhaust outlet on right hand side □ EXST-SSP Bright polished vertical stainless steel exhaust top pipe □ EXST-ST Aluminized steel vertical exhaust top pipe □ WHC-FIX2 Two fixed wheel chocks ■ WHC-FOL2 2 foldable wheel chocks ■ WHCP-F Wheel chock(s) in the front part of the vehicle. <ul style="list-style-type: none"> - TRACTOR, BBOX-L, Fold, 1/2 w chocks = Top of left side battery box - TRACTOR, BBOX-EF, Fold, 1/2 w chocks = Top of lefts side fuel tank - TRACTOR, BBOX-EF, Fix, 2 w chocks = Left frame front of fuel tank - RIGID, 1 front axle, Fold, 1/2 w chocks = Top of left side battery box - RIGID, 2 front axles, Fold, Frame free space, 2 wc = Top of left side battery box - RIGID, 2 front axles, Fix, W/o frame free space, 2 wc = Left frame behind 1st front wheel □ WHCP-M Wheel chock(s) in the middle part of the vehicle <ul style="list-style-type: none"> - TRACTOR, BBOX-L, Fix, 1/2 w chocks = Left frame front of rear wheels - RIGID, 1 front axle, Fix, 1/2 w chocks = Left frame front of (or behind) rear wheels □ WHCP-T Transport mounted wheel chock(s) in cab outer luggage compartment □ TB-L80 Left toolbox 800 mm length (mounting length 800 mm, real length 730 mm) □ TB-R80 Right toolbox 800 mm length (mounting length 800 mm, real length 730 mm) □ SUP-BAS Standard aluminium bars for side underrun protection □ SUP-LOW Low side underrun protection □ CHAIN-S The non-skid chains are on economical safety accessory that provides good grip owing to its square profile and S-shaped pattern. They are made of micro-alloy manganese steel and have a weight of 21 kg each. Using the chains does not cause any imbalance. They are supplied individually in sacks and spares are supplied with each chain. The variant includes one pair of chains except for all wheel drive 6*6, where two pairs are enclosed □ HOOK-SC The galvanised steel hooks are a practical solution developed to store the snow chains. For Rigid's there are two hooks attached in pre-punched
---	--

■ Standard Equipment

□ Optional Equipment

For more detailed information about cab and powertrain equipment, please refer to separate specification sheets.

For all possible options and combinations of options please consult your Volvo sales contact who can create a specification to match your requirements using the Volvo Sales Support system (VSS).

The factory reserves the right to modify design and change equipment without previous notification. The specification can vary from country to country.

MODEL RANGE

FMX D13 64 Tractor Diesel Rear Air FMX 64T 3A

<p>holes on each side of the frame rail side of the rear frame overhang. On Tractors, two hooks are mounted in an existing hole pattern on the end of the rear frame overhang and a protection shield prevents the air tank from being damaged by the snow chains. The hooks will protrude approximately 200 mm behind the chassis frame end. The weight increase for the four hooks on Rigids is approximately 3.5 kg and for Tractors with protection shield it is approximately 3 kg</p> <ul style="list-style-type: none"> ■ TOWF-HD1 One heavy duty front towing device ■ RFEC-B Rear frame end, bent (standard for tractor vehicles) □ TOWR-ONE One rear towing device in frame end cross member □ TREL15 15 pol electrical trailer connector (ADR certified) ■ TREL7-7 2x7 pol (24N+24S) electrical trailer connectors (UADR) ■ TBC-DUO Trailer brake connection, Duomatic □ TBC-EC Trailer brake connection, European Community ■ TRBR-STA Stationary trailer brake control □ TRB-STRE Automatic low speed trailer brake activation (stretch brake) to avoid jack-knifing and to improve steerability ■ RFEND-B The fenders have a robust three-piece design with a top part that can easily be removed (no tools required) facilitating access for body building and service. The fenders are manufactured from black plastic and received in different performance to suit chassis height and tyre dimension. The fender design fulfils the technical requirements of current EU directive. ■ RFH-BAS Optimal fender installation (rear and 2nd front axle) with regard to legal demands, wheel/tyre sizes, chassis height and fifth wheel height. □ RFH-HIG Highest fender installation (rear and 2nd front axle). Suitable for rough and very rough road conditions. □ RFH-LOW Lower fender installation (rear and 2nd front axle). Suitable only for smooth road conditions. Increased risk of fender top wear. □ ATANK-AL Aluminium air tanks ■ ATANK-ST Steel air tanks □ TL-LED The LED tail lamp has all functions integrated in the lamp housing: Tail light, exterior marker light, brake light, hazard warning, reverse light, rear fog light and reflector. All light functions have LED (Light Emitting Diode) lights, which means very low energy consumption. LED lamps are insensitive to vibration and have a very long operating life. They shine with the same high intensity throughout their lifetime. ■ BLIGHT-E Flashing brake lights will automatically activate in emergency braking. The flashing frequency is 4 Hz and emergency braking is detected if speed exceeds 50km/h and retardation is 4 m/s² or more. The function deactivates when retardation is less than 2.5 m/s² - Easier for road users to detect emergency braking. - Contributes to safety in congested traffic □ FRACLOS Frame end closing <p>Rims and Tyres</p> <ul style="list-style-type: none"> □ RT-AL Brushed aluminium rims with std holes (long stud fixing) on all axles □ RT-ALDP Dura-Bright polished aluminium rims with std holes (long stud fixing) on all axles □ RT-ALDPD Dura-Bright polished aluminium rims with countersunk holes (short stud fixing) on all axles □ RT-ALDU Brushed aluminium rims with countersunk holes (short stud fixing) on all axles ■ RT-STEEL Steel rims on all axles □ WCAP Wheel caps □ SPWT-D Spare wheel with tyre equal to drive 	<ul style="list-style-type: none"> □ SPWT-F Spare wheel with tyre equal to front wheel □ SWCP-LF Spare wheel carrier on left side in front of rear axle □ SWCP-T Plastic strips strapped to the chassis are used as a temporary spare wheel carrier. Note that the mounting only is temporary and used during transportation. □ SWCP-TP Plastic strips strapped to the chassis are used as a temporary spare wheel carrier. Note that the mounting only is temporary and used during transportation. An ordinary spare wheel carrier is also included. This carrier is transport mounted on top of the temporarily chassis frame strapped spare wheel. □ JACK-12T The hydraulic jack has a capacity of 12 tonnes and its low manual pumping force facilitates use in uncomfortable positions. It has a release valve, which permits safe, easy and precise control over rate of lowering and a filter in the oil reservoir gives protection from contamination. The jack has a minimum height of 180 mm and a maximum height of 315 mm. Weight: 7.3 kg □ JACK-15T The hydraulic jack has a capacity of 15 tonnes and its low manual pumping force facilitates use in uncomfortable positions. It has a release valve, which permits safe, easy and precise control over rate of lowering and a filter in the oil reservoir gives protection from contamination. The jack has a minimum height of 225 mm and a maximum height of 435 mm. Weight: 10.8 kg ■ JACK-20T The hydraulic jack has a capacity of 20 tonnes and its low manual pumping force facilitates use in uncomfortable positions. It has a release valve, which permits safe, easy and precise control over rate of lowering and a filter in the oil reservoir gives protection from contamination. The jack has a minimum height of 190 mm and a maximum height of 325 mm. Weight: 11.5 kg ■ TOOL-BAS This kit consists of a tool bag (case) including the following tools: <ul style="list-style-type: none"> • Combination screwdriver. - 1 screwdriver handle - 1 blade, Philips/flat blade - 1 blade, Torx T10/Torx T20 - 1 blade, Torx T25/Torx T27 - 1 blade, Torx T30/Torx T40 • Socket wrench. □ TOOLKIT This kit consists of a tool bag (case) including the following tools: <ul style="list-style-type: none"> • Combination screwdriver. - 1 screwdriver handle - 1 blade, Philips/flat blade - 1 blade, Torx T10/Torx T20 - 1 blade, Torx T25/Torx T27 - 1 blade, Torx T30/Torx T40 • Socket wrench. • Adjustable pliers. • Allen key. • Adjustable spanner. • Hammer. ■ INFLAHOS The tyre inflation hose is a 18 meter long air hose made of high quality rubber and equipped with nozzles on both ends. It can be used for filling air into a tyre by connecting the hose to an air tank valve on the truck. The tyre inflation hose is stored in the cab compartment for clean and easy access, either in the external luggage compartment (sleeper cab) or behind the seat (day cab). □ GAUGE-TP Tyre pressure gauge
---	---

■ Standard Equipment □ Optional Equipment

For more detailed information about cab and powertrain equipment, please refer to separate specification sheets.

For all possible options and combinations of options please consult your Volvo sales contact who can create a specification to match your requirements using the Volvo Sales Support system (VSS).

The factory reserves the right to modify design and change equipment without previous notification. The specification can vary from country to country.

Powertrain equipment

MODEL RANGE

FMX D13 64 Tractor Diesel Rear Air FMX 64T 3A

<input type="checkbox"/> TRAP-HD	Reinforced gearbox application. For manual gearboxes a heavy-duty nodular iron range housing. For I-shift gearboxes (2412 excl.) a reinforced gear shifting system.	<input type="checkbox"/> HPE-F101	Rear engine mounted hydraulic pump F1-101, fixed displacement, single flow
<input checked="" type="checkbox"/> DRM-BE	I-Shift drive mode balanced economy	<input type="checkbox"/> HPE-F41	Rear engine mounted hydraulic pump F1-41, fixed displacement, single flow
<input type="checkbox"/> DRM-E	I-Shift drive mode economy	<input type="checkbox"/> HPE-F51	Rear engine mounted hydraulic pump F1-51, fixed displacement, single flow
<input type="checkbox"/> PVT-BAS	Basic topography information, learning by GPS positioning	<input type="checkbox"/> HPE-F61	Rear engine mounted hydraulic pump F1-61, fixed displacement, single flow
<input type="checkbox"/> PVT-MAP	Map based topography information using a high resolution commercial topography map	<input type="checkbox"/> HPE-F81	Rear engine mounted hydraulic pump F1-81, fixed displacement, single flow
<input checked="" type="checkbox"/> CRUIS-E	Cruise control I-Cruise with controls in the steering wheel, I-Roll incl. Adding PVT-EXT/-MAP give I-See.	<input type="checkbox"/> HPE-T53	Rear engine mounted hydraulic pump F2-53/53, fixed displacement, twin flow
<input type="checkbox"/> CRUIS-E5	I-Torque, fuel economy optimized cruise control (including I-Roll)	<input type="checkbox"/> HPE-T70	Rear engine mounted hydraulic pump F2-70/35, fixed displacement, twin flow
<input type="checkbox"/> AMSO-AUT	I-shift manual gear shift available in automatic mode incl kickdown function	<input type="checkbox"/> HPE-V45	Rear engine mounted hydraulic pump VP1-45, variable displacement, single flow
<input type="checkbox"/> AVO-ENH	Enhanced I-shift software for construction and off road applications	<input type="checkbox"/> HPE-V75	Rear engine mounted hydraulic pump VP1-75, variable displacement, single flow
<input type="checkbox"/> APF-ENH	Enhanced I-shift PTO functions (Auto Neutral / Reverse Inhibit / Split Box Connection)	<input type="checkbox"/> PTPT-D	Automatic gearbox driven power take-off, 1 front/upper connection (DIN 5462 / ISO 7653) for plug-in pump (max. 850 Nm).
<input type="checkbox"/> RET-TH	Retarder (incl cooler) for manual and I-shift gearboxes with oil as brake fluid	<input type="checkbox"/> PTPT-F	Automatic gearbox driven Power take-off, 1 front/upper rear facing flange connection (SAE 1410 / ISO 7647) for propeller shaft (max. 850 Nm).
<input type="checkbox"/> RET-TPT	Retarder for hydraulic gearbox	<input type="checkbox"/> PTR-D	Mechanical gearbox driven low speed power take-off, 1 rear connection (DIN 5462 / ISO 7653) for plug-in pump (max. 1000 Nm).
<input type="checkbox"/> TC-HWO	Cooler for hydraulic gearboxes - water/oil	<input type="checkbox"/> PTR-DH	Mechanical gearbox driven high speed power take-off, 1 rear connection (DIN 5462 / ISO 7653) for plug-in pump (max. 600 Nm).
<input type="checkbox"/> TC-MAOH2	Extra high performance cooler for manual/I-shift gearboxes - air/oil	<input type="checkbox"/> PTR-DM	Mechanical gearbox driven medium speed power take-off, 1 rear connection (DIN 5462 / ISO 7653) for plug-in pump (max. 600 Nm).
<input checked="" type="checkbox"/> TC-MWO	Basic performance cooler for manual/I-Shift gearboxes - water/oil	<input type="checkbox"/> PTR-F	Mechanical gearbox driven low speed power take-off, 1 rear flange connection (SAE 1410 / ISO 7647) for propeller shaft (max. 1000 Nm).
<input type="checkbox"/> TC-MWOH2	High performance cooler for manual/I-Shift gearboxes - water/oil	<input type="checkbox"/> PTR-FH	Mechanical gearbox driven high speed power take-off, 1 rear flange connection (SAE 1310 / ISO 7647) for propeller shaft (max. 600 Nm).
<input type="checkbox"/> 2COM1100	Dual cylinder air compressor 760 cc / 1100 l/min	<input type="checkbox"/> PTR-FL	Mechanical gearbox driven low speed power take-off, 1 rear flange connection (SAE 1310 / ISO 7647) for propeller shaft (max. 600 Nm).
<input checked="" type="checkbox"/> 2COMP870	Dual cylinder/two stage air compressor - 560 cc	<input type="checkbox"/> PTRD-D	Mechanical gearbox driven high speed power take-off, 1 rear and 1 front connections (DIN 5462 / ISO 7653) for plug-in pumps (max. 870 Nm).
<input type="checkbox"/> 2COMP900	Dual cylinder air compressor - 636 cc	<input type="checkbox"/> PTRD-D1	Mechanical gearbox driven high speed power take-off, 1 rear flange connection (SAE 1410 / ISO 7647) for propeller shaft / 1 front connection (DIN 5462 / ISO 7653) for plug-in pump (max. 870 Nm).
<input type="checkbox"/> CLU-AIRC	Air compressor clutch automatically declutched when not needed in order to save fuel	<input type="checkbox"/> PTRD-D2	Mechanical gearbox driven power take-off, 2 rear flange (high-low speed) connections (SAE 1310/1410 / ISO 7647) for propeller shafts / 1 front (high speed) connection (DIN 5462 / ISO 7653) for plug-in pump (max. 870/1000 Nm).
<input checked="" type="checkbox"/> AIRIN-HI	High air intake	<input type="checkbox"/> PTRD-F	Mechanical gearbox driven high speed power take-off, 1 rear flange connection (SAE 1410 / ISO 7647) for propeller shaft (max. 870 Nm).
<input type="checkbox"/> AIRIN-LO	Low air intake	<input type="checkbox"/> HPG-F101	Gearbox mounted hydraulic pump F1-101, fixed displacement, single flow
<input type="checkbox"/> ACL1ST-S	Air cleaner with additional filter element (primary + secondary)	<input type="checkbox"/> HPG-F41	Gearbox mounted hydraulic pump F1-41, fixed displacement, single flow
<input checked="" type="checkbox"/> 24A110BL	Alternator 110 Ampere	<input type="checkbox"/> HPG-F51	Gearbox mounted hydraulic pump F1-51, fixed displacement, single flow
<input type="checkbox"/> 24A150BL	Alternator 150 Ampere	<input type="checkbox"/> HPG-F61	Gearbox mounted hydraulic pump F1-61, fixed displacement, single flow
<input type="checkbox"/> 24AL110B	Alternator 110 Ampere	<input type="checkbox"/> HPG-F81	Gearbox mounted hydraulic pump F1-81, fixed displacement, single flow
<input type="checkbox"/> 24AL150B	Alternator 150 Ampere		
<input type="checkbox"/> CCV-C	Closed crankcase ventilation		
<input type="checkbox"/> CCV-O	Open crankcase ventilation		
<input type="checkbox"/> PRIM-EL	An electrical fuel priming pump is available for the D11 and D13 Euro 6 engines. The pump makes it faster and easier to bleed the fuel system in the case of running low on fuel or other problems with the fuel system. The priming pump is included in the fuel filter housing.		
<input checked="" type="checkbox"/> PRIM-MAN	An electrical fuel priming pump is available for the D11 and D13 Euro 6 engines. The pump makes it faster and easier to bleed the fuel system in the case of running low on fuel or other problems with the fuel system. The priming pump is included in the fuel filter housing.		
<input type="checkbox"/> AF-E	Electrically heated fuel filter		
<input type="checkbox"/> AF-R	Hot fuel recirculation heated fuel filter		
<input checked="" type="checkbox"/> EST-AID	Engine start pre-heating element		
<input type="checkbox"/> 220EBH15	Engine block heater, 220 volt, 1.5 kW		
<input type="checkbox"/> PTER-100	Rear engine mounted clutch independent power-take-off with flange connection (DIN 100 / ISO 7646)		
<input type="checkbox"/> PTER-DIN	Rear engine mounted clutch independent PTO with splined shaft groove (female) for a close coupled pump (DIN 5462 / ISO 7653)		
<input type="checkbox"/> PTER1400	Rear engine mounted clutch independent power-take-off with flange connection (SAE 1410 / ISO 7647)		
<input checked="" type="checkbox"/> Standard Equipment		<input type="checkbox"/> STWPOS-L	Left hand drive
<input type="checkbox"/> Optional Equipment		<input type="checkbox"/> STWM-LE	Leather steering wheel
		<input type="checkbox"/> STGW-AD2	Mechanically adjustable steering wheel with neck tilt
		<input checked="" type="checkbox"/> STGW-ADJ	Mechanically adjustable steering wheel
		<input type="checkbox"/> AIRBAG	Airbag on driver side

Cab Interior, Driving

For more detailed information about cab and powertrain equipment, please refer to separate specification sheets.

For all possible options and combinations of options please consult your Volvo sales contact who can create a specification to match your requirements using the Volvo Sales Support system (VSS).

The factory reserves the right to modify design and change equipment without previous notification. The specification can vary from country to country.

MODEL RANGE

FMX D13 64 Tractor Diesel Rear Air FMX 64T 3A

<ul style="list-style-type: none"> <input type="checkbox"/> INST-BAS 24-HDV - Instrumentation, high performance 12" fully dynamic instrument cluster. CLASS-HDV - Basic level instrument cluster - 4 inch monochrome display 240x320 pix <input type="checkbox"/> DRC-AMII Regeneration control of diesel filter particulates - auto initiation / manual on demand / manual inhibition <input checked="" type="checkbox"/> DRC-AUTO Regeneration control of diesel filter particulates - fully automatic (in motion) <input type="checkbox"/> 1DAYDIG2 Gen 2 one day digital tachograph, EC approved <input checked="" type="checkbox"/> 1DAYDIG4 Gen 4 one day digital tachograph, EC approved <input type="checkbox"/> ARSL Additional road speed limiter (switch in dashboard) The additional road speed limiter allows the driver to define a temporary speed limit for the truck. This is a useful feature when entering a low-speed area. The driver activates the additional speed limiter by pressing a switch on the instrument panel and the current speed becomes the limit. The speed limiter is deactivated by pressing the switch and releasing the accelerator, lifting off to below 20% engagement. <input checked="" type="checkbox"/> ESP-BAS1 Electronic Stability Program package intended for RIGID single vehicles or vehicle combinations with standard centre of gravity height when laden and for TRACTOR vehicle combinations with a single trailer or multiple trailers with ABS/EBS. <input type="checkbox"/> ESPC-RO ESP (Electronic Stability Program) functionality control - Reduced / Off <input type="checkbox"/> HWSS-AC Adaptive cruise control with forward collision warning <input type="checkbox"/> HWSS-ACB Adaptive cruise control with forward collision warning (stationary and moving objects) and emergency braking. Using both radar and camera to collect info. <input checked="" type="checkbox"/> HWSS-FCB Forward collision warning (stationary and moving objects) with emergency braking <input checked="" type="checkbox"/> LSS-DW Lane keeping support - lane departure warning system <input type="checkbox"/> LCS Lane Change Support <input type="checkbox"/> LCS4 Side Collision Avoidance Support, passenger and driver side <input type="checkbox"/> DAS-W Driver Alert Support (drowsy driver warning) <input type="checkbox"/> RSENS-W Wiper rain sensor <input type="checkbox"/> CU-ECC Fully electrically controlled air conditioning with sun sensor <input type="checkbox"/> CU-ECC2 Fully electrically controlled air conditioning with sun sensor, mist sensor, air quality sensor and carbon filter <input checked="" type="checkbox"/> CU-MCC Electrical manually controlled air conditioning <input checked="" type="checkbox"/> IMMOBIL Immobiliser <input type="checkbox"/> ALARM-E Burglar alarm - cab/body/trailer <input type="checkbox"/> PHONE-PK Telephone preparation kit (antenna, antenna attachment, cable from antenna to radio shelf). <input type="checkbox"/> ISUNS-BS Manually manoeuvred side interior sun visor (roller blind type) on both sides <input checked="" type="checkbox"/> ISUNS-DS Manually manoeuvred side interior sun visor (roller blind type) on driver side <input type="checkbox"/> ISUNF-B Interior front plastic sun visors (driver and passenger side) without mirror on driver side <input type="checkbox"/> ISUNF-MD Interior front plastic sun visors (driver and passenger side) with mirror on driver side <input type="checkbox"/> ISUNF-RE Electrical textile interior sun visor (roller blind) integrated in front shelf <input checked="" type="checkbox"/> ISUNF-RM Manual interior textile sun visor (roller-blind) integrated in front shelf <input type="checkbox"/> ADFS Two extra DIN slots in front shelf (push/pull storage), 165x40x180 mm (WxHxD) <input type="checkbox"/> BUPALARM Reversing warning unit (back-up alarm) <input type="checkbox"/> RTOLL-PK Preparation kit for road toll collect (GPS/GSM antenna and cables) 	<ul style="list-style-type: none"> <input type="checkbox"/> LOADIND Load indicator with dashboard display. Measures axle pressures, load weight and total weight of truck and one trailer. <input type="checkbox"/> REMC-MF Wireless remote control - multi functional <input type="checkbox"/> FIREXT2G The fire extinguisher is an important part of the safety equipment. It is extremely reliable, has a high capacity and withstands temperatures down to -30°C. The fire extinguisher manages to extinguish fires in electrical systems and brakes. It is located on the driver side*, beside the seat, which makes it easy to reach in case of an accident. The placement of the fire extinguisher may vary depending on the specification, but it is always easily reachable by the driver. <input type="checkbox"/> FIREXT3S The fire extinguisher is an important part of the safety equipment. It is extremely reliable, has a high capacity and withstands temperatures down to -30°C. The fire extinguisher manages to extinguish fires in electrical systems and brakes. It is located on the driver side*, beside the seat, which makes it easy to reach in case of an accident. The placement of the fire extinguisher may vary depending on the specification, but it is always easily reachable by the driver. <input type="checkbox"/> WARNVEST The reflective vest makes a person clearly visible during work near a vehicle when it is dark or during other occasions when it is difficult to observe a person. It is made of yellow fluorescent textile, 100 % polyester, and it features two 50 mm wide reflective strips at the front and back. The reflective material is resistant to fuel and oil and works well in both wet and dry weather. The vest is stored in a plastic bag and it is washable at 40°C. Fulfils European standard according to EN 471 class 2. <input checked="" type="checkbox"/> WARNTRI2 Warning triangles are an important safety detail. They offer extra security in the event of an unplanned stop at the roadside, when they alert other road users to be careful and slow down in the area. Two triangles give the opportunity to observe vehicles in both direction, one to be positioned ahead of the truck and the second one behind. The two triangles are delivered in the tool box behind left seat, stripes for tool bag or on the left shelf luggage compartment <input checked="" type="checkbox"/> AIDKIT The first-aid kit features a well thought-out assortment of emergency treatment products for both minor and severe injuries: <ul style="list-style-type: none"> • 1 first-aid instruction • 1 pair of scissors • 2 triangular bandage, unbleached cotton cloth • 2 pairs of protective gloves (large) • 3 gauze bandages 80x4000 mm • 2 gauze bandages 60x4000 mm • 1 bandaging cloth 600x800 mm • 2 bandaging cloths 400x600 mm • 6 gauze dressings 100x100 mm (3x2) • 1 adhesive bandage 60x100 mm • 1 adhesive tape 25x5000 mm • 1 first-aid packet 100x120 mm • 3 first-aid packets 80x100 mm • 1 rescue sheet 1600x2100 mm (gold/silver) <input type="checkbox"/> AIDKIT1B First aid kit containing sticking plaster, compresses, elastic bandages, gloves, scissors, triangular bandage, bandaging cloths, adhesive tape and rescue sheet (German requirements) <input type="checkbox"/> WARNLAMP Portable warning lamp with batteries <input type="checkbox"/> LAMP-IN The inspection lamp is a device that is used to illuminate repairing areas during night or when the day light is not enough. It has a plug for connection into the lighter socket. The length of the electrical cable is 10 meters. The lamp is stored in a storage compartment on driver <input type="checkbox"/> BULBKIT Bulb and fuse kit
---	---

Standard Equipment Optional Equipment

For more detailed information about cab and powertrain equipment, please refer to separate specification sheets.

For all possible options and combinations of options please consult your Volvo sales contact who can create a specification to match your requirements using the Volvo Sales Support system (VSS).

The factory reserves the right to modify design and change equipment without previous notification. The specification can vary from country to country.

MODEL RANGE

FMX D13 64 Tractor Diesel Rear Air FMX 64T 3A

- WRITEPAD** Writing pad with spring-loaded paper clip

Cab Interior, Living

- **DST-CF1** Driver seat, comfort, suspended
- DST-CF4** Driver seat, comfort, suspended, belt in seat
- DST-CF5** Driver seat, comfort, suspended, belt in seat, electrically heated
- DST-CF6** Driver seat, comfort, suspended, belt in seat, electrically heated, ventilated
- SBD-RED** A three-point safety belt is the most effective system to reduce the risk of injuries in a traffic accident. The belts keep the driver and the passenger in position and catch the body in the best possible way in case of a collision. The red coloured safety belt improves and increases the safety image for transport companies, when it thanks to the clear colour is noticed and thereby distributes good reputation.
- SBPRE-DS** Driver seat belt pretensioner
- PST-BAS1** Passenger seat, basic, non suspended
- PST-CF4** Passenger seat, comfort, suspended, belt in seat
- PST-CF5** Passenger seat, comfort, suspended, belt in seat, electrically heated
- **PST-STD2** Passenger seat, regular, non suspended
- PST-STD4** Passenger seat, regular, suspended
- SBPRE-PS** Passenger seat belt pretensioner
- ARMRE-BB** Two armrests on both driver and passenger seats
- ARMRE-DB** Two armrests on driver seat
- ARMRE-PB** Two armrests on passenger seat
- ARU-BAS** Vinyl armrest upholstery
- ARU-LEA** Leather armrest upholstery
- **FMAT-RUB** Two black rubber floor mats
- FMAT-TX2** Two textile (dark grey on FH/FM, black on FH16) and two black rubber floor mats
- **LBK70** Lower fixed bunk, not foldable - 2000x700 mm. Safety net included.
- MATL-FI** Mattress lower bunk - firm for over approx. 100 kg, pocket springs.
- **MATL-SF** Mattress lower bunk - semi-firm up to approx 100 kg, pocket springs.
- OLMAT-BA** Overlay mattress protector, 28 mm thick black textile
- OLMAT-PR** Overlay mattress protector, 35 mm thick black textile
- TBK60F** Fixed top bunk 600x1900 mm, foldable up to 52 degrees to rear wall (depending on cab version and upper storage). Safety net included.
- TBK70F** Fixed top bunk 700x1900 mm, foldable up to 52 degrees to rear wall (depending on cab version and upper storage). Safety net included.
- PH-CAB2** Cab parking heater, 2 kW
- PH-ENGCA** Engine and cab parking heater
- PH-SS** Short stop heater
- SLCP-BAS** Basic sleeper control panel (controlling interior light, parking heater, roof hatch and door lock)
- ETSB-F** Storage on engine tunnel - on front top
- ETSB-FR** Storage on engine tunnel - on front top and at rear cab wall
- ETSB-FRS** Storage on engine tunnel - on front top & at rear cab wall & storage immersed into tunnel on RH side
- ETSB-FS** Storage on engine tunnel - on front top and storage immersed into tunnel on right hand side
- ETSB-R** Fixed engine tunnel storage box at rear cab wall
- ETSB-RS** Storage on engine tunnel - at rear cab wall and storage immersed into tunnel on right hand side
- ETSB-S** Storage on engine tunnel - immersed into tunnel on right hand side
- RUS-BAS** Rear cab upper storage 154 litres (300 mm high)
- RUS-HIG** Rear cab upper storage 245 litres (440 mm high)

- REF-ICPK** The kit consists of a bracket that is mounted on the engine tunnel and a hook that is mounted on the refrigerator side in order to strap it down to the bracket. The kit comes with all necessary equipment for installation of both the bracket and the refrigerator.
- REFR-RUS** 28 litre rear upper wall mounted refrigerator with deviders
- MICRO-PK** The front shelf above the passenger seat is prepared from factory with prerouted electrical cables for installation of a 24 V microwave oven. Cables for power supply and ground connections are included.
- BOTH-D** One 1.5 litre plastic soft-drink bottle holder under dashboard centre section
- COFMA-PK** Preparation kit (24V) for coffee maker
- **INLI-BAS** Interior white light with smooth light transition at on/off, no dimming
- INLI-NL** Interior white and red (night) light with smooth light transition at on/off
- INLI-NLD** Interior white and red (night) light with smooth light transition at on/off and dimmer
- ARL-FLEX** Two (driver and passenger side) reading lamps with flexible arms (snake lamps) and led lamps fitted on side walls
- **RH-EE** Without roof hatch, sky window / emergency exit (tinted glass)
- RH-ER** Roof hatch - Electrically operated / steel / emergency exit handle
- RH-ETR** Roof hatch - Electrically operated / Tinted glass / Rear opening
- RH-MTR** Roof hatch - Manually operated / Tinted glass / Rear opening
- **GLAS-TIN** Tinted windows (front/side/rear)
- SWIND-BS** Extra side window on both sides
- SWIND-PS** Rear side window on passenger side
- AWIND-RF** Rear fixed window (without curtains)
- VANMIR** Vanity mirror in front shelf lid.
In sleeper cab on passenger side and in high/extra high cabs in middle section of the front shelf.
- AS-FUS** One extra shelf in each of the two front upper storage compartments.
Only 1 shelf if microwave oven mounted in one of the two compartments.
- INFOT-PK** Preparation kit (bracket, security straps, power cable, antenna cable and aux cable) for mounting of a television above driver door.

Cab Exterior

- **EXTL-BAS** NEW-HDV: Exterior trim level basic
CLASS-HDV: Basic exterior finish in a lightning grey colour of cab surrounding parts (mirror housings, insteps, bumper and if fitted bumper spoiler and sun visor).
If fitted roof air deflector, side air deflector and chassis fairings are always painted in cab colour.
- **DGLAS-H** Tempered door glass
- DGLAS-L** Laminated door glass. A laminated safety glass can crack, but retains its protective effect for much longer. This means reduced risk of injury in case of an accident. This glass also provides better sound insulation.
The laminated door glass is tinted and has a water repellent treatment.
- LOCK-REM** Central door locking with remote control
- **BUMP-HD** Heavy duty front bumper
- AUXFS** Extra cab side foot-step
- GUARD-EH** Guard plate for cooling pipes and oil sump
- SIDEH-B** Guide rail on day cab driver side
- SIDSTP-R** Side ladder and guide rail on on day cab driver side
- **BUGNET** Radiator screen / Mosquito net (PVC coated fibreglass) in front of radiator
- CTILTPE** Electrical cab tilt pump

■ Standard Equipment

Optional Equipment

For more detailed information about cab and powertrain equipment, please refer to separate specification sheets.

For all possible options and combinations of options please consult your Volvo sales contact who can create a specification to match your requirements using the Volvo Sales Support system (VSS).

The factory reserves the right to modify design and change equipment without previous notification. The specification can vary from country to country.

MODEL RANGE

FMX D13 64 Tractor Diesel Rear Air FMX 64T 3A

■ CTILTP-M	Manual cab tilt pump	■ HORN-F1S	One front mounted (behind grille) single tone air horn, Jericho. Operated by steering wheel buttons.
□ FCABS-A	Air front cab suspension	□ HORN-R2S	Two roof mounted single tone chromed air horns. Operated by steering wheel buttons.
■ FCABS-M	Mechanical cab suspension	□ ANT-CBR	Right hand side roof mounted foldable antenna and cables for CB radio, single aerial.
□ RCABS-A	Air rear cab suspension	□ ACCBR-AP	Front, middle & rear roof mounted accessory brackets
■ RCABS-M	Mechanical rear cab suspension	□ ACCBR-F	Front roof mounted accessory bracket
□ MIRCFCPX	Electrically heated and operated rear view mirrors with a wide angle section on both sides and kerb observation mirror on the passenger side. Passenger corner camera in the mirror bracket at the passenger side.	□ ACCBR-FM	Front & middle roof mounted accessory brackets
■ MIRCOPFX	El heated & operated robust main rear view mirrors, electrically heated wide angle mirrors (both sides). Close view mirror on passenger side.	□ ACCBR-FR	Front & rear roof mounted accessory brackets
■ AMIR-F20	Front close view mirror above windscreen, passenger side (radius 200 mm)	□ ACCBR-M	Middle roof mounted accessory bracket
□ SUNV-H	Exterior transparent dark grey front sun visor	□ ACCBR-R	Rear roof mounted accessory bracket
□ AD-ROOF	Roof air deflector. Design (length, height etc.) automatically calculated and varies depending on vehicle total height (chassis height, cab type, tyres etc).	□ ACCBR-RM	Rear & middle roof mounted accessory brackets
□ AD-SIDEL	Long cab side air deflector	□ LADDER	Ladder back of cab
□ AD-SIDES	Short cab side air deflectors	□ REFS-TW	Reflecting white cab side stripes by-packed in cab
□ AD-CHASX	Chassis side skirts	□ REFS-TY	Reflecting yellow cab side stripes by-packed in cab
□ ADCF-F	Additional flap on chassis fairings	Superstructure preparations	
■ HL-BASIC	Halogen H7 head lamps	□ 5WM-ISHD	Fifth wheel ISO mounting on 16 mm mounting plates for heavy duty applications
□ HL-CLEAN	The headlamp cleaner is a high-pressure washer unit with nozzles integrated at the side of the headlamp. It works during high- or low beam and it is activated when the windscreen wiper switch is turned on. The cleaner mainly cleans high- and low beam area	■ 5WM-ISOM	Fifth wheel ISO mounting on medium L-profiles (t=8 mm) with 10 mm ISO tie plate. L-profile height above frame = 50 mm. Total height above frame 60 mm.
□ HLP-ST	Steel headlamp protection	□ 5WM-MASM	Fifth wheel mounting on adjustable manual slider and medium L-profiles (t=8 mm). Saddle not included. Total height above frame 50 mm. Specified fifth wheel position always gives rearmost position.
□ HLP-ST2	Steel wire mesh headlamp protection	□ 5WH150	Fifth wheel leg-height 150 mm
□ HL-ADJ	The headlamp adjustment control is used to change the height of the light beam. If there is a big difference between the chassis inclination angle when loaded and unloaded, this optional feature can be operated to avoid dazzling other road users. The function is not needed when chassis height is adjusted via the air suspension system height control.	□ 5WH185	Fifth wheel leg-height 185 mm
■ DRL-LED	V-shaped ("V-light") day running light (LED). Turned on low beam gives a dimmed "V-light".	□ 5WH190	Fifth wheel leg-height 190 mm
■ UDRIVL	Without auxiliary front driving lamps	□ 5WH290	Fifth wheel leg-height 290 mm
□ ASL-RF2	Two Hella H11 70W spot lamps in sign box (one on each side of the Globetrotter sign)	□ 5WT-JO11	Jost JSK 38G cast iron heavy duty fixed fifth wheel
□ BEACOA2F	Two LED warning lights on the cab front	■ 5WT-JO8	Jost JSK 37 cast iron fixed fifth wheel
□ BEACOA2R	Two LED warning lights on the cab rear	□ 5WT-JO9	Jost JSK 42 cast iron fixed fifth wheel
□ BEACON-P	Preparation kit	□ 5WT-JOHD	Jost JSK 38C cast iron heavy duty fixed fifth wheel
□ BEACONA4	Four LED warning lights on the cab front-rear	□ 5WT-SH	SAF-Holland/+GF+ SK-S 36.20 V cast iron fixed fifth wheel
□ CABPT-R1	One front cab roof pass through on passenger side	□ 5WT-SH2	SAF-Holland/+GF+ SK-HD 38.36 cast iron heavy duty fixed fifth wheel
■ CABPT-R2	Two front cab roof pass throughs, one on each side	□ 5WL-S1	Fifth wheel lubrication - locking mechanism and top plate
□ SPOTP-F	Spotlamp preparation in cab front, max 280W	□ TCIND	Trailer connection indication with sensors for height, kingpin and coupling lock
□ SPOTP-R	Spotlamp preparation on cab roof, max 280W	□ RDECK	Basic rear deck (one plate between frame rails and one over left fuel tank or left battery box)
□ SPOTP-RF	Spotlamp preparation on cab roof and in cab front, max 2x280W	□ RDECK-M	Medium rear deck (two plates between frame rails and one over left fuel tank or left battery box)
□ ROS-IL	Illuminated roof sign with switch in radio shelf. Switch for turning on/off.	□ SRWL-PK	Wiring preparation for chassis mounted working lamps and a 3-position switch (On/Off/Reverse auto on).
□ ROS-IL2	Preparation kit for installing an illuminated roof sign*. It includes a prerouted cable harness, a switch and LED-lamps. The switch is connected in the radio shelf middle section. Switch cap with icon, are enclosed in cab. Lamps in sign are mounted. The stripe in the Globetrotter window is selected via the cab sign variants	□ SWL-2RA	Two amber rear chassis-mounted (LH/RH side) LED working lamps and a 2-position switch (On/Off).
□ ROS-ILP	Wiring preparation kit (wires and switch) for cab sign or roof air deflector illumination	□ SWL-2RW	Two white rear chassis-mounted (LH/RH side) LED working lamps and a 2-position switch (On/Off).
□ CSGN-FMX	FMX decal in the cab roof sign area	□ SWL-PK	Wiring preparation for chassis mounted working lamps and a 2-position switch (On/Off).
■ Standard Equipment	□ Optional Equipment	□ WL-TA1A	Trailer arch working lamp with amber coloured lens and H3/35W bulb
		■ WL-TA1W	Trailer arch working lamp with white lens and LED/70W bulb
		□ WLC-H2A	Two H3/70W working lamps with amber coloured lens high mounted back of cab (switch incl).
		□ WLC-H2W	Two H3/70W working lamps, white lens high mounted back of cab (switch incl).
		□ WLC-PKH	Preparation kit (cables and switch) for high mounted working lamps back of cab (pass through in cab rear roof included). Max load 280W.
		□ WLC-PKL	Preparation kit (cables and switch) for low mounted working lamps back of cab (pass through in cab rear wall included). Max load 280W.

For more detailed information about cab and powertrain equipment, please refer to separate specification sheets.

For all possible options and combinations of options please consult your Volvo sales contact who can create a specification to match your requirements using the Volvo Sales Support system (VSS).

The factory reserves the right to modify design and change equipment without previous notification. The specification can vary from country to country.

MODEL RANGE

FMX D13 64 Tractor Diesel Rear Air FMX 64T 3A

- **WLC-PKLH** Preparation kit (cables and switch) for low and high mounted working lamps back of cab (pass throughs in rear wall and rear roof included). Max load 280W.
- **ECBB-BAS** Body builder electrical centre without any body builder module
- **ECBB-HIG** Body builder electrical centre with cab body builder module, 14 high and 4 low dig. outlet
- **ECBB-MED** Body builder electrical centre with cab body builder module, 7 high and 4 low dig. outlet
- **BBCHAS1** One 7-pole connector for Body builder interface.
Wiring harness routed from the bodybuilder electrical distribution box inside the cab to a connection point inside the right frame rail beside the gearbox.
- **BBCHAS3** Three 7-pole connectors for Body builder interface.
Wiring harness routed from the bodybuilder electrical distribution box inside the cab to a connection point inside the right frame rail beside the gearbox.
- **BEPR-T2** Body builder electrical software preparation for tipper with remote control
- **EXSTER** Support for external steering control via body builder module
- **TD-BAS** Trailer detection without LED sensor
- **TD-LED** Trailer detection with LED sensor
- **AUXL-SPK** Electrical preparation kit (wiring and a switch in dashboard) for snow plough lights.
Preparation for installation of additional headlights and additional turning indicators.
- **TAILPRE2** Tail lift preparation kit, wireless remote operation
- **TAILPREP** Tail lift preparation kit, wire remote operation
- **AESW2** Two Body builder bistable electrical switches (marked AUX1 / AUX2)
- **AESW2PK** Two Body builder bistable electrical switches (marked AUX1/AUX2) and in an empty 4-group preparation another four bistable switches with dummy switch caps
- **AUXSW-4** Wiring for 4 extra hardwired switches (from Body builder electrical centre to switch positions)

Services

- **TGW-4GWL** Telematics gateway with 4G modem
- **FMS-PK** Fleet Management System gateway, preparation kit
- **DRUT1** My Truck connects the vehicle to the smartphone app, 1 year prepaid subscription
- **DRUT2** My Truck connects the vehicle to the smartphone app, 2 year prepaid subscription
- **DRUT3** My Truck connects the vehicle to the smartphone app, 3 year prepaid subscription
- **DRUT4** My Truck connects the vehicle to the smartphone app, 4 year prepaid subscription
- **DRUT5** My Truck connects the vehicle to the smartphone app, 5 year prepaid subscription