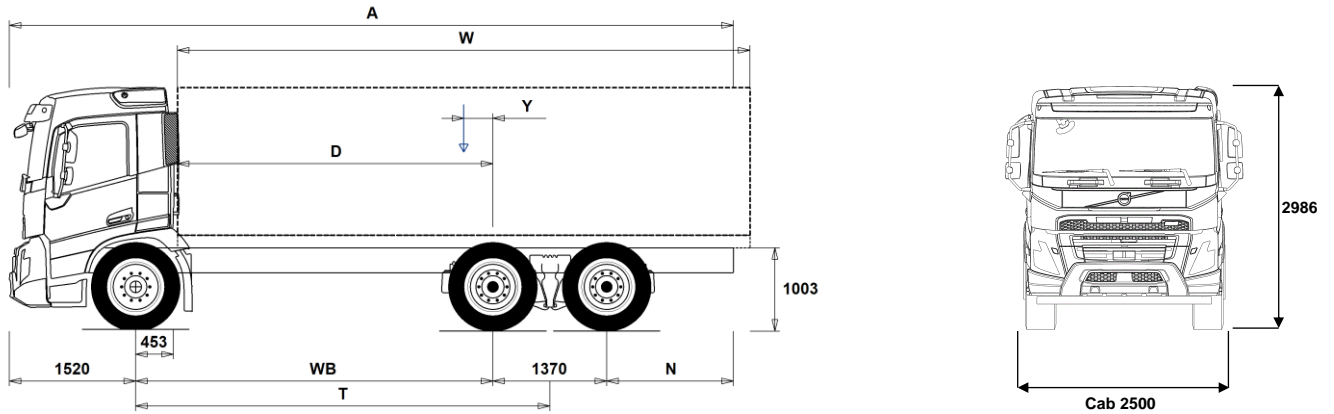


# MODEL RANGE

FMX 64 Rigid Electric FMX 64R E



## Chassis Dimensions [mm]

WB Wheelbase	3900	4100	4300	4600	4900	5200	5600
A Overall Chassis Length	9865	10065	9565	10015	10465	10965	11565
D Center of rear axle to front of body	3397	3597	3797	4097	4397	4697	5097
N Rear Overhang (Min.)	825	825	825	825	825	1225	1225
N Rear Overhang (Max.)	3075	3075	2375	2525	2675	2875	3075
T Theoretical Wheelbase	4585	4785	4985	5285	5585	5885	6285
Y Center of Gravity for Payload (Min.)	-132	-124	-125	-106	-88	-71	-52
Y Center of Gravity for Payload (Max.)	-132	-124	-125	-106	-88	-71	-52
W Body Length (Min.)	6833	7153	7473	7953	8433	8913	9553
W Body Length (Max.)	6833	7153	7473	7953	8433	8913	9553

## Chassis Weights [kg]

Front Axle	5725	5795	5885	5940	5995	6045	6120
Rear Bogie	4425	4400	4305	4275	4250	4240	4235
Kerb Weight	10150	10195	10190	10215	10245	10285	10355
Payload (including body, driver, fuel, etc.)	18850	18805	18810	18785	18755	18715	18645

## Turning Diameter [mm]

Turning Circle Diameter Kerb to Kerb	16100	16700	17300	18200	19100	20000	21300
Turning Circle Diameter Wall to Wall	17600	18200	18800	19700	20600	21500	22800

## Plated Weights [kg]

	Design
Gross Vehicle Weight	29000
Gross Combination Weight	32000
Front Axle	8000
Rear Bogie	21000

## Important Notes

### Chassis Dimensions

Cab Height: +374 mm for CAB-HSLP, -204 mm for CAB-LDAY, -204 mm for CAB-LSLP, +4 mm for CAB-SLP.

Front Axle to Back of Cab: +422 mm for CAB-HSLP and CAB-LSLP and CAB-SLP.

D-measure includes a front clearance of 50 mm and for rigid trucks also a subframe of 100 mm.

Height can vary ± 20 mm for leaf and ± 10 mm for air suspension.

All dimensions are for unladen chassis and any tag axles down. Chassis height used: CHH-MED.

Height change when chassis height CHH-HIGH: 0 mm.

Weight and dimensions are based upon the following tyres:

Front Axle Tyres: 315/80R22.5  
 Drive Axle Tyres: 315/80R22.5

Chassis weight includes oil, water, AdBlue, 0 litres fuel and without driver. Kerb weight can vary ± 10%.

Turning diameters are theoretically calculated.

Legal weights can differ from country to country.

For more detailed weight information, including optional equipment weights, ask your Volvo sales contact to enter your specification into the Volvo Weight Information system (WIS).

Do NOT use this drawing for bodybuilding. Refer to Volvo Bodybuilder Instructions and chassis assembly drawing FMX64RE.

# MODEL RANGE

## FMX 64 Rigid Electric FMX 64R E

### Transport operation

- **RC-SMOOT** Smooth road conditions.  
At least 95% of the driven distance on well maintained or less maintained surfaced roads.  
Driving occurs on:
  - Badly maintained surfaced roads.
  - Hard packed sand or gravel surface of good or bad quality.
- **GARB-PRE** Garbage preparation
- **SWAPBODY** Swap body vehicle preparation
- **TIPP-PRE** Tipper vehicle preparation
- **UNIFORM** Basic platform vehicle

### Core components

- **CHH-HIGH** Chassis height high - approx. 1000 mm above ground level
- **CHH-MED** Chassis height medium - approx. 900 mm above ground level
- **RADD-GR** Rear air suspension, 2 axles - 2 driven
- **FMXE-DAY** FMX Electric day cab
- **FMXE-HSL** FMX Electric high sleeper cab
- **FMXE-LDA** FMX Electric low day cab
- **FMXE-LSL** FMX Electric low sleeper cab
- **FMXE-SLP** FMX Electric sleeper cab
- **EPT2412** Electric propulsion transmission 2400nm 12 speed
- **NEM2** 2 electrical motors
- **NEM3** 3 electrical motors
- **TAAXLIFT** Tandem axle lift for driven bogie axle
- **RTS2370A** Rear single reduction tandem axles - bogie load 23 tonnes, GCW 70 tonnes

### Packages

- **INFONDF** Information package with Navigation support and prepared for Dynafleet vehicle onboard support
- **DRIV-E** Drive package
- **DRIV-E+** Drive Plus package
- **DRIV-E++** Drive Plus Plus package
- **1LIVFM-E** Living package, one person
- **2LIVFM-E** Living package, two persons
- **GSR2024** General safety regulations 2024
- **GSR2024+** General safety regulations 2024 plus
- **SAFE-E** Safety package
- **SAFE-E+** Safety package +
- **RANGOPT3** Range Optimization Package, three years prepaid subscription
- **RANGOPT4** Range Optimization Package, four years prepaid subscription
- **RANGOPT5** Range Optimization Package, five years prepaid subscription

### Chassis

- **FST-AIR** Front air suspension
- **FSLs-BAS** Front air suspension basic levelling stroke
- **FSLs-HI** Front air suspension high levelling stroke
- **FAL10.0** Front axle load 10.0 tonnes
- **FAL8.0** Front axle load 8.0 tonnes
- **FAL8.5** Front axle load 8.5 tonnes
- **FAL9.0** Front axle load 9.0 tonnes
- **FSTAB** Front stabilizer with normal stiffness
- **FSTAB2** Front stabilizer with medium high stiffness
- **FSTAB3** Front stiff stabilizer
- **RAL21** Rear axles load 21 tonnes
- **RAL23** Rear axles load 23 tonnes
- **RAL26** Rear axles load 26 tonnes
- **RSTAB1** Rear stabilizer with normal stiffness
- **RSTAB3** Rear stiff stabilizer
- **RALIM105** First rear drive axle load limiter, 10.5 tonnes (speed controlled)
- **RALIM115** First rear drive axle load limiter, 11.5 tonnes (speed controlled)
- **RALIM13** First rear drive axle load limiter, 13 tonnes
- **RALIM95** First rear drive axle load limiter, 9.5 tonnes

- **ASF-DL1** Air suspension with 1 driving level
- **ASF-DL3** Air suspension with 3 driving levels
- **ACTST-TO** Volvo Dynamic Steering (VDS) with extra pump and torque overlay
- **ASFE-BAS** Volvo Dynamic Steering feature basic
- **ASFE-OG** Volvo Dynamic Steering stability assist
- **ASFE-PO** Volvo Dynamic Steering personal settings, stability assist
- **ASFE-PS** Volvo Dynamic Steering personal settings
- **AUXPARK** Two extra parking brake chambers
- **RST-AIR** Rear air suspension
- **FRAME300** Frame rail section external height 300 mm
- **FST8080** Frame section thickness - web 8.0 mm / flange 8.0 mm
- **FIL-EEEB** Frame inner liner from end of engine end to end of bogie
- **FIL-EEEF** Frame inner liner from end of engine end to end of frame
- **FIL-FBEB** Frame inner liner from front of bogie to end of bogie
- **FIL-FBEF** Frame inner liner from front of bogie to end of frame
- **FIL-TXEB** Frame inner liner from transmission cross member to end of bogie
- **FIL-TXEF** Frame inner liner from transmission cross member to end of frame
- **BATTAMP** Battery ampere
- **BATTIND** Battery charge indication
- **WHC-FIX2** Two fixed wheel chocks
- **WHC-FOL1** 1 foldable wheel chock
- **WHC-FOL2** 2 foldable wheel chocks
- **WHCP-M** Wheel chock(s) in the middle part of the vehicle  
- TRACTOR, BBOX-L, Fix, 1/2 w chocks = Left frame front of rear wheels  
- RIGID, 1 front axle, Fix, 1/2 w chocks = Left frame front of (or behind) rear wheels
- **WHCP-R** Wheel chock(s) in the rear part of the vehicle  
- RIGID, 1 front axle, Fix, 1/2 w chocks = Left frame rear (or front) of rear wheels
- **WHCP-T** Transport mounted wheel chock(s) in cab outer luggage compartment
- **SUP-BAS** Standard aluminium bars for side underrun protection
- **CHAIN-S** Snow chains
- **HOOK-SC** The galvanised steel hooks are a practical solution developed to store the snow chains. For Rigid's there are two hooks attached in pre-punched holes on each side of the frame rail side of the rear frame overhang. On Tractors, two hooks are mounted in an existing hole pattern on the end of the rear frame overhang and a protection shield prevents the air tank from being damaged by the snow chains. The hooks will protrude approximately 200 mm behind the chassis frame end.  
The weight increase for the four hooks on Rigid's is approximately 3.5 kg and for Tractors with protection shield it is approximately 3 kg
- **TOWF-HD1** One heavy duty front towing device
- **TOWMBRH** High mounted towing member, in centre of frame
- **TOWMBRL1** Towing member, low mounted under the frame (position 1)
- **TOWMBRL2** Towing member, low and forward mounted under the frame (position 2)
- **TOWMBRL3** Towing member, low and far forward mounted under the frame, (position 3)
- **TOWMBRM** Towing member, medium mounted in line with frame lower flange
- **RFEC-L** Rear frame end cut for rigid vehicles with low mounted towing member in forward position, for example:  
Tail lift
- **RFEC-S** Standard rear frame end cut for rigid vehicles.
- **RFEC-U** Rear frame end cut for rigid vehicles where a short overhang and an upper frame end cut for the body is required, for example:  
Refuse rear loader

- Standard Equipment
- Optional Equipment

For more detailed information about cab and powertrain equipment, please refer to separate specification sheets.

For all possible options and combinations of options please consult your Volvo sales contact who can create a specification to match your requirements using the Volvo Sales Support system (VSS).

The factory reserves the right to modify design and change equipment without previous notification. The specification can vary from country to country.

# MODEL RANGE

## FMX 64 Rigid Electric FMX 64R E

<ul style="list-style-type: none"> <li><input type="checkbox"/> <b>C-RI4040</b> Tipper Hooklift</li> <li><input type="checkbox"/> <b>C-RI4045</b> Towing coupling Ringfeder RF4040A G-150</li> <li><input type="checkbox"/> <b>C-RI5050</b> Towing coupling Ringfeder RF4045A G-150</li> <li><input type="checkbox"/> <b>C-RO400G</b> Towing coupling Rockinger 400 G-150</li> <li><input type="checkbox"/> <b>C-RO50</b> Towing coupling Rockinger 50 mm</li> <li><input type="checkbox"/> <b>C-VBG520</b> Towing coupling VBG 5200D</li> <li><input type="checkbox"/> <b>C-VBG795</b> Towing coupling VBG 795V</li> <li><input type="checkbox"/> <b>TOWR-ONE</b> It is possible to use the frame end cross member as a towing cross member. This is restricted to infrequently used vehicles for short distance "on site" transport where a towing device is required. The towing cross member also has to be reinforced. This is achieved using a U-profile. TOWR-ONE features a reinforced end member and a lockable towing pin. It is dimensioned for an 8 tons single axle trailer or a 30 tons double axle trailer.</li> <li><input type="checkbox"/> <b>TREL-PK</b> Trailer electrical preparation kit (chassis/cab wiring)</li> <li><input type="checkbox"/> <b>TREL15</b> 15 pol electrical trailer connector (ADR certified)</li> <li><input type="checkbox"/> <b>TREL7-7</b> 2x7 pol (24N+24S) electrical trailer connectors (UADR)</li> <li><input type="checkbox"/> <b>TBC-DUO</b> Trailer brake connection, Duomatic</li> <li><input type="checkbox"/> <b>TBC-EC</b> Trailer brake connection, European Community</li> <li><input type="checkbox"/> <b>TRBR-STA</b> Stationary trailer brake control</li> <li><input type="checkbox"/> <b>TRB-STRE</b> Automatic low speed trailer brake activation (stretch brake) to avoid jack-knifing and to improve steerability</li> <li><input type="checkbox"/> <b>RFEND-B</b> The fenders have a robust three-piece design with a top part that can easily be removed (no tools required) facilitating access for body building and service. The fenders are manufactured from black plastic and received in different performance to suit chassis height and tyre dimension. The fender design fulfils the technical requirements of current EU directive.</li> <li><input type="checkbox"/> <b>RFEND-T</b> The rear fenders are temporary fixed on the frame of Rigid trucks for transport on own wheels from factory to body builder. This is done in order to fulfill legal safety requirements. There are two different sizes of fenders, one for single tyres and one for twin tyres.</li> <li><input type="checkbox"/> <b>RFH-BAS</b> Optimal fender installation (rear and 2nd front axle) with regard to legal demands, wheel/tyre sizes, chassis height and fifth wheel height.</li> <li><input type="checkbox"/> <b>RFH-HIG</b> Highest fender installation (rear and 2nd front axle). Suitable for rough and very rough road conditions.</li> <li><input type="checkbox"/> <b>RFH-LOW</b> Lower fender installation (rear and 2nd front axle). Suitable only for smooth road conditions. Increased risk of fender top wear.</li> <li><input type="checkbox"/> <b>AUXATNK</b> With an auxiliary air tank the truck will have extra capacity for the air suspension system. This is especially useful when the driver frequently uses the levelling system with the engine turned off (i.e. when the compressor is not operating). The levelling system's reaction time also improves with this extra tank. The position of the tank varies depending on the position of the spare wheel carrier: <ul style="list-style-type: none"> <li>– Above the spare wheel when the spare wheel carrier is fitted ahead of the axle on the left side (SWCP-LF).</li> <li>– Under the frame on the left side for all other positions of the spare wheel carrier.</li> </ul>                     The auxiliary air tank is available for 6x2/6x4/8x4 with rear air suspension                 </li> <li><input type="checkbox"/> <b>RESTS-W</b> Reflecting white stripes mounted on chassis side (underrun prot./toolbox/between fenders/overhang)</li> <li><input type="checkbox"/> <b>REST-RUP</b> Reflecting red stripes mounted on rear underrun protection</li> </ul>	<ul style="list-style-type: none"> <li>■ <b>BLIGHT-E</b> Flashing brake lights will automatically activate in emergency braking. The flashing frequency is 4 Hz and emergency braking is detected if speed exceeds 50km/h and retardation is 4 m/s<sup>2</sup> or more. The function deactivates when retardation is less than 2.5 m/s<sup>2</sup></li> <li><input type="checkbox"/> <b>FRACLOS</b> Frame end closing</li> </ul> <h3>Rims and Tyres</h3> <ul style="list-style-type: none"> <li>■ <b>RT-AL</b> Brushed aluminium rims with std holes (long stud fixing) on all axles</li> <li><input type="checkbox"/> <b>RT-ALDP</b> Dura-Bright polished aluminium rims with std holes (long stud fixing) on all axles</li> <li><input type="checkbox"/> <b>RT-ALDPD</b> Dura-Bright polished aluminium rims with countersunk holes (short stud fixing) on all axles</li> <li><input type="checkbox"/> <b>RT-ALDU</b> Brushed aluminium rims with countersunk holes (short stud fixing) on all axles</li> <li><input type="checkbox"/> <b>SPWT-D</b> Spare wheel with tyre equal to drive</li> <li><input type="checkbox"/> <b>SPWT-F</b> Spare wheel with tyre equal to front wheel</li> <li><input type="checkbox"/> <b>SWCP-R</b> Rear mounted spare wheel carrier behind axle on the right hand side of the chassis. It is preferred for longer wheelbases, WB4300 and longer. Due to the spare wheel carrier's location on the rear overhang, all chassis space between front and rear axles can be used for fuel tanks, toolboxes etc.</li> <li><input type="checkbox"/> <b>SWCP-T</b> Plastic strips strapped to the chassis are used as a temporary spare wheel carrier. Note that the mounting only is temporary and used during transportation.</li> <li><input type="checkbox"/> <b>SWCP-TP</b> Plastic strips strapped to the chassis are used as a temporary spare wheel carrier. Note that the mounting only is temporary and used during transportation. An ordinary spare wheel carrier is also included. This carrier is transport mounted on top of the temporarily chassis frame strapped spare wheel.</li> <li><input type="checkbox"/> <b>JACK-12T</b> Jack 12 tonnesThe hydraulic jack has a capacity of 12 tonnes and its low manual pumping force facilitates use in uncomfortable positions. It has a release valve, which permits safe, easy and precise control over rate of lowering and a filter in the oil reservoir gives protection from contamination. The jack has a minimum height of 180 mm and a maximum height of 315 mm. Weight: 7.3 kg</li> <li><input type="checkbox"/> <b>JACK-15T</b> The hydraulic jack has a capacity of 15 tonnes and its low manual pumping force facilitates use in uncomfortable positions. It has a release valve, which permits safe, easy and precise control over rate of lowering and a filter in the oil reservoir gives protection from contamination. The jack has a minimum height of 225 mm and a maximum height of 435 mm. Weight: 10.8 kg</li> <li><input type="checkbox"/> <b>JACK-20T</b> The hydraulic jack has a capacity of 20 tonnes and its low manual pumping force facilitates use in uncomfortable positions. It has a release valve, which permits safe, easy and precise control over rate of lowering and a filter in the oil reservoir gives protection from contamination. The jack has a minimum height of 190 mm and a maximum height of 325 mm. Weight: 11.5 kg</li> <li>■ <b>TOOL-BAS</b> This kit consists of a tool bag (case) including the following tools: <ul style="list-style-type: none"> <li>• Combination screwdriver.</li> <li>– 1 screwdriver handle</li> <li>– 1 blade, Philips/flat blade</li> <li>– 1 blade, Torx T10/Torx T20</li> <li>– 1 blade, Torx T25/Torx T27</li> <li>– 1 blade, Torx T30/Torx T40</li> <li>• Socket wrench.</li> </ul> </li> <li><input type="checkbox"/> <b>TOOLKIT</b> This kit consists of a tool bag (case) including the following tools: <ul style="list-style-type: none"> <li>• Combination screwdriver.</li> <li>– 1 screwdriver handle</li> <li>– 1 blade, Philips/flat blade</li> </ul> </li> </ul>
--	---

For more detailed information about cab and powertrain equipment, please refer to separate specification sheets.

For all possible options and combinations of options please consult your Volvo sales contact who can create a specification to match your requirements using the Volvo Sales Support system (VSS).

The factory reserves the right to modify design and change equipment without previous notification. The specification can vary from country to country.

# MODEL RANGE

## FMX 64 Rigid Electric FMX 64R E

- 1 blade, Torx T10/Torx T20
  - 1 blade, Torx T25/Torx T27
  - 1 blade, Torx T30/Torx T40
  - Socket wrench.
  - Adjustable pliers.
  - Allen key.
  - Adjustable spanner.
  - Hammer.
- **INFLAHOS** The tyre inflation hose is a 18 meter long air hose made of high quality rubber and equipped with nozzles on both ends. It can be used for filling air into a tyre by connecting the hose to an air tank valve on the truck.  
The tyre inflation hose is stored in the cab compartment for clean and easy access, either in the external luggage compartment (sleeper cab) or behind the seat (day cab).
  - **GAUGE-TP** Tyre pressure gauge
- ### Powertrain equipment
- **DRM-BE** Drive mode, balanced and economy
  - **PVT-MAP** Map based topography information using a high resolution commercial topography map
  - **EPTC270** Electric power-take off torque capacity 270 nm
  - **HPM-F101** Hydraulic pump F1-101 for electrical motor, fixed displacement pump
  - **HPM-F41** Hydraulic pump F1-41 for electrical motor, fixed displacement pump
  - **HPM-F51** Hydraulic pump F1-51 for electrical motor, fixed displacement pump
  - **HPM-F61** Hydraulic pump F1-61 for electrical motor, fixed displacement pump
  - **HPM-F81** Hydraulic pump F1-81 for electrical motor, fixed displacement pump
  - **HPM-T42** Hydraulic pump F2-42/42 for electrical motor, twin flow displacement pump
  - **HPM-T53** Hydraulic pump F2-53/53 for electrical motor, twin flow displacement pump
  - **HPM-T55** Hydraulic pump F2-55/28 for electrical motor, twin flow displacement pump
  - **HPM-T70** Hydraulic pump F2-70/35 for electrical motor, twin flow displacement pump
  - **HPM-V130** Hydraulic pump VP1-130 for electrical motor, variable displacement pump.
  - **HPM-V45** Hydraulic pump VP1-45 for electrical motor, variable displacement pump.
  - **HPM-V75** Hydraulic pump VP1-75 for electrical motor, variable displacement pump.
  - **HPM-V95** Hydraulic pump VP1-95 for electrical motor, variable displacement pump.
  - **PTR-D** Mechanical gearbox driven low speed power take-off, 1 rear connection (DIN 5462 / ISO 7653) for plug-in pump (max. 1000 Nm).
  - **PTR-DH** Mechanical gearbox driven high speed power take-off, 1 rear connection (DIN 5462 / ISO 7653) for plug-in pump (max. 600 Nm).
  - **PTR-DM** Mechanical gearbox driven medium speed power take-off, 1 rear connection (DIN 5462 / ISO 7653) for plug-in pump (max. 600 Nm).
  - **PTR-F** Mechanical gearbox driven low speed power take-off, 1 rear flange connection (SAE 1410 / ISO 7647) for propeller shaft (max. 1000 Nm).
  - **PTR-FH** Mechanical gearbox driven high speed power take-off, 1 rear flange connection (SAE 1310 / ISO 7647) for propeller shaft (max. 600 Nm).
  - **PTR-FL** Mechanical gearbox driven low speed power take-off, 1 rear flange connection (SAE 1310 / ISO 7647) for propeller shaft (max. 600 Nm).
  - **PTRD-D** Mechanical gearbox driven high speed power take-off, 1 rear and 1 front connections (DIN 5462 / ISO 7653) for plug-in pumps (max. 870 Nm).
  - **PTRD-D1** Mechanical gearbox driven high speed power take-off, 1 rear flange connection (SAE 1410 / ISO 7647) for propeller shaft / 1 front connection (DIN 5462 / ISO 7653) for plug-in pump (max. 870 Nm).
  - **PTRD-D2** Mechanical gearbox driven power take-off, 2 rear flange (high-low speed) connections (SAE 1310/1410 / ISO 7647) for propeller shafts / 1 front (high speed) connection (DIN 5462 / ISO 7653) for plug-in pump (max. 870/1000 Nm).
  - **PTRD-F** Mechanical gearbox driven high speed power take-off, 1 rear flange connection (SAE 1410 / ISO 7647) for propeller shaft (max. 870 Nm).
  - **HPG-F101** Gearbox mounted hydraulic pump F1-101, fixed displacement, single flow
  - **HPG-F41** Gearbox mounted hydraulic pump F1-41, fixed displacement, single flow
  - **HPG-F51** Gearbox mounted hydraulic pump F1-51, fixed displacement, single flow
  - **HPG-F61** Gearbox mounted hydraulic pump F1-61, fixed displacement, single flow
  - **HPG-F81** Gearbox mounted hydraulic pump F1-81, fixed displacement, single flow
- ### Cab Interior, Driving
- **CRUIS-E** Cruise control I-Cruise with controls in the steering wheel, I-See incl. Adding PVT-MAP give I-See.
  - **STWPOS-L** Left hand drive
  - **STWM-LE** Leather steering wheel
  - **STGW-AD2** Mechanically adjustable steering wheel with neck tilt
  - **1DAYB** One day analogue tachograph, basic
  - **1DAYDIG2** Gen 2 one day digital tachograph, EC approved
  - **1DAYDIG4** Gen 4 one day digital tachograph, EC approved
  - **TAC-PK2** Preparation kit tachograph, TAS-PK, TAC-PK
  - **ARSL** Additional road speed limiter (switch in dashboard)  
The additional road speed limiter allows the driver to define a temporary speed limit for the truck. This is a useful feature when entering a low-speed area.  
The driver activates the additional speed limiter by pressing a switch on the instrument panel and the current speed becomes the limit. The speed limiter is deactivated by pressing the switch and releasing the accelerator, lifting off to below 20% engagement.
  - **SPEED-DU** SPEED-DU is an electrical preparation kit for rear loaded refuse collection vehicles. The SPEED-DU variant supports the fulfillment of the demands in regulation EN1501-1 for "foot step" at the back of the truck.  
Trucks ordered with this variant are equipped with a BBM electronic control unit connector with prepared wires often used by RCVs. The Speed limit function limits the vehicle speed to default 30 km/h when there is an input from the chassis on the "foot step" input. It will also apply the brakes and force the engine to low idle if the gear lever is put into reverse gear position while the "foot step" input is active. It will, at the same time, inhibit the reverse gear from being engaged in trucks equipped with the Powertronic or I-Shift-gearbox, provided that the I-Shift is equipped with the gearbox variant APF-ENH. A special icon is shown in the instrument cluster display when the function is active (footstep occupied).
  - **ESP-BAS1** Electronic Stability Program package intended for RIGID single vehicles

■ Standard Equipment      □ Optional Equipment

For more detailed information about cab and powertrain equipment, please refer to separate specification sheets.

For all possible options and combinations of options please consult your Volvo sales contact who can create a specification to match your requirements using the Volvo Sales Support system (VSS).

The factory reserves the right to modify design and change equipment without previous notification. The specification can vary from country to country.

# MODEL RANGE

## FMX 64 Rigid Electric FMX 64R E

<ul style="list-style-type: none"> <li><input type="checkbox"/> <b>ESPC-RO</b> ESP (Electronic Stability Program) functionality control - Reduced / Off</li> <li><input type="checkbox"/> <b>HWSS-AC</b> Adaptive cruise control with forward collision warning</li> <li><input type="checkbox"/> <b>HWSS-ACB</b> Adaptive cruise control with forward collision warning (stationary and moving objects) and emergency braking. Using both radar and camera to collect info.</li> <li><input checked="" type="checkbox"/> <b>HWSS-FCB</b> Forward collision warning (stationary and moving objects) with emergency braking</li> <li><input checked="" type="checkbox"/> <b>LSS-DW</b> Lane keeping support - lane departure warning system</li> <li><input checked="" type="checkbox"/> <b>LCS4</b> Side Collision Avoidance Support, passenger and driver side</li> <li><input type="checkbox"/> <b>DAS-W</b> Driver Alert Support (drowsy driver warning)</li> <li><input type="checkbox"/> <b>RSSENS-W</b> Wiper rain sensor</li> <li><input checked="" type="checkbox"/> <b>CU-ECC</b> Fully electrically controlled air conditioning with sun sensor</li> <li><input type="checkbox"/> <b>CU-ECC2</b> Fully electrically controlled air conditioning with sun sensor, mist sensor, air quality sensor and carbon filter</li> <li><input checked="" type="checkbox"/> <b>IMMOBIL</b> Immobiliser</li> <li><input type="checkbox"/> <b>ALARM-E</b> Burglar alarm - cab/body/trailer</li> <li><input type="checkbox"/> <b>ISUNS-BS</b> Manually manoeuvred side interior sun visor (roller blind type) on both sides</li> <li><input checked="" type="checkbox"/> <b>ISUNS-DS</b> Manually manoeuvred side interior sun visor (roller blind type) on driver side</li> <li><input type="checkbox"/> <b>ISUNF-RE</b> Electrical textile interior sun visor (roller blind) integrated in front shelf</li> <li><input checked="" type="checkbox"/> <b>ISUNF-RM</b> Manual interior textile sun visor (roller-blind) integrated in front shelf</li> <li><input type="checkbox"/> <b>ADFS</b> Two extra DIN slots in front shelf (push/pull storage), 165x40x180 mm (WxHxD)</li> <li><input checked="" type="checkbox"/> <b>BUPALARM</b> Reversing warning unit (back-up alarm)</li> <li><input type="checkbox"/> <b>RTOLL-PK</b> Preparation kit for road toll collect (GPS/GSM antenna and cables)</li> <li><input checked="" type="checkbox"/> <b>LOADIND</b> Load indicator with dashboard display. Measures axle pressures, load weight and total weight of truck and one trailer.</li> <li><input type="checkbox"/> <b>REMC-MF</b> Wireless remote control - multi functional</li> <li><input type="checkbox"/> <b>FIREXT2G</b> The fire extinguisher is an important part of the safety equipment. It is extremely reliable, has a high capacity and withstands temperatures down to -30°C. The fire extinguisher manages to extinguish fires in electrical systems and brakes. It is located on the driver side*, beside the seat, which makes it easy to reach in case of an accident. The placement of the fire extinguisher may vary depending on the specification, but it is always easily reachable by the driver.</li> <li><input checked="" type="checkbox"/> <b>FIREXT3S</b> The fire extinguisher is an important part of the safety equipment. It is extremely reliable, has a high capacity and withstands temperatures down to -30°C. The fire extinguisher manages to extinguish fires in electrical systems and brakes. It is located on the driver side*, beside the seat, which makes it easy to reach in case of an accident. The placement of the fire extinguisher may vary depending on the specification, but it is always easily reachable by the driver.</li> <li><input type="checkbox"/> <b>WARNVEST</b> Reflective warning vest. The reflective vest makes a person clearly visible during work near a vehicle when it is dark or during other occasions when it is difficult to observe a person. It is made of yellow fluorescent textile, 100 % polyester, and it features two 50 mm wide reflective strips at</li> </ul>	<p>or vehicle combinations with standard centre of gravity height when laden and for TRACTOR vehicle combinations with a single trailer or multiple trailers with ABS/EBS.</p> <ul style="list-style-type: none"> <li><input checked="" type="checkbox"/> <b>WARNTRI2</b> Two warning triangles</li> <li><input type="checkbox"/> <b>AIDKIT</b> The first-aid kit features a well thought-out assortment of emergency treatment products for both minor and severe injuries: <ul style="list-style-type: none"> <li>• 1 first-aid instruction</li> <li>• 1 pair of scissors</li> <li>• 2 triangular bandage, unbleached cotton cloth</li> <li>• 2 pairs of protective gloves (large)</li> <li>• 3 gauze bandages 80x4000 mm</li> <li>• 2 gauze bandages 60x4000 mm</li> <li>• 1 bandaging cloth 600x800 mm</li> <li>• 2 bandaging cloths 400x600 mm</li> <li>• 6 gauze dressings 100x100 mm (3x2)</li> <li>• 1 adhesive bandage 60x100 mm</li> <li>• 1 adhesive tape 25x5000 mm</li> <li>• 1 first-aid packet 100x120 mm</li> <li>• 3 first-aid packets 80x100 mm</li> <li>• 1 rescue sheet 1600x2100 mm (gold/silver)</li> </ul> </li> <li><input type="checkbox"/> <b>AIDKIT1B</b> First aid kit containing sticking plaster, compresses, elastic bandages, gloves, scissors, triangular bandage, bandaging cloths, adhesive tape and rescue sheet (German requirements)</li> <li><input type="checkbox"/> <b>WARNLAMP</b> Portable warning lamp with batteries</li> <li><input type="checkbox"/> <b>LAMP-IN</b> Inspection lamp with 10 m cable</li> <li><input type="checkbox"/> <b>BULBKIT</b> Bulb and fuse kit</li> <li><input type="checkbox"/> <b>WRITEPAD</b> Writing pad with spring-loaded paper clip</li> </ul> <p><b>Cab Interior, Living</b></p> <ul style="list-style-type: none"> <li><input checked="" type="checkbox"/> <b>DST-CF4</b> Driver seat, comfort, suspended, belt in seat</li> <li><input type="checkbox"/> <b>DST-CF5</b> Driver seat, comfort, suspended, belt in seat, electrically heated</li> <li><input type="checkbox"/> <b>DST-CF6</b> Driver seat, comfort, suspended, belt in seat, electrically heated, ventilated</li> <li><input type="checkbox"/> <b>SBD-RED</b> Red safety belts, passenger and driver seats. Improves and increases the safety image for transport companies.</li> <li><input type="checkbox"/> <b>PST-BAS1</b> Passenger seat, basic, non suspended</li> <li><input type="checkbox"/> <b>PST-CF4</b> Passenger seat, comfort, suspended, belt in seat</li> <li><input type="checkbox"/> <b>PST-CF5</b> Passenger seat, comfort, suspended, belt in seat, electrically heated</li> <li><input checked="" type="checkbox"/> <b>PST-STD2</b> Passenger seat, regular, non suspended</li> <li><input type="checkbox"/> <b>PST-STD4</b> Passenger seat, regular, suspended</li> <li><input type="checkbox"/> <b>SBPRE-PS</b> Passenger seat belt pretensioner</li> <li><input type="checkbox"/> <b>ARMRE-BB</b> Two armrests on both driver and passenger seats</li> <li><input type="checkbox"/> <b>ARMRE-DB</b> Two armrests on driver seat</li> <li><input type="checkbox"/> <b>ARMRE-PB</b> Two armrests on passenger seat</li> <li><input type="checkbox"/> <b>ARU-BAS</b> Vinyl armrest upholstery</li> <li><input type="checkbox"/> <b>ARU-LEA</b> Leather armrest upholstery</li> <li><input checked="" type="checkbox"/> <b>FMAT-RUB</b> Two black rubber floor mats</li> <li><input type="checkbox"/> <b>FMAT-TX2</b> Two textile (dark grey on FH/FM, black on FH16) and two black rubber floor mats</li> <li><input type="checkbox"/> <b>LBK70</b> Lower fixed bunk, not foldable - 2000x700 mm. Safety net included.</li> <li><input type="checkbox"/> <b>MATL-FI</b> Mattress lower bunk - firm for over approx. 100 kg, pocket springs.</li> <li><input type="checkbox"/> <b>MATL-SF</b> Mattress lower bunk - semi-firm up to approx 100 kg, pocket springs.</li> <li><input type="checkbox"/> <b>OLMAT-BA</b> Overlay mattress protector, 28 mm thick black textile</li> <li><input type="checkbox"/> <b>OLMAT-PR</b> Overlay mattress protector, 35 mm thick black textile</li> <li><input type="checkbox"/> <b>TBK60F</b> Fixed top bunk 600x1900 mm, foldable up to 52 degrees to rear wall (depending on cab version and upper storage). Safety net included.</li> </ul>
---	---

Standard Equipment       Optional Equipment

For more detailed information about cab and powertrain equipment, please refer to separate specification sheets.

For all possible options and combinations of options please consult your Volvo sales contact who can create a specification to match your requirements using the Volvo Sales Support system (VSS).

The factory reserves the right to modify design and change equipment without previous notification. The specification can vary from country to country.

# MODEL RANGE

## FMX 64 Rigid Electric FMX 64R E

<input type="checkbox"/> <b>TBK70F</b>	Fixed top bunk 700x1900 mm, foldable up to 52 degrees to rear wall (depending on cab version and upper storage). Safety net included.	<input type="checkbox"/> <b>CTILT-P-E</b>	Electrical cab tilt pump
<input type="checkbox"/> <b>SLCP-BAS</b>	Basic sleeper control panel (controlling interior light, parking heater, roof hatch and door lock)	<input checked="" type="checkbox"/> <b>CTILT-P-M</b>	Manual cab tilt pump
<input type="checkbox"/> <b>ETSB-F</b>	Storage on engine tunnel - on front top	<input type="checkbox"/> <b>FCABS-A</b>	Air front cab suspension
<input type="checkbox"/> <b>ETSB-FR</b>	Storage on engine tunnel - on front top and at rear cab wall	<input checked="" type="checkbox"/> <b>FCABS-M</b>	Mechanical cab suspension
<input type="checkbox"/> <b>ETSB-FRS</b>	Storage on engine tunnel - on front top & at rear cab wall & storage immersed into tunnel on RH side	<input type="checkbox"/> <b>RCABS-A</b>	Air rear cab suspension
<input type="checkbox"/> <b>ETSB-FS</b>	Storage on engine tunnel - on front top and storage immersed into tunnel on right hand side	<input checked="" type="checkbox"/> <b>RCABS-M</b>	Mechanical rear cab suspension
<input type="checkbox"/> <b>ETSB-R</b>	Fixed engine tunnel storage box at rear cab wall	<input checked="" type="checkbox"/> <b>MIRCFPX</b>	Electrically heated and operated rear view mirrors with a wide angle section on both sides and kerb
<input type="checkbox"/> <b>ETSB-RS</b>	Storage on engine tunnel - at rear cab wall and storage immersed into tunnel on right hand side	<input type="checkbox"/> <b>MIRFLA3</b>	Flat electrically heated and operated exterior mirrors with wide angle and close view mirror on passenger side
<input type="checkbox"/> <b>ETSB-S</b>	Storage on engine tunnel - immersed into tunnel on right hand side	<input checked="" type="checkbox"/> <b>AMIR-F20</b>	Front close view mirror above windscreen, passenger side (radius 200 mm)
<input type="checkbox"/> <b>RUS-BAS</b>	Rear cab upper storage 154 litres (300 mm high)	<input type="checkbox"/> <b>SUNV-H</b>	Exterior transparent dark grey front sun visor
<input type="checkbox"/> <b>RUS-HIG</b>	Rear cab upper storage 245 litres (440 mm high)	<input type="checkbox"/> <b>AD-ROOF</b>	Roof air deflector. Design (length, height etc.) automatically calculated and varies depending on vehicle total height (chassis height, cab type, tyres etc).
<input type="checkbox"/> <b>REF-ICPK</b>	The kit consists of a bracket that is mounted on the engine tunnel and a hook that is mounted on the refrigerator side in order to strap it down to the bracket. The kit comes with all necessary equipment for installation of both the bracket and the refrigerator.	<input type="checkbox"/> <b>AD-SIDES</b>	Short cab side air deflectors
<input type="checkbox"/> <b>REFR-RUS</b>	28 litre rear upper wall mounted refrigerator with deviders	<input type="checkbox"/> <b>AD-CHASX</b>	Chassis side skirts
<input type="checkbox"/> <b>MICRO-PK</b>	The front shelf above the passenger seat is prepared from factory with prerouted electrical cables for installation of a 24 V microwave oven. Cables for power supply and ground connections are included.	<input type="checkbox"/> <b>ADCF-F</b>	Additional flap on chassis fairings
<input checked="" type="checkbox"/> <b>BOTH-D</b>	One 1.5 litre plastic soft-drink bottle holder under dashboard centre section	<input type="checkbox"/> <b>HLP-ST</b>	Steel headlamp protection
<input type="checkbox"/> <b>COFMA-PK</b>	Preparation kit (24V) for coffee maker	<input type="checkbox"/> <b>HLP-ST2</b>	Steel wire mesh headlamp protection
<input checked="" type="checkbox"/> <b>INLI-BAS</b>	Interior white light with smooth light transition at on/off, no dimming	<input checked="" type="checkbox"/> <b>DRL-LED</b>	V-shaped ("V-light") day running light (LED). Turned on low beam gives a dimmed "V-light". Without day running light (dimmed V-light)
<input type="checkbox"/> <b>INLI-NL</b>	Interior white and red (night) light with smooth light transition at on/off	<input type="checkbox"/> <b>UDRL</b>	Without day running light (dimmed V-light)
<input type="checkbox"/> <b>INLI-NLD</b>	Interior white and red (night) light with smooth light transition at on/off and dimmer	<input type="checkbox"/> <b>ASL-RF2</b>	Two Hella H11 70W spot lamps in sign box (one on each side of the Globetrotter sign)
<input type="checkbox"/> <b>ARL-FLEX</b>	Two (driver and passenger side) reading lamps with flexible arms (snake lamps) and led lamps fitted on side walls	<input type="checkbox"/> <b>IDLAMP-A</b>	Three middle front roof mounted amber identification lamps
<input checked="" type="checkbox"/> <b>RH-EE</b>	Without roof hatch, sky window / emergency exit (tinted glass)	<input type="checkbox"/> <b>IDLAMP-W</b>	Three middle front roof mounted white identification lamps
<input type="checkbox"/> <b>RH-ER</b>	Roof hatch - Electrically operated / steel / emergency exit handle	<input type="checkbox"/> <b>IDLMPSW</b>	Switch in cab for identification lamps
<input type="checkbox"/> <b>RH-ETR</b>	Roof hatch - Electrically operated / Tinted glass / Rear opening	<input type="checkbox"/> <b>BEACOA2F</b>	Two LED warning lights on the cab front
<input type="checkbox"/> <b>RH-MTR</b>	Roof hatch - Manually operated / Tinted glass / Rear opening	<input type="checkbox"/> <b>BEACOA2R</b>	Two LED warning lights on the cab rear
<input checked="" type="checkbox"/> <b>GLAS-TIN</b>	Tinted windows (front/side/rear)	<input type="checkbox"/> <b>BEACON-P</b>	Preparation kit
<input type="checkbox"/> <b>AWIND-RF</b>	Rear fixed window (without curtains)	<input type="checkbox"/> <b>BEACONA4</b>	Four LED warning lights on the cab front-rear
<input type="checkbox"/> <b>SWIND-BS</b>	Extra side window on both sides	<input checked="" type="checkbox"/> <b>CABPT-R1</b>	One front cab roof pass through on passenger side
<input type="checkbox"/> <b>SWIND-PS</b>	Rear side window on passenger side	<input checked="" type="checkbox"/> <b>CABPT-R2</b>	Two front cab roof pass throughs, one on each side
<input type="checkbox"/> <b>VANMIR</b>	Vanity mirror in front shelf lid. In sleeper cab on passenger side and in high/extra high cabs in middle section of the front shelf.	<input type="checkbox"/> <b>SPOTP-F</b>	Spotlamp preparation in cab front, max 280W
<input type="checkbox"/> <b>AS-FUS</b>	One extra shelf in each of the two front upper storage compartments. Only 1 shelf if microwave oven mounted in one of the two compartments.	<input type="checkbox"/> <b>SPOTP-R</b>	Spotlamp preparation on cab roof, max 280W
<input type="checkbox"/> <b>INFOT-PK</b>	Preparation kit (bracket, security straps, power cable, antenna cable and aux cable) for mounting of a television above driver door.	<input type="checkbox"/> <b>SPOTP-RF</b>	Spotlamp preparation on cab roof and in cab front, max 2x280W
<b>Cab Exterior</b>		<input type="checkbox"/> <b>ROS-IL</b>	Illuminated roof sign with switch in radio shelf. Switch for turning on/off.
<input checked="" type="checkbox"/> <b>EXTL-BAS</b>	Exterior trim level basic with painted grill	<input type="checkbox"/> <b>ROS-IL2</b>	Preparation kit for installing an illuminated roof sign*. It includes a prerouted cable harness, a switch and LED-lamps. The switch is connected in the radio shelf middle section. Switch cap with icon, are enclosed in cab. Lamps in sign are mounted. The stripe in the Globetrotter window is selected via the cab sign variants
<input type="checkbox"/> <b>LOCK-REM</b>	Central door locking with remote control	<input type="checkbox"/> <b>ROS-ILP</b>	Wiring preparation kit (wires and switch) for cab sign or roof air deflector illumination
<input checked="" type="checkbox"/> <b>BUMP-HD</b>	Heavy duty front bumper	<input type="checkbox"/> <b>CSGN-FMX</b>	FMX decal in the cab roof sign area
<input type="checkbox"/> <b>SIDEH-B</b>	Guide rail on day cab driver side	<input type="checkbox"/> <b>HORN-F1S</b>	One front mounted (behind grille) single tone air horn, Jericho. Operated by steering wheel buttons.
<input type="checkbox"/> <b>SIDSTP-R</b>	Side ladder and guide rail on on day cab driver side	<input type="checkbox"/> <b>HORN-R2S</b>	Two roof mounted single tone chromed air horns. Operated by steering wheel buttons.
<input checked="" type="checkbox"/> <b>Standard Equipment</b>		<input type="checkbox"/> <b>ANT-CBR</b>	Right hand side roof mounted foldable antenna and cables for CB radio, single aerial.
<input type="checkbox"/> <b>Optional Equipment</b>		<input type="checkbox"/> <b>ACCBP-AP</b>	Front, middle & rear roof mounted accessory brackets
		<input type="checkbox"/> <b>ACCBP-F</b>	Front roof mounted accessory bracket
		<input type="checkbox"/> <b>ACCBP-FM</b>	Front & middle roof mounted accessory brackets
		<input type="checkbox"/> <b>ACCBP-FR</b>	Front & rear roof mounted accessory brackets
		<input type="checkbox"/> <b>ACCBP-M</b>	Middle roof mounted accessory bracket
		<input type="checkbox"/> <b>ACCBP-R</b>	Rear roof mounted accessory bracket

For more detailed information about cab and powertrain equipment, please refer to separate specification sheets.

For all possible options and combinations of options please consult your Volvo sales contact who can create a specification to match your requirements using the Volvo Sales Support system (VSS).

The factory reserves the right to modify design and change equipment without previous notification. The specification can vary from country to country.

# MODEL RANGE

## FMX 64 Rigid Electric FMX 64R E

- ACCB-RM** Rear & middle roof mounted accessory brackets
  - REFS-CW** Reflecting white stripes mounted on cab side
  - REFS-TW** Reflecting white cab side stripes by-packed in cab
  - REFS-TY** Reflecting yellow cab side stripes by-packed in cab
- Superstructure preparations**
- SW745-EE** Swapbody equipped with front stop block for wheelbase 4600 mm, body length 7150/7450 mm and load carrier height 130 mm above frame
  - SW745-GE** Swapbody equipped with front stop block for wheelbase 4600 mm, body length 7150/7450 mm and load carrier height 190 mm above frame
  - SW782-ME** Swapbody equipped with front stop block for wheelbase 4900 mm, body length 7150/7450/7820 mm and load carrier height 130 mm above frame
  - SW782-OE** Swapbody equipped with front stop block for wheelbase 4900 mm, body length 7150/7450/7820 mm and load carrier height 190 mm above frame
  - CROSSRE** Cross reinforcement for swapbody
  - SRWL-2RW** Two H3 70W white rear chassis mounted (LH/RH side) working lamps and a 3-position switch (On/Off/Reverse auto on)
  - SRWL-PK** Wiring preparation for chassis mounted working lamps and a 3-position switch (On/Off/Reverse auto on). Max load 280W.
  - SWL-2FW** Two H3 70W white front chassis mounted (LH/RH side) working lamps and a 2-position switch (On/Off)
  - SWL-2RW** Two H3 70W white rear chassis mounted (LH/RH side) working lamps and a 2-position switch (On/Off)
  - SWL-4W** Four H3 70W white front (2) and rear (2) chassis mounted (LH/RH side) working lamps and a 2-position switch (On/Off)
  - SWL-PK** Wiring preparation for chassis mounted working lamps and a 2-position switch (On/Off). Max load 280W.
  - WL-CHPK** Preparation kit (switch and cable) for working lamp, max 2x70 W. Connector on chassis at gearbox.
  - WLC-H2A** Two H3/70W working lamps with amber coloured lens high mounted back of cab (switch incl).
  - WLC-H2W** Two H3/70W working lamps, white lens high mounted back of cab (switch incl).
  - WLC-PKCH** Preparation kit (cables and switch) for cab mounted chassis working lamp. Max load 280W.
  - WLC-PKH** Preparation kit (cables and switch) for high mounted working lamps back of cab (pass through in cab rear roof included). Max load 280W.
  - WLC-PKL** Preparation kit (cables and switch) for low mounted working lamps back of cab (pass through in cab rear wall included). Max load 280W.
  - WLC-PKLH** Preparation kit (cables and switch) for low and high mounted working lamps back of cab (pass throughs in rear wall and rear roof included). Max load 280W.
  - ECBB-BAS** Body builder electrical centre without any body builder module
  - ECBB-HIG** Body builder electrical centre with cab body builder module, 14 high and 4 low dig. outlet
  - BBCHAS1** One 7-pole connector for Body builder interface. Wiring harness routed from the bodybuilder electrical distribution box inside the cab to a connection point inside the right frame rail beside the gearbox.
  - BBCHAS3** Three 7-pole connectors for Body builder interface. Wiring harness routed from the bodybuilder electrical distribution box inside the cab to a connection point inside the right frame rail beside the gearbox.
  - BEPR-T2** Body builder electrical software preparation for tipper with remote control
  - EXSTER** Support for external steering control via body builder module
  - TD-BAS** Trailer detection without LED sensor
  - TD-LED** Trailer detection with LED sensor
  - FBA-BTF** Lower front body attachments for torsionally flexible platform body
  - FBA-BTSF** Lower front body attachments for torsionally semi-flexible body (van or curtainsider)
- HBA-FSFB** Holes for body attachments, flexible/semi-flexible body
  - HBA-SB** Holes for body attachments, stiff body
  - RBA-T2** Lower rear body attachments for helper frame
  - CRANEPK1** Crane plates mounted to frame, interface for crane capacity up to 10 ton meter
  - CRANEPK2** Crane plates mounted to frame, interface for crane capacity up to 20 ton meter
  - CRANEPK4** Crane plates mounted to frame, interface for crane capacity up to 40 ton meter
  - AUXL-SPK** Electrical preparation kit (wiring and a switch in dashboard) for snow plough lights. Preparation for installation of additional headlights and additional turning indicators.
  - TAILPRE2** Tail lift preparation kit, wireless remote operation
  - TAILPREP** Tail lift preparation kit, wire remote operation
  - AESW2** Two Body builder bistable electrical switches (marked AUX1 / AUX2)
  - AESW2PK** Two Body builder bistable electrical switches (marked AUX1/AUX2) and in an empty 4-group preparation another four bistable switches with dummy switch caps
  - AUXSW-4** Wiring for 4 extra hardwired switches (from Body builder electrical centre to switch positions)
- Services**
- FMS-PK** Fleet Management System gateway, preparation kit
  - DRUT1** My Truck connects the vehicle to the smartphone app, 1 year prepaid subscription
  - DRUT2** My Truck connects the vehicle to the smartphone app, 2 year prepaid subscription
  - DRUT3** My Truck connects the vehicle to the smartphone app, 3 year prepaid subscription
  - DRUT4** My Truck connects the vehicle to the smartphone app, 4 year prepaid subscription
  - DRUT5** My Truck connects the vehicle to the smartphone app, 5 year prepaid subscription

Standard Equipment       Optional Equipment

For more detailed information about cab and powertrain equipment, please refer to separate specification sheets.

For all possible options and combinations of options please consult your Volvo sales contact who can create a specification to match your requirements using the Volvo Sales Support system (VSS).

The factory reserves the right to modify design and change equipment without previous notification. The specification can vary from country to country.

# MODEL RANGE

FMX 64 Rigid Electric FMX 64R E

---

Volvo Trucks. Driving Progress