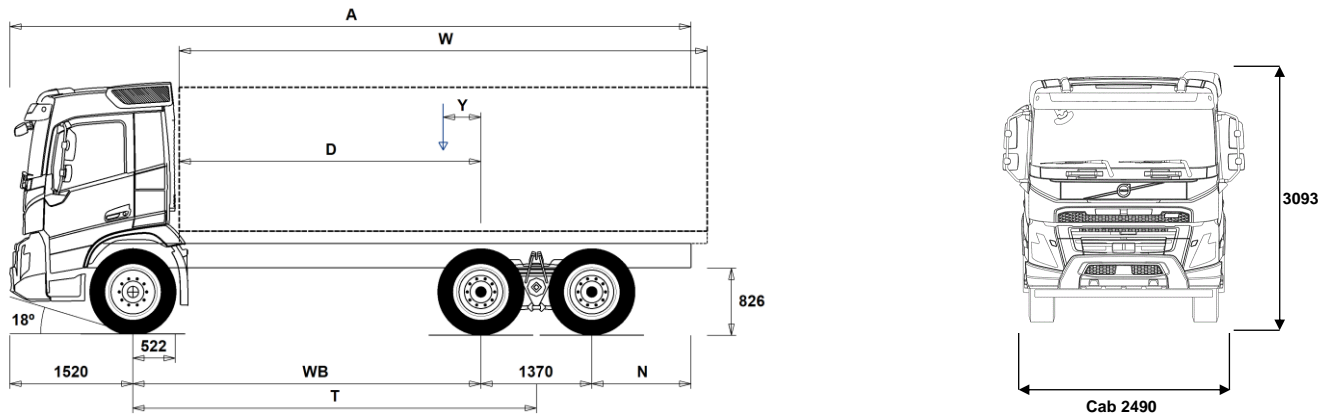


MODEL RANGE



Volvo Trucks. Driving Progress

New FMx13 6x4 Rigid Leaf Suspension FMX 64R 3L



Chassis Dimensions [mm]

WB Wheelbase	3200	3700	3900	4600	4900
A Overall Chassis Length	7315	7815	8015	8715	9015
D Center of rear axle to front of body	2628	3128	3328	4028	4328
N Rear Overhang	1225	1225	1225	1225	1225
T Theoretical Wheelbase	3885	4385	4585	5285	5585
Y Center of Gravity for Payload (Min.)	-135	-71	-47	39	73
Y Center of Gravity for Payload (Max.)	-135	-71	-47	39	73
W Body Length (Min.)	5525	6398	6749	7884	8364
W Body Length (Max.)	5525	6398	6749	7884	8364

Chassis Weights [kg]

Front Axle	4385	4415	4425	4470	4495
Rear Bogie	3680	3685	3685	3710	3735
Kerb Weight	8065	8100	8110	8180	8230
Payload (including body, driver, fuel, etc.)	14935	14900	14890	14820	14770

Turning Diameter [mm]

Turning Circle Diameter Kerb to Kerb	13900	15500	16100	18200	19100
Turning Circle Diameter Wall to Wall	15400	16900	17600	19700	20600

Plated Weights [kg]

	Plated	Design
Gross Vehicle Weight	23000	33100
Gross Combination Weight	42500	44000
Front Axle	6500	7100
Rear Bogie	16500	26000

Important Notes

Chassis Dimensions

Cab Height: +374 mm for CAB-HSLP, -204 mm for CAB-LDAY, -204 mm for CAB-LSLP, +4 mm for CAB-SLP.

Front Axle to Back of Cab: +424 mm for CAB-HSLP and CAB-SLP, -69 mm for CAB-LDAY, +418 mm for CAB-LSLP.

D-measure includes a front clearance of 50 mm and for rigid trucks also a subframe of 100 mm.

Height can vary ± 20 mm for leaf and ± 10 mm for air suspension.

All dimensions are for unladen chassis and any tag axles down. Chassis height used: CHH-HIGH.

Rear overhang used for vehicle weight calculation is the maximum rear overhang (N Max.) for selected wheelbase.

Weight and dimensions are based upon the following tyres:

Front Axle Tyres: 315/80R22.5
Drive Axle Tyres: 315/80R22.5

Chassis weight includes oil, water, AdBlue, 0 litres fuel and without driver. Kerb weight can vary $\pm 3\%$.

Turning diameters are theoretically calculated.

Legal weights can differ from country to country.

For more detailed weight information, including optional equipment weights, ask your Volvo sales contact to enter your specification into the Volvo Weight Information system (WIS).

Do NOT use this drawing for bodybuilding. Refer to Volvo Bodybuilder Instructions and chassis assembly drawing FMX64R3L.

MODEL RANGE

New FMx13 6x4 Rigid Leaf Suspension FMX 64R 3L

Truck use

- TIPP-PRE** Tipper preparation
- UNIFORM** Basic uniform vehicle

Core components

- CHH-HIGH** Chassis height (high) approx 1025-1050mm (depending on tyre selection)
- CHH-XHIG** Chassis height (extra high) approx 1100-1162mm (depending on tyre selection)
- RADD-TR1** Multi leaf spring rear suspension
- RADD-TR2** Rear leaf suspension 90 mm T-Ride spring
- RADD-TR3** Rear leaf suspension 90mm T-Ride springs (reinforced)
- FMX-DAY5** Day cab
- FMX-HSL5** Globetrotter cab
- FMX-SLP5** Sleeper cab
- EU5SCR-M** Eu5 SCR Selective Catalytic Reduction (mandatory)
- EU6SCR** Eu6 SCR (Particulate Filter + EGR) Turbo Single Stage
- D13C460** Engine, 13C litre, 460hp, 2300nm
- D13C500** Engine, 13C litre, 500hp, 2500nm
- D13C540** Engine, 13C litre, 540hp, 2600nm
- D13K460** Eu6 13 litre engine 460hp/2300nm/345kW
- D13K500** Eu6 13 litre engine 500hp/2500nm/368kW
- D13K540** Eu6 13 litre engine 540hp/2600nm/397kW
- EBR-VEB+** Volvo Engine Brake + (VEB+)
- AT2612F** Volvo I-shift-12 speed automatic transmission (2600nm)
- PT2606** Powertronic 6 speed transmission (2600nm)
- ASO-C** Crawler gears
- ASO-ULC** Ultra low crawler gears
- RTH2610B** Volvo RTH2610B hub reduction rear axles
4 planet gears per hub
Axle rating: 26,000 kg
115 tonne train weight
(Application approved)
- RTH3210F** Hub reduction tandem 32t GCW100t
- RTH3815** Hub reduction tandem 38t GCW150t

Packages

- INFODF** Information Platform with Dynafleet Support
- INFOMED** Information Platform-Medium
- INFONDF** Information Platform with Navigation & Dynafleet Support

Chassis

- FST-PAR** Parabolic leaf spring front suspension
- FST-PAR3** 3 leaf parabolic front springs (stiffer than normal)
- FAL10.0** Front axle load 10 tonnes
- FAL6.5** Front axle load 6.5 tonnes
- FAL7.1** Front axle load 7.1 tonnes
- FAL7.5** Front axle load 7.5 tonnes
- FAL9.0** Front axle load 9.0 tonnes
- FSTAB** Front stabilizer, normal stiffness
- FSTAB2** Front stabiliser bar increased stiffness
- FSTAB3** Heavy duty front stabiliser bar
- RAL26** Rear suspension load rating: 26,000 kg
- RAL32** Rear suspension load rating: 32,000 kg
- RAL38** Rear axle load 38 tonnes
- RSTAB1** Rear stabiliser bar
- RSAP2** Rear suspension- reinforced
- ACTST-TO** Volvo Dynamic Steering
- ASFE-PS** Dynamic steering active features with personal settings
- PSP-FIX** Power steering pump with fixed displacement
- EBS-MED** Electronic Brake System (EBS) contains
ABS, Traction control, Hill start aid
Diff lock control, Brake assist
Wheel brake monitoring, EBS status

Standard Equipment

Optional Equipment

For more detailed information about cab and powertrain equipment, please refer to separate specification sheets.

For all possible options and combinations of options please consult your Volvo sales contact who can create a specification to match your requirements using the Volvo Sales Support system (VSS).

The factory reserves the right to modify design and change equipment without previous notification. The specification can vary from country to country.

MODEL RANGE

New FMx13 6x4 Rigid Leaf Suspension FMX 64R 3L

- CRUIS-E** Extended cruise control (additional fuel saving functions)
- CRUISEC** Cruise control
- AMSO-AUT** Manual gear shift in automatic mode.
- AVO-ENH** AMT Vocational option - enhanced
- APF-ENH** Enhanced I-shift PTO functions
- CS43B-O** Volvo 430mm single plate clutch
- TC-HWO** Transmission Oil Cooler
- TC-MAOH2** High performance transmission cooler
- 2COM1080** High volume air compressor
- 2COM1100** Air compressor. 1100 litres/minute
- AIRIN-HI** High air intake, roofline position
- AIRIN-LO** Low air intake, rear of cab position
- ACL1ST-S** Air cleaner with two stage filter element
- 24AL120B** High capacity alternator, 120 Ampere.
- 24AL150B** Alternator - 150 Amp
- PTER-100** PTO engine rear mounted with flange DIN100/ISO7646
- PTER-DIN** Power Take Off / splined shaft groove (female) DIN5462.
- PTER1400** Rear engine mounted power-take-off with flange SAE 1410
- HPE-F101** F1-101 Hydraulic pump rear engine mounted
- HPE-F41** F1-41 Hydraulic pump rear engine mounted
- HPE-F51** F1-51 Hydraulic pump rear engine mounted
- HPE-F61** F1-61 Hydraulic pump rear engine mounted
- HPE-F81** F1-81 Hydraulic pump rear engine mounted
- HPE-T53** F2-53/53 twin flow hyd pump rear engine mounted
- HPE-T70** F2-70/53 twin flow hyd pump rear engine mounted
- HPE-V45** V1-45 variable pump rear engine mounted
- HPE-V75** V1-75 variable pump rear engine mounted
- PTPT-D** PTO DIN / Powertronic
- PTPT-F** PTO flange conn / Powertronic
- PTR-D** Low speed PTO with DIN connection
- PTR-DH** High speed PTO with DIN connection
- PTR-DM** Medium speed PTO with DIN connection
- PTR-F** Rear PTO trans.flange 100% speed
- PTR-FH** High speed PTO with flange connection
- PTR-FL** Low speed PTO with flange connection
- PTRD-D** PTO with 2 DIN connections rear + 1 DIN connection front
- PTRD-D1** PTO with 1 DIN + 1 flange connection rear + 1 DIN connection front
- PTRD-D2** PTO with 2 flange connection rears + 1 DIN connection front
- PTRD-F** PTO with 1 DIN + 1 flange connection rear
- HPG-F101** F1-101 hydraulic pump gearbox mounted
- HPG-F41** F1-41 hydraulic pump gearbox mounted
- HPG-F61** F1-61 hydraulic pump gearbox mounted
- HPG-F81** F1-81 hydraulic pump gearbox mounted
- DRC-AMII** DPF regeneration- auto initialise/manual on demand/manual inhibit
- DRC-AUTO** DPF regeneration- fully automatic (in motion)
- ACCLF-D** Acceleration Limiting Feature - disabled
- ACCLF-E** Acceleration Limiting Feature - enabled always
- ACCLF-S** Acceleration Limiting Feature - selectable
- ESP-BAS1** ESP package (tractor/trailer combinations with ABS. Rigid with standard COG)
- HWSS-ACB** ACC & forward collision warning & emergency braking.
- LSS-DW** With lane departure system
- LCS** Lane change support
- DAS-W** Driver alert support warning
- RSENS-W** Rain sensor to activate wipers
- CU-ECC** Climate controlled air conditioning
- CU-MCC** Manual controlled air conditioning
- IMMOBIL** Engine immobiliser
- ALARM-B** Anti-theft alarm (cab)
- BUPMON** Back-up camera
- WLIFT-AD** Electric windows
- WLIFT-EB** Electric windows
- ISUNS-DS** Interior side sunvisor - driver's door
- ISUNF-B** Interior front sunvisor - standard
- ISUNF-MD** Interior front sunvisor - with mirror (driver's side)
- ISUNF-RE** Interior sunvisor - front (electric)
- ISUNF-RM** Interior sunvisor - front (manual)
- ADFS** 2 din slots in front shelf
- BUPALARM** Reverse alarm
- REMC-MF** Multifunction wireless remote control
- FIREX25A** Fire extinguisher 2.5 kg
- WRITEPAD** Storable steering wheel fit clip board
- DST-CF5** Fully adjustable driver's comfort seat
Air suspension, heated, integrated safety belt
- SBD-RED** Red safety belts, pass. & driver seats
- SBPRE-DS** Drivers seat belt pretensioner
- PST-BAS1** Basic passenger's seat
- PST-BENC** Passenger bench seat
- PST-CF5** Fully adjustable passenger comfort seat
Air suspension, heated, safety belt
- SBPRE-PS** Passenger seatbelt pretensioner
- ARM-DBPS** Armrests driver's both sides - passenger side single
- ARMRE-BB** Armrests both sides - driver's & passenger's seat
- ARMRE-DB** Armrests both sides - driver's seat
- ARU-BAS** Seat armrest upholstery - basic
- GRABHI-B** Instep grab handle - standard
- FMAT-RUB** Floor mats - rubber
- FMAT-TX2** Floor mats - textile & rubber
- LBK70** Lower bunk 700mm wide
- MATL-FI** Mattress lower bunk - firm
- MATL-SF** Mattress lower bunk - semi firm
- OLMAT-BA** Mattress overlay - basic
- SAFE** Safe box at bed-end
- ETSB-F** Engine tunnel storage box
- ETSB-FR** Engine tunnel storage box & rear cab wall
- ETSB-R** Rear cab wall storage
- RUS-HIG** Rear upper cab storage - 245 litres, 440mm
- TABLE** Table
- REF-ICPK** Refrigerator prep kit (on engine tunnel)
- MICRO-PK** Preparation kit for microwave
- BOTH-D** Bottle holder in driving area
- INLI-BAS** Interior night lights
- INLI-NL** Interior white and red (night) light
- INLI-NLD** Interior light including night light and dimmer function
- ARL-FLEX** Flexible reading lamp (snake light)
- RH-ER** Roof hatch-electric (metal emergency exit)
- RH-MTR** Roof hatch-manual (tinted glass & rear opening)
- SWIND-PS** Cab passenger side aux. window
- AWIND-RF** Cab rear window- fitted
- VANMIR** Vanity mirror
- AS-FUS** Auxiliary shelf, front upper storage
- INFOT-PK** LCD screen mount - 6kgs max

Standard Equipment

Optional Equipment

For more detailed information about cab and powertrain equipment, please refer to separate specification sheets.

For all possible options and combinations of options please consult your Volvo sales contact who can create a specification to match your requirements using the Volvo Sales Support system (VSS).

The factory reserves the right to modify design and change equipment without previous notification. The specification can vary from country to country.

MODEL RANGE

New FMx13 6x4 Rigid Leaf Suspension FMX 64R 3L

Cab exterior

- **EXTL-BAS** Standard exterior trim level
- **DGLAS-H** Hardened door glass
- **DGLAS-L** Laminated door glass
- **LOCK-CTL** Central door locking-Key
- **LOCK-REM** Central door locking with remote control
- **BUMP-HD** Bumper - heavy duty
- **AUXFS** Auxiliary folding side step
- **GUARD-EH** Guard plate for cooling pipes and oil sump
- **BUGNET** Insect net in front of radiator
- **CTILT-P-E** Electrical cab tilt pump
- **FCABS-A** Front cab suspension-air bellows
- **FCABS-M** Front cab suspension-mechanical spring
- **RCABS-A** Rear cab suspension-air bellows
- **RCABS-M** Rear cab suspension-mechanical spring
- **MIRCOMFX** Electrically heated & operated convex glass mirrors
- **MIRFLACP** Electrically heated & operated flat glass mirrors with front monitoring camera on passenger side.
- **AMIR-F20** Close view mirror
- **SUNV-H** Exterior sunvisor
- **AD-ROOF** Aero-dynamic roof mounted deflector
- **AD-SIDES** Aero-dynamic cab side deflectors
- **GUARD-W** Windscreen stoneguard
- **HL-BASIC** Standard head lamps
- **HL-CLEAN** Head lamp cleaning system
- **HLP-ST** Headlamp protection-steel
- **HLP-ST2** Headlamp protection-steel/wire mesh (non ADR compliant)
- **HL-ADJ** Headlight adjustment - manual
- **DRL-LED** V-shaped LED daytime running light
- **IDLAMP-A** Identification lamps-amber
- **BEACON-P** Beacon light wire preparation
- **SPOTP-F** Aux spotlight preparation, 280W maximum
- **ANT-CBR** Antenna for CB radio, single antenna

Superstructure

- **SRWL-2RW** 2 white rear chassis mounted working lamps
- **SRWL-PK** Wiring prep for chassis mounted reverse/working lamps-3 position switch
- **SWL-2FW** 2 white side working lamps (forward facing)
- **SWL-2RW** 2 white side working lamps (rearward facing)
- **SWL-4W** 4 white side working lamps
- **SWL-PK** Wiring prep for chassis-mounted working lamps-2 position switch
- **WL-CHPK** Chassis mounted working lamp prep kit
- **WLC-H2W** 2 x H3/70W high mounted work lamps with white lens.
- **WLC-PKH** Prep kit for high mounted work lamps.
- **ECBB-HIG** Body builder module - cab module
- **BBCHAS3** Body builder chassis electrical interface, 3 x 7 pin connectors
- **BEPR-T2** Body Builder electrical prep. for tipper with remote control
- **EXSTER** External steering via body builder's module
- **HBA-SB** Holes for body attachments
- **AESW2** 2 flexible switches (AUX1 and AUX2).
- **AESW2PK** 2 flexible switches (AUX1 & AUX2) + additional 4 flexible switches
- **AUXSW-4** 4 extra bi-stable switches wired to BBM

Delivery services

- **TGW-4GWL** Telematics Gateway with 4G/LTE & WLAN
- **FMS-PK** Fleet management system gateway
- **DRUT2** "My Truck" smartphone app. 2 year prepaid



Volvo Truck Corporation
volvotrucks.com