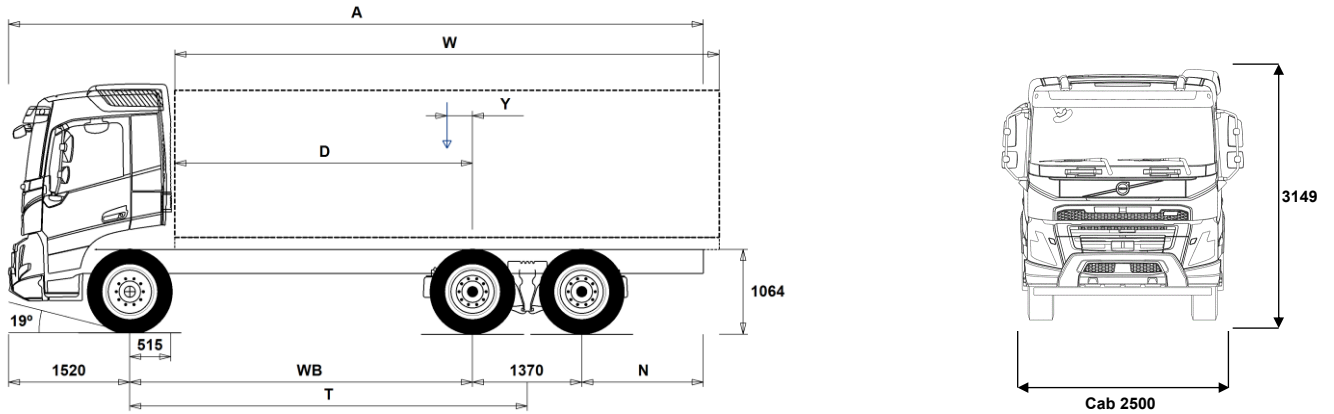


# MODEL RANGE

FMX D13 64 Rigid Diesel Rear Air FMX 64R 3A



## Chassis Dimensions [mm]

WB Wheelbase	3200	3400	3700	3900	4300	4600	4900	5200	5600
A Overall Chassis Length	7865	7465	8615	8915	9565	10715	10465	10965	11565
D Center of rear axle to front of body	2635	2835	3135	3335	3735	4035	4335	4635	5035
N Rear Overhang (Min.)	825	825	825	825	825	825	825	1225	1225
N Rear Overhang (Max.)	1775	1175	2025	2125	2375	3225	2675	2875	3075
T Theoretical Wheelbase	3885	4085	4385	4585	4985	5285	5585	5885	6285
Y Center of Gravity for Payload (Min.)	-219	-207	-162	-139	-95	-48	-31	3	43
Y Center of Gravity for Payload (Max.)	-219	-207	-162	-139	-95	-48	-31	3	43
W Body Length (Min.)	5706	6083	6592	6948	7659	8164	8731	9263	9915
W Body Length (Max.)	5706	6083	6592	6948	7659	8164	8731	9263	9915

## Chassis Weights [kg]

Front Axle	4875	4925	4895	4905	4930	4905	4965	4975	5000
Rear Bogie	3435	3355	3490	3510	3585	3735	3660	3700	3750
Kerb Weight	8310	8280	8385	8415	8515	8640	8625	8675	8750
Payload (including body, driver, fuel, etc.)	17690	17720	17615	17585	17485	17360	17375	17325	17250

## Turning Diameter [mm]

Turning Circle Diameter Kerb to Kerb	13900	14500	15500	16100	17300	18200	19100	20000	21300
Turning Circle Diameter Wall to Wall	15400	16000	16900	17600	18800	19700	20600	21500	22800

## Plated Weights [kg]

	Plated	Design
Gross Vehicle Weight	26000	35000
Gross Combination Weight	0	44000
Front Axle	7000	9000
Rear Bogie	19000	26000

## Important Notes

### Chassis Dimensions

Cab Height: +328 mm for CAB-HSLP, -262 mm for CAB-LDAY, -262 mm for CAB-LSLP, +16 mm for CAB-SLP.  
 Front Axle to Back of Cab: +431 mm for CAB-HSLP and CAB-SLP, -69 mm for CAB-LDAY, +425 mm for CAB-LSLP.  
 D-measure includes a front clearance of 50 mm and for rigid trucks also a subframe of 100 mm.  
 Height can vary ± 20 mm for leaf and ± 10 mm for air suspension.  
 All dimensions are for unladen chassis and any tag axles down. Chassis height used: CHH-HIGH.  
 Rear overhang used for vehicle weight calculation is the maximum rear overhang (N Max.) for selected wheelbase.  
 Height change when chassis height CHH-MED,FRAME300: 0 mm.

Weight and dimensions are based upon the following tyres:  
 Front Axle Tyres: 315/80R22.5  
 Drive Axle Tyres: 315/80R22.5

**Chassis weight includes oil, water, AdBlue, 0 litres fuel and without driver. Kerb weight can vary ± 3%.**

Turning diameters are theoretically calculated.

Legal weights can differ from country to country.

For more detailed weight information, including optional equipment weights, ask your Volvo sales contact to enter your specification into the Volvo Weight Information system (WIS).

Do NOT use this drawing for bodybuilding. Refer to Volvo Bodybuilder Instructions and chassis assembly drawing FMX64R3A.

# MODEL RANGE

## FMX D13 64 Rigid Diesel Rear Air FMX 64R 3A

### Transport operation

- RC-ROUGH** Rough road conditions: frequent driving on poorly maintained surfaced roads, hard-packed sand or gravel, or other surfaces of good or bad quality.
- RC-SMOOT** Smooth road conditions: at least 95% of the driven distance is on well-maintained or less maintained surfaced roads. Driving may occur on poorly maintained surfaced roads, hard-packed sand, or gravel surfaces of good or bad quality.
- SWAPBODY** Swap body vehicle preparation
- TIPP-PRE** Tipper vehicle preparation
- UNIFORM** Basic platform vehicle

### Core components

- CHH-HIGH** Chassis height high - approx. 1000 mm above ground level
- CHH-MED** Chassis height medium - approx. 900 mm above ground level
- RADD-G2** Rear air suspension - two axles, both driving, high ground clearance
- RADD-GR** Rear air suspension - two axles, both driving
- CDCOPREP** Preparation kit for day cab cut-out (free text CA needed)
- FMX-CREW** FMX crew cab (free-text CA needed)
- FMX-DAY6** FMX day cab
- FMX-HSL6** FMX Globetrotter, high sleeper cab
- FMX-LDA6** FMX low day cab
- FMX-LSL6** FMX low sleeper cab
- FMX-SLP6** FMX sleeper cab
- EU3** Euro 3 emission level
- EU4SCR** Euro 4 with Selective Catalytic Reduction (SCR)
- EU5SCR-M** Euro 5 with Selective Catalytic Reduction (SCR)
- EU6SCR** Euro 6 with SCR, particulate filter and EGR, Turbo-S
- D13S420A** Diesel engine, Euro 6, 12.8 litres, 420 hp/309 kW, 2100 Nm
- D13S460A** Diesel engine, Euro 6, 12.8 litres, 460 hp/338 kW, 2300 Nm
- D13S500A** Diesel engine, Euro 6, 12.8 litres, 500 hp/368 kW, 2500 Nm
- D13S540A** Diesel engine, Euro 6, 12.8 litres, 540 hp/397 kW, 2600 Nm
- D13A380** Diesel engine, Euro 4, 12.8 litres, 380 hp/280 kW, 1900 Nm
- D13A400** Diesel engine, Euro 3, 12.8 litres, 400 hp/294 kW, 2000 Nm
- D13A420** Diesel engine, Euro 4, 12.8 litres, 420 hp/309 kW, 2100 Nm
- D13A440** Diesel engine, Euro 3, 12.8 litres, 440 hp/324 kW, 2200 Nm
- D13A460** Diesel engine, Euro 4, 12.8 litres, 460 hp/338 kW, 2300 Nm
- D13A480** Diesel engine, Euro 3, 12.8 litres, 480 hp/353 kW, 2400 Nm
- D13A500** Diesel engine, Euro 4, 12.8 litres, 500 hp/368 kW, 2500 Nm
- D13A520** Diesel engine, Euro 3, 12.8 litres, 520 hp/382 kW, 2500 Nm
- D13C380** Diesel engine, Euro 5, 12.8 litres, 380 hp/280 kW, 1900 Nm
- D13C420** Diesel engine, Euro 5, 12.8 litres, 420 hp/309 kW, 2100 Nm
- D13C460** Diesel engine, Euro 5, 12.8 litres, 460 hp/338 kW, 2300 Nm
- D13C500** Diesel engine, Euro 5, 12.8 litres, 500 hp/368 kW, 2500 Nm
- D13C540** Diesel engine, Euro 5, 12.8 litres, 540 hp/397 kW, 2600 Nm
- D13K420** Diesel engine, Euro 6, 12.8 litres, 420 hp/309 kW
- D13K460** Diesel engine, Euro 6, 12.8 litres, 460 hp/338 kW
- D13K500** Diesel engine, Euro 6, 12.8 litres, 500 hp/368 kW
- D13K540** Diesel engine, Euro 6, 12.8 litres, 540 hp/397 kW
- EBR-EPG** Engine brake with exhaust pressure governor
- EBR-EPGC** Exhaust pressure governor with Volvo compression brake
- EBR-VEB** Volvo Engine Brake, VEB (compression brake with exhaust pressure governor, EPG)
- EBR-VEB+** Volvo Engine Brake, VEB+ (high efficiency compression brake with exhaust pressure governor, EPG)
- AT2412** I-Shift automated 12-speed gearbox, 2400 Nm
- AT2612** I-Shift automated 12-speed gearbox, 2600 Nm
- AT2812** I-Shift automated 12-speed gearbox, 2800 Nm
- ATO2612** I-Shift automated 12-speed gearbox with overdrive, 2600 Nm
- ATO3112** I-Shift automated 12-speed gearbox with overdrive, 3100 Nm
- PT2606** Powertronic 6-speed powershift gearbox, 2600 Nm
- ASO-C** One crawler gear
- ASO-ULC** Two crawler gears, one crawler and one ultra-low crawler
- TAAXLIFT** Tandem Axle Lift for driven bogie axle
- RTH2610B** Rear hub reduction tandem axle - bogie load 26 tonnes, GCW 100 tonnes, 4 planet gears
- RTH2610F** Rear hub reduction tandem axle - bogie load 26 tonnes, GCW 100 tonnes, version F

- RTS2310A** Rear single reduction tandem axles - bogie load 23 tonnes, GCW 100 tonnes
- RTS2370A** Rear single reduction tandem axle - bogie load 23 tonnes, GCW 70 tonnes
- PTO-HT16** High-torque power take-off 1600 Nm (free-text CA needed)
- PTO-HT20** High-torque power take-off 2000 Nm (free-text CA needed)

### Packages

- FP-D13** Fuel economy package for Euro 6 D13 engine
- INFOBASE** Information package, basic (without side display)
- INFOHIGH** Information package, high (with side display)
- SAFE-EXT** Active Safety package Extended
  - Volvo Dynamic Steering with personal setting and Stability Assist
  - Adaptive cruise control with forward Collision Warning with Emergency Brake
  - Pilot Assist, active continuous lane keeping
  - Automatic Trailer Brake Activation, Stretch Brake
- SAFE-SEL** Active Safety package Selected, contains
  - Volvo Dynamic Steering with personal setting and Stability Assist
  - Personal setting and Stability Assist
  - Forward Collision Warning with Emergency Brake
  - Lane Keeping Assist
- SAFEBAS** Active Safety Basic package (outside Europe)
- SAFEBAS2** Active Safety Basic package (outside Europe)
- SAFEPLU2** Active Safety Plus package (outside Europe)
- SAFEPLUS** Active Safety Plus package (outside Europe)

### Chassis

- FST-AIR** Front air suspension
- FST-PAR** Two-leaf front parabolic springs (normal stiffness)
- FST-PAR3** Three-leaf front parabolic springs (stiffer than normal)
- FST-PL1** Two-leaf front parabolic springs, lightweight composite support leaf (normal stiffness)
- FSLs-BAS** Basic levelling stroke in front air suspension (high ground clearance under front axle member)
- FSLs-HI** High-range levelling stroke in front air susp. (reduced ground clearance under front axle member)
- FAL10.0** Front axle load 10.0 tonnes
- FAL7.1** Front axle load 7.1 tonnes
- FAL7.5** Front axle load 7.5 tonnes
- FAL8.0** Front axle load 8.0 tonnes
- FAL8.5** Front axle load 8.5 tonnes
- FAL9.0** Front axle load 9.0 tonnes
- FSTAB** Front anti-roll bar, normal stiffness
- FSTAB2** Front anti-roll bar, high stiffness
- FSTAB3** Front anti-roll bar, extra-high stiffness
- RAL21** Rear axles load 21 tonnes
- RAL23** Rear axles load 23 tonnes
- RAL26** Rear axles load 26 tonnes
- RSTAB1** Rear anti-roll bar, normal stiffness
- RSTAB3** Rear anti-roll bar, extra-high stiffness
- RALIM105** First rear driving axle load limiter, 10.5 tonnes (speed controlled)
- RALIM115** First rear driving axle load limiter, 11.5 tonnes (speed controlled)
- RALIM13** First rear drive axle load limiter, 13 tonnes
- RALIM15** First rear driving axle load limiter, 15 tonnes
- RALIM95** First rear driving axle load limiter, 9.5 tonnes (speed controlled)
- ASF-DL1** Air suspension with one ride height
- ASF-DL3** Air suspension with three ride heights
- ACTST-TO** Volvo Dynamic Steering
- ASFE-BAS** Volvo Dynamic Steering, basic
- ASFE-OG** Volvo Dynamic Steering with Stability Assist
- ASFE-PO** Volvo Dynamic Steering with Personal Settings and Stability Assist
- ASFE-PS** Volvo Dynamic Steering with Personal Settings

Standard Equipment       Optional Equipment

For more detailed information about cab and powertrain equipment, please refer to separate specification sheets.

For all possible options and combinations of options please consult your Volvo sales contact who can create a specification to match your requirements using the Volvo Sales Support system (VSS).

The factory reserves the right to modify design and change equipment without previous notification. The specification can vary from country to country.

# MODEL RANGE

## FMX D13 64 Rigid Diesel Rear Air FMX 64R 3A

<input checked="" type="checkbox"/> <b>PSS-SING</b>	Single power steering system	<input type="checkbox"/> <b>ESH-LEFT</b>	Horizontal silencer, left exhaust outlet
<input checked="" type="checkbox"/> <b>PSP-FIX</b>	Power steering pump with fixed displacement	<input checked="" type="checkbox"/> <b>ESH-REAR</b>	Horizontal silencer, rear exhaust outlet
<input type="checkbox"/> <b>PSP-VAR</b>	Power steering pump with variable displacement	<input type="checkbox"/> <b>ESH-RIGH</b>	Horizontal silencer, right exhaust outlet
<input type="checkbox"/> <b>PSP-VAR2</b>	Power steering pump with variable displacement (extra valve)	<input type="checkbox"/> <b>ESH-VERT</b>	Horizontal silencer, vertical exhaust outlet on right-hand side
<input checked="" type="checkbox"/> <b>EBS-MED</b>	EBS (Electronic Braking System), Medium package	<input type="checkbox"/> <b>ESV-VERT</b>	Vertical silencer, vertical exhaust outlet on right-hand side
<input type="checkbox"/> <b>EBS-STD</b>	EBS (Electronic Braking System), Standard package	<input type="checkbox"/> <b>EXST-SSP</b>	Vertical exhaust top pipe, bright polished stainless steel
<input type="checkbox"/> <b>AUXPARK</b>	Extra parking brake on one axle	<input type="checkbox"/> <b>EXST-ST</b>	Vertical exhaust top pipe, aluminised steel
<input checked="" type="checkbox"/> <b>RST-AIR</b>	Rear air springs	<input type="checkbox"/> <b>HS-NAR</b>	Muffler heat shield (EATS), narrow
<input type="checkbox"/> <b>RST-AIR6</b>	Rear air springs for hot climates	<input type="checkbox"/> <b>WHC-FIX2</b>	Two non-collapsible wheel chocks
<input checked="" type="checkbox"/> <b>SUSPL-EC</b>	Remote control for air suspension levelling	<input checked="" type="checkbox"/> <b>WHC-FOL2</b>	Two collapsible wheel chocks
<input type="checkbox"/> <b>FRAME266</b>	Frame rail section external height 266 mm	<input type="checkbox"/> <b>WHCP-F</b>	Wheel chock holder in the front part of the vehicle
<input checked="" type="checkbox"/> <b>FRAME300</b>	Frame rail section external height 300 mm	<input type="checkbox"/> <b>WHCP-M</b>	Wheel chock holder in the middle part of the vehicle
<input type="checkbox"/> <b>FST7070</b>	Frame thickness - web 7.0 mm / flange 7.0 mm	<input type="checkbox"/> <b>WHCP-R</b>	Wheel chock holder in the rear part of the vehicle
<input checked="" type="checkbox"/> <b>FST8080</b>	Frame thickness - web 8.0 mm / flange 8.0 mm	<input checked="" type="checkbox"/> <b>WHCP-T</b>	Wheel chock holder by-packed in cab outer luggage compartment
<input type="checkbox"/> <b>FIL-EEEB</b>	Frame inner liner from end of engine to end of bogie	<input type="checkbox"/> <b>TB-L80</b>	Tool box on left-hand side, 205-litre - width 730 mm, height 590, depth 595 mm
<input checked="" type="checkbox"/> <b>FIL-EEEE</b>	Frame inner liner from end of engine to end of frame	<input type="checkbox"/> <b>TB-R80</b>	Tool box on right-hand side, 205-litre - width 730 mm, height 590, depth 595 mm
<input type="checkbox"/> <b>FIL-FBEB</b>	Frame inner liner from front of bogie to end of bogie	<input type="checkbox"/> <b>SUP-BAS</b>	Standard side underrun protection, aluminium
<input type="checkbox"/> <b>FIL-FBEF</b>	Frame inner liner from front of bogie to end of frame	<input type="checkbox"/> <b>CHAIN-S</b>	Snow chains
<input type="checkbox"/> <b>FIL-TXEB</b>	Frame inner liner from transmission cross member to end of bogie	<input type="checkbox"/> <b>HOOK-SC</b>	Snow chain hooks
<input type="checkbox"/> <b>FIL-TXEF</b>	Frame inner liner from transmission cross member to end of frame	<input checked="" type="checkbox"/> <b>TOWF-HD1</b>	One heavy-duty front towing device
<input checked="" type="checkbox"/> <b>BBOX-L</b>	Battery box on left-hand side	<input type="checkbox"/> <b>TOWMBRH</b>	Towing member, high-mounted in centre of frame
<input type="checkbox"/> <b>BATS-D</b>	Dual battery system (2 vehicle batteries and 2 starter batteries)	<input type="checkbox"/> <b>TOWMBRL1</b>	Towing member, low-mounted under frame
<input checked="" type="checkbox"/> <b>BATS-S</b>	Single battery system (2 batteries)	<input type="checkbox"/> <b>TOWMBRL2</b>	Towing member, low and forward-mounted under frame
<input type="checkbox"/> <b>2BAT210C</b>	AGM batteries, 2x210 Ah	<input type="checkbox"/> <b>TOWMBRL3</b>	Towing member, low and far-forward-mounted under frame
<input checked="" type="checkbox"/> <b>2BATT170</b>	Batteries, 2x170 Ah	<input type="checkbox"/> <b>TOWMBRM</b>	Towing member, medium-mounted in line with lower frame flange
<input type="checkbox"/> <b>2BATT225</b>	Batteries, 2x225 Ah	<input type="checkbox"/> <b>RFEC-L</b>	Tapered lower rear frame end (for centre axle drawbar)
<input checked="" type="checkbox"/> <b>BATTAMP</b>	Battery voltmeter and ammeter	<input checked="" type="checkbox"/> <b>RFEC-S</b>	Straight-cut rear frame end
<input type="checkbox"/> <b>BATTIND</b>	Battery voltmeter, ammeter and battery status gauge with visual alerts	<input type="checkbox"/> <b>RFEC-U</b>	Upper corner cut on rear frame end (for e.g. tipper, refuse and hook lift applications)
<input type="checkbox"/> <b>ADR1</b>	ADR adaptation, 1 switch in dashboard	<input type="checkbox"/> <b>C-RI4040</b>	Coupling Ringfeder 4040A G-150
<input type="checkbox"/> <b>ADR2</b>	ADR adaptation, 1 switch in dashboard, 1 outside on back of cab	<input type="checkbox"/> <b>C-RI4045</b>	Coupling Ringfeder 4045A G-150
<input type="checkbox"/> <b>MSWI-A</b>	ADR main switch	<input type="checkbox"/> <b>C-RI5050</b>	Coupling Ringfeder 5050A G-150
<input checked="" type="checkbox"/> <b>MSWI-C</b>	Main switch on chassis	<input type="checkbox"/> <b>C-RO400G</b>	Coupling Rockinger 400 G-150
<input type="checkbox"/> <b>MSWI-R</b>	Key remote controlled main switch	<input type="checkbox"/> <b>C-RO50</b>	Coupling Rockinger 50 mm
<input checked="" type="checkbox"/> <b>R365A71</b>	Right 365-litre, D-shaped aluminium fuel tank, 710 mm high Min volume 255l Max volume 810l	<input type="checkbox"/> <b>C-VBG520</b>	Coupling VBG 5200D
<input checked="" type="checkbox"/> <b>UL-FUEL</b>	Without left side fuel tank Min volume 160l Max volume 730l	<input type="checkbox"/> <b>C-VBG795</b>	Coupling VBG 795V
<input type="checkbox"/> <b>ADTP-L</b>	AdBlue tank on left hand side	<input type="checkbox"/> <b>TOWR-ONE</b>	Brace that can be used for towing in specific situations. The brace is mounted on the end cross member, and if the end cross member is thinner than 8 mm, it will be reinforced. The brace includes a lockable pin and is dimensioned for a 3-tonne centre-axle trailer or a 10-tonne articulated drawbar trailer. It may only be used for short-distance, on-site transport in confined areas and at speeds of a maximum of 30 km/h.
<input checked="" type="checkbox"/> <b>ADTP-R</b>	AdBlue tank on right hand side	<input type="checkbox"/> <b>TREL-PK</b>	Trailer electrical preparation kit (chassis/cab wiring)
<input type="checkbox"/> <b>ADB048</b>	AdBlue tank: usable volume 48 litres, 560 mm high, mounted on chassis side	<input type="checkbox"/> <b>TREL14</b>	14-pin trailer connection
<input checked="" type="checkbox"/> <b>ADB064</b>	AdBlue tank: usable volume 64 litres, 710 mm high, mounted on chassis side	<input type="checkbox"/> <b>TREL15</b>	15-pin trailer connection (ADR certified)
<input type="checkbox"/> <b>ADB068</b>	AdBlue tank: usable volume 68 litres, 560 mm high, mounted on chassis side	<input type="checkbox"/> <b>TREL7</b>	7-pin trailer connection (ISO 24N)
<input type="checkbox"/> <b>ADB083</b>	AdBlue tank: usable volume 83 litres, 560 mm high, mounted on chassis side	<input type="checkbox"/> <b>TREL7-7</b>	2x7-pin trailer connection (ISO 24N+24S, non-ADR)
<input type="checkbox"/> <b>ADB090</b>	AdBlue tank: usable volume 90 litres, 710 mm high, mounted on chassis side	<input type="checkbox"/> <b>TBC-EC</b>	Trailer brake connection, European Community
<input type="checkbox"/> <b>ADB100</b>	AdBlue tank: usable volume 100 litres, 710 mm high, mounted on chassis side	<input type="checkbox"/> <b>TRBR-HCF</b>	Full-pressure, hand-controlled trailer brake check (8 bar)
<input type="checkbox"/> <b>ADB112</b>	AdBlue tank: usable volume 112 litres, 710 mm high, mounted on chassis side	<input type="checkbox"/> <b>TRBR-HCR</b>	Reduced-pressure, hand-controlled trailer brake check (4 bar)
<input type="checkbox"/> <b>ADTC-BF</b>	AdBlue tank cover, silver metallic	<input type="checkbox"/> <b>TRBR-STA</b>	Stationary trailer brake check
<input checked="" type="checkbox"/> <b>FCAP-L</b>	Lockable diesel and AdBlue filler caps	<input type="checkbox"/> <b>TRB-STRE</b>	Stretch brake, trailer brake activation at low speeds to avoid jack-knifing and improve stability
<input checked="" type="checkbox"/> <b>FUFF-AS</b>	Fuel filling anti-spillage device	<input type="checkbox"/> <b>RUP-FOLD</b>	
<input type="checkbox"/> <b>FUFF-ATS</b>	Fuel filling anti-theft and anti-spillage device	<input type="checkbox"/> <b>RFEND-B</b>	Rear 3-piece mudguards (anti-spray) on all rear axles
		<input type="checkbox"/> <b>RFEND-T</b>	Transport mudguard
		<input type="checkbox"/> <b>RFH-BAS</b>	Basic mudguard installation height on 2nd front axle and rear axles

Standard Equipment

Optional Equipment

For more detailed information about cab and powertrain equipment, please refer to separate specification sheets.

For all possible options and combinations of options please consult your Volvo sales contact who can create a specification to match your requirements using the Volvo Sales Support system (VSS).

The factory reserves the right to modify design and change equipment without previous notification. The specification can vary from country to country.

# MODEL RANGE

## FMX D13 64 Rigid Diesel Rear Air FMX 64R 3A

- **RFH-HIG** High mudguard installation height on 2nd front axle and rear axles
- **RFH-LOW** Low mudguard installation height on 2nd front axle and rear axles
- **AUXATNK** Extra air tank for air suspension
- **ATANK-AL** Aluminium air tanks
- **ATANK-ST** Steel air tanks
- **TL-LED** LED tail lamps (tail light, exterior marker light, brake light, hazard warning light, reverse light, rear fog light, licence plate light and reflector)
- **BLIGHT-E** Flashing brake lights will automatically activate in emergency braking. The flashing frequency is 4 Hz and emergency braking is detected if speed exceeds 50 km/h and retardation is 4 m/s<sup>2</sup> or more. The function deactivates when retardation is less than 2.5 m/s<sup>2</sup>.

### Rims and tyres

- **RT-AL** Brushed aluminium rims with standard holes (long stud fixing) on all axles
- **RT-AL1** LvL ONE® smooth and glossy aluminium rims with standard holes (long stud fixing) on all axles
- **RT-AL1DU** LvL ONE® smooth and glossy aluminium rims with countersunk holes (short stud fixing) on all axles
- **RT-ALDP** Dura-Bright® polished aluminium rims with standard holes (long stud fixing) on all axles
- **RT-ALDPD** Dura-Bright® polished aluminium rims with countersunk holes (short stud fixing) on all axles
- **RT-ALDU** Brushed aluminium rims with countersunk holes (short stud fixing) on all axles
- **RT-STEEL** Steel rims on all axles
- **WCAP** Wheel caps
- **SPWT-D** Spare driving wheel
- **SPWT-F** Spare front wheel
- **SWCP-LF** Spare wheel carrier on left side in front of rear axle
- **SWCP-R** Spare wheel carrier mounted behind rear axle
- **SWCP-T** Spare wheel transport-mounted on top of frame
- **SWCP-TP** Spare wheel and carrier transport-mounted on top of frame
- **JACK-12T** Hydraulic jack, 12 tonnes. Low manual pumping force facilitates use in uncomfortable positions. Has a release valve, which permits safe, easy and precise control over rate of lowering and a filter in the oil reservoir gives protection from contamination.  
Height 180-315 mm, weight 7.0 kg
- **JACK-15T** Hydraulic jack, 15 tonnes. Low manual pumping force facilitates use in uncomfortable positions. Has a release valve, which permits safe, easy and precise control over rate of lowering and a filter in the oil reservoir gives protection from contamination.  
Height 225-438 mm, weight 9.4 kg
- **JACK-20T** Hydraulic jack, 20 tonnes. Low manual pumping force facilitates use in uncomfortable positions. Has a release valve, which permits safe, easy and precise control over rate of lowering and a filter in the oil reservoir gives protection from contamination.  
For FM: Height 190-325 mm, weight 10.5 kg  
For FH: height 240-467 mm, weight 13.3. kg
- **TOOLKIT** This kit consists of a tool bag (case) including the following tools:
  - Combination screwdriver.
  - 1 screwdriver handle
  - 1 blade, Philips/flat blade
  - 1 blade, Torx T10/Torx T20
  - 1 blade, Torx T25/Torx T27
  - 1 blade, Torx T30/Torx T40
  - Socket wrench.
  - Adjustable pliers.
  - Allen key.
  - Adjustable spanner.
  - Hammer.

- **INFLAHOS** Tyre inflation hose 18 m. The air is supplied by a chassis-mounted pneumatic outlet (must be ordered separately).
- **GAUGE-TP** Tyre pressure gauge

### Powertrain equipment

- **TRAP-HD** Reinforced gearbox range housing
- **DRM-BE** I-Shift drive modes Economy, Standard and Performance
- **DRM-E** I-Shift drive mode Economy
- **PVT-MTM** I-See
- **CRUIS-E** I-Cruise cruise control, I-Roll included
- **CRUIS-ES** I-Torque cruise control, optimized for fuel economy, I-Roll included
- **AMSO-AUT** I-Shift manual gear shifting available in automatic mode, including kick-down function
- **AVO-ENH** I-Shift with enhanced software for construction and off-road applications
- **APF-ENH** I-Shift with enhanced PTO functions (Auto neutral for p. brake/Reverse inhibit/Split box connection)
- **RET-TH** Gearbox-mounted, hydrodynamic oil retarder
- **RET-TP** Gearbox-mounted Powertronic primary retarder
- **TC-HWO** Cooler for hydraulic gearboxes - water/oil
- **TC-MAOH2** Extra high performance cooler for manual/I-shift gearboxes - air/oil
- **TC-MWO** Basic performance cooler for manual/I-Shift gearboxes - water/oil
- **TC-MWOH2** High performance cooler for manual/I-Shift gearboxes - water/oil
- **2COM1080** Dual-cylinder air compressor 704 cc, 1080 l/min
- **2COM1100** Dual-cylinder air compressor 760 cc, 1100 l/min
- **2COMP870** Dual-cylinder, two-stage air compressor 560 cc, 870 l/min
- **2COMP900** Dual-cylinder air compressor 636 cc, 900 l/min
- **CLU-AIRC** Air compressor clutch with automatic declutching when not needed, to save fuel
- **AIRIN-HI** High air inlet
- **AIRIN-LO** Low air inlet
- **ACL1ST-S** Air cleaner with extra filter element
- **24A110BL** Alternator 110 Ampere
- **24A150BL** Alternator 150 Ampere
- **24A180BL** Alternator 180 Ampere
- **24AL110B** Alternator 110 Ampere
- **24AL150B** Alternator 150 Ampere
- **CCV-C** Closed crankcase ventilation
- **CCV-O** Open crankcase ventilation
- **CCV-OX** Open extended crankcase ventilation with oil separator and maintenance-free gas centrifuge
- **FUEQ-EH** Fuel line electric heater
- **AF-E** Electrically heated fuel filter
- **AF-R** Hot fuel recirculation heated fuel filter
- **FUEFE2LW** Large engine-mounted dual fuel filter with water separator and drain
- **FUEFE2SW** Small engine-mounted dual fuel filter with water separator and drain (for good fuel quality)
- **EST-AID** Engine intake air heater
- **220EBH15** Engine block heater, 220 V, 1.5 kW
- **PTER-100** Rear engine, clutch-independent PTO, flange connection, DIN 100/ISO 7646
- **PTER-DIN** Rear engine, clutch-ind. PTO, splined shaft groove (fem), close-coupled pump DIN 5462/ISO7653
- **PTER1400** Rear engine, clutch-independent PTO, flange connection, SAE 1410/ISO 7647
- **HPE-F101** Engine-mounted hydraulic pump F1-101, fixed displacement, single flow

- Standard Equipment
- Optional Equipment

For more detailed information about cab and powertrain equipment, please refer to separate specification sheets.

For all possible options and combinations of options please consult your Volvo sales contact who can create a specification to match your requirements using the Volvo Sales Support system (VSS).

The factory reserves the right to modify design and change equipment without previous notification. The specification can vary from country to country.

# MODEL RANGE

## FMX D13 64 Rigid Diesel Rear Air FMX 64R 3A

<input type="checkbox"/> <b>HPE-F41</b>	Engine-mounted hydraulic pump F1-41, fixed displacement, single flow	<input type="checkbox"/> <b>HWSS-ACB</b>	Adaptive cruise control with forward collision warning (stationary and moving objects) and emergency braking. Using both radar and camera to collect info.
<input type="checkbox"/> <b>HPE-F51</b>	Engine-mounted hydraulic pump F1-51, fixed displacement, single flow	<input type="checkbox"/> <b>HWSS-FCB</b>	Collision Warning with Emergency Brake (forward)
<input type="checkbox"/> <b>HPE-F61</b>	Engine-mounted hydraulic pump F1-61, fixed displacement, single flow	<input type="checkbox"/> <b>LSS-DW</b>	Lane Keeping Support - lane departure warning
<input type="checkbox"/> <b>HPE-F81</b>	Engine-mounted hydraulic pump F1-81, fixed displacement, single flow	<input type="checkbox"/> <b>LSS-DW3</b>	Pilot Assist - active, continuous lane keeping
<input type="checkbox"/> <b>HPE-T53</b>	Engine-mounted hydraulic pump F2-53/53, fixed displacement, twin flow	<input type="checkbox"/> <b>LCS2</b>	Side Collision Avoidance Support, passenger side collision warning (sound and visual information), passenger side
<input type="checkbox"/> <b>HPE-T70</b>	Engine-mounted hydraulic pump F2-70/35, fixed displacement, twin flow	<input type="checkbox"/> <b>LCS3</b>	Active Side Collision Avoidance Support, Collision Warning (sound and visual information) with Emergency Brake, passenger side
<input type="checkbox"/> <b>HPE-V45</b>	Engine-mounted hydraulic pump VP1-45, variable displacement, single flow	<input type="checkbox"/> <b>LCS5</b>	Active Side Collision Avoidance Support: Collision Warning for both sides (sound and visual information) and Emergency Brake for passenger side
<input type="checkbox"/> <b>HPE-V75</b>	Engine-mounted hydraulic pump VP1-75, variable displacement, single flow	<input type="checkbox"/> <b>DAS-W</b>	Driver Alert Support
<input type="checkbox"/> <b>PTPT-D</b>	Gearbox PTO, 1 front/upper connection DIN 5462/ISO 7653 for plug-in pump, 850 Nm	<input type="checkbox"/> <b>RSENS-W</b>	Wipers rain sensor
<input type="checkbox"/> <b>PTPT-F</b>	Gearbox PTO, 1 front/upper rear flange connection SAE 1410/ISO 7647 for propshaft, 850 Nm	<input type="checkbox"/> <b>CU-ECC</b>	Automatic climate control with sun sensor
<input type="checkbox"/> <b>PTR-D</b>	Gearbox low-speed PTO, 1 rear connection DIN 5462/ISO 7653 for plug-in pump, 1000 Nm	<input type="checkbox"/> <b>CU-ECC2</b>	Automatic climate control with sun sensor, humidity sensor, air quality sensor and carbon filter
<input type="checkbox"/> <b>PTR-DH</b>	Gearbox high-speed PTO, 1 rear connection DIN 5462/ISO 7653 for plug-in pump, 600 Nm	<input checked="" type="checkbox"/> <b>CU-MCC</b>	Manual climate control (heater/cooler function)
<input type="checkbox"/> <b>PTR-DM</b>	Gearbox medium-speed PTO, 1 rear connection DIN 5462/ISO 7653 for plug-in pump, 600 Nm	<input checked="" type="checkbox"/> <b>IGT-BUT</b>	Push button ignition
<input type="checkbox"/> <b>PTR-F</b>	Gearbox low-speed PTO, 1 rear flange connection SAE 1410/ISO 7647 for propshaft, 1000 Nm	<input type="checkbox"/> <b>IMMOBIL</b>	Immobiliser
<input type="checkbox"/> <b>PTR-FH</b>	Gearbox high-speed PTO, 1 rear flange connection SAE 1310/ISO 7647 for propshaft, 600 Nm	<input type="checkbox"/> <b>ALARM-E</b>	Anti-theft alarm for cab, superstructure and trailer
<input type="checkbox"/> <b>PTR-FL</b>	Gearbox low-speed PTO, 1 rear flange connection SAE 1310/ISO 7647 for propshaft, 600 Nm	<input type="checkbox"/> <b>PHONE-PK</b>	
<input type="checkbox"/> <b>PTRD-D</b>	Gearbox high-speed PTO, 1 rear + 1 front DIN 5462/ISO 7653 for plug-in pumps, 870 Nm	<input type="checkbox"/> <b>ISUNS-BS</b>	Side interior roller blind on both sides, manually manoeuvred
<input type="checkbox"/> <b>PTRD-D1</b>	Gearbox high-speed PTO, 1 rear SAE 1410/ISO 7647, 1 front DIN5462/ISO7653, 870 Nm	<input checked="" type="checkbox"/> <b>ISUNS-DS</b>	Side interior roller blind on driver's side, manually manoeuvred
<input type="checkbox"/> <b>PTRD-D2</b>	Gearbox PTO, 2 rear hi/lo-speed SAE1310/1410/ISO7647, 1 front hi-speed DIN5462/ISO7653, 870/1000 Nm	<input type="checkbox"/> <b>ISUNF-B</b>	Interior roller blind, integrated in front shelf, electrically manoeuvred
<input type="checkbox"/> <b>PTRD-F</b>	Gearbox high-speed PTO, 1 rear flange connection SAE 1410/ISO 7647 for propshaft, 870 Nm	<input type="checkbox"/> <b>ISUNF-MD</b>	Interior roller blind, integrated in front shelf, manually manoeuvred
<input type="checkbox"/> <b>ISUNF-RE</b>		<input checked="" type="checkbox"/> <b>ISUNF-RM</b>	
<input type="checkbox"/> <b>HPG-F101</b>	Gearbox-mounted hydraulic pump F1-101, fixed displacement, single flow	<input type="checkbox"/> <b>ADFS</b>	Two extra DIN slots in front shelf, 165x40x180 mm (W x H x D)
<input type="checkbox"/> <b>HPG-F41</b>	Gearbox-mounted hydraulic pump F1-41, fixed displacement, single flow	<input checked="" type="checkbox"/> <b>BUPALARM</b>	Reversing warning
<input type="checkbox"/> <b>HPG-F51</b>	Gearbox-mounted hydraulic pump F1-51, fixed displacement, single flow	<input type="checkbox"/> <b>LOADIND</b>	Load indicator, shown in instrument display and side display
<input type="checkbox"/> <b>HPG-F61</b>	Gearbox-mounted hydraulic pump F1-61, fixed displacement, single flow	<input type="checkbox"/> <b>REMC-MF</b>	Wireless remote control, multi-functional
<input type="checkbox"/> <b>HPG-F81</b>	Gearbox-mounted hydraulic pump F1-81, fixed displacement, single flow	<input checked="" type="checkbox"/> <b>FIREXT3S</b>	Fire extinguisher 3 kg, Swedish/English decal
		<input checked="" type="checkbox"/> <b>WARNVEST</b>	Reflective vest, fulfils European standard EN 471 class 2
		<input checked="" type="checkbox"/> <b>WARNTRI2</b>	Two warning triangles
		<input type="checkbox"/> <b>AIDKIT</b>	First aid kit containing sticking plaster, washing and drying pads, compresses, elastic bandages, respiratory mask, gloves and scissors.
		<input type="checkbox"/> <b>AIDKIT1B</b>	First aid kit containing sticking plaster, compresses, elastic bandages, gloves, scissors, triangular bandage, bandaging cloths, adhesive tape and rescue sheet (German requirements)
		<input type="checkbox"/> <b>WARNLAMP</b>	Portable amber and white warning lamp with batteries
		<input type="checkbox"/> <b>LAMP-IN</b>	Inspection lamp with 10 m cable
		<input type="checkbox"/> <b>BULBKIT</b>	Bulb and fuse kit
		<input type="checkbox"/> <b>WRITEPAD</b>	Writing pad with paper clamp
			<b>Cab Interior, Living</b>
		<input type="checkbox"/> <b>DST-CF1</b>	Driver's seat Comfort
		<input checked="" type="checkbox"/> <b>DST-CF4</b>	Driver's seat Comfort, belt in seat
		<input type="checkbox"/> <b>DST-CF5</b>	Driver's seat Comfort, belt in seat, heated, adjustable lumbar&side support, extendable seat cushion
		<input type="checkbox"/> <b>DST-CF6</b>	Driver's seat Comfort, belt in seat, heated, ventilated
		<input type="checkbox"/> <b>DST-LUX1</b>	Driver's seat Deluxe, belt in seat, heated, ventilated
		<input type="checkbox"/> <b>SBD-RED</b>	Red safety belts, passenger and driver seats
		<input type="checkbox"/> <b>SBPRE-DS</b>	Driver's seat belt pretensioner

### Cab Interior, Driving

- STWPOS-L** Left-hand drive
- STWPOS-R** Right-hand drive
- STWM-LE** Steering wheel material leather
- STGW-AD2** Manually adjustable steering wheel with neck tilt
- STGW-ADJ** Manually adjustable steering wheel
- AIRBAG** Airbag on driver's side
- DRC-AMII** Regeneration control for DPF, initiation: automatic or manual, inhibition: manual
- DRC-AUTO** Regeneration control for DPF, fully automatic (in motion)
- 1DAYB** One-day analogue tachograph, basic
- TAC-PK2** Preparation kit for tachograph
- ARSL** Additional road speed limiter control (switch in dashboard)
- ACCLF-D** Volvo torque assist - Disabled
- ACCLF-E** Volvo torque assist - Enabled
- ESP-BAS1** ESP for tractor combinations with ABS/EBS or rigid vehicles/combinations with std center of gravity
- ESPC-RO** Electronic stability program functionality control, switch - On/Reduced/Off

Standard Equipment

Optional Equipment

For more detailed information about cab and powertrain equipment, please refer to separate specification sheets.

For all possible options and combinations of options please consult your Volvo sales contact who can create a specification to match your requirements using the Volvo Sales Support system (VSS).

The factory reserves the right to modify design and change equipment without previous notification. The specification can vary from country to country.

# MODEL RANGE

## FMX D13 64 Rigid Diesel Rear Air FMX 64R 3A

<input type="checkbox"/> <b>PST-BAS1</b>	Passenger seat Basic, non-suspended	<input type="checkbox"/> <b>RH-MTR</b>	Roof hatch, manually operated, tinted glass, rear opening 50 mm
<input checked="" type="checkbox"/> <b>PST-CF4</b>	Passenger seat Comfort, suspended, belt in seat	<input checked="" type="checkbox"/> <b>GLAS-TIN</b>	Tinted windows
<input type="checkbox"/> <b>PST-CF5</b>	Passenger seat Comfort, suspended, belt in seat, electrically heated	<input type="checkbox"/> <b>GLAS-UNT</b>	Untinted windows
<input type="checkbox"/> <b>PST-STD2</b>	Passenger seat Regular, non-suspended	<input type="checkbox"/> <b>SWIND-BS</b>	Rear side window on both sides
<input type="checkbox"/> <b>PST-STD4</b>	Passenger seat Regular, suspended	<input type="checkbox"/> <b>SWIND-PS</b>	Rear side window on passenger side
<input type="checkbox"/> <b>SBPRE-PS</b>	Passenger seat belt pretensioner	<input type="checkbox"/> <b>AWIND-RF</b>	Fixed window in back of cab (without curtains)
<input type="checkbox"/> <b>ARMRE-BB</b>	Two armrests on both driver's and passenger seats	<input type="checkbox"/> <b>VANMIR</b>	Vanity mirror in front shelf lid
<input type="checkbox"/> <b>ARMRE-DB</b>	Two armrests on driver's seat	<input type="checkbox"/> <b>AS-FUS</b>	One extra shelf in each of the two front upper storage compartments
<input type="checkbox"/> <b>ARMRE-PB</b>	Two armrests on passenger seat	<input type="checkbox"/> <b>INFOT-PK</b>	Preparation kit (bracket, security straps, and antenna cable) for mounting of TV above driver door
<input type="checkbox"/> <b>ARU-BAS</b>	Vinyl armrest upholstery		
<input type="checkbox"/> <b>ARU-LEA</b>	Leather armrest upholstery		
<input checked="" type="checkbox"/> <b>FMAT-RUB</b>	Black rubber floor mats		
<input type="checkbox"/> <b>FMAT-TX2</b>	Two textile (dark grey on FH/FM/FMX, black on FH16) and two black rubber floor mats		
<input type="checkbox"/> <b>LBK70</b>	Lower fixed bed 2000x700 mm, non-foldable, safety net included		
<input type="checkbox"/> <b>MATL-FI</b>	Mattress lower bed firm, pocket springs, recommended for body weight over 100 kg		
<input type="checkbox"/> <b>MATL-SF</b>	Mattress lower bed semi-firm, pocket springs, recommended for body weight up to 100 kg		
<input type="checkbox"/> <b>OLMAT-BA</b>	Overlay mattress, 28 mm thick black textile		
<input type="checkbox"/> <b>OLMAT-PR</b>	Overlay mattress Premium, 35 mm thick black textile		
<input type="checkbox"/> <b>TBK60F</b>	Fixed top bed 600x1900 mm, foldable up to 52° (depending on cab & upper storage), net included		
<input type="checkbox"/> <b>TBK70F</b>	Fixed top bed 700x1900 mm, foldable up to 52° (depending on cab & upper storage), net included		
<input type="checkbox"/> <b>PH-CAB2</b>	Cab parking heater, 2 kW		
<input type="checkbox"/> <b>PH-ENGCA</b>	Engine and cab parking heater		
<input type="checkbox"/> <b>PH-SS</b>	Short stop cab heater		
<input type="checkbox"/> <b>SLCP-BAS</b>	Basic sleeper control panel (interior light, parking heater, roof hatch, door locks)		
<input type="checkbox"/> <b>ETSB-F</b>	Storage at front of engine tunnel		
<input type="checkbox"/> <b>ETSB-FR</b>	Storage at back of engine tunnel and at back, against rear cab wall		
<input type="checkbox"/> <b>ETSB-FRS</b>	Storage at front of engine tunnel and immersed in RH side of tunnel		
<input type="checkbox"/> <b>ETSB-FS</b>	Storage at back of engine tunnel, at back against rear cab wall and immersed in RH side of tunnel		
<input type="checkbox"/> <b>ETSB-R</b>	Storage at back of engine tunnel, against rear cab wall		
<input type="checkbox"/> <b>ETSB-RS</b>	Storage immersed in RH side of engine tunnel and at back against rear cab wall		
<input type="checkbox"/> <b>ETSB-S</b>	Storage immersed in RH side of engine tunnel		
<input type="checkbox"/> <b>RUS-BAS</b>	Storage in rear upper cab, 154 litres (300 mm high)		
<input type="checkbox"/> <b>RUS-HIG</b>	Storage in rear upper cab, 245 litres (440 mm high)		
<input type="checkbox"/> <b>REF-ICPK</b>	Preparation kit for refrigerator		
<input type="checkbox"/> <b>REFR-RUS</b>	Refrigerator 28-litre, with dividers, on rear upper wall		
<input type="checkbox"/> <b>MICRO-PK</b>	Preparation kit for microwave oven (electrical cables to front shelf)		
<input checked="" type="checkbox"/> <b>BOTH-D</b>	One bottle holder under dashboard centre section		
<input type="checkbox"/> <b>COFMA-PK</b>	Preparation kit (24 V) for coffee maker		
<input checked="" type="checkbox"/> <b>INLI-BAS</b>	Interior white light with smooth light transition at on/off, no dimming		
<input type="checkbox"/> <b>INLI-NL</b>	Interior white and red (night) light with smooth light transition at on/off		
<input type="checkbox"/> <b>INLI-NLD</b>	Interior white and red (night) light with smooth light transition at on/off and dimmer		
<input type="checkbox"/> <b>ARL-FLEX</b>	Two (driver and passenger side) LED reading lamps with flexible arms, mounted on sidewalls		
<input checked="" type="checkbox"/> <b>RH-EE</b>	Roof skylight/emergency exit, tinted glass (not a hatch)		
<input type="checkbox"/> <b>RH-ER</b>	Roof hatch, electrically operated, steel, with emergency exit handle		
<input type="checkbox"/> <b>RH-ETR</b>	Roof hatch, electrically operated, tinted glass, rear opening 50 mm		

### Cab exterior

<input checked="" type="checkbox"/> <b>EXTL-BAS</b>	Exterior trim level basic
<input checked="" type="checkbox"/> <b>DGLAS-H</b>	Tempered door window glass
<input type="checkbox"/> <b>DGLAS-L</b>	Laminated window glass in doors. The glass can crack, but retains its protective effect. It also provides better sound insulation.
<input checked="" type="checkbox"/> <b>BUMP-HD</b>	Heavy-duty front bumper
<input type="checkbox"/> <b>AUXFS</b>	Extra footstep in cab side
<input type="checkbox"/> <b>GUARD-EH</b>	Guard plate for cooling pipes and oil sump
<input type="checkbox"/> <b>SIDEH-B</b>	Guide rail on day cab, driver's side
<input type="checkbox"/> <b>SIDSTP-R</b>	Side ladder and guide rail on day cab, driver's side
<input checked="" type="checkbox"/> <b>BUGNET</b>	Insect screen (PVC-coated fibreglass) in front of radiator
<input checked="" type="checkbox"/> <b>CTILT-P-E</b>	Electric cab tilt pump
<input type="checkbox"/> <b>FCABS-A</b>	Air front cab suspension
<input checked="" type="checkbox"/> <b>FCABS-M</b>	Mechanical front cab suspension
<input type="checkbox"/> <b>RCABS-A</b>	Air rear cab suspension
<input checked="" type="checkbox"/> <b>RCABS-M</b>	Mechanical rear cab suspension
<input type="checkbox"/> <b>MIRCFCPX</b>	Rear-view and wide-angle mirrors (both sides), passenger corner camera (FMX)
<input type="checkbox"/> <b>MIRCMCP</b>	Camera Monitor System and passenger corner camera
<input type="checkbox"/> <b>MIRCMS</b>	Camera Monitor System
<input checked="" type="checkbox"/> <b>MIRCOMFX</b>	Robust rear-view and wide-angle mirrors (both sides), kerb observation mirror
<input checked="" type="checkbox"/> <b>AMIR-F20</b>	Front close-view mirror above windscreen, passenger side (radius 200 mm)
<input checked="" type="checkbox"/> <b>SUNV-H</b>	Exterior front sun visor, transparent dark-grey
<input type="checkbox"/> <b>AD-ROOF</b>	Roof air deflector
<input type="checkbox"/> <b>AD-SIDES</b>	Cab side air deflectors, short
<input checked="" type="checkbox"/> <b>HL-BASIC</b>	Halogen H7 headlamps
<input type="checkbox"/> <b>HL-LED</b>	LED headlamps
<input type="checkbox"/> <b>HL-LED3</b>	LED headlamps with adaptive high beam
<input type="checkbox"/> <b>HBDA-A</b>	Automatic main beam deactivation and reactivation
<input type="checkbox"/> <b>HL-CLEAN</b>	High-pressure headlamp cleaner
<input type="checkbox"/> <b>HLP-ST</b>	Steel headlamp protectors (steel and plastic for FMX)
<input type="checkbox"/> <b>HLP-ST2</b>	Steel and plastic headlamp protectors with steel grating for extra rough applications
<input type="checkbox"/> <b>HL-ADJ</b>	Manually adjustable headlamp beam
<input checked="" type="checkbox"/> <b>DRL-LED</b>	Daytime running lamps (LED)
<input type="checkbox"/> <b>UDRL</b>	Without daytime running lamps (LED)
<input checked="" type="checkbox"/> <b>UDRIVL</b>	Without extra main beam
<input type="checkbox"/> <b>ASL-RF2</b>	Two LED spot lamps in sign box
<input type="checkbox"/> <b>IDLAMP-A</b>	Three amber identification lamps on mid front roof
<input type="checkbox"/> <b>IDLAMP-W</b>	Three white identification lamps on mid front roof
<input type="checkbox"/> <b>IDLMPSW</b>	Switch in cab for identification lamps

Standard Equipment

Optional Equipment

For more detailed information about cab and powertrain equipment, please refer to separate specification sheets.

For all possible options and combinations of options please consult your Volvo sales contact who can create a specification to match your requirements using the Volvo Sales Support system (VSS).

The factory reserves the right to modify design and change equipment without previous notification. The specification can vary from country to country.

# MODEL RANGE

## FMX D13 64 Rigid Diesel Rear Air FMX 64R 3A

<ul style="list-style-type: none"> <li><input type="checkbox"/> <b>BEACOA2F</b> Two amber LED beacons on cab front roof</li> <li><input type="checkbox"/> <b>BEACOA2R</b> Two amber LED beacons on cab rear roof</li> <li><input type="checkbox"/> <b>BEACON-P</b> Preparation kit for roof beacons</li> <li><input type="checkbox"/> <b>BEACONA4</b> Four amber LED beacons on roof - two on front, two on rear</li> <li><input type="checkbox"/> <b>CABPT-R1</b> One front cab roof pass-through on passenger side</li> <li><input type="checkbox"/> <b>CABPT-R2</b> Two front cab roof pass-throughs, one on each side</li> <li><input type="checkbox"/> <b>SPOTP-F</b> Preparation kit for spot lamp in cab front, max 280 W</li> <li><input type="checkbox"/> <b>SPOTP-R</b> Preparation kit for spot lamp in cab roof, max 280 W</li> <li><input type="checkbox"/> <b>SPOTP-RF</b> Preparation kit for spot lamp in cab roof and front, max 280 W</li> <li><input type="checkbox"/> <b>ROS-IL</b> Roof sign illumination</li> <li><input type="checkbox"/> <b>ROS-IL2</b> Preparation kit for installation of roof sign illumination</li> <li><input type="checkbox"/> <b>ROS-ILP</b> Wiring kit for roof sign illumination</li> <li><input type="checkbox"/> <b>CSGN-FMX</b> FMX decal in the roof sign box</li> <li>■ <b>HORN-F1S</b> Single-tone Jericho horn behind grille, operated by steering wheel buttons</li> <li><input type="checkbox"/> <b>HORN-R2S</b> Two chromed single-tone air horns on the roof, operated by steering wheel buttons</li> <li><input type="checkbox"/> <b>ANT-CBR</b> Preparation kit for communication/CB radio: roof-mounted single antenna and wiring</li> <li><input type="checkbox"/> <b>ACCBB-AP</b> Accessory brackets mounted on front roof, midroof and rear roof</li> <li><input type="checkbox"/> <b>ACCBB-F</b> Accessory bracket mounted on front roof</li> <li><input type="checkbox"/> <b>ACCBB-FM</b> Accessory brackets mounted on front roof and midroof</li> <li><input type="checkbox"/> <b>ACCBB-FR</b> Accessory brackets mounted on front and rear roof</li> <li><input type="checkbox"/> <b>ACCBB-M</b> Accessory bracket mounted on midroof</li> <li><input type="checkbox"/> <b>ACCBB-R</b> Accessory brackets mounted on mid-roof and rear roof</li> <li><input type="checkbox"/> <b>ACCBB-RM</b> Accessory bracket mounted on rear roof</li> </ul> <p><b>Superstructure preparations</b></p> <ul style="list-style-type: none"> <li><input type="checkbox"/> <b>CROSSRE</b> Cross reinforcement of frame for swap body</li> <li><input type="checkbox"/> <b>SRWL-2RW</b> 2 white LED reverse/work lamps, rear-facing on rear chassis, 3-pos switch (On/Off/Reverse auto On)</li> <li><input type="checkbox"/> <b>SRWL-PK</b> Preparation kit for LED reverse/work lamps at rear chassis, 3-pos switch (On/Off/Reverse auto On)</li> <li><input type="checkbox"/> <b>SWL-2FW</b> 2 white LED work lamps at front of chassis, and a 2-position switch (On/Off)</li> <li><input type="checkbox"/> <b>SWL-2RW</b> 2 white LED work lamps, rearward-facing on rear chassis (LH/RH side)</li> <li><input type="checkbox"/> <b>SWL-4W</b> 4 white LED work lamps on chassis (2 front, 2 rear) and a flexible switch (On/Off)</li> <li><input type="checkbox"/> <b>SWL-PK</b> Preparation kit for LED work lamps on chassis, with a 2-pos switch (On/Off)</li> <li><input type="checkbox"/> <b>WL-CHPK</b> Preparation kit for work lamp (switch with cable to frame, by gearbox)</li> <li><input type="checkbox"/> <b>WLC-H2A</b></li> <li><input type="checkbox"/> <b>WLC-H2W</b> 2 white LED work lamps, high-mounted on back of cab (switch included)</li> <li><input type="checkbox"/> <b>WLC-PKCH</b> Preparation kit (cables and switch) for work lamp inside or outside superstructure</li> <li><input type="checkbox"/> <b>WLC-PKH</b> Preparation kit (cables and switch) for high-mounted work lamps on back of cab</li> <li><input type="checkbox"/> <b>WLC-PKL</b> Preparation kit (cables and switch) for low-mounted work lamps on back of cab</li> <li><input type="checkbox"/> <b>WLC-PKLH</b> Preparation kit (cables and switch) for low- and high-mounted work lamps on back of cab</li> <li><input type="checkbox"/> <b>ECBB-BAS</b> Body builder electrical centre, prepared for body builder module</li> <li><input type="checkbox"/> <b>ECBB-HIG</b> Body builder electrical centre, body builder module with 14 high and 4 low digital outlets</li> <li>■ <b>ECBB-MED</b> Body builder electrical centre, body builder module with 7 high and 4 low digital outlets</li> <li><input type="checkbox"/> <b>BBCHAS1</b> One 7-pole bodywork connector on chassis</li> <li><input type="checkbox"/> <b>BBCHAS3</b> Three 7-pole bodywork connectors on chassis</li> <li><input type="checkbox"/> <b>BEPR-T2</b> Bodywork electrical and software preparation for tipper with remote control</li> <li><input type="checkbox"/> <b>EXSTER</b> Support for external steering control via body builder module</li> </ul>	<ul style="list-style-type: none"> <li>■ <b>TD-LED</b> TD-LED detects trailers that have either bulb lights or LED lights. Continuous monitoring of the trailer connection status allows optimization of gear shifting and systems like Electronic Stability Program (ESP). Full diagnostics are available for bulb lights, while for LED lights the system cannot identify an "open circuit".</li> <li><input type="checkbox"/> <b>FRFS-BS</b> Frame rail free space on both sides to give space for crane legs or other equipment</li> <li><input type="checkbox"/> <b>FBA-BTF</b> Front body attachment brackets, lower, for flexible body</li> <li><input type="checkbox"/> <b>FBA-BTSF</b> Front body attachment brackets, lower, for semi-flexible body</li> <li>■ <b>HBA-FSFB</b> Holes for body attachments, flexible/semi-flexible body</li> <li><input type="checkbox"/> <b>HBA-SB</b> Holes for body attachments, stiff body</li> <li><input type="checkbox"/> <b>RBA-T2</b> Rear body attachment brackets, lower</li> <li><input type="checkbox"/> <b>CRANEPK1</b> Frame-mounted crane interface plates, up to 10 tonne-metres</li> <li><input type="checkbox"/> <b>CRANEPK2</b> Frame-mounted crane interface plates, up to 20 tonne-metres</li> <li><input type="checkbox"/> <b>CRANEPK4</b> Frame-mounted crane interface plates, up to 40 tonne-metres</li> <li><input type="checkbox"/> <b>AUXL-SPK</b> Preparation kit (wiring and a switch in dashboard) for snow plough lamps</li> <li><input type="checkbox"/> <b>TAILPRE2</b> Tail lift preparation kit, wireless remote operation</li> <li><input type="checkbox"/> <b>TAILPREP</b> Tail lift preparation kit</li> <li><input type="checkbox"/> <b>AESW2</b> 2 bistable bodywork switches (marked AUX1/AUX2)</li> <li><input type="checkbox"/> <b>AESW2PK</b> 2 bistable bodywork switches (marked AUX1/AUX2) + prepared for 4 bistable switches (dummy switches)</li> <li>■ <b>AUXSW-4</b> Hardwiring for 4 extra switches (from body builder electrical centre to instrument panel)</li> </ul> <p><b>Services</b></p> <ul style="list-style-type: none"> <li><input type="checkbox"/> <b>TGW-4GWL</b> Telematics gateway with 4G modem and WLAN</li> <li><input type="checkbox"/> <b>TGW-PK</b> Telematics gateway preparation kit</li> <li>■ <b>FMS-PK</b> Fleet management system gateway, preparation kit</li> <li><input type="checkbox"/> <b>TSRS2</b> Road sign recognition (not ISA compliant)</li> </ul>
---	---

■ Standard Equipment      □ Optional Equipment

For more detailed information about cab and powertrain equipment, please refer to separate specification sheets.

For all possible options and combinations of options please consult your Volvo sales contact who can create a specification to match your requirements using the Volvo Sales Support system (VSS).

The factory reserves the right to modify design and change equipment without previous notification. The specification can vary from country to country.

# MODEL RANGE

FMX D13 64 Rigid Diesel Rear Air FMX 64R 3A

---

Volvo Trucks. Driving Progress