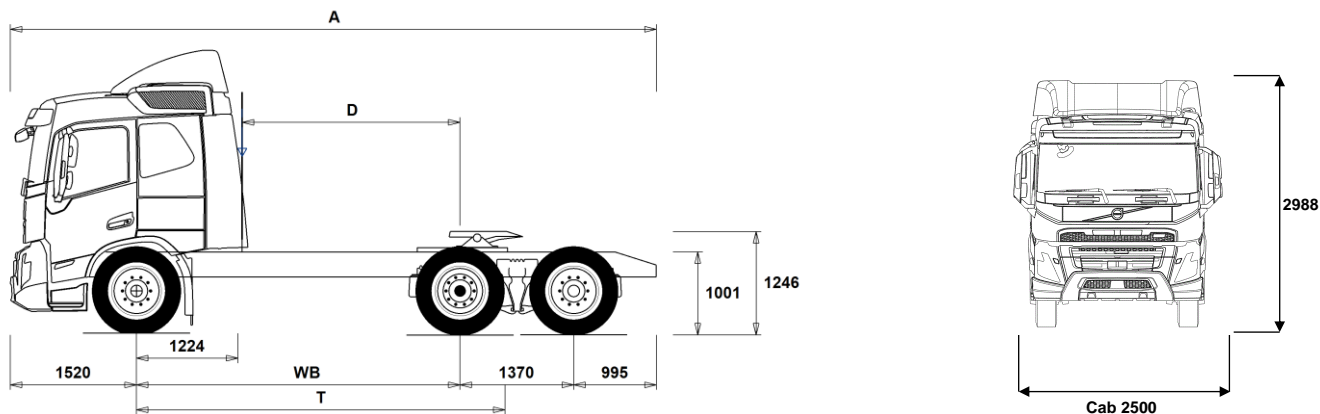


# MODEL RANGE

FMX 62 Tractor Fixed Tag Electric FMX 62T TE



## Chassis Dimensions [mm]

<b>WB Wheelbase</b>	<b>3900</b>
A Overall Chassis Length	7785
D Center of rear axle to back of cab	2626
F Fifth Wheel Position (EC Directive 96/53)	925
T Theoretical Wheelbase	4441

## Chassis Weights [kg]

Front Axle	6160
Rear Bogie	5140
Kerb Weight	11300

## Turning Diameter [mm]

Turning Circle Diameter Kerb to Kerb	15600
Turning Circle Diameter Wall to Wall	17100

## Plated Weights [kg]

Gross Vehicle Weight	27000
Gross Combination Weight	44000
Front Axle	8000
Rear Bogie	19000

## Design

27000
44000
8000
19000

## Important Notes

### Chassis Dimensions

Cab Height: +370 mm for CAB-HSLP, -208 mm for CAB-LSLP.  
 D-measure includes a front clearance of 50 mm and for rigid trucks also a subframe of 100 mm.  
 Height can vary ± 20 mm for leaf and ± 10 mm for air suspension.  
 All dimensions are for unladen chassis and any tag axles down. Chassis height used: CHH-MED.  
 Height change when chassis height CHH-HIGH: 0 mm.

Weight and dimensions are based upon the following tyres:  
 Front Axle Tyres: 315/80R22.5  
 Drive Axle Tyres: 315/80R22.5  
 Trailing/Pusher Axle Tyres: 315/80R22.5

Chassis weight includes oil, water, AdBlue, 0 litres fuel and without driver. Kerb weight can vary ± 10%.

Turning diameters are theoretically calculated. Tag axle used: TA-FIXED.

Legal weights can differ from country to country.

For more detailed weight information, including optional equipment weights, ask your Volvo sales contact to enter your specification into the Volvo Weight Information system (WIS).

Do NOT use this drawing for bodybuilding. Refer to Volvo Bodybuilder Instructions and chassis assembly drawing FMX62TTE.

# MODEL RANGE

## FMX 62 Tractor Fixed Tag Electric FMX 62T TE

### Transport operation

- **RC-SMOOT** Smooth road conditions.  
At least 95% of the driven distance on well maintained or less maintained surfaced roads.  
Driving occurs on:  
- Badly maintained surfaced roads.  
- Hard packed sand or gravel surface of good or bad quality.

### Core components

- CHH-HIGH** Chassis height high - approx. 1000 mm above ground level
- CHH-MED** Chassis height medium - approx. 900 mm above ground level
- TAG-FIXD** Fixed tag axle with twin wheels (4 wheels on complete axle)
- **TAG-FIXS** Fixed tag axle with single wheels (two wheels on complete axle)
- **RADT-GR** Rear air suspension, 2 axles - 1 driven / 1 tag
- FMXE-HSL** FMX Electric high sleeper cab
- FMXE-LSL** FMX Electric low sleeper cab
- **FMXE-SLP** FMX Electric sleeper cab
- **EPT2412** Electric propulsion transmission 2400nm 12 speed
- **NEM3** 3 electrical motors
- RSS1344C** Rear single reduction solo axle - axle load 13 tonnes, GCW 44 tonnes, version C
- **RSS1344E** Rear single reduction solo axle - axle load 13 tonnes, GCW 44 tonnes, version E
- RSS1370A** Rear single reduction solo axle - axle load 13 tonnes, GCW 70 tonnes, version A

### Packages

- **INFONDF** Information package with Navigation support and prepared for Dynafleet vehicle onboard support
- DRIV-E** Drive package
- DRIV-E+** Drive Plus package
- DRIV-E++** Drive Plus Plus package
- 1LIVFM-E** Living package, one person
- 2LIVFM-E** Living package, two persons
- GSR2024** General safety regulations 2024
- GSR2024+** General safety regulations 2024 plus
- SAFE-E** Safety package
- SAFE-E+** Safety package +
- RANGOPT3** Range Optimization Package, three years prepaid subscription
- RANGOPT4** Range Optimization Package, four years prepaid subscription
- RANGOPT5** Range Optimization Package, five years prepaid subscription

### Chassis

- **FST-AIR** Front air suspension
- **FSLs-BAS** Front air suspension basic levelling stroke
- FAL10.0** Front axle load 10.0 tonnes
- **FAL8.0** Front axle load 8.0 tonnes
- FAL8.5** Front axle load 8.5 tonnes
- FAL9.0** Front axle load 9.0 tonnes
- FSTAB** Front stabilizer with normal stiffness
- **FSTAB2** Front stabilizer with medium high stiffness
- FSTAB3** Front stiff stabilizer
- **RAL19** Rear axles load 19 tonnes
- RAL20.5** Rear axles load 20.5 tonnes
- RAL22.5** Rear axles load 22.5 tonnes
- **RSTAB1** Rear stabilizer with normal stiffness
- RSTAB2** Rear stabilizer with medium stiffness
- RSTAB3** Rear stiff stabilizer
- RALIM10** First rear drive axle load limiter, 10 tonnes
- RALIM105** First rear drive axle load limiter, 10.5 tonnes (speed controlled)
- **RALIM115** First rear drive axle load limiter, 11.5 tonnes (speed controlled)
- **RALIM95** First rear drive axle load limiter, 9.5 tonnes
- **ASF-DL1** Air suspension with 1 driving level

- ASF-DLL** Air suspension speed dependant lowered chassi height for fuelsaving
- ACTST-TO** Volvo Dynamic Steering (VDS) with extra pump and torque overlay
- ASFE-BAS** Volvo Dynamic Steering feature basic
- ASFE-OG** Volvo Dynamic Steering stability assist
- ASFE-PO** Volvo Dynamic Steering personal settings, stability assist
- ASFE-PS** Volvo Dynamic Steering personal settings
- **RST-AIR** Rear air suspension
- RST-AIR4** Rear air suspension with increased stiffness for higher load capacity
- **FRAME300** Frame rail section external height 300 mm
- **FST8080** Frame section thickness - web 8.0 mm / flange 8.0 mm
- FIL-EEEB** Frame inner liner from end of engine end to end of bogie
- FIL-TXEB** Frame inner liner from transmission cross member to end of bogie
- **BBOX-EF** Battery box at end of frame when single battery system. Starter battery box on left hand side when dual battery system.
- **BATTAMP** Battery ampere
- BATTIND** Battery charge indication
- WHC-FOL1** 1 foldable wheel chock
- WHC-FOL2** 2 foldable wheel chocks
- WHCP-F** Wheel chock(s) in the front part of the vehicle.  
- TRACTOR, BBOX-L, Fold, 1/2 w chocks = Top of left side battery box  
- TRACTOR, BBOX-EF, Fold, 1/2 w chocks = Top of lefts side fuel tank  
- TRACTOR, BBOX-EF, Fix, 2 w chocks = Left frame front of fuel tank  
- RIGID, 1 front axle, Fold, 1/2 w chocks = Top of left side battery box  
- RIGID, 2 front axles, Fold, Frame free space, 2 wc = Top of left side battery box  
- RIGID, 2 front axles, Fix, W/o frame free space, 2 wc = Left frame behind 1st front wheel
- WHCP-T** Transport mounted wheel chock(s) in cab outer luggage compartment
- CHAIN-S** Snow chains
- HOOK-SC** The galvanised steel hooks are a practical solution developed to store the snow chains. For Rigid's there are two hooks attached in pre-punched holes on each side of the frame rail side of the rear frame overhang. On Tractors, two hooks are mounted in an existing hole pattern on the end of the rear frame overhang and a protection shield prevents the air tank from being damaged by the snow chains. The hooks will protrude approximately 200 mm behind the chassis frame end.  
The weight increase for the four hooks on Rigid's is approximately 3.5 kg and for Tractors with protection shield it is approximately 3 kg
- TOWF-HD1** One heavy duty front towing device
- TOWR-ONE** It is possible to use the frame end cross member as a towing cross member. This is restricted to infrequently used vehicles for short distance "on site" transport where a towing device is required. The towing cross member also has to be reinforced. This is achieved using a U-profile. TOWR-ONE features a reinforced end member and a lockable towing pin. It is dimensioned for an 8 tons single axle trailer or a 30 tons double axle trailer.
- TREL15** 15 pol electrical trailer connector (ADR certified)
- **TREL7-7** 2x7 pol (24N+24S) electrical trailer connectors (UADR)
- TBC-DUO** Trailer brake connection, Duomatic
- **TBC-EC** Trailer brake connection, European Community
- **TRBR-STA** Stationary trailer brake control

■ Standard Equipment       Optional Equipment

For more detailed information about cab and powertrain equipment, please refer to separate specification sheets.

For all possible options and combinations of options please consult your Volvo sales contact who can create a specification to match your requirements using the Volvo Sales Support system (VSS).

The factory reserves the right to modify design and change equipment without previous notification. The specification can vary from country to country.

# MODEL RANGE

## FMX 62 Tractor Fixed Tag Electric FMX 62T TE

- TRB-STRE** Automatic low speed trailer brake activation (stretch brake) to avoid jack-knifing and to improve steerability
  - **RFEND-B** The fenders have a robust three-piece design with a top part that can easily be removed (no tools required) facilitating access for body building and service. The fenders are manufactured from black plastic and received in different performance to suit chassis height and tyre dimension. The fender design fulfils the technical requirements of current EU directive.
  - **RFH-BAS** Optimal fender installation (rear and 2nd front axle) with regard to legal demands, wheel/tyre sizes, chassis height and fifth wheel height.
  - RFH-HIG** Highest fender installation (rear and 2nd front axle). Suitable for rough and very rough road conditions.
  - RFH-LOW** Lower fender installation (rear and 2nd front axle). Suitable only for smooth road conditions. Increased risk of fender top wear.
  - **BLIGHT-E** Flashing brake lights will automatically activate in emergency braking. The flashing frequency is 4 Hz and emergency braking is detected if speed exceeds 50km/h and retardation is 4 m/s<sup>2</sup> or more. The function deactivates when retardation is less than 2.5 m/s<sup>2</sup>
  - FRACLOS** Frame end closing
- ### Rims and Tyres
- **RT-AL** Brushed aluminium rims with std holes (long stud fixing) on all axles
  - RT-ALDP** Dura-Bright polished aluminium rims with std holes (long stud fixing) on all axles
  - RT-ALDPD** Dura-Bright polished aluminium rims with countersunk holes (short stud fixing) on all axles
  - RT-ALDU** Brushed aluminium rims with countersunk holes (short stud fixing) on all axles
  - SPWT-D** Spare wheel with tyre equal to drive
  - SPWT-F** Spare wheel with tyre equal to front wheel
  - SWCP-T** Plastic strips strapped to the chassis are used as a temporary spare wheel carrier. Note that the mounting only is temporary and used during transportation.
  - SWCP-TP** Plastic strips strapped to the chassis are used as a temporary spare wheel carrier. Note that the mounting only is temporary and used during transportation. An ordinary spare wheel carrier is also included. This carrier is transport mounted on top of the temporarily chassis frame strapped spare wheel.
  - JACK-12T** Jack 12 tonnes The hydraulic jack has a capacity of 12 tonnes and its low manual pumping force facilitates use in uncomfortable positions. It has a release valve, which permits safe, easy and precise control over rate of lowering and a filter in the oil reservoir gives protection from contamination. The jack has a minimum height of 180 mm and a maximum height of 315 mm. Weight: 7.3 kg
  - JACK-15T** The hydraulic jack has a capacity of 15 tonnes and its low manual pumping force facilitates use in uncomfortable positions. It has a release valve, which permits safe, easy and precise control over rate of lowering and a filter in the oil reservoir gives protection from contamination. The jack has a minimum height of 225 mm and a maximum height of 435 mm. Weight: 10.8 kg
  - JACK-20T** The hydraulic jack has a capacity of 20 tonnes and its low manual pumping force facilitates use in uncomfortable positions. It has a release valve, which permits safe, easy and precise control over rate of lowering and a filter in the oil reservoir gives protection from contamination. The jack has a minimum height of 190 mm and a maximum height of 325 mm. Weight: 11.5 kg
- **TOOL-BAS** This kit consists of a tool bag (case) including the following tools:
    - Combination screwdriver.
    - 1 screwdriver handle
    - 1 blade, Philips/flat blade
    - 1 blade, Torx T10/Torx T20
    - 1 blade, Torx T25/Torx T27
    - 1 blade, Torx T30/Torx T40
    - Socket wrench.
  - TOOLKIT** This kit consists of a tool bag (case) including the following tools:
    - Combination screwdriver.
    - 1 screwdriver handle
    - 1 blade, Philips/flat blade
    - 1 blade, Torx T10/Torx T20
    - 1 blade, Torx T25/Torx T27
    - 1 blade, Torx T30/Torx T40
    - Socket wrench.
    - Adjustable pliers.
    - Allen key.
    - Adjustable spanner.
    - Hammer.
  - INFLAHOS** The tyre inflation hose is a 18 meter long air hose made of high quality rubber and equipped with nozzles on both ends. It can be used for filling air into a tyre by connecting the hose to an air tank valve on the truck. The tyre inflation hose is stored in the cab compartment for clean and easy access, either in the external luggage compartment (sleeper cab) or behind the seat (day cab).
  - GAUGE-TP** Tyre pressure gauge
- ### Powertrain equipment
- **DRM-BE** Drive mode, balanced and economy
  - **PVT-MAP** Map based topography information using a high resolution commercial topography map
  - PTR-D** Mechanical gearbox driven low speed power take-off, 1 rear connection (DIN 5462 / ISO 7653) for plug-in pump (max. 1000 Nm).
  - PTR-DH** Mechanical gearbox driven high speed power take-off, 1 rear connection (DIN 5462 / ISO 7653) for plug-in pump (max. 1000 Nm).
  - PTR-DM** Mechanical gearbox driven medium speed power take-off, 1 rear connection (DIN 5462 / ISO 7653) for plug-in pump (max. 600 Nm).
  - PTR-F** Mechanical gearbox driven low speed power take-off, 1 rear flange connection (SAE 1410 / ISO 7647) for propeller shaft (max. 1000 Nm).
  - PTR-FH** Mechanical gearbox driven high speed power take-off, 1 rear flange connection (SAE 1310 / ISO 7647) for propeller shaft (max. 600 Nm).
  - PTR-FL** Mechanical gearbox driven low speed power take-off, 1 rear flange connection (SAE 1310 / ISO 7647) for propeller shaft (max. 600 Nm).
  - PTRD-D** Mechanical gearbox driven high speed power take-off, 1 rear and 1 front connections (DIN 5462 / ISO 7653) for plug-in pumps (max. 870 Nm).
  - PTRD-D1** Mechanical gearbox driven high speed power take-off, 1 rear flange connection (SAE 1410 / ISO 7647) for propeller shaft / 1 front connection (DIN 5462 / ISO 7653) for plug-in pump (max. 870 Nm).
  - PTRD-D2** Mechanical gearbox driven power take-off, 2 rear flange (high-low speed) connections (SAE 1310/1410 / ISO 7647) for propeller shafts / 1 front (high speed) connection (DIN 5462 / ISO 7653) for plug-in pump (max. 870/1000 Nm).
  - PTRD-F** Mechanical gearbox driven high speed power take-off, 1 rear flange connection (SAE 1410 / ISO 7647) for propeller shaft (max. 870 Nm).
  - HPG-F101** Gearbox mounted hydraulic pump F1-101, fixed displacement, single flow

■ Standard Equipment       Optional Equipment

For more detailed information about cab and powertrain equipment, please refer to separate specification sheets.

For all possible options and combinations of options please consult your Volvo sales contact who can create a specification to match your requirements using the Volvo Sales Support system (VSS).

The factory reserves the right to modify design and change equipment without previous notification. The specification can vary from country to country.

# MODEL RANGE

## FMX 62 Tractor Fixed Tag Electric FMX 62T TE

<ul style="list-style-type: none"> <li><input type="checkbox"/> <b>HPG-F41</b> Gearbox mounted hydraulic pump F1-41, fixed displacement, single flow</li> <li><input type="checkbox"/> <b>HPG-F51</b> Gearbox mounted hydraulic pump F1-51, fixed displacement, single flow</li> <li><input type="checkbox"/> <b>HPG-F61</b> Gearbox mounted hydraulic pump F1-61, fixed displacement, single flow</li> <li><input type="checkbox"/> <b>HPG-F81</b> Gearbox mounted hydraulic pump F1-81, fixed displacement, single flow</li> </ul>	<ul style="list-style-type: none"> <li><input type="checkbox"/> <b>RTOLL-PK</b> Preparation kit for road toll collect (GPS/GSM antenna and cables)</li> <li><input checked="" type="checkbox"/> <b>LOADIND</b> Load indicator with dashboard display. Measures axle pressures, load weight and total weight of truck and one trailer.</li> <li><input type="checkbox"/> <b>REMC-MF</b> Wireless remote control - multi functional</li> <li><input type="checkbox"/> <b>FIREXT2G</b> The fire extinguisher is an important part of the safety equipment. It is extremely reliable, has a high capacity and withstands temperatures down to -30°C. The fire extinguisher manages to extinguish fires in electrical systems and brakes. It is located on the driver side*, beside the seat, which makes it easy to reach in case of an accident. The placement of the fire extinguisher may vary depending on the specification, but it is always easily reachable by the driver.</li> <li><input checked="" type="checkbox"/> <b>FIREXT3S</b> The fire extinguisher is an important part of the safety equipment. It is extremely reliable, has a high capacity and withstands temperatures down to -30°C. The fire extinguisher manages to extinguish fires in electrical systems and brakes. It is located on the driver side*, beside the seat, which makes it easy to reach in case of an accident. The placement of the fire extinguisher may vary depending on the specification, but it is always easily reachable by the driver.</li> <li><input type="checkbox"/> <b>WARNVEST</b> Reflective warning vest. The reflective vest makes a person clearly visible during work near a vehicle when it is dark or during other occasions when it is difficult to observe a person. It is made of yellow fluorescent textile, 100 % polyester, and it features two 50 mm wide reflective strips at the front and back. The reflective material is resistant to fuel and oil and works well in both wet and dry weather. The vest is stored in a plastic bag and it is washable at 40°C. Fulfills European standard according to EN 471 class 2.</li> <li><input checked="" type="checkbox"/> <b>WARNTRI2</b> Two warning triangles</li> <li><input type="checkbox"/> <b>AIDKIT</b> The first-aid kit features a well thought-out assortment of emergency treatment products for both minor and severe injuries: <ul style="list-style-type: none"> <li>• 1 first-aid instruction</li> <li>• 1 pair of scissors</li> <li>• 2 triangular bandage, unbleached cotton cloth</li> <li>• 2 pairs of protective gloves (large)</li> <li>• 3 gauze bandages 80x4000 mm</li> <li>• 2 gauze bandages 60x4000 mm</li> <li>• 1 bandaging cloth 600x800 mm</li> <li>• 2 bandaging cloths 400x600 mm</li> <li>• 6 gauze dressings 100x100 mm (3x2)</li> <li>• 1 adhesive bandage 60x100 mm</li> <li>• 1 adhesive tape 25x5000 mm</li> <li>• 1 first-aid packet 100x120 mm</li> <li>• 3 first-aid packets 80x100 mm</li> <li>• 1 rescue sheet 1600x2100 mm (gold/silver)</li> </ul> </li> <li><input type="checkbox"/> <b>AIDKIT1B</b> First aid kit containing sticking plaster, compresses, elastic bandages, gloves, scissors, triangular bandage, bandaging cloths, adhesive tape and rescue sheet (German requirements)</li> <li><input type="checkbox"/> <b>WARNLAMP</b> Portable warning lamp with batteries</li> <li><input type="checkbox"/> <b>LAMP-IN</b> Inspection lamp with 10 m cable</li> <li><input type="checkbox"/> <b>BULBKIT</b> Bulb and fuse kit</li> <li><input type="checkbox"/> <b>WRITEPAD</b> Writing pad with spring-loaded paper clip</li> </ul>
--	---

**Cab Interior, Driving**

<ul style="list-style-type: none"> <li><input checked="" type="checkbox"/> <b>CRUIS-E</b> Cruise control I-Cruise with controls in the steering wheel, I-Roll incl. Adding PVT-MAP give I-See.</li> <li><input checked="" type="checkbox"/> <b>STWPOS-L</b> Left hand drive</li> <li><input type="checkbox"/> <b>STWM-LE</b> Leather steering wheel</li> <li><input checked="" type="checkbox"/> <b>STGW-AD2</b> Mechanically adjustable steering wheel with neck tilt</li> <li><input type="checkbox"/> <b>1DAYB</b> One day analogue tachograph, basic</li> <li><input type="checkbox"/> <b>1DAYDIG2</b> Gen 2 one day digital tachograph, EC approved</li> <li><input checked="" type="checkbox"/> <b>1DAYDIG4</b> Gen 4 one day digital tachograph, EC approved</li> <li><input checked="" type="checkbox"/> <b>TAC-PK2</b> Preparation kit tachograph, TAS-PK, TAC-PK</li> <li><input type="checkbox"/> <b>ARSL</b> Additional road speed limiter (switch in dashboard) The additional road speed limiter allows the driver to define a temporary speed limit for the truck. This is a useful feature when entering a low-speed area. The driver activates the additional speed limiter by pressing a switch on the instrument panel and the current speed becomes the limit. The speed limiter is deactivated by pressing the switch and releasing the accelerator, lifting off to below 20% engagement.</li> <li><input checked="" type="checkbox"/> <b>ESP-BAS1</b> Electronic Stability Program package intended for RIGID single vehicles or vehicle combinations with standard centre of gravity height when laden and for TRACTOR vehicle combinations with a single trailer or multiple trailers with ABS/EBS.</li> <li><input type="checkbox"/> <b>ESPC-RO</b> ESP (Electronic Stability Program) functionality control - Reduced / Off</li> <li><input type="checkbox"/> <b>HWSS-AC</b> Adaptive cruise control with forward collision warning</li> <li><input checked="" type="checkbox"/> <b>HWSS-ACB</b> Adaptive cruise control with forward collision warning (stationary and moving objects) and emergency braking. Using both radar and camera to collect info.</li> <li><input checked="" type="checkbox"/> <b>HWSS-FCB</b> Forward collision warning (stationary and moving objects) with emergency braking</li> <li><input checked="" type="checkbox"/> <b>LSS-DW</b> Lane keeping support - lane departure warning system</li> <li><input checked="" type="checkbox"/> <b>LCS4</b> Side Collision Avoidance Support, passenger and driver side</li> <li><input type="checkbox"/> <b>DAS-W</b> Driver Alert Support (drowsy driver warning)</li> <li><input type="checkbox"/> <b>RSENS-W</b> Wiper rain sensor</li> <li><input checked="" type="checkbox"/> <b>CU-ECC</b> Fully electrically controlled air conditioning with sun sensor</li> <li><input type="checkbox"/> <b>CU-ECC2</b> Fully electrically controlled air conditioning with sun sensor, mist sensor, air quality sensor and carbon filter</li> <li><input checked="" type="checkbox"/> <b>IMMOBIL</b> Immobiliser</li> <li><input type="checkbox"/> <b>ALARM-E</b> Burglar alarm - cab/body/trailer</li> <li><input type="checkbox"/> <b>ISUNS-BS</b> Manually manoeuvred side interior sun visor (roller blind type) on both sides</li> <li><input checked="" type="checkbox"/> <b>ISUNS-DS</b> Manually manoeuvred side interior sun visor (roller blind type) on driver side</li> <li><input type="checkbox"/> <b>ISUNF-RE</b> Electrical textile interior sun visor (roller blind) integrated in front shelf</li> <li><input checked="" type="checkbox"/> <b>ISUNF-RM</b> Manual interior textile sun visor (roller-blind) integrated in front shelf</li> <li><input type="checkbox"/> <b>ADFS</b> Two extra DIN slots in front shelf (push/pull storage), 165x40x180 mm (WxHxD)</li> <li><input checked="" type="checkbox"/> <b>BUPALARM</b> Reversing warning unit (back-up alarm)</li> </ul>	<ul style="list-style-type: none"> <li><input type="checkbox"/> <b>Standard Equipment</b></li> <li><input type="checkbox"/> <b>Optional Equipment</b></li> </ul>
--	--

**Cab Interior, Living**

- DST-CF4** Driver seat, comfort, suspended, belt in seat
- DST-CF5** Driver seat, comfort, suspended, belt in seat, electrically heated

For more detailed information about cab and powertrain equipment, please refer to separate specification sheets.

For all possible options and combinations of options please consult your Volvo sales contact who can create a specification to match your requirements using the Volvo Sales Support system (VSS).

The factory reserves the right to modify design and change equipment without previous notification. The specification can vary from country to country.

# MODEL RANGE

## FMX 62 Tractor Fixed Tag Electric FMX 62T TE

<input type="checkbox"/> <b>DST-CF6</b>	Driver seat, comfort, suspended, belt in seat, electrically heated, ventilated	<input type="checkbox"/> <b>RH-ER</b>	Roof hatch - Electrically operated / steel / emergency exit handle
<input type="checkbox"/> <b>SBD-RED</b>	Red safety belts, passenger and driver seats. Improves and increases the safety image for transport companies.	<input type="checkbox"/> <b>RH-ETR</b>	Roof hatch - Electrically operated / Tinted glass / Rear opening
<input type="checkbox"/> <b>PST-BAS1</b>	Passenger seat, basic, non suspended	<input type="checkbox"/> <b>RH-MTR</b>	Roof hatch - Manually operated / Tinted glass / Rear opening
<input type="checkbox"/> <b>PST-CF4</b>	Passenger seat, comfort, suspended, belt in seat	<input checked="" type="checkbox"/> <b>GLAS-TIN</b>	Tinted windows (front/side/rear)
<input type="checkbox"/> <b>PST-CF5</b>	Passenger seat, comfort, suspended, belt in seat, electrically heated	<input type="checkbox"/> <b>AWIND-RF</b>	Rear fixed window (without curtains)
<input checked="" type="checkbox"/> <b>PST-STD2</b>	Passenger seat, regular, non suspended	<input type="checkbox"/> <b>SWIND-BS</b>	Extra side window on both sides
<input type="checkbox"/> <b>PST-STD4</b>	Passenger seat, regular, suspended	<input type="checkbox"/> <b>SWIND-PS</b>	Rear side window on passenger side
<input type="checkbox"/> <b>SBPRE-PS</b>	Passenger seat belt pretensioner	<input type="checkbox"/> <b>VANMIR</b>	Vanity mirror in front shelf lid. In sleeper cab on passenger side and in high/extra high cabs in middle section of the front shelf.
<input type="checkbox"/> <b>ARMRE-BB</b>	Two armrests on both driver and passenger seats	<input type="checkbox"/> <b>AS-FUS</b>	One extra shelf in each of the two front upper storage compartments. Only 1 shelf if microwave oven mounted in one of the two compartments.
<input type="checkbox"/> <b>ARMRE-DB</b>	Two armrests on driver seat	<input type="checkbox"/> <b>INFOT-PK</b>	Preparation kit (bracket, security straps, power cable, antenna cable and aux cable) for mounting of a television above driver door.
<input type="checkbox"/> <b>ARMRE-PB</b>	Two armrests on passenger seat		
<input type="checkbox"/> <b>ARU-BAS</b>	Vinyl armrest upholstery		
<input type="checkbox"/> <b>ARU-LEA</b>	Leather armrest upholstery		
<input checked="" type="checkbox"/> <b>FMAT-RUB</b>	Two black rubber floor mats		
<input type="checkbox"/> <b>FMAT-TX2</b>	Two textile (dark grey on FH/FM, black on FH16) and two black rubber floor mats		
<input checked="" type="checkbox"/> <b>LBK70</b>	Lower fixed bunk, not foldable - 2000x700 mm. Safety net included.		
<input type="checkbox"/> <b>MATL-FI</b>	Mattress lower bunk - firm for over approx. 100 kg, pocket springs.		
<input checked="" type="checkbox"/> <b>MATL-SF</b>	Mattress lower bunk - semi-firm up to approx 100 kg, pocket springs.		
<input type="checkbox"/> <b>OLMAT-BA</b>	Overlay mattress protector, 28 mm thick black textile		
<input type="checkbox"/> <b>OLMAT-PR</b>	Overlay mattress protector, 35 mm thick black textile		
<input type="checkbox"/> <b>TBK60F</b>	Fixed top bunk 600x1900 mm, foldable up to 52 degrees to rear wall (depending on cab version and upper storage). Safety net included.		
<input type="checkbox"/> <b>TBK70F</b>	Fixed top bunk 700x1900 mm, foldable up to 52 degrees to rear wall (depending on cab version and upper storage). Safety net included.		
<input checked="" type="checkbox"/> <b>SLCP-BAS</b>	Basic sleeper control panel (controlling interior light, parking heater, roof hatch and door lock)		
<input type="checkbox"/> <b>ETSB-F</b>	Storage on engine tunnel - on front top		
<input type="checkbox"/> <b>ETSB-FS</b>	Storage on engine tunnel - on front top and storage immersed into tunnel on right hand side		
<input type="checkbox"/> <b>ETSB-S</b>	Storage on engine tunnel - immersed into tunnel on right hand side		
<input type="checkbox"/> <b>RUS-BAS</b>	Rear cab upper storage 154 litres (300 mm high)		
<input type="checkbox"/> <b>RUS-HIG</b>	Rear cab upper storage 245 litres (440 mm high)		
<input type="checkbox"/> <b>REF-ICPK</b>	The kit consists of a bracket that is mounted on the engine tunnel and a hook that is mounted on the refrigerator side in order to strap it down to the bracket. The kit comes with all necessary equipment for installation of both the bracket and the refrigerator.		
<input type="checkbox"/> <b>REFR-RUS</b>	28 litre rear upper wall mounted refrigerator with dividers		
<input type="checkbox"/> <b>MICRO-PK</b>	The front shelf above the passenger seat is prepared from factory with prerouted electrical cables for installation of a 24 V microwave oven. Cables for power supply and ground connections are included.		
<input checked="" type="checkbox"/> <b>BOTH-D</b>	One 1.5 litre plastic soft-drink bottle holder under dashboard centre section		
<input type="checkbox"/> <b>COFMA-PK</b>	Preparation kit (24V) for coffee maker		
<input checked="" type="checkbox"/> <b>INLI-BAS</b>	Interior white light with smooth light transition at on/off, no dimming		
<input type="checkbox"/> <b>INLI-NL</b>	Interior white and red (night) light with smooth light transition at on/off		
<input type="checkbox"/> <b>INLI-NLD</b>	Interior white and red (night) light with smooth light transition at on/off and dimmer		
<input type="checkbox"/> <b>ARL-FLEX</b>	Two (driver and passenger side) reading lamps with flexible arms (snake lamps) and led lamps fitted on side walls		
<input checked="" type="checkbox"/> <b>RH-EE</b>	Without roof hatch, sky window / emergency exit (tinted glass)		

Standard Equipment

Optional Equipment

For more detailed information about cab and powertrain equipment, please refer to separate specification sheets.

For all possible options and combinations of options please consult your Volvo sales contact who can create a specification to match your requirements using the Volvo Sales Support system (VSS).

The factory reserves the right to modify design and change equipment without previous notification. The specification can vary from country to country.

### Cab Exterior

<input checked="" type="checkbox"/> <b>EXTL-BAS</b>	Exterior trim level basic with painted grill
<input type="checkbox"/> <b>LOCK-REM</b>	Central door locking with remote control
<input checked="" type="checkbox"/> <b>BUMP-HD</b>	Heavy duty front bumper
<input type="checkbox"/> <b>CTILT-P-E</b>	Electrical cab tilt pump
<input checked="" type="checkbox"/> <b>CTILT-P-M</b>	Manual cab tilt pump
<input type="checkbox"/> <b>FCABS-A</b>	Air front cab suspension
<input checked="" type="checkbox"/> <b>FCABS-M</b>	Mechanical cab suspension
<input type="checkbox"/> <b>RCABS-A</b>	Air rear cab suspension
<input checked="" type="checkbox"/> <b>RCABS-M</b>	Mechanical rear cab suspension
<input checked="" type="checkbox"/> <b>MIRFCFPX</b>	Electrically heated and operated rear view mirrors with a wide angle section on both sides and kerb
<input type="checkbox"/> <b>MIRFLA3</b>	Flat electrically heated and operated exterior mirrors with wide angle and close view mirror on passenger side
<input checked="" type="checkbox"/> <b>AMIR-F20</b>	Front close view mirror above windscreen, passenger side (radius 200 mm)
<input type="checkbox"/> <b>SUNV-H</b>	Exterior transparent dark grey front sun visor
<input checked="" type="checkbox"/> <b>AD-ROOF</b>	Roof air deflector. Design (length, height etc.) automatically calculated and varies depending on vehicle total height (chassis height, cab type, tyres etc).
<input checked="" type="checkbox"/> <b>AD-SIDEL</b>	Long cab side air deflector
<input type="checkbox"/> <b>AD-SIDES</b>	Short cab side air deflectors
<input checked="" type="checkbox"/> <b>ADCF-F</b>	Additional flap on chassis fairings
<input type="checkbox"/> <b>HLP-ST</b>	Steel headlamp protection
<input type="checkbox"/> <b>HLP-ST2</b>	Steel wire mesh headlamp protection
<input checked="" type="checkbox"/> <b>DRL-LED</b>	V-shaped ("V-light") day running light (LED). Turned on low beam gives a dimmed "V-light". Without day running light (dimmed V-light)
<input type="checkbox"/> <b>UDRL</b>	
<input type="checkbox"/> <b>ASL-RF2</b>	Two Hella H11 70W spot lamps in sign box (one on each side of the Globetrotter sign)
<input type="checkbox"/> <b>IDLAMP-A</b>	Three middle front roof mounted amber identification lamps
<input type="checkbox"/> <b>IDLAMP-W</b>	Three middle front roof mounted white identification lamps
<input type="checkbox"/> <b>IDLMPSW</b>	Switch in cab for identification lamps
<input type="checkbox"/> <b>BEACOA2F</b>	Two LED warning lights on the cab front
<input type="checkbox"/> <b>BEACOA2R</b>	Two LED warning lights on the cab rear
<input type="checkbox"/> <b>BEACON-P</b>	Preparation kit
<input type="checkbox"/> <b>BEACONA4</b>	Four LED warning lights on the cab front-rear
<input type="checkbox"/> <b>CABPT-R1</b>	One front cab roof pass through on passenger side
<input checked="" type="checkbox"/> <b>CABPT-R2</b>	Two front cab roof pass throughs, one on each side
<input type="checkbox"/> <b>SPOTP-F</b>	Spotlamp preparation in cab front, max 280W
<input type="checkbox"/> <b>SPOTP-R</b>	Spotlamp preparation on cab roof, max 280W

# MODEL RANGE

## FMX 62 Tractor Fixed Tag Electric FMX 62T TE

<input type="checkbox"/> <b>SPOTP-RF</b>	Spotlamp preparation on cab roof and in cab front, max 2x280W	<input type="checkbox"/> <b>SRWL-2RW</b>	Two H3 70W white rear chassis mounted (LH/RH side) working lamps and a 3-position switch (On/Off/Reverse auto on)
<input type="checkbox"/> <b>ROS-IL</b>	Illuminated roof sign with switch in radio shelf. Switch for turning on/off.	<input type="checkbox"/> <b>SRWL-PK</b>	Wiring preparation for chassis mounted working lamps and a 3-position switch (On/Off/Reverse auto on). Max load 280W.
<input type="checkbox"/> <b>ROS-IL2</b>	Preparation kit for installing an illuminated roof sign*. It includes a prerouted cable harness, a switch and LED-lamps. The switch is connected in the radio shelf middle section. Switch cap with icon, are enclosed in cab. Lamps in sign are mounted. The stripe in the Globetrotter window is selected via the cab sign variants	<input type="checkbox"/> <b>SWL-2RA</b>	Two H3 35W amber rear chassis mounted (LH/RH side) working lamps and a 2-position switch (On/Off)
<input type="checkbox"/> <b>ROS-ILP</b>	Wiring preparation kit (wires and switch) for cab sign or roof air deflector illumination	<input type="checkbox"/> <b>SWL-2RW</b>	Two H3 70W white rear chassis mounted (LH/RH side) working lamps and a 2-position switch (On/Off)
<input type="checkbox"/> <b>CSGN-FMX</b>	FMX decal in the cab roof sign area	<input type="checkbox"/> <b>SWL-PK</b>	Wiring preparation for chassis mounted working lamps and a 2-position switch (On/Off). Max load 280W.
<input type="checkbox"/> <b>HORN-F1S</b>	One front mounted (behind grille) single tone air horn, Jericho. Operated by steering wheel buttons.	<input type="checkbox"/> <b>WL-TA1A</b>	Trailer arch working lamp with amber coloured lens and H3/35W bulb
<input type="checkbox"/> <b>HORN-R2S</b>	Two roof mounted single tone chromed air horns. Operated by steering wheel buttons.	<input type="checkbox"/> <b>WL-TA1W</b>	Trailer arch working lamp with white lens and LED/70W bulb
<input type="checkbox"/> <b>ANT-CBR</b>	Right hand side roof mounted foldable antenna and cables for CB radio, single aerial.	<input type="checkbox"/> <b>WLC-H2A</b>	Two H3/70W working lamps with amber coloured lens high mounted back of cab (switch incl).
<input type="checkbox"/> <b>ACCBR-AP</b>	Front, middle & rear roof mounted accessory brackets	<input type="checkbox"/> <b>WLC-H2W</b>	Two H3/70W working lamps, white lens high mounted back of cab (switch incl).
<input type="checkbox"/> <b>ACCBR-F</b>	Front roof mounted accessory bracket	<input type="checkbox"/> <b>WLC-PKH</b>	Preparation kit (cables and switch) for high mounted working lamps back of cab (pass through in cab rear roof included). Max load 280W.
<input type="checkbox"/> <b>ACCBR-FM</b>	Front & middle roof mounted accessory brackets	<input type="checkbox"/> <b>WLC-PKL</b>	Preparation kit (cables and switch) for low mounted working lamps back of cab (pass through in cab rear wall included). Max load 280W.
<input type="checkbox"/> <b>ACCBR-FR</b>	Front & rear roof mounted accessory brackets	<input type="checkbox"/> <b>WLC-PKLH</b>	Preparation kit (cables and switch) for low and high mounted working lamps back of cab (pass throughs in rear wall and rear roof included). Max load 280W.
<input type="checkbox"/> <b>ACCBR-M</b>	Middle roof mounted accessory bracket	<input checked="" type="checkbox"/> <b>ECBB-BAS</b>	Body builder electrical centre without any body builder module
<input type="checkbox"/> <b>ACCBR-R</b>	Rear roof mounted accessory bracket	<input checked="" type="checkbox"/> <b>ECBB-HIG</b>	Body builder electrical centre with cab body builder module, 14 high and 4 low dig. outlet
<input type="checkbox"/> <b>ACCBR-RM</b>	Rear & middle roof mounted accessory brackets	<input type="checkbox"/> <b>BBCHAS1</b>	One 7-pole connector for Body builder interface. Wiring harness routed from the bodybuilder electrical distribution box inside the cab to a connection point inside the right frame rail beside the gearbox.
<input type="checkbox"/> <b>RFCAR-BC</b>	Rear fender carrier back of cab	<input type="checkbox"/> <b>BBCHAS3</b>	Three 7-pole connectors for Body builder interface. Wiring harness routed from the bodybuilder electrical distribution box inside the cab to a connection point inside the right frame rail beside the gearbox.
<input type="checkbox"/> <b>LADDER</b>	Ladder back of cab	<input type="checkbox"/> <b>BEPR-T2</b>	Body builder electrical software preparation for tipper with remote control
<input type="checkbox"/> <b>REFS-TW</b>	Reflecting white cab side stripes by-packed in cab	<input type="checkbox"/> <b>EXSTER</b>	Support for external steering control via body builder module
<input type="checkbox"/> <b>REFS-TY</b>	Reflecting yellow cab side stripes by-packed in cab	<input type="checkbox"/> <b>TD-BAS</b>	Trailer detection without LED sensor
<b>Superstructure preparations</b>		<input type="checkbox"/> <b>TD-LED</b>	Trailer detection with LED sensor
<input type="checkbox"/> <b>5WM-ASM</b>	Fifth wheel mounting on air actuated slider and 50 mm L-profiles	<input type="checkbox"/> <b>AUXL-SPK</b>	Electrical preparation kit (wiring and a switch in dashboard) for snow plough lights. Preparation for installation of additional headlights and additional turning indicators.
<input checked="" type="checkbox"/> <b>5WM-ISOM</b>	Fifth wheel ISO mounting on medium L-profiles (t=8 mm) with 10 mm ISO tie plate. L-profile height above frame = 50 mm. Total height above frame 60 mm.	<input type="checkbox"/> <b>TAILPRE2</b>	Tail lift preparation kit, wireless remote operation
<input type="checkbox"/> <b>5WT-FO14</b>	Fontaine 150SP2 pressed steel fixed fifth wheel	<input type="checkbox"/> <b>TAILPREP</b>	Tail lift preparation kit, wire remote operation
<input type="checkbox"/> <b>5WT-FO15</b>	Fontaine cast iron 3000 series air actuated sliding fifth wheel. Specified fifth wheel position always gives rearmost position.	<input type="checkbox"/> <b>AESW2</b>	Two Body builder bistable electrical switches (marked AUX1 / AUX2)
<input type="checkbox"/> <b>5WT-JO8</b>	Jost JSK 37 cast iron fixed fifth wheel	<input type="checkbox"/> <b>AESW2PK</b>	Two Body builder bistable electrical switches (marked AUX1/AUX2) and in an empty 4-group preparation another four bistable switches with dummy switch caps
<input type="checkbox"/> <b>5WT-JO9</b>	Jost JSK 42 cast iron fixed fifth wheel	<input type="checkbox"/> <b>AUXSW-4</b>	Wiring for 4 extra hardwired switches (from Body builder electrical centre to switch positions)
<input checked="" type="checkbox"/> <b>5WT-SH</b>	SAF-Holland/+GF+ SK-S 36.20 V cast iron fixed fifth wheel	<b>Services</b>	
<input type="checkbox"/> <b>5WH150</b>	Fifth wheel leg-height 150 mm	<input type="checkbox"/> <b>FMS-PK</b>	Fleet Management System gateway, preparation kit
<input type="checkbox"/> <b>5WH175</b>	Fifth wheel leg-height 175 mm	<input type="checkbox"/> <b>DRUT1</b>	My Truck connects the vehicle to the smartphone app, 1 year prepaid subscription
<input checked="" type="checkbox"/> <b>5WH185</b>	Fifth wheel leg-height 185 mm	<input type="checkbox"/> <b>DRUT2</b>	My Truck connects the vehicle to the smartphone app, 2 year prepaid subscription
<input type="checkbox"/> <b>5WH190</b>	Fifth wheel leg-height 190 mm	<input type="checkbox"/> <b>DRUT3</b>	My Truck connects the vehicle to the smartphone app, 3 year prepaid subscription
<input type="checkbox"/> <b>5WH195</b>	Fifth wheel leg-height 195 mm	<input type="checkbox"/> <b>DRUT4</b>	My Truck connects the vehicle to the smartphone app, 4 year prepaid subscription
<input type="checkbox"/> <b>5WH205</b>	Fifth wheel leg-height 205 mm		
<input type="checkbox"/> <b>5WH210</b>	Fifth wheel leg-height 210 mm		
<input type="checkbox"/> <b>5WH220</b>	Fifth wheel leg-height 220 mm		
<input checked="" type="checkbox"/> <b>5WLM-B</b>	Basic fifth wheel maintenance		
<input type="checkbox"/> <b>5WLM-L</b>	Low fifth wheel maintenance with plastic top plate		
<input type="checkbox"/> <b>5WL-S1</b>	Fifth wheel lubrication - locking mechanism and top plate		
<input type="checkbox"/> <b>5WL-S2</b>	Fifth wheel lubrication - locking mechanism		
<input type="checkbox"/> <b>TCIND</b>	Trailer connection indication with sensors for height, kingpin and coupling lock		
<input checked="" type="checkbox"/> <b>RDECK</b>	Basic rear deck (one plate between frame rails and one over left fuel tank or left battery box)		
<input type="checkbox"/> <b>RDECK-M</b>	Medium rear deck (two plates between frame rails and one over left fuel tank or left battery box)		
<input type="checkbox"/> <b>SRWL-2RA</b>	Two H3 35W amber rear chassis mounted (LH/RH side) working lamps and a 3-position switch (On/Off/Reverse auto on)		

Standard Equipment

Optional Equipment

For more detailed information about cab and powertrain equipment, please refer to separate specification sheets.

For all possible options and combinations of options please consult your Volvo sales contact who can create a specification to match your requirements using the Volvo Sales Support system (VSS).

The factory reserves the right to modify design and change equipment without previous notification. The specification can vary from country to country.

# MODEL RANGE

FMX 62 Tractor Fixed Tag Electric FMX 62T TE

---

- DRUT5** My Truck connects the vehicle to the smartphone app, 5 year prepaid subscription

Volvo Trucks. Driving Progress