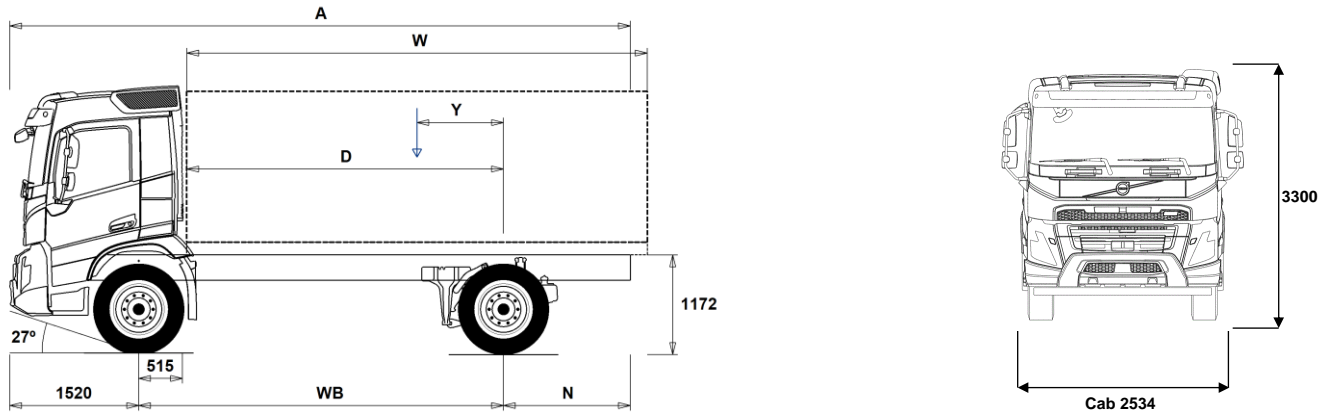


MODEL RANGE

FMX D13 44 Rigid Diesel Rear Air FMX 44R 3A



Chassis Dimensions [mm]

WB Wheelbase	4000	4300	4600	4900
A Overall Chassis Length	7715	8165	8665	9115
D Center of rear axle to front of body	3435	3735	4035	4335
N Rear Overhang (Min.)	1395	1395	1395	1395
N Rear Overhang (Max.)	2195	2345	2545	2695
Y Center of Gravity for Payload (Min.)	850	911	975	1038
Y Center of Gravity for Payload (Max.)	850	911	975	1038
W Body Length (Min.)	5186	5664	6135	6609
W Body Length (Max.)	5186	5664	6135	6609

Chassis Weights [kg]

Front Axle	5175	5190	5195	5205
Rear Axle	2405	2440	2475	2505
Kerb Weight	7580	7630	7670	7710
Payload (including body, driver, fuel, etc.)	13420	13370	13330	13290

Turning Diameter [mm]

Turning Circle Diameter Kerb to Kerb	15200	16100	17100	18100
Turning Circle Diameter Wall to Wall	16600	17500	18500	19500

Plated Weights [kg]

	Design
Gross Vehicle Weight	21000
Gross Combination Weight	44000
Front Axle	8000
Rear Axle	13000

Important Notes

Chassis Dimensions

Cab Height: +328 mm for CAB-HSLP, -262 mm for CAB-LDAY, -262 mm for CAB-LSLP, +16 mm for CAB-SLP.

Front Axle to Back of Cab: +431 mm for CAB-HSLP and CAB-SLP, -69 mm for CAB-LDAY, +425 mm for CAB-LSLP.

D-measure includes a front clearance of 50 mm and for rigid trucks also a subframe of 100 mm.

Height can vary ± 20 mm for leaf and ± 10 mm for air suspension.

All dimensions are for unladen chassis and any tag axles down.

Rear overhang used for vehicle weight calculation is the maximum rear overhang (N Max.) for selected wheelbase.

Weight and dimensions are based upon the following tyres:

Front Axle Tyres: 315/80R22.5
 Drive Axle Tyres: 315/80R22.5

Chassis weight includes oil, water, AdBlue, 0 litres fuel and without driver. Kerb weight can vary ± 3%.

Turning diameters are theoretically calculated.

Legal weights can differ from country to country.

For more detailed weight information, including optional equipment weights, ask your Volvo sales contact to enter your specification into the Volvo Weight Information system (WIS).

Do NOT use this drawing for bodybuilding. Refer to Volvo Bodybuilder Instructions and chassis assembly drawing FMX44R3A.

MODEL RANGE

FMX D13 44 Rigid Diesel Rear Air FMX 44R 3A

Transport operation

- **UNIFORM** Basic platform vehicle

Core components

- **RAD-G2** Rear air suspension, 1 axle - 1 driven, high ground clearance
- **CDCOPREP** Cab day cut out preparation, free text CA needed
- **FMX-CREW** FMX Crewcab, free text CA needed.
- **FMX-DAY5** FMX Day cab
- **FMX-HSL5** FMX Globetrotter sleeper cab
- **FMX-LDA5** FMX Low Day cab
- **FMX-LSL5** FMX Low sleeper cab
- **FMX-SLP5** FMX Sleeper cab
- **EU6SCR** Euro 6 emission level with Selective Catalytic Reduction (SCR), particulate filter and Exhaust Gas Recirculation (EGR)
- **D13S420A** New:Diesel engine with Turbo-S, 12.8 litre Euro 6 SCR+EGR (Diesel Particulate Filter),420 hp,2100 NM
- **D13S460A** New:Diesel engine with Turbo-S, 12.8 litre Euro 6 SCR+EGR (Diesel Particulate Filter),460 hp,2300 Nm
- **D13S500A** New:Diesel engine with Turbo-S, 12.8 litre Euro 6 SCR+EGR(Diesel Particulate Filter),500 hp,2500 Nm
- **D13S540A** New:Diesel engine Turbo-S, 12.8 litre Euro 6 SCR+EGR (Diesel Particulate Filter),540 hp,2600 Nm
- **D13K420** Diesel engine, 12.8 litre Euro 6 SCR + EGR (Diesel Particulate Filter), 420 hp
- **D13K460** Diesel engine, 12.8 litre Euro 6 SCR + EGR (Diesel Particulate Filter), 460 hp
- **D13K500** Diesel engine, 12.8 litre Euro 6 SCR + EGR (Diesel Particulate Filter), 500 hp.
- **D13K540** Diesel engine, 12.8 litre Euro 6 SCR + EGR (Diesel Particulate Filter), 540 hp
- **EBR-EPG** Engine brake with exhaust pressure governor, EPG
- **EBR-EPGC** Exhaust pressure governor with Volvo compression brake
- **EBR-VEB+** Volvo Engine Brake, VEB+ (high efficiency compression brake with exhaust pressure governor, EPG)
- **AT2612** I-Shift automated mechanical 12-speed gearbox without clutch pedal, max. engine torque 2600 Nm, max.
- **ATO2612** I-Shift automated mechanical 12-speed overdrive gearbox without clutch, max. engine torque 2600 Nm, max. Suitable for hub reduction rear axles.
- **PT2606** Powertronic automatic 6-speed gearbox, max. engine torque 2600 Nm, max. permitted GCW 130000 kg
- **ASO-C** One crawler gear
- **ASO-ULC** Two crawler gears, one ultra low crawler and one crawler
- **RSH1370F** Rear hub reduction solo axle - axle load 13 tonnes, GCW 70 tonnes, version F

Packages

- **DRIVE5** Driving package
- **DRIVE5+** Driving plus package
- **DRIVE5++** Driving plus/plus package
- **1LIVINFM** Living package 1 person
- **2LIVINFM** Living package 2 persons
- **INFOBAS** Information package, basic
- **INFODF** Information package prepared for Dynafleet vehicle onboard support
- **INFOMED** Information package, medium
- **INFONAV** Information package with Navigation support
- **INFONDF** Information package with Navigation support and prepared for Dynafleet vehicle onboard support
- **VISIX5** Visibility package FMX
- **VISIXCAM**
- **GSR2024** General safety regulations 2024
- **OFFROADD** Construction package for FM/FMX day cab
- **OFFROADS** Construction package for sleeper cabs

Chassis

- **FST-PAR3** 3 leaf front parabolic suspension (stiffer than normal)

- **FAL10.0** Front axle load 10.0 tonnes
- **FAL8.0** Front axle load 8.0 tonnes
- **FAL9.0** Front axle load 9.0 tonnes
- **FSTAB** Front stabilizer with normal stiffness
- **RAL13** Rear axle load 13 tonnes
- **RSTAB3** Rear stiff stabilizer
- **ASF-DL1** Air suspension with 1 driving level
- **ASF-DL3** Air suspension with 3 driving levels
- **PSP-FIX** Power steering pump with fixed displacement
- **PSP-VAR** Power steering pump with variable displacement
- **EBS-MED** EBS (Electronic Brake System) medium package:
 - ABS (Anti-lock Braking System)
 - Lining Wear Sensing (20 % left)
 - Lining Wear Control (incl. wear on the axle)
 - Brake Blending
 - Drag Torque Control
 - Diff Lock Synchronization
 - Diff lock Control
 - Brake Temperature Warning
 - External Brake Demand
 - Diagnosis Via Truck Electronic System
 - Traction Control System
 - Emergency Brake Assistance
 - Constant Wheel Brake Monitoring
 - Coupling Force Control
 - Automatic Parking Brake Activation
 - Lining Wear Analyses (calc of remaining mileage)
 - Auto hold
 - EBS status monitoring via Truck Electronic System
- **EBS-STD** EBS (Electronic Brake System) standard package:
 - ABS (Anti-lock Braking System)
 - Lining Wear Sensing (20 % left)
 - Lining Wear Control (incl. wear on the axle)
 - Brake Blending
 - Drag Torque Control
 - Diff Lock Synchronization
 - Diff lock Control
 - Brake Temperature Warning
 - External Brake Demand
 - Diagnosis Via Truck Electronic System
 - Traction Control System
 - Emergency Brake Assistance
 - Constant Wheel Brake Monitoring
 - Coupling Force Control
 - Automatic Parking Brake Activation
- **AUXPARK** Two extra parking brake chambers
- **RST-AIR** Rear air suspension
- **FRAME300** Frame rail section external height 300 mm
- **FST8080** Frame section thickness - web 8.0 mm / flange 8.0 mm
- **FIL-EEEB** Frame inner liner from end of engine end to end of bogie
- **FIL-EEEF** Frame inner liner from end of engine end to end of frame
- **FIL-TXEB** Frame inner liner from transmission cross member to end of bogie
- **FIL-TXEF** Frame inner liner from transmission cross member to end of frame
- **BBOX-L** Battery box on left hand side
- **2BAT210B** Gel batteries 2x210 Ah
- **2BAT210C** AGM batteries 2x210 Ah
- **BATTAMP** Battery voltage and ampere gauge
- **BATTIND** Battery voltage, ampere and battery status gauge with visual alerts
- **MSWI-C** Chassis main switch - battery box placed toggle switch circuit shut down
- **MSWI-R** Remote controlled main switch - key fob operated circuit shut down
- **R315A56** Right 315 litre aluminium 560 mm high D-shaped diesel tank. Usable volume is 97% of stated volume.

- Standard Equipment
- Optional Equipment

For more detailed information about cab and powertrain equipment, please refer to separate specification sheets.

For all possible options and combinations of options please consult your Volvo sales contact who can create a specification to match your requirements using the Volvo Sales Support system (VSS).

The factory reserves the right to modify design and change equipment without previous notification. The specification can vary from country to country.

MODEL RANGE

FMX D13 44 Rigid Diesel Rear Air FMX 44R 3A

	Min volume 255l Max volume 630l				hole pattern on the end of the rear frame overhang and a protection shield prevents the air tank from being damaged by the snow chains. The hooks will protrude approximately 200 mm behind the chassis frame end. The weight increase for the four hooks on Rigid's is approximately 3.5 kg and for Tractors with protection shield it is approximately 3 kg
<input type="checkbox"/> ADTP-L	AdBlue tank on left hand side (for dual front axles between the axles)				
<input checked="" type="checkbox"/> ADTP-R	AdBlue tank on right hand side				
<input checked="" type="checkbox"/> ADB048	AdBlue tank usable volume 48 litres, 560 mm high mounted on chassi side.			<input checked="" type="checkbox"/> TOWF-HD1	One heavy duty front towing device
<input type="checkbox"/> ADB064	AdBlue tank usable volume 64 litres, 710 mm high mounted on chassi side.			<input type="checkbox"/> TOWMBRH	High mounted towing member, in centre of frame
<input type="checkbox"/> ADB068	AdBlue tank usable volume 68 litres, 560 mm high mounted on chassi side.			<input type="checkbox"/> TOWMBRL1	Towing member, low mounted under the frame (position 1)
<input type="checkbox"/> ADB083	AdBlue tank usable volume 83 litres, 560 mm high mounted on chassi side.			<input type="checkbox"/> TOWMBRM	Towing member, medium mounted in line with frame lower flange
<input type="checkbox"/> ADB090	AdBlue tank usable volume 90 litres, 710 mm high mounted on chassi side.			<input checked="" type="checkbox"/> RFEC-S	Rear frame end, straight cut (for regular platform applications)
<input type="checkbox"/> ADB112	AdBlue tank usable volume 112 litres, 710 mm high mounted on chassi side.			<input type="checkbox"/> RFEC-U	Rear frame end, upper cut (for e.g. tipper, refuse and hooklift applications)
<input checked="" type="checkbox"/> FCAP-L	The variant includes two or three lockable caps, one or two for the fuel tank(s) and one for the AdBlue tank, and two keys that fit all tank locks (not cab door locks). The number of fuel tank caps are depending of how many fuel tanks that are specified.			<input type="checkbox"/> C-RI4040	Towing coupling Ringfeder RF4040A G-150
<input checked="" type="checkbox"/> FUFF-AS	Fuel filling anti-spillage device			<input type="checkbox"/> C-RI4045	Towing coupling Ringfeder RF4045A G-150
<input type="checkbox"/> FUFF-ATS	Fuel filling anti-theft and anti-spillage devices			<input type="checkbox"/> C-RI5050	Towing coupling Ringfeder RF5050A G-150
<input checked="" type="checkbox"/> ESH-REAR	Horizontal muffler, rear exhaust outlet			<input type="checkbox"/> C-RO400G	Towing coupling Rockinger 400 G-150
<input type="checkbox"/> ESH-VERT	Horizontal muffler, vertical exhaust outlet on right hand side			<input type="checkbox"/> C-RO50	Towing coupling Rockinger 50 mm
<input type="checkbox"/> ESV-VERT	Vertical muffler, vertical exhaust outlet on right hand side			<input type="checkbox"/> C-VBG520	Towing coupling VBG 5200D
<input type="checkbox"/> EXST-SSP	Bright polished vertical stainless steel exhaust top pipe			<input type="checkbox"/> C-VBG795	Towing coupling VBG 795V
<input type="checkbox"/> EXST-ST	Aluminized steel vertical exhaust top pipe			<input type="checkbox"/> TOWR-ONE	One rear towing device in frame end cross member
<input type="checkbox"/> WHC-FIX2	Two fixed wheel chocks			<input checked="" type="checkbox"/> TREL-PK	Trailer electrical preparation kit (chassis/cab wiring)
<input checked="" type="checkbox"/> WHC-FOL2	2 foldable wheel chocks			<input type="checkbox"/> TREL15	15 pol electrical trailer connector (ADR certified)
<input checked="" type="checkbox"/> WHCP-F	Wheel chock(s) in the front part of the vehicle. - TRACTOR, BBOX-L, Fold, 1/2 w chocks = Top of left side battery box - TRACTOR, BBOX-EF, Fold, 1/2 w chocks = Top of lefts side fuel tank - TRACTOR, BBOX-EF, Fix, 2 w chocks = Left frame front of fuel tank - RIGID, 1 front axle, Fold, 1/2 w chocks = Top of left side battery box - RIGID, 2 front axles, Fold, Frame free space, 2 wc = Top of left side battery box - RIGID, 2 front axles, Fix, W/o frame free space, 2 wc = Left frame behind 1st front wheel			<input type="checkbox"/> TREL7-7	2x7 pol (24N+24S) electrical trailer connectors (UADR)
<input type="checkbox"/> WHCP-M	Wheel chock(s) in the middle part of the vehicle - TRACTOR, BBOX-L, Fix, 1/2 w chocks = Left frame front of rear wheels - RIGID, 1 front axle, Fix, 1/2 w chocks = Left frame front of (or behind) rear wheels			<input type="checkbox"/> TBC-DUO	Trailer brake connection, Duomatic
<input type="checkbox"/> WHCP-R	Wheel chock(s) in the rear part of the vehicle - RIGID, 1 front axle, Fix, 1/2 w chocks = Left frame rear (or front) of rear wheels			<input type="checkbox"/> TBC-EC	Trailer brake connection, European Community
<input type="checkbox"/> WHCP-T	Transport mounted wheel chock(s) in cab outer luggage compartment			<input type="checkbox"/> TRBR-STA	Stationary trailer brake control
<input type="checkbox"/> CHAIN-S	The non-skid chains are on economical safety accessory that provides good grip owing to its square profile and S-shaped pattern. They are made of micro-alloy manganese steel and have a weight of 21 kg each. Using the chains does not cause any imbalance. They are supplied individually in sacks and spares are supplied with each chain. The variant includes one pair of chains except for all wheel drive 6*6, where two pairs are enclosed			<input type="checkbox"/> TRB-STRE	Automatic low speed trailer brake activation (stretch brake) to avoid jack-knifing and to improve steerability
<input type="checkbox"/> HOOK-SC	The galvanised steel hooks are a practical solution developed to store the snow chains. For Rigid's there are two hooks attached in pre-punched holes on each side of the frame rail side of the rear frame overhang. On Tractors, two hooks are mounted in an existing			<input type="checkbox"/> RFEND-B	The fenders have a robust three-piece design with a top part that can easily be removed (no tools required) facilitating access for body building and service. The fenders are manufactured from black plastic and received in different performance to suit chassis height and tyre dimension. The fender design fulfils the technical requirements of current EU directive. The rear fenders are temporary fixed on the frame of Rigid trucks for transport on own wheels from factory to body builder. This is done in order to fulfill legal safety requirements. There are two different sizes of fenders, one for single tyres and one for twin tyres.
<input checked="" type="checkbox"/> Standard Equipment		<input type="checkbox"/> Optional Equipment		<input type="checkbox"/> RFEND-T	The rear fenders are temporary fixed on the frame of Rigid trucks for transport on own wheels from factory to body builder. This is done in order to fulfill legal safety requirements. There are two different sizes of fenders, one for single tyres and one for twin tyres.
				<input type="checkbox"/> RFH-BAS	Optimal fender installation (rear and 2nd front axle) with regard to legal demands, wheel/tyre sizes, chassis height and fifth wheel height.
				<input type="checkbox"/> RFH-HIG	Highest fender installation (rear and 2nd front axle). Suitable for rough and very rough road conditions.
				<input type="checkbox"/> RFH-LOW	Lower fender installation (rear and 2nd front axle). Suitable only for smooth road conditions. Increased risk of fender top wear.
				<input type="checkbox"/> TL-LED	The LED tail lamp has all functions integrated in the lamp housing: Tail light, exterior marker light, brake light, hazard warning, reverse light, rear fog light and reflector. All light functions have LED (Light Emitting Diode) lights, which means very low energy consumption. LED lamps are insensitive to vibration and have a very long operating life. They shine with the same high intensity throughout their lifetime.
				<input checked="" type="checkbox"/> BLIGHT-E	Flashing brake lights will automatically activate in emergency braking. The flashing frequency is 4 Hz and emergency braking is detected if speed exceeds 50km/h and retardation is 4 m/s ² or more. The function deactivates when retardation is less than 2.5 m/s ² - Easier for road users to detect emergency braking. - Contributes to safety in congested traffic

For more detailed information about cab and powertrain equipment, please refer to separate specification sheets.

For all possible options and combinations of options please consult your Volvo sales contact who can create a specification to match your requirements using the Volvo Sales Support system (VSS).

The factory reserves the right to modify design and change equipment without previous notification. The specification can vary from country to country.

MODEL RANGE

FMX D13 44 Rigid Diesel Rear Air FMX 44R 3A

<input type="checkbox"/> FRACLOS	Frame end closing	<input type="checkbox"/> DRM-E	I-Shift drive mode economy
Rims and Tyres		<input type="checkbox"/> PVT-BAS	Basic topography information, learning by GPS positioning
<input checked="" type="checkbox"/> RT-STEEL	Steel rims on all axles	<input type="checkbox"/> PVT-MAP	Map based topography information using a high resolution commercial topography map
<input type="checkbox"/> SPWT-D	Spare wheel with tyre equal to drive	<input checked="" type="checkbox"/> CRUIS-E	Cruise control I-Cruise with controls in the steering wheel, I-Roll incl. Adding PVT-EXT/-MAP give I-See.
<input type="checkbox"/> SPWT-F	Spare wheel with tyre equal to front wheel	<input type="checkbox"/> CRUIS-E5	I-Torque, fuel economy optimized cruise control (including I-Roll)
<input type="checkbox"/> SWCP-R	Rear mounted spare wheel carrier behind axle on the right hand side of the chassis. It is preferred for longer wheelbases, WB4300 and longer. Due to the spare wheel carrier's location on the rear overhang, all chassis space between front and rear axles can be used for fuel tanks, toolboxes etc.	<input type="checkbox"/> AMSO-AUT	I-shift manual gear shift available in automatic mode incl kickdown function
<input type="checkbox"/> SWCP-T	Plastic strips strapped to the chassis are used as a temporary spare wheel carrier. Note that the mounting only is temporary and used during transportation.	<input type="checkbox"/> AVO-ENH	Enhanced I-shift software for construction and off road applications
<input type="checkbox"/> SWCP-TP	Plastic strips strapped to the chassis are used as a temporary spare wheel carrier. Note that the mounting only is temporary and used during transportation. An ordinary spare wheel carrier is also included. This carrier is transport mounted on top of the temporarily chassis frame strapped spare wheel.	<input type="checkbox"/> APF-ENH	Enhanced I-shift PTO functions (Auto Neutral / Reverse Inhibit / Split Box Connection)
<input checked="" type="checkbox"/> JACK-20T	The hydraulic jack has a capacity of 20 tonnes and its low manual pumping force facilitates use in uncomfortable positions. It has a release valve, which permits safe, easy and precise control over rate of lowering and a filter in the oil reservoir gives protection from contamination. The jack has a minimum height of 190 mm and a maximum height of 325 mm. Weight: 11.5 kg	<input type="checkbox"/> RET-TPT	Retarder for hydraulic gearbox
<input checked="" type="checkbox"/> TOOL-BAS	This kit consists of a tool bag (case) including the following tools: <ul style="list-style-type: none"> • Combination screwdriver. - 1 screwdriver handle - 1 blade, Philips/flat blade - 1 blade, Torx T10/Torx T20 - 1 blade, Torx T25/Torx T27 - 1 blade, Torx T30/Torx T40 • Socket wrench. 	<input type="checkbox"/> TC-HWO	Cooler for hydraulic gearboxes - water/oil
<input type="checkbox"/> TOOLKIT	This kit consists of a tool bag (case) including the following tools: <ul style="list-style-type: none"> • Combination screwdriver. - 1 screwdriver handle - 1 blade, Philips/flat blade - 1 blade, Torx T10/Torx T20 - 1 blade, Torx T25/Torx T27 - 1 blade, Torx T30/Torx T40 • Socket wrench. • Adjustable pliers. • Allen key. • Adjustable spanner. • Hammer. 	<input type="checkbox"/> TC-MAOH2	Extra high performance cooler for manual/I-shift gearboxes - air/oil
<input checked="" type="checkbox"/> INFLAHOS	The tyre inflation hose is a 18 meter long air hose made of high quality rubber and equipped with nozzles on both ends. It can be used for filling air into a tyre by connecting the hose to an air tank valve on the truck. The tyre inflation hose is stored in the cab compartment for clean and easy access, either in the external luggage compartment (sleeper cab) or behind the seat (day cab).	<input checked="" type="checkbox"/> TC-MWOH2	High performance cooler for manual/I-Shift gearboxes - water/oil
<input type="checkbox"/> GAUGE-TP	Tyre pressure gauge	<input type="checkbox"/> 2COM1100	Dual cylinder air compressor 760 cc / 1100 l/min
Powertrain equipment		<input checked="" type="checkbox"/> 2COMP870	Dual cylinder/two stage air compressor - 560 cc
<input type="checkbox"/> TRAP-HD	Reinforced gearbox application. For manual gearboxes a heavy-duty nodular iron range housing. For I-shift gearboxes (2412 excl.) a reinforced gear shifting system.	<input type="checkbox"/> 2COMP900	Dual cylinder air compressor - 636 cc
<input checked="" type="checkbox"/> DRM-BE	I-Shift drive mode balanced economy	<input type="checkbox"/> CLU-AIRC	Air compressor clutch automatically declutched when not needed in order to save fuel
<input checked="" type="checkbox"/> Standard Equipment	<input type="checkbox"/> Optional Equipment	<input checked="" type="checkbox"/> AIRIN-HI	High air intake
		<input type="checkbox"/> AIRIN-LO	Low air intake
		<input type="checkbox"/> ACL1ST-S	Air cleaner with additional filter element (primary + secondary)
		<input checked="" type="checkbox"/> 24A110BL	Alternator 110 Ampere
		<input type="checkbox"/> 24A150BL	Alternator 150 Ampere
		<input type="checkbox"/> 24AL110B	Alternator 110 Ampere
		<input type="checkbox"/> 24AL150B	Alternator 150 Ampere
		<input type="checkbox"/> CCV-C	Closed crankcase ventilation
		<input type="checkbox"/> CCV-O	Open crankcase ventilation
		<input type="checkbox"/> PRIM-EL	An electrical fuel priming pump is available for the D11 and D13 Euro 6 engines. The pump makes it faster and easier to bleed the fuel system in the case of running low on fuel or other problems with the fuel system. The priming pump is included in the fuel filter housing.
		<input checked="" type="checkbox"/> PRIM-MAN	An electrical fuel priming pump is available for the D11 and D13 Euro 6 engines. The pump makes it faster and easier to bleed the fuel system in the case of running low on fuel or other problems with the fuel system. The priming pump is included in the fuel filter housing.
		<input type="checkbox"/> AF-E	Electrically heated fuel filter
		<input type="checkbox"/> AF-R	Hot fuel recirculation heated fuel filter
		<input checked="" type="checkbox"/> EST-AID	Engine start pre-heating element
		<input type="checkbox"/> 220EBH15	Engine block heater, 220 volt, 1.5 kW
		<input type="checkbox"/> PTER-100	Rear engine mounted clutch independent power-take-off with flange connection (DIN 100 / ISO 7646)
		<input type="checkbox"/> PTER-DIN	Rear engine mounted clutch independent PTO with splined shaft groove (female) for a close coupled pump (DIN 5462 / ISO 7653)
		<input type="checkbox"/> PTER1400	Rear engine mounted clutch independent power-take-off with flange connection (SAE 1410 / ISO 7647)
		<input type="checkbox"/> HPE-F101	Rear engine mounted hydraulic pump F1-101, fixed displacement, single flow
		<input type="checkbox"/> HPE-F41	Rear engine mounted hydraulic pump F1-41, fixed displacement, single flow
		<input type="checkbox"/> HPE-F51	Rear engine mounted hydraulic pump F1-51, fixed displacement, single flow
		<input type="checkbox"/> HPE-F61	Rear engine mounted hydraulic pump F1-61, fixed displacement, single flow
		<input type="checkbox"/> HPE-F81	Rear engine mounted hydraulic pump F1-81, fixed displacement, single flow

For more detailed information about cab and powertrain equipment, please refer to separate specification sheets.

For all possible options and combinations of options please consult your Volvo sales contact who can create a specification to match your requirements using the Volvo Sales Support system (VSS).

The factory reserves the right to modify design and change equipment without previous notification. The specification can vary from country to country.

MODEL RANGE

FMX D13 44 Rigid Diesel Rear Air FMX 44R 3A

<ul style="list-style-type: none"> <input type="checkbox"/> HPE-T53 Rear engine mounted hydraulic pump F2-53/53, fixed displacement, twin flow <input type="checkbox"/> HPE-T70 Rear engine mounted hydraulic pump F2-70/35, fixed displacement, twin flow <input type="checkbox"/> HPE-V45 Rear engine mounted hydraulic pump VP1-45, variable displacement, single flow <input type="checkbox"/> HPE-V75 Rear engine mounted hydraulic pump VP1-75, variable displacement, single flow <input type="checkbox"/> PTPT-D Automatic gearbox driven power take-off, 1 front/upper connection (DIN 5462 / ISO 7653) for plug-in pump (max. 850 Nm). <input type="checkbox"/> PTPT-F Automatic gearbox driven Power take-off, 1 front/upper rear facing flange connection (SAE 1410 / ISO 7647) for propeller shaft (max. 850 Nm). <input type="checkbox"/> PTR-D Mechanical gearbox driven low speed power take-off, 1 rear connection (DIN 5462 / ISO 7653) for plug-in pump (max. 1000 Nm). <input type="checkbox"/> PTR-DH Mechanical gearbox driven high speed power take-off, 1 rear connection (DIN 5462 / ISO 7653) for plug-in pump (max. 600 Nm). <input type="checkbox"/> PTR-DM Mechanical gearbox driven medium speed power take-off, 1 rear connection (DIN 5462 / ISO 7653) for plug-in pump (max. 600 Nm). <input type="checkbox"/> PTR-F Mechanical gearbox driven low speed power take-off, 1 rear flange connection (SAE 1410 / ISO 7647) for propeller shaft (max. 1000 Nm). <input type="checkbox"/> PTRD-D Mechanical gearbox driven high speed power take-off, 1 rear and 1 front connections (DIN 5462 / ISO 7653) for plug-in pumps (max. 870 Nm). <input type="checkbox"/> PTRD-D1 Mechanical gearbox driven high speed power take-off, 1 rear flange connection (SAE 1410 / ISO 7647) for propeller shaft / 1 front connection (DIN 5462 / ISO 7653) for plug-in pump (max. 870 Nm). <input type="checkbox"/> PTRD-D2 Mechanical gearbox driven power take-off, 2 rear flange (high-low speed) connections (SAE 1310/1410 / ISO 7647) for propeller shafts / 1 front (high speed) connection (DIN 5462 / ISO 7653) for plug-in pump (max. 870/1000 Nm). <input type="checkbox"/> HPG-F101 Gearbox mounted hydraulic pump F1-101, fixed displacement, single flow <input type="checkbox"/> HPG-F41 Gearbox mounted hydraulic pump F1-41, fixed displacement, single flow <input type="checkbox"/> HPG-F51 Gearbox mounted hydraulic pump F1-51, fixed displacement, single flow <input type="checkbox"/> HPG-F61 Gearbox mounted hydraulic pump F1-61, fixed displacement, single flow <input type="checkbox"/> HPG-F81 Gearbox mounted hydraulic pump F1-81, fixed displacement, single flow 	<ul style="list-style-type: none"> <input type="checkbox"/> ESP-BAS1 Electronic Stability Program package intended for RIGID single vehicles or vehicle combinations with standard centre of gravity height when laden and for TRACTOR vehicle combinations with a single trailer or multiple trailers with ABS/EBS. <input type="checkbox"/> ESPC-RO ESP (Electronic Stability Program) functionality control - Reduced / Off <input type="checkbox"/> HWSS-AC Adaptive cruise control with forward collision warning <input type="checkbox"/> HWSS-ACB Adaptive cruise control with forward collision warning (stationary and moving objects) and emergency braking. Using both radar and camera to collect info. <input type="checkbox"/> HWSS-FCB Forward collision warning (stationary and moving objects) with emergency braking <input type="checkbox"/> LSS-DW Lane keeping support - lane departure warning system <input type="checkbox"/> LCS4 Side Collision Avoidance Support, passenger and driver side <input type="checkbox"/> DAS-W Driver Alert Support (drowsy driver warning) <input type="checkbox"/> RSENS-W Wiper rain sensor <input type="checkbox"/> CU-ECC Fully electrically controlled air conditioning with sun sensor <input type="checkbox"/> CU-ECC2 Fully electrically controlled air conditioning with sun sensor, mist sensor, air quality sensor and carbon filter <input checked="" type="checkbox"/> CU-MCC Electrical manually controlled air conditioning <input checked="" type="checkbox"/> IMMOBIL Immobiliser <input type="checkbox"/> ALARM-E Burglar alarm - cab/body/trailer <input type="checkbox"/> PHONE-PK Telephone preparation kit (antenna, antenna attachment, cable from antenna to radio shelf). <input type="checkbox"/> ISUNS-BS Manually manoeuvred side interior sun visor (roller blind type) on both sides <input checked="" type="checkbox"/> ISUNS-DS Manually manoeuvred side interior sun visor (roller blind type) on driver side <input type="checkbox"/> ISUNF-B Interior front plastic sun visors (driver and passenger side) without mirror on driver side <input type="checkbox"/> ISUNF-MD Interior front plastic sun visors (driver and passenger side) with mirror on driver side <input type="checkbox"/> ISUNF-RE Electrical textile interior sun visor (roller blind) integrated in front shelf <input checked="" type="checkbox"/> ISUNF-RM Manual interior textile sun visor (roller-blind) integrated in front shelf <input type="checkbox"/> ADFS Two extra DIN slots in front shelf (push/pull storage), 165x40x180 mm (WxHxD) <input type="checkbox"/> BUPALARM Reversing warning unit (back-up alarm) <input type="checkbox"/> RTOLL-PK Preparation kit for road toll collect (GPS/GSM antenna and cables) <input type="checkbox"/> LOADIND Load indicator with dashboard display. Measures axle pressures, load weight and total weight of truck and one trailer. <input type="checkbox"/> REMC-MF Wireless remote control - multi functional <input type="checkbox"/> FIREXT2G The fire extinguisher is an important part of the safety equipment. It is extremely reliable, has a high capacity and withstands temperatures down to -30°C. The fire extinguisher manages to extinguish fires in electrical systems and brakes. It is located on the driver side*, beside the seat, which makes it easy to reach in case of an accident. The placement of the fire extinguisher may vary depending on the specification, but it is always easily reachable by the driver. <input type="checkbox"/> FIREXT3S The fire extinguisher is an important part of the safety equipment. It is extremely reliable, has a high capacity and withstands temperatures down to -30°C. The fire extinguisher manages to extinguish fires in electrical
---	--

Cab Interior, Driving

- STWPOS-L** Left hand drive
- STWM-LE** Leather steering wheel
- STGW-AD2** Mechanically adjustable steering wheel with neck tilt
- STGW-ADJ** Mechanically adjustable steering wheel
- AIRBAG** Airbag on driver side
- INST-BAS** 24-HDV - Instrumentation, high performance 12" fully dynamic instrument cluster.
CLASS-HDV - Basic level instrument cluster - 4 inch monochrome display 240x320 pix
- DRC-AMI** Regeneration control of diesel filter particulates - auto initiation / manual on demand / manual inhibition
- DRC-AUTO** Regeneration control of diesel filter particulates - fully automatic (in motion)
- 1DAYDIG2** Gen 2 one day digital tachograph, EC approved
- 1DAYDIG4** Gen 4 one day digital tachograph, EC approved
- ARSL** Additional road speed limiter (switch in dashboard)
The additional road speed limiter allows the driver to define a temporary speed limit for the truck. This is a useful feature when entering a low-speed area.
The driver activates the additional speed limiter by pressing a switch on

Standard Equipment Optional Equipment

For more detailed information about cab and powertrain equipment, please refer to separate specification sheets.

For all possible options and combinations of options please consult your Volvo sales contact who can create a specification to match your requirements using the Volvo Sales Support system (VSS).

The factory reserves the right to modify design and change equipment without previous notification. The specification can vary from country to country.

MODEL RANGE

FMX D13 44 Rigid Diesel Rear Air FMX 44R 3A

	systems and brakes. It is located on the driver side*, beside the seat, which makes it easy to reach in case of an accident. The placement of the fire extinguisher may vary depending on the specification, but it is always easily reachable by the driver.	<input type="checkbox"/> PST-BAS1 Passenger seat, basic, non suspended <input type="checkbox"/> PST-CF4 Passenger seat, comfort, suspended, belt in seat <input type="checkbox"/> PST-CF5 Passenger seat, comfort, suspended, belt in seat, electrically heated <input checked="" type="checkbox"/> PST-STD2 Passenger seat, regular, non suspended <input type="checkbox"/> PST-STD4 Passenger seat, regular, suspended <input type="checkbox"/> SBPRE-PS Passenger seat belt pretensioner <input type="checkbox"/> ARMRE-BB Two armrests on both driver and passenger seats <input type="checkbox"/> ARMRE-DB Two armrests on driver seat <input type="checkbox"/> ARMRE-PB Two armrests on passenger seat <input type="checkbox"/> ARU-BAS Vinyl armrest upholstery <input type="checkbox"/> ARU-LEA Leather armrest upholstery <input checked="" type="checkbox"/> FMAT-RUB Two black rubber floor mats <input type="checkbox"/> FMAT-TX2 Two textile (dark grey on FH/FM, black on FH16) and two black rubber floor mats
<input type="checkbox"/> WARNVEST	The reflective vest makes a person clearly visible during work near a vehicle when it is dark or during other occasions when it is difficult to observe a person. It is made of yellow fluorescent textile, 100 % polyester, and it features two 50 mm wide reflective strips at the front and back. The reflective material is resistant to fuel and oil and works well in both wet and dry weather. The vest is stored in a plastic bag and it is washable at 40°C. Fulfils European standard according to EN 471 class 2.	<input type="checkbox"/> LBK70 Lower fixed bunk, not foldable - 2000x700 mm. Safety net included. <input type="checkbox"/> MATL-FI Mattress lower bunk - firm for over approx. 100 kg, pocket springs. <input type="checkbox"/> MATL-SF Mattress lower bunk - semi-firm up to approx 100 kg, pocket springs. <input type="checkbox"/> OLMAT-BA Overlay mattress protector, 28 mm thick black textile <input type="checkbox"/> OLMAT-PR Overlay mattress protector, 35 mm thick black textile <input type="checkbox"/> TBK60F Fixed top bunk 600x1900 mm, foldable up to 52 degrees to rear wall (depending on cab version and upper storage). Safety net included. <input type="checkbox"/> TBK70F Fixed top bunk 700x1900 mm, foldable up to 52 degrees to rear wall (depending on cab version and upper storage). Safety net included. <input type="checkbox"/> PH-CAB2 Cab parking heater, 2 kW <input type="checkbox"/> PH-ENGCA Engine and cab parking heater <input type="checkbox"/> PH-SS Short stop heater <input type="checkbox"/> SLCP-BAS Basic sleeper control panel (controlling interior light, parking heater, roof hatch and door lock) <input type="checkbox"/> ETSB-F Storage on engine tunnel - on front top <input type="checkbox"/> ETSB-FR Storage on engine tunnel - on front top and at rear cab wall <input type="checkbox"/> ETSB-FRS Storage on engine tunnel - on front top & at rear cab wall & storage immersed into tunnel on RH side <input type="checkbox"/> ETSB-FS Storage on engine tunnel - on front top and storage immersed into tunnel on right hand side <input type="checkbox"/> ETSB-R Fixed engine tunnel storage box at rear cab wall <input type="checkbox"/> ETSB-RS Storage on engine tunnel - at rear cab wall and storage immersed into tunnel on right hand side <input type="checkbox"/> ETSB-S Storage on engine tunnel - immersed into tunnel on right hand side <input type="checkbox"/> RUS-BAS Rear cab upper storage 154 litres (300 mm high) <input type="checkbox"/> RUS-HIG Rear cab upper storage 245 litres (440 mm high) <input type="checkbox"/> REF-ICPK The kit consists of a bracket that is mounted on the engine tunnel and a hook that is mounted on the refrigerator side in order to strap it down to the bracket. The kit comes with all necessary equipment for installation of both the bracket and the refrigerator.
<input checked="" type="checkbox"/> WARNTRI2	Warning triangles are an important safety detail. They offer extra security in the event of an unplanned stop at the roadside, when they alert other road users to be careful and slow down in the area. Two triangles give the opportunity to observe vehicles in both direction, one to be positioned ahead of the truck and the second one behind. The two triangles are delivered in the tool box behind left seat, stripes for tool bag or on the left shelf luggage compartment	<input type="checkbox"/> ETSB-FS Storage on engine tunnel - on front top and storage immersed into tunnel on right hand side <input type="checkbox"/> ETSB-R Fixed engine tunnel storage box at rear cab wall <input type="checkbox"/> ETSB-RS Storage on engine tunnel - at rear cab wall and storage immersed into tunnel on right hand side <input type="checkbox"/> ETSB-S Storage on engine tunnel - immersed into tunnel on right hand side <input type="checkbox"/> RUS-BAS Rear cab upper storage 154 litres (300 mm high) <input type="checkbox"/> RUS-HIG Rear cab upper storage 245 litres (440 mm high) <input type="checkbox"/> REF-ICPK The kit consists of a bracket that is mounted on the engine tunnel and a hook that is mounted on the refrigerator side in order to strap it down to the bracket. The kit comes with all necessary equipment for installation of both the bracket and the refrigerator.
<input checked="" type="checkbox"/> AIDKIT	The first-aid kit features a well thought-out assortment of emergency treatment products for both minor and severe injuries: <ul style="list-style-type: none"> • 1 first-aid instruction • 1 pair of scissors • 2 triangular bandage, unbleached cotton cloth • 2 pairs of protective gloves (large) • 3 gauze bandages 80x4000 mm • 2 gauze bandages 60x4000 mm • 1 bandaging cloth 600x800 mm • 2 bandaging cloths 400x600 mm • 6 gauze dressings 100x100 mm (3x2) • 1 adhesive bandage 60x100 mm • 1 adhesive tape 25x5000 mm • 1 first-aid packet 100x120 mm • 3 first-aid packets 80x100 mm • 1 rescue sheet 1600x2100 mm (gold/silver) 	<input type="checkbox"/> MICRO-PK The front shelf above the passenger seat is prepared from factory with prerouted electrical cables for installation of a 24 V microwave oven. Cables for power supply and ground connections are included. <input type="checkbox"/> BOTH-D One 1.5 litre plastic soft-drink bottle holder under dashboard centre section <input type="checkbox"/> COFMA-PK Preparation kit (24V) for coffee maker <input checked="" type="checkbox"/> INLI-BAS Interior white light with smooth light transition at on/off, no dimming <input type="checkbox"/> INLI-NL Interior white and red (night) light with smooth light transition at on/off <input type="checkbox"/> INLI-NLD Interior white and red (night) light with smooth light transition at on/off and dimmer
<input type="checkbox"/> AIDKIT1B	First aid kit containing sticking plaster, compresses, elastic bandages, gloves, scissors, triangular bandage, bandaging cloths, adhesive tape and rescue sheet (German requirements)	
<input type="checkbox"/> WARNLAMP	Portable warning lamp with batteries	
<input type="checkbox"/> LAMP-IN	The inspection lamp is a device that is used to illuminate repairing areas during night or when the day light is not enough. It has a plug for connection into the lighter socket. The length of the electrical cable is 10 meters. The lamp is stored in a storage compartment on driver	
<input type="checkbox"/> BULBKIT	Bulb and fuse kit	
<input type="checkbox"/> WRITEPAD	Writing pad with spring-loaded paper clip	
Cab Interior, Living		
<input checked="" type="checkbox"/> DST-CF1	Driver seat, comfort, suspended	
<input type="checkbox"/> DST-CF4	Driver seat, comfort, suspended, belt in seat	
<input type="checkbox"/> DST-CF5	Driver seat, comfort, suspended, belt in seat, electrically heated	
<input type="checkbox"/> DST-CF6	Driver seat, comfort, suspended, belt in seat, electrically heated, ventilated	
<input type="checkbox"/> SBD-RED	A three-point safety belt is the most effective system to reduce the risk of injuries in a traffic accident. The belts keep the driver and the passenger in position and catch the body in the best possible way in case of a collision. The red coloured safety belt improves and increases the safety image for transport companies, when it thanks to the clear colour is noticed and thereby distributes good reputation.	
<input type="checkbox"/> SBPRE-DS	Driver seat belt pretensioner	

■ Standard Equipment

□ Optional Equipment

For more detailed information about cab and powertrain equipment, please refer to separate specification sheets.

For all possible options and combinations of options please consult your Volvo sales contact who can create a specification to match your requirements using the Volvo Sales Support system (VSS).

The factory reserves the right to modify design and change equipment without previous notification. The specification can vary from country to country.

MODEL RANGE

FMX D13 44 Rigid Diesel Rear Air FMX 44R 3A

<ul style="list-style-type: none"> <input type="checkbox"/> ARL-FLEX Two (driver and passenger side) reading lamps with flexible arms (snake lamps) and led lamps fitted on side walls ■ RH-EE Without roof hatch, sky window / emergency exit (tinted glass) <input type="checkbox"/> RH-ER Roof hatch - Electrically operated / steel / emergency exit handle <input type="checkbox"/> RH-ETR Roof hatch - Electrically operated / Tinted glass / Rear opening <input type="checkbox"/> RH-MTR Roof hatch - Manually operated / Tinted glass / Rear opening ■ GLAS-TIN Tinted windows (front/side/rear) <input type="checkbox"/> SWIND-BS Extra side window on both sides <input type="checkbox"/> SWIND-PS Rear side window on passenger side <input type="checkbox"/> AWIND-RF Rear fixed window (without curtains) <input type="checkbox"/> VANMIR Vanity mirror in front shelf lid. In sleeper cab on passenger side and in high/extra high cabs in middle section of the front shelf. <input type="checkbox"/> AS-FUS One extra shelf in each of the two front upper storage compartments. Only 1 shelf if microwave oven mounted in one of the two compartments. <input type="checkbox"/> INFOT-PK Preparation kit (bracket, security straps, power cable, antenna cable and aux cable) for mounting of a television above driver door. 	<ul style="list-style-type: none"> <input type="checkbox"/> AD-SIDES Short cab side air deflectors ■ HL-BASIC Halogen H7 head lamps <input type="checkbox"/> HL-CLEAN The headlamp cleaner is a high-pressure washer unit with nozzles integrated at the side of the headlamp. It works during high- or low beam and it is activated when the windscreen wiper switch is turned on. The cleaner mainly cleans high- and low beam area <input type="checkbox"/> HLP-ST Steel headlamp protection <input type="checkbox"/> HL-ADJ The headlamp adjustment control is used to change the height of the light beam. If there is a big difference between the chassis inclination angle when loaded and unloaded, this optional feature can be operated to avoid dazzling other road users. The function is not needed when chassis height is adjusted via the air suspension system height control. ■ DRL-LED V-shaped ("V-light") day running light (LED). Turned on low beam gives a dimmed "V-light". <input type="checkbox"/> ASL-RF2 Two Hella H11 70W spot lamps in sign box (one on each side of the Globetrotter sign) <input type="checkbox"/> BEACOA2F Two LED warning lights on the cab front <input type="checkbox"/> BEACOA2R Two LED warning lights on the cab rear <input type="checkbox"/> BEACON-P Preparation kit <input type="checkbox"/> BEACONA4 Four LED warning lights on the cab front-rear <input type="checkbox"/> CABPT-R1 One front cab roof pass through on passenger side ■ CABPT-R2 Two front cab roof pass throughs, one on each side <input type="checkbox"/> SPOTP-F Spotlamp preparation in cab front, max 280W <input type="checkbox"/> SPOTP-R Spotlamp preparation on cab roof, max 280W <input type="checkbox"/> SPOTP-RF Spotlamp preparation on cab roof and in cab front, max 2x280W <input type="checkbox"/> ROS-IL Illuminated roof sign with switch in radio shelf. Switch for turning on/off. <input type="checkbox"/> ROS-IL2 Preparation kit for installing an illuminated roof sign*. It includes a prerouted cable harness, a switch and LED-lamps. The switch is connected in the radio shelf middle section. Switch cap with icon, are enclosed in cab. Lamps in sign are mounted. The stripe in the Globetrotter window is selected via the cab sign variants <input type="checkbox"/> ROS-ILP Wiring preparation kit (wires and switch) for cab sign or roof air deflector illumination <input type="checkbox"/> CSGN-FMX FMX decal in the cab roof sign area ■ HORN-F1S One front mounted (behind grille) single tone air horn, Jericho. Operated by steering wheel buttons. <input type="checkbox"/> HORN-R2S Two roof mounted single tone chromed air horns. Operated by steering wheel buttons. <input type="checkbox"/> ANT-CBR Right hand side roof mounted foldable antenna and cables for CB radio, single aerial. <input type="checkbox"/> ACCBR-AP Front, middle & rear roof mounted accessory brackets <input type="checkbox"/> ACCBR-F Front roof mounted accessory bracket <input type="checkbox"/> ACCBR-FM Front & middle roof mounted accessory brackets <input type="checkbox"/> ACCBR-FR Front & rear roof mounted accessory brackets <input type="checkbox"/> ACCBR-M Middle roof mounted accessory bracket <input type="checkbox"/> ACCBR-R Rear roof mounted accessory bracket <input type="checkbox"/> ACCBR-RM Rear & middle roof mounted accessory brackets <input type="checkbox"/> REFS-TW Reflecting white cab side stripes by-packed in cab <input type="checkbox"/> REFS-TY Reflecting yellow cab side stripes by-packed in cab
<h3>Cab Exterior</h3>	
<ul style="list-style-type: none"> ■ EXTL-BAS NEW-HDV: Exterior trim level basic CLASS-HDV: Basic exterior finish in a lightning grey colour of cab surrounding parts (mirror housings, insteps, bumper and if fitted bumper spoiler and sun visor). If fitted roof air deflector, side air deflector and chassis fairings are always painted in cab colour. ■ DGLAS-H Tempered door glass <input type="checkbox"/> DGLAS-L Laminated door glass. A laminated safety glass can crack, but retains its protective effect for much longer. This means reduced risk of injury in case of an accident. This glass also provides better sound insulation. The laminated door glass is tinted and has a water repellent treatment. <input type="checkbox"/> LOCK-REM Central door locking with remote control ■ BUMP-HD Heavy duty front bumper <input type="checkbox"/> AUXFS Extra cab side foot-step <input type="checkbox"/> GUARD-EH Guard plate for cooling pipes and oil sump <input type="checkbox"/> SIDEH-B Guide rail on day cab driver side <input type="checkbox"/> SIDSTP-R Side ladder and guide rail on on day cab driver side ■ BUGNET Radiator screen / Mosquito net (PVC coated fibreglass) in front of radiator <input type="checkbox"/> CTILT-P-E Electrical cab tilt pump ■ CTILT-P-M Manual cab tilt pump <input type="checkbox"/> FCABS-A Air front cab suspension ■ FCABS-M Mechanical cab suspension <input type="checkbox"/> RCABS-A Air rear cab suspension ■ RCABS-M Mechanical rear cab suspension <input type="checkbox"/> MIRCFCPX Electrically heated and operated rear view mirrors with a wide angle section on both sides and kerb observation mirror on the passenger side. Passenger corner camera in the mirror bracket at the passenger side. ■ MIRCOMFX EI heated & operated robust main rear view mirrors, electrically heated wide angle mirrors (both sides). Close view mirror on passenger side. ■ AMIR-F20 Front close view mirror above windscreen, passenger side (radius 200 mm) <input type="checkbox"/> SUNV-H Exterior transparent dark grey front sun visor <input type="checkbox"/> AD-ROOF Roof air deflector. Design (length, height etc.) automatically calculated and varies depending on vehicle total height (chassis height, cab type, tyres etc). 	<ul style="list-style-type: none"> ■ SRWL-PK Wiring preparation for chassis mounted working lamps and a 3-position switch (On/Off/Reverse auto on). <input type="checkbox"/> SWL-2FW Two white front chassis-mounted (LH/RH side) LED working lamps and a 2-position switch (On/Off). <input type="checkbox"/> SWL-2RW Two white rear chassis-mounted (LH/RH side) LED working lamps and a 2-position switch (On/Off). <input type="checkbox"/> SWL-4W Four white front (2) and rear (2) chassismounted (LH/RH side) LED working lamps and a 2-position switch (On/Off).
<ul style="list-style-type: none"> ■ Standard Equipment <input type="checkbox"/> Optional Equipment 	

Superstructure preparations

For more detailed information about cab and powertrain equipment, please refer to separate specification sheets.

For all possible options and combinations of options please consult your Volvo sales contact who can create a specification to match your requirements using the Volvo Sales Support system (VSS).

The factory reserves the right to modify design and change equipment without previous notification. The specification can vary from country to country.

MODEL RANGE

FMX D13 44 Rigid Diesel Rear Air FMX 44R 3A

<ul style="list-style-type: none"> <input type="checkbox"/> SWL-PK Wiring preparation for chassis mounted working lamps and a 2-position switch (On/Off). <input type="checkbox"/> WL-CHPK Preparation kit (switch and cable) for working lamp, max 2x70 W. Connector on chassis at gearbox. <input type="checkbox"/> WLC-H2A Two H3/70W working lamps with amber coloured lens high mounted back of cab (switch incl). <input type="checkbox"/> WLC-H2W Two H3/70W working lamps, white lens high mounted back of cab (switch incl). <input type="checkbox"/> WLC-PKCH Preparation kit (cables and switch) for cab mounted chassis working lamp. Max load 280W. <input type="checkbox"/> WLC-PKH Preparation kit (cables and switch) for high mounted working lamps back of cab (pass through in cab rear roof included). Max load 280W. <input type="checkbox"/> WLC-PKL Preparation kit (cables and switch) for low mounted working lamps back of cab (pass through in cab rear wall included). Max load 280W. <input type="checkbox"/> WLC-PKLH Preparation kit (cables and switch) for low and high mounted working lamps back of cab (pass throughs in rear wall and rear roof included). Max load 280W. <input type="checkbox"/> ECBB-BAS Body builder electrical centre without any body builder module <input type="checkbox"/> ECBB-HIG Body builder electrical centre with cab body builder module, 14 high and 4 low dig. outlet <input checked="" type="checkbox"/> ECBB-MED Body builder electrical centre with cab body builder module, 7 high and 4 low dig. outlet <input type="checkbox"/> BBCHAS1 One 7-pole connector for Body builder interface. Wiring harness routed from the bodybuilder electrical distribution box inside the cab to a connection point inside the right frame rail beside the gearbox. <input type="checkbox"/> BBCHAS3 Three 7-pole connectors for Body builder interface. Wiring harness routed from the bodybuilder electrical distribution box inside the cab to a connection point inside the right frame rail beside the gearbox. <input type="checkbox"/> BEPR-T2 Body builder electrical software preparation for tipper with remote control <input type="checkbox"/> TD-BAS Trailer detection without LED sensor <input checked="" type="checkbox"/> TD-LED Trailer detection with LED sensor <input type="checkbox"/> FRFS-BS Frame rail free space on both sides to give space for crane legs or other equipment. One front axle with day cab: 515/507 mm (L/R side). One front axle with long cab: 288/360 mm (L/R side). Two front axles with short cab: 632/572 mm (L/R side). Two front axles with long cab: 405/485 mm (L/R side). <input type="checkbox"/> FBA-BTF Lower front body attachments for torsionally flexible platform body <input type="checkbox"/> FBA-BTSF Lower front body attachments for torsionally semi-flexible body (van or curtainsider) <input type="checkbox"/> HBA-FSFB Holes for body attachments, flexible/semi-flexible body <input type="checkbox"/> HBA-SB Holes for body attachments, stiff body <input type="checkbox"/> RBA-T2 Lower rear body attachments for helper frame <input type="checkbox"/> AUXL-SPK Electrical preparation kit (wiring and a switch in dashboard) for snow plough lights. Preparation for installation of additional headlights and additional turning indicators. <input type="checkbox"/> TAILPRE2 Tail lift preparation kit, wireless remote operation <input type="checkbox"/> TAILPREP Tail lift preparation kit, wire remote operation <input type="checkbox"/> AESW2 Two Body builder bistable electrical switches (marked AUX1 / AUX2) <input type="checkbox"/> AESW2PK Two Body builder bistable electrical switches (marked AUX1/AUX2) and in an empty 4-group preparation another four bistable switches with dummy switch caps <input type="checkbox"/> AUXSW-4 Wiring for 4 extra hardwired switches (from Body builder electrical centre to switch positions) 	<ul style="list-style-type: none"> <input type="checkbox"/> DRUT1 My Truck connects the vehicle to the smartphone app, 1 year prepaid subscription <input type="checkbox"/> DRUT2 My Truck connects the vehicle to the smartphone app, 2 year prepaid subscription <input type="checkbox"/> DRUT3 My Truck connects the vehicle to the smartphone app, 3 year prepaid subscription <input type="checkbox"/> DRUT4 My Truck connects the vehicle to the smartphone app, 4 year prepaid subscription <input type="checkbox"/> DRUT5 My Truck connects the vehicle to the smartphone app, 5 year prepaid subscription
--	--

Services

- TGW-4GWL** Telematics gateway with 4G modem
- FMS-PK** Fleet Management System gateway, preparation kit

Standard Equipment Optional Equipment

For more detailed information about cab and powertrain equipment, please refer to separate specification sheets.

For all possible options and combinations of options please consult your Volvo sales contact who can create a specification to match your requirements using the Volvo Sales Support system (VSS).

The factory reserves the right to modify design and change equipment without previous notification. The specification can vary from country to country.

MODEL RANGE

FMX D13 44 Rigid Diesel Rear Air FMX 44R 3A

Volvo Trucks. Driving Progress