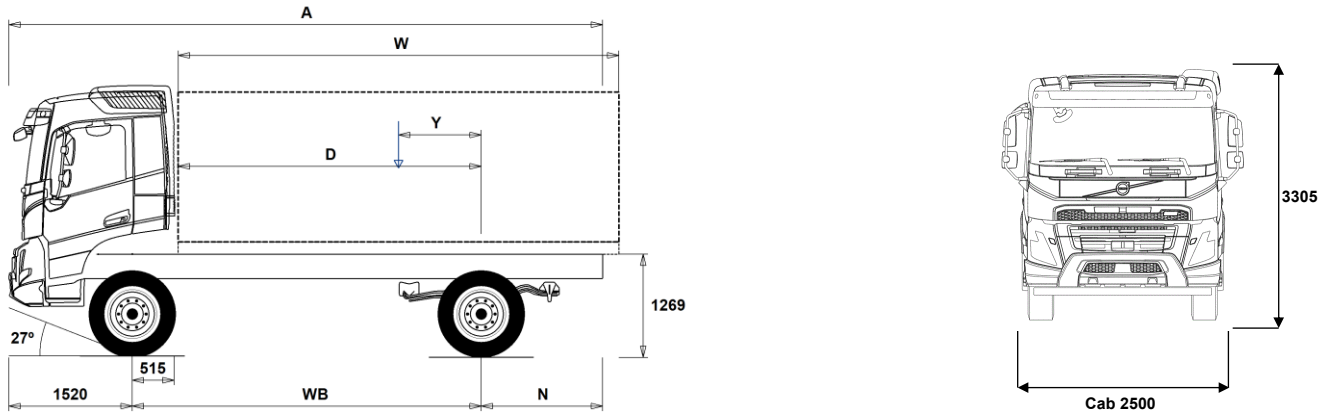


MODEL RANGE

FMX D11 44 Rigid Diesel Rear Leaf FMX 44R 1L



Chassis Dimensions [mm]

WB Wheelbase	3700	4000	4300	4600	4900
A Overall Chassis Length	7265	7715	8165	8665	9115
D Center of rear axle to front of body	3135	3435	3735	4035	4335
N Rear Overhang (Min.)	1395	1395	1395	1395	1395
N Rear Overhang (Max.)	2045	2195	2345	2545	2695
Y Center of Gravity for Payload (Min.)	432	464	493	526	557
Y Center of Gravity for Payload (Max.)	432	464	493	526	557
W Body Length (Min.)	5404	5939	6482	7016	7553
W Body Length (Max.)	5404	5939	6482	7016	7553

Chassis Weights [kg]

Front Axle	4970	4980	5000	5005	5015
Rear Axle	2215	2250	2285	2315	2335
Kerb Weight	7185	7230	7285	7320	7350
Payload (including body, driver, fuel, etc.)	8815	8770	8715	8680	8650

Turning Diameter [mm]

Turning Circle Diameter Kerb to Kerb	14200	15200	16100	17100	18100
Turning Circle Diameter Wall to Wall	15600	16600	17500	18500	19500

Plated Weights [kg]

	Plated	Design
Gross Vehicle Weight	16000	21000
Gross Combination Weight	0	40000
Front Axle	6000	8000
Rear Axle	10000	13000

Important Notes

Chassis Dimensions

Cab Height: +328 mm for CAB-HSLP, -262 mm for CAB-LDAY, -262 mm for CAB-LSLP, +16 mm for CAB-SLP.
 Front Axle to Back of Cab: +431 mm for CAB-HSLP and CAB-SLP, -69 mm for CAB-LDAY, +425 mm for CAB-LSLP.
 D-measure includes a front clearance of 50 mm and for rigid trucks also a subframe of 100 mm.
 Height can vary ± 20 mm for leaf and ± 10 mm for air suspension.
 All dimensions are for unladen chassis and any tag axles down.
 Rear overhang used for vehicle weight calculation is the maximum rear overhang (N Max.) for selected wheelbase.

Weight and dimensions are based upon the following tyres:
 Front Axle Tyres: 315/80R22.5
 Drive Axle Tyres: 315/80R22.5

Chassis weight includes oil, water, AdBlue, 0 litres fuel and without driver. Kerb weight can vary ± 3%.

Turning diameters are theoretically calculated.

Legal weights can differ from country to country.

For more detailed weight information, including optional equipment weights, ask your Volvo sales contact to enter your specification into the Volvo Weight Information system (WIS).

Do NOT use this drawing for bodybuilding. Refer to Volvo Bodybuilder Instructions and chassis assembly drawing FMX44R1L.

MODEL RANGE

FMX D11 44 Rigid Diesel Rear Leaf FMX 44R 1L

Transport operation

- **RC-ROUGH** Rough road conditions: frequent driving on poorly maintained surfaced roads, hard-packed sand or gravel, or other surfaces of good or bad quality.
- **RC-VROUG** Very rough road conditions: more than 5% of the driven distance is on extremely poor roads or off-road.
- **UNIFORM** Basic platform vehicle

Core components

- **CDCOPREP** Preparation kit for day cab cut-out (free text CA needed)
- **FMX-CREW** FMX crew cab (free-text CA needed)
- **FMX-DAY6** FMX day cab
- **FMX-HSL6** FMX Globetrotter, high sleeper cab
- **FMX-LDA6** FMX low day cab
- **FMX-LSL6** FMX low sleeper cab
- **FMX-SLP6** FMX sleeper cab
- **EU3** Euro 3 emission level
- **EU4SCR** Euro 4 with Selective Catalytic Reduction (SCR)
- **EU5SCR-M** Euro 5 with Selective Catalytic Reduction (SCR)
- **EU6SCR** Euro 6 with SCR, particulate filter and EGR, Turbo-S
- **D11S330A** Diesel engine, Euro 6, 10.8 litres, 330 hp/246 kW, 1600 Nm
- **D11S380A** Diesel engine, Euro 6, 10.8 litres, 380 hp/279 kW, 1800 Nm
- **D11S430A** Diesel engine, Euro 6, 10.8 litres, 430 hp/317 kW, 2050 Nm
- **D11S460A** Diesel engine, Euro 6, 10.8 litres, 460 hp/338 kW, 2200 Nm
- **D11A330** Diesel engine, Euro 3, 10.8 litres, 330 hp/243 kW, 1600 Nm
- **D11A370** Diesel engine, Euro 3, 10.8 litres, 370 hp/273 kW, 1770 Nm
- **D11A430** Diesel engine, Euro 3, 10.8 litres, 430 hp/317 kW, 1970 Nm
- **D11C330** Diesel engine, Euro 4/5, 10.8 litres, 330 hp/243 kW, 1600 Nm
- **D11C370** Diesel engine, Euro 4/5, 10.8 litres, 370 hp/273 kW, 1750 Nm
- **D11C410** Diesel engine, Euro 4/5, 10.8 litres, 410 hp/302 kW, 1950 Nm
- **D11C450** Diesel engine, Euro 4/5, 10.8 litres, 450 hp/332 kW, 2150 Nm
- **D11K330** Diesel engine, Euro 6, 10.8 litres, 330 hp/243 kW
- **D11K380** Diesel engine, Euro 6, 10.8 litres, 380 hp/280 kW
- **D11K430** Diesel engine, Euro 6, 10.8 litres, 430 hp/317 kW
- **EBR-EPG** Engine brake with exhaust pressure governor
- **EBR-EPGC** Exhaust pressure governor with Volvo compression brake
- **EBR-VEB** Volvo Engine Brake, VEB (compression brake with exhaust pressure governor, EPG)
- **AT2612** I-Shift automated 12-speed gearbox, 2600 Nm
- **ATO2612** I-Shift automated 12-speed gearbox with overdrive, 2600 Nm
- **PT2106** Powertronic 6-speed powershift gearbox, 2100 Nm
- **RSH1365** Rear hub reduction solo axle - axle load 13 tonnes, GCW 65 tonnes

Packages

- **INFOBASE** Information package, basic (without side display)
- **INFOHIGH** Information package, high (with side display)

Chassis

- **FST-PAR3** Three-leaf front parabolic springs (stiffer than normal)
- **FAL10.0** Front axle load 10.0 tonnes
- **FAL8.0** Front axle load 8.0 tonnes
- **FAL9.0** Front axle load 9.0 tonnes
- **FSTAB** Front anti-roll bar, normal stiffness
- **RAL13** Rear axle load 13 tonnes
- **RSTAB1** Rear anti-roll bar, normal stiffness
- **PSP-FIX** Power steering pump with fixed displacement
- **PSP-VAR** Power steering pump with variable displacement
- **EBS-MED** EBS (Electronic Braking System), Medium package
- **EBS-STD** EBS (Electronic Braking System), Standard package
- **AUXPARK** Extra parking brake on one axle
- **RST-MUL** Rear multi-leaf springs
- **RST-PAR5** Rear parabolic leaf springs
- **FST8080** Frame thickness - web 8.0 mm / flange 8.0 mm
- **FIL-EEEB** Frame inner liner from end of engine to end of bogie

- **FIL-EEEF** Frame inner liner from end of engine to end of frame
- **FIL-TXEB** Frame inner liner from transmission cross member to end of bogie
- **FIL-TXEF** Frame inner liner from transmission cross member to end of frame
- **BBOX-L** Battery box on left-hand side
- **2BAT210C** AGM batteries, 2x210 Ah
- **2BATT170** Batteries, 2x170 Ah
- **2BATT225** Batteries, 2x225 Ah
- **BATTAMP** Battery voltmeter and ammeter
- **BATTIND** Battery voltmeter, ammeter and battery status gauge with visual alerts
- **MSWI-C** Main switch on chassis
- **MSWI-R** Key remote controlled main switch
- **R315A56** Right 315-litre, D-shaped aluminium fuel tank, 560 mm high
Min volume 255l
Max volume 630l
- **ADTP-L** AdBlue tank on left hand side
- **ADTP-R** AdBlue tank on right hand side
- **ADB048** AdBlue tank: usable volume 48 litres, 560 mm high, mounted on chassis side
- **ADB064** AdBlue tank: usable volume 64 litres, 710 mm high, mounted on chassis side
- **ADB068** AdBlue tank: usable volume 68 litres, 560 mm high, mounted on chassis side
- **ADB083** AdBlue tank: usable volume 83 litres, 560 mm high, mounted on chassis side
- **ADB090** AdBlue tank: usable volume 90 litres, 710 mm high, mounted on chassis side
- **ADB112** AdBlue tank: usable volume 112 litres, 710 mm high, mounted on chassis side
- **FCAP-L** Lockable diesel and AdBlue filler caps
- **FUFF-AS** Fuel filling anti-spillage device
- **FUFF-ATS** Fuel filling anti-theft and anti-spillage device
- **ESH-REAR** Horizontal silencer, rear exhaust outlet
- **ESH-VERT** Horizontal silencer, vertical exhaust outlet on right-hand side
- **ESV-VERT** Vertical silencer, vertical exhaust outlet on right-hand side
- **EXST-SSP** Vertical exhaust top pipe, bright polished stainless steel
- **EXST-ST** Vertical exhaust top pipe, aluminised steel
- **WHC-FIX1** One non-collapsible wheel chock
- **WHC-FIX2** Two non-collapsible wheel chocks
- **WHC-FOL1** One collapsible wheel chock
- **WHC-FOL2** Two collapsible wheel chocks
- **WHCP-F** Wheel chock holder in the front part of the vehicle
- **WHCP-M** Wheel chock holder in the middle part of the vehicle
- **WHCP-R** Wheel chock holder in the rear part of the vehicle
- **WHCP-T** Wheel chock holder by-packed in cab outer luggage compartment
- **TB-L80** Tool box on left-hand side, 205-litre - width 730 mm, height 590, depth 595 mm
- **TB-R80** Tool box on right-hand side, 205-litre - width 730 mm, height 590, depth 595 mm
- **CHAIN-S** Snow chains
- **HOOK-SC** Snow chain hooks
- **TOWF-HD1** One heavy-duty front towing device
- **TOWMBRH** Towing member, high-mounted in centre of frame
- **TOWMBRL1** Towing member, low-mounted under frame
- **TOWMBRM** Towing member, medium-mounted in line with lower frame flange
- **RFEC-S** Straight-cut rear frame end
- **RFEC-U** Upper corner cut on rear frame end (for e.g. tipper, refuse and hook lift applications)
- **C-RI4040** Coupling Ringfeder 4040A G-150
- **C-RI4045** Coupling Ringfeder 4045A G-150

- Standard Equipment
- Optional Equipment

For more detailed information about cab and powertrain equipment, please refer to separate specification sheets.

For all possible options and combinations of options please consult your Volvo sales contact who can create a specification to match your requirements using the Volvo Sales Support system (VSS).

The factory reserves the right to modify design and change equipment without previous notification. The specification can vary from country to country.

MODEL RANGE

FMX D11 44 Rigid Diesel Rear Leaf FMX 44R 1L

- C-RI5050** Coupling Ringfeder 5050A G-150
 - C-RO400G** Coupling Rockinger 400 G-150
 - C-RO50** Coupling Rockinger 50 mm
 - C-VBG520** Coupling VBG 5200D
 - C-VBG795** Coupling VBG 795V
 - TOWR-ONE** Brace that can be used for towing in specific situations. The brace is mounted on the end cross member, and if the end cross member is thinner than 8 mm, it will be reinforced. The brace includes a lockable pin and is dimensioned for a 3-tonne centre-axle trailer or a 10-tonne articulated drawbar trailer. It may only be used for short-distance, on-site transport in confined areas and at speeds of a maximum of 30 km/h.
 - TREL-PK** Trailer electrical preparation kit (chassis/cab wiring)
 - TREL14** 14-pin trailer connection
 - TREL15** 15-pin trailer connection (ADR certified)
 - TREL7** 7-pin trailer connection (ISO 24N)
 - TREL7-7** 2x7-pin trailer connection (ISO 24N+24S, non-ADR)
 - TBC-EC** Trailer brake connection, European Community
 - TRBR-HCF** Full-pressure, hand-controlled trailer brake check (8 bar)
 - TRBR-HCR** Reduced-pressure, hand-controlled trailer brake check (4 bar)
 - TRBR-STA** Stationary trailer brake check
 - TRB-STRE** Stretch brake, trailer brake activation at low speeds to avoid jack-knifing and improve stability
 - RFEND-T** Transport mudguard
 - RFH-BAS** Basic mudguard installation height on 2nd front axle and rear axles
 - RFH-HIG** High mudguard installation height on 2nd front axle and rear axles
 - RFH-LOW** Low mudguard installation height on 2nd front axle and rear axles
 - TL-LED** LED tail lamps (tail light, exterior marker light, brake light, hazard warning light, reverse light, rear fog light, licence plate light and reflector)
 - BLIGHT-E** Flashing brake lights will automatically activate in emergency braking. The flashing frequency is 4 Hz and emergency braking is detected if speed exceeds 50 km/h and retardation is 4 m/s² or more. The function deactivates when retardation is less than 2.5 m/s².
- ### Rims and tyres
- RT-STEEL** Steel rims on all axles
 - SPWT-D** Spare driving wheel
 - SPWT-F** Spare front wheel
 - SWCP-R** Spare wheel carrier mounted behind rear axle
 - SWCP-T** Spare wheel transport-mounted on top of frame
 - SWCP-TP** Spare wheel and carrier transport-mounted on top of frame
 - JACK-20T** Hydraulic jack, 20 tonnes. Low manual pumping force facilitates use in uncomfortable positions. Has a release valve, which permits safe, easy and precise control over rate of lowering and a filter in the oil reservoir gives protection from contamination.
For FM: Height 190-325 mm, weight 10.5 kg
For FH: height 240-467 mm, weight 13.3 kg
 - TOOLKIT** This kit consists of a tool bag (case) including the following tools:
 - Combination screwdriver.
 - 1 screwdriver handle
 - 1 blade, Philips/flat blade
 - 1 blade, Torx T10/Torx T20
 - 1 blade, Torx T25/Torx T27
 - 1 blade, Torx T30/Torx T40
 - Socket wrench.
 - Adjustable pliers.
 - Allen key.
 - Adjustable spanner.
 - Hammer.
 - INFLAHOS** Tyre inflation hose 18 m. The air is supplied by a chassis-mounted pneumatic outlet (must be ordered separately).
- Standard Equipment Optional Equipment

For more detailed information about cab and powertrain equipment, please refer to separate specification sheets.

For all possible options and combinations of options please consult your Volvo sales contact who can create a specification to match your requirements using the Volvo Sales Support system (VSS).

The factory reserves the right to modify design and change equipment without previous notification. The specification can vary from country to country.

- GAUGE-TP** Tyre pressure gauge

Powertrain equipment

- TRAP-HD** Reinforced gearbox range housing
- DRM-BE** I-Shift drive modes Economy, Standard and Performance
- DRM-E** I-Shift drive mode Economy
- PVT-MTM** I-See
- CRUIS-E** I-Cruise cruise control, I-Roll included
- AMSO-AUT** I-Shift manual gear shifting available in automatic mode, including kick-down function
- AVO-ENH** I-Shift with enhanced software for construction and off-road applications
- APF-ENH** I-Shift with enhanced PTO functions (Auto neutral for p. brake/Reverse inhibit/Split box connection)
- RET-TPT** Gearbox-mounted Powertronic primary retarder
- TC-HWO** Cooler for hydraulic gearboxes - water/oil
- TC-MAOH2** Extra high performance cooler for manual/I-shift gearboxes - air/oil
- TC-MWOH2** High performance cooler for manual/I-Shift gearboxes - water/oil
- 2COM1080** Dual-cylinder air compressor 704 cc, 1080 l/min
- 2COM1100** Dual-cylinder air compressor 760 cc, 1100 l/min
- 2COMP870** Dual-cylinder, two-stage air compressor 560 cc, 870 l/min
- 2COMP900** Dual-cylinder air compressor 636 cc, 900 l/min
- CLU-AIRC** Air compressor clutch with automatic declutching when not needed, to save fuel
- AIRIN-HI** High air inlet
- AIRIN-LO** Low air inlet
- ACL1ST-S** Air cleaner with extra filter element
- 24A110BL** Alternator 110 Ampere
- 24A150BL** Alternator 150 Ampere
- 24AL110B** Alternator 110 Ampere
- 24AL150B** Alternator 150 Ampere
- CCV-C** Closed crankcase ventilation
- CCV-O** Open crankcase ventilation
- CCV-OX** Open extended crankcase ventilation with oil separator and maintenance-free gas centrifuge
- FUEQ-EH** Fuel line electric heater
- AF-E** Electrically heated fuel filter
- AF-R** Hot fuel recirculation heated fuel filter
- FUEFE2LW** Large engine-mounted dual fuel filter with water separator and drain
- FUEFE2SW** Small engine-mounted dual fuel filter with water separator and drain (for good fuel quality)
- EST-AID** Engine intake air heater
- 220EBH15** Engine block heater, 220 V, 1.5 kW
- PTER-100** Rear engine, clutch-independent PTO, flange connection, DIN 100/ISO 7646
- PTER-DIN** Rear engine, clutch-ind. PTO, splined shaft groove (fem), close-coupled pump DIN 5462/ISO7653
- PTER1400** Rear engine, clutch-independent PTO, flange connection, SAE 1410/ISO 7647
- HPE-F101** Engine-mounted hydraulic pump F1-101, fixed displacement, single flow
- HPE-F41** Engine-mounted hydraulic pump F1-41, fixed displacement, single flow
- HPE-F51** Engine-mounted hydraulic pump F1-51, fixed displacement, single flow
- HPE-F61** Engine-mounted hydraulic pump F1-61, fixed displacement, single flow
- HPE-F81** Engine-mounted hydraulic pump F1-81, fixed displacement, single flow

MODEL RANGE

FMX D11 44 Rigid Diesel Rear Leaf FMX 44R 1L

<input type="checkbox"/> HPE-T53	Engine-mounted hydraulic pump F2-53/53, fixed displacement, twin flow	<input type="checkbox"/> RSENS-W	Wipers rain sensor
<input type="checkbox"/> HPE-T70	Engine-mounted hydraulic pump F2-70/35, fixed displacement, twin flow	<input type="checkbox"/> CU-ECC	Automatic climate control with sun sensor
<input type="checkbox"/> HPE-V45	Engine-mounted hydraulic pump VP1-45, variable displacement, single flow	<input type="checkbox"/> CU-ECC2	Automatic climate control with sun sensor, humidity sensor, air quality sensor and carbon filter
<input type="checkbox"/> HPE-V75	Engine-mounted hydraulic pump VP1-75, variable displacement, single flow	<input checked="" type="checkbox"/> CU-MCC	Manual climate control (heater/cooler function)
<input type="checkbox"/> PTPT-D	Gearbox PTO, 1 front/upper connection DIN 5462/ISO 7653 for plug-in pump, 850 Nm	<input checked="" type="checkbox"/> IGT-BUT	Push button ignition
<input type="checkbox"/> PTPT-F	Gearbox PTO, 1 front/upper rear flange connection SAE 1410/ISO 7647 for propshaft, 850 Nm	<input type="checkbox"/> IMMOBIL	Immobiliser
<input type="checkbox"/> PTR-D	Gearbox low-speed PTO, 1 rear connection DIN 5462/ISO 7653 for plug-in pump, 1000 Nm	<input type="checkbox"/> ALARM-E	Anti-theft alarm for cab, superstructure and trailer
<input type="checkbox"/> PTR-DH	Gearbox high-speed PTO, 1 rear connection DIN 5462/ISO 7653 for plug-in pump, 600 Nm	<input type="checkbox"/> PHONE-PK	
<input type="checkbox"/> PTR-DM	Gearbox medium-speed PTO, 1 rear connection DIN 5462/ISO 7653 for plug-in pump, 600 Nm	<input type="checkbox"/> ISUNS-BS	Side interior roller blind on both sides, manually manoeuvred
<input type="checkbox"/> PTR-F	Gearbox low-speed PTO, 1 rear flange connection SAE 1410/ISO 7647 for propshaft, 1000 Nm	<input checked="" type="checkbox"/> ISUNS-DS	Side interior roller blind on driver's side, manually manoeuvred
<input type="checkbox"/> PTRD-D	Gearbox high-speed PTO, 1 rear + 1 front DIN 5462/ISO 7653 for plug-in pumps, 870 Nm	<input type="checkbox"/> ISUNF-B	Interior roller blind, integrated in front shelf, electrically manoeuvred
<input type="checkbox"/> PTRD-D1	Gearbox high-speed PTO, 1 rear SAE 1410/ISO 7647, 1 front DIN5462/ISO7653, 870 Nm	<input type="checkbox"/> ISUNF-MD	Interior roller blind, integrated in front shelf, manually manoeuvred
<input type="checkbox"/> PTRD-D2	Gearbox PTO, 2 rear hi/lo-speed SAE1310/1410/ISO7647, 1 front hi-speed DIN5462/ISO7653, 870/1000 Nm	<input type="checkbox"/> ISUNF-RE	Interior roller blind, integrated in front shelf, manually manoeuvred
<input type="checkbox"/> HPG-F101	Gearbox-mounted hydraulic pump F1-101, fixed displacement, single flow	<input checked="" type="checkbox"/> ISUNF-RM	Interior roller blind, integrated in front shelf, manually manoeuvred
<input type="checkbox"/> HPG-F41	Gearbox-mounted hydraulic pump F1-41, fixed displacement, single flow	<input type="checkbox"/> ADFS	Two extra DIN slots in front shelf, 165x40x180 mm (W x H x D)
<input type="checkbox"/> HPG-F51	Gearbox-mounted hydraulic pump F1-51, fixed displacement, single flow	<input checked="" type="checkbox"/> BUPALARM	Reversing warning
<input type="checkbox"/> HPG-F61	Gearbox-mounted hydraulic pump F1-61, fixed displacement, single flow	<input type="checkbox"/> REMC-MF	Wireless remote control, multi-functional
<input type="checkbox"/> HPG-F81	Gearbox-mounted hydraulic pump F1-81, fixed displacement, single flow	<input checked="" type="checkbox"/> FIREXT3S	Fire extinguisher 3 kg, Swedish/English decal
Cab Interior, Driving		<input checked="" type="checkbox"/> WARNVEST	Reflective vest, fulfils European standard EN 471 class 2
<input checked="" type="checkbox"/> STWPOS-L	Left-hand drive	<input checked="" type="checkbox"/> WARNTRI2	Two warning triangles
<input type="checkbox"/> STWPOS-R	Right-hand drive	<input type="checkbox"/> AIDKIT	First aid kit containing sticking plaster, washing and drying pads, compresses, elastic bandages, respiratory mask, gloves and scissors.
<input type="checkbox"/> STWM-LE	Steering wheel material leather	<input type="checkbox"/> AIDKIT1B	First aid kit containing sticking plaster, compresses, elastic bandages, gloves, scissors, triangular bandage, bandaging cloths, adhesive tape and rescue sheet (German requirements)
<input type="checkbox"/> STGW-AD2	Manually adjustable steering wheel with neck tilt	<input type="checkbox"/> WARNLAMP	Portable amber and white warning lamp with batteries
<input checked="" type="checkbox"/> STGW-ADJ	Manually adjustable steering wheel	<input type="checkbox"/> LAMP-IN	Inspection lamp with 10 m cable
<input type="checkbox"/> AIRBAG	Airbag on driver's side	<input type="checkbox"/> BULBKIT	Bulb and fuse kit
<input type="checkbox"/> DRC-AMII	Regeneration control for DPF, initiation: automatic or manual, inhibition: manual	<input type="checkbox"/> WRITEPAD	Writing pad with paper clamp
<input checked="" type="checkbox"/> DRC-AUTO	Regeneration control for DPF, fully automatic (in motion)	Cab Interior, Living	
<input type="checkbox"/> 1DAYB	One-day analogue tachograph, basic	<input type="checkbox"/> DST-CF1	Driver's seat Comfort
<input checked="" type="checkbox"/> TAC-PK2	Preparation kit for tachograph	<input checked="" type="checkbox"/> DST-CF4	Driver's seat Comfort, belt in seat
<input type="checkbox"/> ARSL	Additional road speed limiter control (switch in dashboard)	<input type="checkbox"/> DST-CF5	Driver's seat Comfort, belt in seat, heated, adjustable lumbar&side support, extendable seat cushion
<input type="checkbox"/> ESP-BAS1	ESP for tractor combinations with ABS/EBS or rigid vehicles/combinations with std center of gravity	<input type="checkbox"/> DST-CF6	Driver's seat Comfort, belt in seat, heated, ventilated
<input type="checkbox"/> ESPC-RO	Electronic stability program functionality control, switch - On/Reduced/Off	<input type="checkbox"/> SBD-RED	Red safety belts, passenger and driver seats
<input type="checkbox"/> HWSS-ACB	Adaptive cruise control with forward collision warning (stationary and moving objects) and emergency braking. Using both radar and camera to collect info.	<input type="checkbox"/> SBPRE-DS	Driver's seat belt pretensioner
<input type="checkbox"/> HWSS-FCB	Collision Warning with Emergency Brake (forward)	<input type="checkbox"/> PST-BAS1	Passenger seat Basic, non-suspended
<input type="checkbox"/> LSS-DW	Lane Keeping Support - lane departure warning	<input checked="" type="checkbox"/> PST-CF4	Passenger seat Comfort, suspended, belt in seat
<input type="checkbox"/> LCS2	Side Collision Avoidance Support, passenger side collision warning (sound and visual information), passenger side	<input type="checkbox"/> PST-CF5	Passenger seat Comfort, suspended, belt in seat, electrically heated
<input type="checkbox"/> LCS3	Active Side Collision Avoidance Support, Collision Warning (sound and visual information) with Emergency Brake, passenger side	<input type="checkbox"/> PST-STD2	Passenger seat Regular, non-suspended
<input type="checkbox"/> LCS5	Active Side Collision Avoidance Support: Collision Warning for both sides (sound and visual information) and Emergency Brake for passenger side	<input type="checkbox"/> PST-STD4	Passenger seat Regular, suspended
<input type="checkbox"/> DAS-W	Driver Alert Support	<input type="checkbox"/> SBPRE-PS	Passenger seat belt pretensioner
<input checked="" type="checkbox"/> Standard Equipment		<input type="checkbox"/> ARMRE-BB	Two armrests on both driver's and passenger seats
<input type="checkbox"/> Optional Equipment		<input type="checkbox"/> ARMRE-DB	Two armrests on driver's seat
		<input type="checkbox"/> ARMRE-PB	Two armrests on passenger seat
		<input type="checkbox"/> ARU-BAS	Vinyl armrest upholstery
		<input type="checkbox"/> ARU-LEA	Leather armrest upholstery
		<input checked="" type="checkbox"/> FMAT-RUB	Black rubber floor mats
		<input type="checkbox"/> FMAT-TX2	Two textile (dark grey on FH/FM/FMX, black on FH16) and two black rubber floor mats
		<input type="checkbox"/> LBK70	Lower fixed bed 2000x700 mm, non-foldable, safety net included

For more detailed information about cab and powertrain equipment, please refer to separate specification sheets.

For all possible options and combinations of options please consult your Volvo sales contact who can create a specification to match your requirements using the Volvo Sales Support system (VSS).

The factory reserves the right to modify design and change equipment without previous notification. The specification can vary from country to country.

MODEL RANGE

FMX D11 44 Rigid Diesel Rear Leaf FMX 44R 1L

<input type="checkbox"/> MATL-FI	Mattress lower bed firm, pocket springs, recommended for body weight over 100 kg	<input type="checkbox"/> DGLAS-L	Laminated window glass in doors. The glass can crack, but retains its protective effect. It also provides better sound insulation.
<input type="checkbox"/> MATL-SF	Mattress lower bed semi-firm, pocket springs, recommended for body weight up to 100 kg	<input checked="" type="checkbox"/> BUMP-HD	Heavy-duty front bumper
<input type="checkbox"/> OLMAT-BA	Overlay mattress, 28 mm thick black textile	<input type="checkbox"/> AUXFS	Extra footstep in cab side
<input type="checkbox"/> OLMAT-PR	Overlay mattress Premium, 35 mm thick black textile	<input type="checkbox"/> GUARD-EH	Guard plate for cooling pipes and oil sump
<input type="checkbox"/> TBK60F	Fixed top bed 600x1900 mm, foldable up to 52° (depending on cab & upper storage), net included	<input type="checkbox"/> SIDEH-B	Guide rail on day cab, driver's side
<input type="checkbox"/> TBK70F	Fixed top bed 700x1900 mm, foldable up to 52° (depending on cab & upper storage), net included	<input type="checkbox"/> SIDSTP-R	Side ladder and guide rail on day cab, driver's side
<input type="checkbox"/> PH-CAB2	Cab parking heater, 2 kW	<input checked="" type="checkbox"/> BUGNET	Insect screen (PVC-coated fibreglass) in front of radiator
<input type="checkbox"/> PH-ENGCA	Engine and cab parking heater	<input checked="" type="checkbox"/> CTILT-P-E	Electric cab tilt pump
<input type="checkbox"/> PH-SS	Short stop cab heater	<input type="checkbox"/> FCABS-A	Air front cab suspension
<input type="checkbox"/> SLCP-BAS	Basic sleeper control panel (interior light, parking heater, roof hatch, door locks)	<input checked="" type="checkbox"/> FCABS-M	Mechanical front cab suspension
<input type="checkbox"/> ETSB-F	Storage at front of engine tunnel	<input type="checkbox"/> RCABS-A	Air rear cab suspension
<input type="checkbox"/> ETSB-FR	Storage at back of engine tunnel and at back, against rear cab wall	<input checked="" type="checkbox"/> RCABS-M	Mechanical rear cab suspension
<input type="checkbox"/> ETSB-FRS	Storage at front of engine tunnel and immersed in RH side of tunnel	<input type="checkbox"/> MIRCFCPX	Rear-view and wide-angle mirrors (both sides), passenger corner camera (FMX)
<input type="checkbox"/> ETSB-FS	Storage at back of engine tunnel, at back against rear cab wall and immersed in RH side of tunnel	<input type="checkbox"/> MIRCMCP	Camera Monitor System and passenger corner camera
<input type="checkbox"/> ETSB-R	Storage at back of engine tunnel, against rear cab wall	<input type="checkbox"/> MIRCMS	Camera Monitor System
<input type="checkbox"/> ETSB-RS	Storage immersed in RH side of engine tunnel and at back against rear cab wall	<input checked="" type="checkbox"/> MIRCOMFX	Robust rear-view and wide-angle mirrors (both sides), kerb observation mirror
<input type="checkbox"/> ETSB-S	Storage immersed in RH side of engine tunnel	<input checked="" type="checkbox"/> AMIR-F20	Front close-view mirror above windscreen, passenger side (radius 200 mm)
<input type="checkbox"/> RUS-BAS	Storage in rear upper cab, 154 litres (300 mm high)	<input checked="" type="checkbox"/> SUNV-H	Exterior front sun visor, transparent dark-grey
<input type="checkbox"/> RUS-HIG	Storage in rear upper cab, 245 litres (440 mm high)	<input type="checkbox"/> AD-ROOF	Roof air deflector
<input type="checkbox"/> REF-ICPK	Preparation kit for refrigerator	<input type="checkbox"/> AD-SIDES	Cab side air deflectors, short
<input type="checkbox"/> MICRO-PK	Preparation kit for microwave oven (electrical cables to front shelf)	<input checked="" type="checkbox"/> HL-BASIC	Halogen H7 headlamps
<input checked="" type="checkbox"/> BOTH-D	One bottle holder under dashboard centre section	<input type="checkbox"/> HL-LED	LED headlamps
<input type="checkbox"/> COFMA-PK	Preparation kit (24 V) for coffee maker	<input type="checkbox"/> HBDA-A	Automatic main beam deactivation and reactivation
<input checked="" type="checkbox"/> INLI-BAS	Interior white light with smooth light transition at on/off, no dimming	<input type="checkbox"/> HL-CLEAN	High-pressure headlamp cleaner
<input type="checkbox"/> INLI-NL	Interior white and red (night) light with smooth light transition at on/off	<input type="checkbox"/> HLP-ST	Steel headlamp protectors (steel and plastic for FMX)
<input type="checkbox"/> INLI-NLD	Interior white and red (night) light with smooth light transition at on/off and dimmer	<input type="checkbox"/> HLP-ST2	Steel and plastic headlamp protectors with steel grating for extra rough applications
<input type="checkbox"/> ARL-FLEX	Two (driver and passenger side) LED reading lamps with flexible arms, mounted on sidewalls	<input type="checkbox"/> HL-ADJ	Manually adjustable headlamp beam
<input checked="" type="checkbox"/> RH-EE	Roof skylight/emergency exit, tinted glass (not a hatch)	<input checked="" type="checkbox"/> DRL-LED	Daytime running lamps (LED)
<input type="checkbox"/> RH-ER	Roof hatch, electrically operated, steel, with emergency exit handle	<input type="checkbox"/> UDRL	Without daytime running lamps (LED)
<input type="checkbox"/> RH-ETR	Roof hatch, electrically operated, tinted glass, rear opening 50 mm	<input type="checkbox"/> ASL-RF2	Two LED spot lamps in sign box
<input type="checkbox"/> RH-MTR	Roof hatch, manually operated, tinted glass, rear opening 50 mm	<input type="checkbox"/> IDLAMP-A	Three amber identification lamps on mid front roof
<input checked="" type="checkbox"/> GLAS-TIN	Tinted windows	<input type="checkbox"/> IDLAMP-W	Three white identification lamps on mid front roof
<input type="checkbox"/> GLAS-UNT	Untinted windows	<input type="checkbox"/> IDLMPSW	Switch in cab for identification lamps
<input type="checkbox"/> SWIND-BS	Rear side window on both sides	<input type="checkbox"/> BEACOA2F	Two amber LED beacons on cab front roof
<input type="checkbox"/> SWIND-PS	Rear side window on passenger side	<input type="checkbox"/> BEACOA2R	Two amber LED beacons on cab rear roof
<input type="checkbox"/> AWIND-RF	Fixed window in back of cab (without curtains)	<input type="checkbox"/> BEACON-P	Preparation kit for roof beacons
<input type="checkbox"/> VANMIR	Vanity mirror in front shelf lid	<input type="checkbox"/> BEACONA4	Four amber LED beacons on roof - two on front, two on rear
<input type="checkbox"/> AS-FUS	One extra shelf in each of the two front upper storage compartments	<input type="checkbox"/> CABPT-R1	One front cab roof pass-through on passenger side
<input type="checkbox"/> INFOT-PK	Preparation kit (bracket, security straps, and antenna cable) for mounting of TV above driver door	<input type="checkbox"/> CABPT-R2	Two front cab roof pass-throughs, one on each side
Cab exterior		<input type="checkbox"/> SPOTP-F	Preparation kit for spot lamp in cab front, max 280 W
<input checked="" type="checkbox"/> EXTL-BAS	Exterior trim level basic	<input type="checkbox"/> SPOTP-R	Preparation kit for spot lamp in cab roof, max 280 W
<input checked="" type="checkbox"/> DGLAS-H	Tempered door window glass	<input type="checkbox"/> SPOTP-RF	Preparation kit for spot lamp in cab roof and front, max 280 W
		<input type="checkbox"/> ROS-IL	Roof sign illumination
		<input type="checkbox"/> ROS-IL2	Preparation kit for installation of roof sign illumination
		<input type="checkbox"/> ROS-ILP	Wiring kit for roof sign illumination
		<input type="checkbox"/> CSGN-FMX	FMX decal in the roof sign box
		<input checked="" type="checkbox"/> HORN-F1S	Single-tone Jericho horn behind grille, operated by steering wheel buttons
		<input type="checkbox"/> HORN-R2S	Two chromed single-tone air horns on the roof, operated by steering wheel buttons
		<input type="checkbox"/> ANT-CBR	Preparation kit for communication/CB radio: roof-mounted single antenna and wiring

Standard Equipment

Optional Equipment

For more detailed information about cab and powertrain equipment, please refer to separate specification sheets.

For all possible options and combinations of options please consult your Volvo sales contact who can create a specification to match your requirements using the Volvo Sales Support system (VSS).

The factory reserves the right to modify design and change equipment without previous notification. The specification can vary from country to country.

MODEL RANGE

FMX D11 44 Rigid Diesel Rear Leaf FMX 44R 1L

- ACCBBR-AP** Accessory brackets mounted on front roof, midroof and rear roof
- ACCBBR-F** Accessory bracket mounted on front roof
- ACCBBR-FM** Accessory brackets mounted on front roof and midroof
- ACCBBR-FR** Accessory brackets mounted on front and rear roof
- ACCBBR-M** Accessory bracket mounted on midroof
- ACCBBR-R** Accessory brackets mounted on mid-roof and rear roof
- ACCBBR-RM** Accessory bracket mounted on rear roof

Superstructure preparations

- SRWL-2RW** 2 white LED reverse/work lamps, rear-facing on rear chassis, 3-pos switch (On/Off/Reverse auto On)
- SRWL-PK** Preparation kit for LED reverse/work lamps at rear chassis, 3-pos switch (On/Off/Reverse auto On)
- SWL-2FW** 2 white LED work lamps at front of chassis, and a 2-position switch (On/Off)
- SWL-2RW** 2 white LED work lamps, rearward-facing on rear chassis (LH/RH side)
- SWL-4W** 4 white LED work lamps on chassis (2 front, 2 rear) and a flexible switch (On/Off)
- SWL-PK** Preparation kit for LED work lamps on chassis, with a 2-pos switch (On/Off)
- WL-CHPK** Preparation kit for work lamp (switch with cable to frame, by gearbox)
- WLC-H2A**
- WLC-H2W** 2 white LED work lamps, high-mounted on back of cab (switch included)
- WLC-PKCH** Preparation kit (cables and switch) for work lamp inside or outside superstructure
- WLC-PKH** Preparation kit (cables and switch) for high-mounted work lamps on back of cab
- WLC-PKL** Preparation kit (cables and switch) for low-mounted work lamps on back of cab
- WLC-PKLH** Preparation kit (cables and switch) for low- and high-mounted work lamps on back of cab
- ECBB-BAS** Body builder electrical centre, prepared for body builder module
- ECBB-HIG** Body builder electrical centre, body builder module with 14 high and 4 low digital outlets
- ECBB-MED** Body builder electrical centre, body builder module with 7 high and 4 low digital outlets
- BBCHAS1** One 7-pole bodywork connector on chassis
- BBCHAS3** Three 7-pole bodywork connectors on chassis
- BEPR-T2** Bodywork electrical and software preparation for tipper with remote control
- TD-LED** TD-LED detects trailers that have either bulb lights or LED lights. Continuous monitoring of the trailer connection status allows optimization of gear shifting and systems like Electronic Stability Program (ESP). Full diagnostics are available for bulb lights, while for LED lights the system cannot identify an "open circuit".
- FRFS-BS** Frame rail free space on both sides to give space for crane legs or other equipment
- FBA-BTF** Front body attachment brackets, lower, for flexible body
- FBA-BTSF** Front body attachment brackets, lower, for semi-flexible body
- HBA-FSFB** Holes for body attachments, flexible/semi-flexible body
- HBA-SB** Holes for body attachments, stiff body
- RBA-T2** Rear body attachment brackets, lower
- AUXL-SPK** Preparation kit (wiring and a switch in dashboard) for snow plough lamps
- TAILPRE2** Tail lift preparation kit, wireless remote operation
- TAILPREP** Tail lift preparation kit
- AESW2** 2 bistable bodywork switches (marked AUX1/AUX2)
- AESW2PK** 2 bistable bodywork switches (marked AUX1/AUX2) + prepared for 4 bistable switches (dummy switches)
- AUXSW-4** Hardwiring for 4 extra switches (from body builder electrical centre to instrument panel)

Standard Equipment

Optional Equipment

For more detailed information about cab and powertrain equipment, please refer to separate specification sheets.

For all possible options and combinations of options please consult your Volvo sales contact who can create a specification to match your requirements using the Volvo Sales Support system (VSS).

The factory reserves the right to modify design and change equipment without previous notification. The specification can vary from country to country.

Services

- TGW-4GWL** Telematics gateway with 4G modem and WLAN
- TGW-PK** Telematics gateway preparation kit
- FMS-PK** Fleet management system gateway, preparation kit
- TSRS2** Road sign recognition (not ISA compliant)

MODEL RANGE

FMX D11 44 Rigid Diesel Rear Leaf FMX 44R 1L
