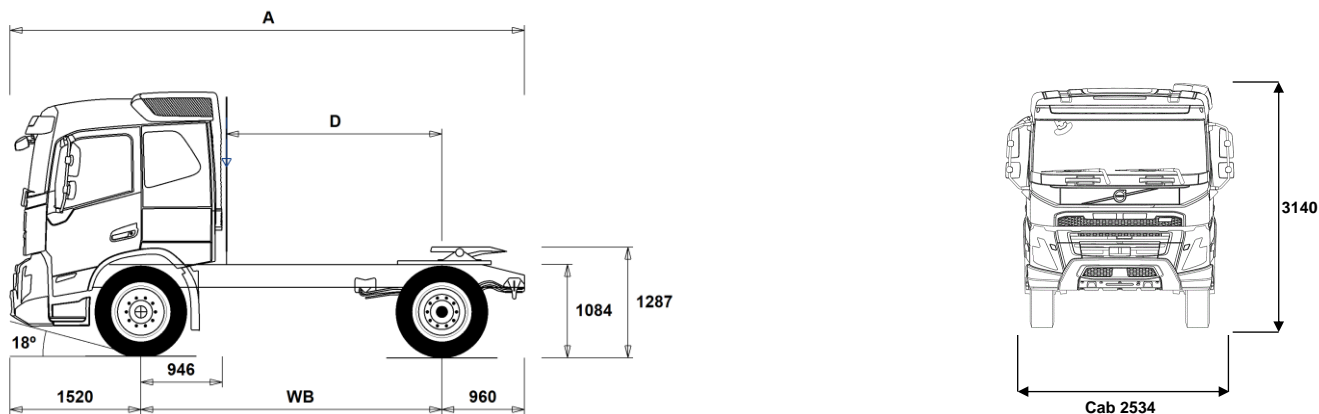


# MODEL RANGE

FMX D13 42 Tractor Diesel Rear Leaf FMX 42T 3L



## Chassis Dimensions [mm]

WB Wheelbase	3500	3600	3700	3800
A Overall Chassis Length	5980	6080	6180	6280
D Center of rear axle to back of cab	2504	2604	2704	2804
F Fifth Wheel Position (EC Directive 96/53)	525	525	525	525

## Chassis Weights [kg]

Front Axle	4645	4645	4655	4655
Rear Axle	1910	1915	1915	1920
Kerb Weight	6555	6560	6570	6575

## Turning Diameter [mm]

Turning Circle Diameter Kerb to Kerb	12700	13100	13400	13700
Turning Circle Diameter Wall to Wall	14200	14500	14800	15200

## Plated Weights [kg]

Gross Vehicle Weight	20100
Gross Combination Weight	44000
Front Axle	7100
Rear Axle	13000

## Design

20100
44000
7100
13000

## Important Notes

### Chassis Dimensions

Cab Height: -16 mm for CAB-DAY, +312 mm for CAB-HSLP, -278 mm for CAB-LDAY, -278 mm for CAB-LSLP.

Front Axle to Back of Cab: -431 mm for CAB-DAY, -500 mm for CAB-LDAY, -6 mm for CAB-LSLP.

D-measure includes a front clearance of 50 mm and for rigid trucks also a subframe of 100 mm.

Height can vary ± 20 mm for leaf and ± 10 mm for air suspension.

All dimensions are for unladen chassis and any tag axles down. Chassis height used: CHH-HIGH.

Weight and dimensions are based upon the following tyres:

Front Axle Tyres:	315/80R22.5
Drive Axle Tyres:	315/80R22.5

**Chassis weight includes oil, water, AdBlue, 0 litres fuel and without driver. Kerb weight can vary ± 3%.**

Turning diameters are theoretically calculated.

Legal weights can differ from country to country.

For more detailed weight information, including optional equipment weights, ask your Volvo sales contact to enter your specification into the Volvo Weight Information system (WIS).

Do NOT use this drawing for bodybuilding. Refer to Volvo Bodybuilder Instructions and chassis assembly drawing FMX42T3L.

# MODEL RANGE

## FMX D13 42 Tractor Diesel Rear Leaf FMX 42T 3L

### Transport operation

- **RC-ROUGH** The truck is optimised to suit the type of road the truck is going to be used on. Using the Road Condition parameter facilitates specification of frame thickness, suspension and other features.
  - For driving on badly maintained surfaced roads and hard-packed sand or gravel and other surfaces of good or bad quality. These vehicles are robust and built for long-lasting usage in tough conditions
- **RC-SMOOTH** The truck is optimised to suit the type of road the truck is going to be used on. Using the Road Condition parameter facilitates specification of frame thickness, suspension and other features.
  - For long-haul driving on well-maintained and less well-maintained surfaced roads

### Core components

- **CHH-HIGH** Chassis height high - approx. 1000 mm above ground level
- **CHH-XHIGH** Chassis height extra high - approx. 1030 mm above ground level
- **FMX-DAY5** FMX Day cab
- **FMX-HSL5** FMX Globetrotter sleeper cab
- **FMX-LDA5** FMX Low Day cab
- **FMX-LSL5** FMX Low sleeper cab
- **FMX-SLP5** FMX Sleeper cab
- **EU6HT** Turbo-TC Euro 6 emission level with High Torque EGR and particulate filter
- **EU6SCR** Euro 6 emission level with Selective Catalytic Reduction (SCR), particulate filter and Exhaust Gas Recirculation (EGR)
- **D13S420A** New:Diesel engine with Turbo-S, 12.8 litre Euro 6 SCR+EGR (Diesel Particulate Filter),420 hp,2100 NM
- **D13S460A** New:Diesel engine with Turbo-S, 12.8 litre Euro 6 SCR+EGR (Diesel Particulate Filter),460 hp,2300 Nm
- **D13S500A** New:Diesel engine with Turbo-S, 12.8 litre Euro 6 SCR+EGR(Diesel Particulate Filter),500 hp,2500 Nm
- **D13S540A** New:Diesel engine Turbo-S, 12.8 litre Euro 6 SCR+EGR (Diesel Particulate Filter),540 hp,2600 Nm
- **D13C380** Diesel engine, 12.8 litre Euro 5 SCR, 380 hp, 1900 Nm
- **D13C420** Diesel engine, 12.8 litre Euro 5 SCR, 420 hp, 2100 Nm
- **D13C460** Diesel engine, 12.8 litre Euro 5 SCR, 460 hp, 2300 Nm
- **D13C500** Diesel engine, 12.8 litre Euro 5 SCR, 500 hp, 2500 Nm
- **D13C540** Diesel engine, 12.8 litre Euro 5 SCR, 540 hp, 2600 Nm
- **D13K420** Diesel engine, 12.8 litre Euro 6 SCR + EGR (Diesel Particulate Filter), 420 hp
- **D13K460** Diesel engine, 12.8 litre Euro 6 SCR + EGR (Diesel Particulate Filter), 460 hp
- **D13K500** Diesel engine, 12.8 litre Euro 6 SCR + EGR (Diesel Particulate Filter), 500 hp.
- **D13K540** Diesel engine, 12.8 litre Euro 6 SCR + EGR (Diesel Particulate Filter), 540 hp
- **EBR-EPG** Engine brake with exhaust pressure governor, EPG
- **EBR-EPGC** Exhaust pressure governor with Volvo compression brake
- **EBR-VEB+** Volvo Engine Brake, VEB+ (high efficiency compression brake with exhaust pressure governor, EPG)
- **AT2412** I-Shift automated mechanical 12-speed gearbox without clutch pedal, max. engine torque 2400 Nm, max permitted GCW 44000 kg.
- **AT2612** I-Shift automated mechanical 12-speed gearbox without clutch pedal, max. engine torque 2600 Nm, max.
- **ATO2612** I-Shift automated mechanical 12-speed overdrive gearbox without clutch, max. engine torque 2600 Nm, max. Suitable for hub reduction rear axles.
- **PT2606** Powertronic automatic 6-speed gearbox, max. engine torque 2600 Nm, max. permitted GCW 130000 kg
- **SPO2812** Semi power shift dual clutch 12-speed overdrive gearbox, max. engine torque 2800 Nm, max permitted GCW 80 000 kg.
- **RSH1370F** Rear hub reduction solo axle - axle load 13 tonnes, GCW 70 tonnes, version F

- **RSS1344C** Rear single reduction solo axle - axle load 13 tonnes, GCW 44 tonnes, version C
- **RSS1344E** Rear single reduction solo axle - axle load 13 tonnes, GCW 44 tonnes, version E
- **RSS1352A** Rear single reduction solo axle - axle load 13 tonnes, GCW 52 tonnes, version A
- **RSS1370A** Rear single reduction solo axle - axle load 13 tonnes, GCW 70 tonnes, version A
- **RSS1370B** Rear single reduction solo axle - axle load 13 tonnes, GCW 70 tonnes, version B

### Packages

- **FP-D13+** Fuel package for EU6 D13 engines
- **DRIVE5** Driving package
- **DRIVE5+** Driving plus package
- **DRIVE5++** Driving plus/plus package
- **1LIVINFM** Living package 1 person
- **2LIVINFM** Living package 2 persons
- **INFOBAS** Information package, basic
- **INFODF** Information package prepared for Dynafleet vehicle onboard support
- **INFOMED** Information package, medium
- **INFONAV** Information package with Navigation support
- **INFONDF** Information package with Navigation support and prepared for Dynafleet vehicle onboard support
- **VISIX5** Visibility package FMX
- **VISIXCAM**
- **GSR2024** General safety regulations 2024
- **GSR2024+** General safety regulations 2024 plus
- **SAFE22** Safety package (VTE)
- **SAFE22+** Safety Plus package (VTE)
- **OFFROADD** Construction package for FM/FMX day cab
- **OFFROADS** Construction package for sleeper cabs

### Chassis

- **FST-MUL** Front conventional multi-leaf suspension
- **FST-PAR** 2 leaf front parabolic suspension (normal stiffness)
- **FST-PAR3** 3 leaf front parabolic suspension (stiffer than normal)
- **FAL10.0** Front axle load 10.0 tonnes
- **FAL7.1** Front axle load 7.1 tonnes
- **FAL7.5** Front axle load 7.5 tonnes
- **FAL8.0** Front axle load 8.0 tonnes
- **FAL8.5** Front axle load 8.5 tonnes
- **FAL9.0** Front axle load 9.0 tonnes
- **FSTAB** Front stabilizer with normal stiffness
- **FSTAB2** Front stabilizer with medium high stiffness
- **FSTAB3** Front stiff stabilizer
- **RAL13** Rear axle load 13 tonnes
- **RSTAB1** Rear stabilizer with normal stiffness
- **ACTST-TO** Volvo Dynamic Steering (VDS) with extra pump and torque overlay
- **ASFE-BAS** Volvo Dynamic Steering feature basic
- **ASFE-OG** Volvo Dynamic Steering stability assist
- **ASFE-PO** Volvo Dynamic Steering personal settings, stability assist
- **ASFE-PS** Volvo Dynamic Steering personal settings
- **PSP-FIX** Power steering pump with fixed displacement
- **PSP-VAR** Power steering pump with variable displacement
- **PSP-VAR2**
- **EBS-MED** EBS (Electronic Brake System) medium package:
  - ABS (Anti-lock Braking System)
  - Lining Wear Sensing (20 % left)
  - Lining Wear Control (incl. wear on the axle)
  - Brake Blending
  - Drag Torque Control
  - Diff Lock Synchronization
  - Diff lock Control
  - Brake Temperature Warning
  - External Brake Demand

■ Standard Equipment                      □ Optional Equipment

For more detailed information about cab and powertrain equipment, please refer to separate specification sheets.

For all possible options and combinations of options please consult your Volvo sales contact who can create a specification to match your requirements using the Volvo Sales Support system (VSS).

The factory reserves the right to modify design and change equipment without previous notification. The specification can vary from country to country.

# MODEL RANGE

## FMX D13 42 Tractor Diesel Rear Leaf FMX 42T 3L

<ul style="list-style-type: none"> <li>- Diagnosis Via Truck Electronic System</li> <li>- Traction Control System</li> <li>- Emergency Brake Assistance</li> <li>- Constant Wheel Brake Monitoring</li> <li>- Coupling Force Control</li> <li>- Automatic Parking Brake Activation</li> <li>- Lining Wear Analyses (calc of remaining mileage)</li> <li>- Auto hold</li> <li>- EBS status monitoring via Truck Electronic System</li> </ul> <ul style="list-style-type: none"> <li>■ <b>AUXPARK</b> Two extra parking brake chambers</li> <li>□ <b>RST-MUL</b> Rear conventional multi-leaf suspension</li> <li>■ <b>RST-PAR1</b> Rear parabolic leaf suspension with normal stiffness</li> <li>■ <b>RST-PAR5</b> Rear progressive parabolic leaf suspension</li> <li>■ <b>FRAME266</b> Frame rail section external height 266 mm</li> <li>□ <b>FRAME300</b> Frame rail section external height 300 mm</li> <li>■ <b>FST7070</b> Frame section thickness - web 7.0 mm / flange 7.0 mm</li> <li>□ <b>FST8080</b> Frame section thickness - web 8.0 mm / flange 8.0 mm</li> <li>□ <b>FIL-EEEE</b> Frame inner liner from end of engine end to end of bogie</li> <li>□ <b>FIL-TXEB</b> Frame inner liner from transmission cross member to end of bogie</li> <li>■ <b>BBOX-L</b> Battery box on left hand side</li> <li>□ <b>BATS-D</b> Dual energy battery storage system (2 living batteries and 2 starter batteries)</li> <li>■ <b>BATS-S</b> Single energy battery storage system (2 batteries)</li> <li>□ <b>2BAT210B</b> Gel batteries 2x210 Ah</li> <li>■ <b>2BAT210C</b> AGM batteries 2x210 Ah</li> <li>■ <b>BATTAMP</b> Battery voltage and ampere gauge</li> <li>□ <b>BATTIND</b> Battery voltage, ampere and battery status gauge with visual alerts</li> <li>□ <b>ADR2</b> ADR adaptation - transportation of dangerous goods, 2 switches (1 inside cab in dashboard, 1 outside on cab back passenger side).</li> <li>□ <b>MSWI-A</b> ADR main switch - ADR switch circuit shut down</li> <li>■ <b>MSWI-C</b> Chassis main switch - battery box placed toggle switch circuit shut down</li> <li>□ <b>MSWI-R</b> Remote controlled main switch - key fob operated circuit shut down</li> <li>■ <b>R330A71</b> Right 330 litre aluminium 710 mm high D-shaped diesel tank. Usable volume is 97% of stated volume. Min volume 255l Max volume 810l</li> <li>■ <b>UL-FUEL</b> Without left diesel tank Min volume 160l Max volume 650l</li> <li>□ <b>ADTP-BC</b> AdBlue tank behind/under cab on right hand side</li> <li>□ <b>ADTP-L</b> AdBlue tank on left hand side (for dual front axles between the axles)</li> <li>■ <b>ADTP-R</b> AdBlue tank on right hand side</li> <li>□ <b>ADB048</b> AdBlue tank usable volume 48 litres, 560 mm high mounted on chassi side.</li> <li>□ <b>ADB050</b> AdBlue tank usable volume 50 litres, mounted behind cab.</li> <li>■ <b>ADB064</b> AdBlue tank usable volume 64 litres, 710 mm high mounted on chassi side.</li> <li>□ <b>ADB068</b> AdBlue tank usable volume 68 litres, 560 mm high mounted on chassi side.</li> <li>□ <b>ADB083</b> AdBlue tank usable volume 83 litres, 560 mm high mounted on chassi side.</li> <li>□ <b>ADB090</b> AdBlue tank usable volume 90 litres, 710 mm high mounted on chassi side.</li> <li>□ <b>ADB100</b> AdBlue tank usable volume 100 litres, 710 mm high mounted on chassi side.</li> <li>□ <b>ADB112</b> AdBlue tank usable volume 112 litres, 710 mm high mounted on chassi side.</li> <li>□ <b>ADTC-BF</b> AdBlue tank cover painted in silver metallic</li> <li>■ <b>FCAP-L</b> The variant includes two or three lockable caps, one or two for the</li> </ul>	<ul style="list-style-type: none"> <li>fuel tank(s) and one for the AdBlue tank, and two keys that fit all tank locks (not cab door locks). The number of fuel tank caps are depending of how many fuel tanks that are specified.</li> <li>■ <b>FUFF-AS</b> Fuel filling anti-spillage device</li> <li>□ <b>FUFF-ATS</b> Fuel filling anti-theft and anti-spillage devices</li> <li>□ <b>ESH-LEFT</b> Horizontal muffler, left exhaust outlet</li> <li>■ <b>ESH-REAR</b> Horizontal muffler, rear exhaust outlet</li> <li>□ <b>ESH-VERT</b> Horizontal muffler, vertical exhaust outlet on right hand side</li> <li>□ <b>ESV-VERT</b> Vertical muffler, vertical exhaust outlet on right hand side</li> <li>□ <b>EXST-SSP</b> Bright polished vertical stainless steel exhaust top pipe</li> <li>□ <b>WHC-FIX1</b> One fixed wheel chock</li> <li>□ <b>WHC-FIX2</b> Two fixed wheel chocks</li> <li>□ <b>WHC-FOL1</b> 1 foldable wheel chock</li> <li>■ <b>WHC-FOL2</b> 2 foldable wheel chocks</li> <li>■ <b>WHCP-F</b> Wheel chock(s) in the front part of the vehicle. <ul style="list-style-type: none"> <li>- TRACTOR, BBOX-L, Fold, 1/2 w chocks = Top of left side battery box</li> <li>- TRACTOR, BBOX-EF, Fold, 1/2 w chocks = Top of lefts side fuel tank</li> <li>- TRACTOR, BBOX-EF, Fix, 2 w chocks = Left frame front of fuel tank</li> <li>- RIGID, 1 front axle, Fold, 1/2 w chocks = Top of left side battery box</li> <li>- RIGID, 2 front axles, Fold, Frame free space, 2 wc = Top of left side battery box</li> <li>- RIGID, 2 front axles, Fix, W/o frame free space, 2 wc = Left frame behind 1st front wheel</li> </ul> </li> <li>□ <b>WHCP-M</b> Wheel chock(s) in the middle part of the vehicle <ul style="list-style-type: none"> <li>- TRACTOR, BBOX-L, Fix, 1/2 w chocks = Left frame front of rear wheels</li> <li>- RIGID, 1 front axle, Fix, 1/2 w chocks = Left frame front of (or behind) rear wheels</li> </ul> </li> <li>□ <b>WHCP-T</b> Transport mounted wheel chock(s) in cab outer luggage compartment</li> <li>□ <b>TB-L80</b> Left toolbox 800 mm length (mounting length 800 mm, real length 730 mm)</li> <li>□ <b>TB-R80</b> Right toolbox 800 mm length (mounting length 800 mm, real length 730 mm)</li> <li>□ <b>SUP-BAS</b> Standard aluminium bars for side underrun protection</li> <li>□ <b>SUP-LOW</b> Low side underrun protection</li> <li>□ <b>CHAIN-S</b> The non-skid chains are on economical safety accessory that provides good grip owing to its square profile and S-shaped pattern. They are made of micro-alloy manganese steel and have a weight of 21 kg each. Using the chains does not cause any imbalance. They are supplied individually in sacks and spares are supplied with each chain. The variant includes one pair of chains except for all wheel drive 6*6, where two pairs are enclosed</li> <li>■ <b>RFEC-B</b> Rear frame end, bent (standard for tractor vehicles)</li> <li>□ <b>TOWR-ONE</b> One rear towing device in frame end cross member</li> <li>□ <b>TREL15</b> 15 pol electrical trailer connector (ADR certified)</li> <li>■ <b>TREL7-7</b> 2x7 pol (24N+24S) electrical trailer connectors (UADR)</li> <li>□ <b>TBC-DUO</b> Trailer brake connection, Duomatic</li> <li>■ <b>TBC-EC</b> Trailer brake connection, European Community</li> <li>■ <b>TRBR-STA</b> Stationary trailer brake control</li> <li>□ <b>TRB-STRE</b> Automatic low speed trailer brake activation (stretch brake) to avoid jack-knifing and to improve steerability</li> <li>■ <b>RFEND-B</b> The fenders have a robust three-piece design with a top part that can easily be removed (no tools required) facilitating access for body building and service. The fenders are manufactured from black plastic and received in different performance to suit chassis height and tyre dimension.</li> </ul>
-----------------------------------------------------------------------------------------------------------------------------------------------------------------------------------------------------------------------------------------------------------------------------------------------------------------------------------------------------------------------------------------------------------------------------------------------------------------------------------------------------------------------------------------------------------------------------------------------------------------------------------------------------------------------------------------------------------------------------------------------------------------------------------------------------------------------------------------------------------------------------------------------------------------------------------------------------------------------------------------------------------------------------------------------------------------------------------------------------------------------------------------------------------------------------------------------------------------------------------------------------------------------------------------------------------------------------------------------------------------------------------------------------------------------------------------------------------------------------------------------------------------------------------------------------------------------------------------------------------------------------------------------------------------------------------------------------------------------------------------------------------------------------------------------------------------------------------------------------------------------------------------------------------------------------------------------------------------------------------------------------------------------------------------------------------------------------------------------------------------------------------------------------------------------------------------------------------------------------------------------------------------------------------------------------------------------------------------------------------------------------------------------------------------------------------------------------------------------------------------------------------------------------------------------------------------------------------------------------------------------------------------------------------------------------------------------------------------------------------------------------------------------------------------------------------------------------------------------------------------------------------------------------------------------------------------------------------------------------------------------------------------------------------------------------------------------------------------------------------------------------------------------------------------------------------------------------------------------------------------------------------------------------------------------------------------------------------------------------------------------------------------------------------------------------------------------------------------------------------------------------------------------------------------------------------------------------------------------------------------------------------------------------------------	------------------------------------------------------------------------------------------------------------------------------------------------------------------------------------------------------------------------------------------------------------------------------------------------------------------------------------------------------------------------------------------------------------------------------------------------------------------------------------------------------------------------------------------------------------------------------------------------------------------------------------------------------------------------------------------------------------------------------------------------------------------------------------------------------------------------------------------------------------------------------------------------------------------------------------------------------------------------------------------------------------------------------------------------------------------------------------------------------------------------------------------------------------------------------------------------------------------------------------------------------------------------------------------------------------------------------------------------------------------------------------------------------------------------------------------------------------------------------------------------------------------------------------------------------------------------------------------------------------------------------------------------------------------------------------------------------------------------------------------------------------------------------------------------------------------------------------------------------------------------------------------------------------------------------------------------------------------------------------------------------------------------------------------------------------------------------------------------------------------------------------------------------------------------------------------------------------------------------------------------------------------------------------------------------------------------------------------------------------------------------------------------------------------------------------------------------------------------------------------------------------------------------------------------------------------------------------------------------------------------------------------------------------------------------------------------------------------------------------------------------------------------------------------------------------------------------------------------------------------------------------------------------------------------------------------------------------------------------------------------------------------------------------------------------------------------------------------------------------------------------------------------------------------------------------------------------------------------------------------------------------------------------------------------------------------------------------------------------------------------------------------------------------------------------------------------------------------------------------------------------------------------------------------------------------------------------------------------------------------------------------------------------------------------------------------------------------------------------------------------------------------------------------------------------------------------------------------------------------------------------

■ Standard Equipment      □ Optional Equipment

For more detailed information about cab and powertrain equipment, please refer to separate specification sheets.

For all possible options and combinations of options please consult your Volvo sales contact who can create a specification to match your requirements using the Volvo Sales Support system (VSS).

The factory reserves the right to modify design and change equipment without previous notification. The specification can vary from country to country.

# MODEL RANGE

## FMX D13 42 Tractor Diesel Rear Leaf FMX 42T 3L

<ul style="list-style-type: none"> <li>■ <b>RFH-BAS</b> Optimal fender installation (rear and 2nd front axle) with regard to legal demands, wheel/tyre sizes, chassis height and fifth wheel height.</li> <li>□ <b>RFH-HIG</b> Highest fender installation (rear and 2nd front axle). Suitable for rough and very rough road conditions.</li> <li>□ <b>RFH-LOW</b> Lower fender installation (rear and 2nd front axle). Suitable only for smooth road conditions. Increased risk of fender top wear.</li> <li>□ <b>ATANK-AL</b> Aluminium air tanks</li> <li>■ <b>ATANK-ST</b> Steel air tanks</li> <li>□ <b>TL-LED</b> The LED tail lamp has all functions integrated in the lamp housing: Tail light, exterior marker light, brake light, hazard warning, reverse light, rear fog light and reflector. All light functions have LED (Light Emitting Diode) lights, which means very low energy consumption. LED lamps are insensitive to vibration and have a very long operating life. They shine with the same high intensity throughout their lifetime.</li> <li>■ <b>BLIGHT-E</b> Flashing brake lights will automatically activate in emergency braking. The flashing frequency is 4 Hz and emergency braking is detected if speed exceeds 50km/h and retardation is 4 m/s<sup>2</sup> or more. The function deactivates when retardation is less than 2.5 m/s<sup>2</sup> <ul style="list-style-type: none"> <li>- Easier for road users to detect emergency braking.</li> <li>- Contributes to safety in congested traffic</li> </ul> </li> <li>□ <b>FRACLOS</b> Frame end closing</li> </ul>	<ul style="list-style-type: none"> <li>□ <b>JACK-20T</b> The hydraulic jack has a capacity of 20 tonnes and its low manual pumping force facilitates use in uncomfortable positions. It has a release valve, which permits safe, easy and precise control over rate of lowering and a filter in the oil reservoir gives protection from contamination. The jack has a minimum height of 190 mm and a maximum height of 325 mm. Weight: 11.5 kg</li> <li>■ <b>TOOL-BAS</b> This kit consists of a tool bag (case) including the following tools: <ul style="list-style-type: none"> <li>• Combination screwdriver.</li> <li>- 1 screwdriver handle</li> <li>- 1 blade, Philips/flat blade</li> <li>- 1 blade, Torx T10/Torx T20</li> <li>- 1 blade, Torx T25/Torx T27</li> <li>- 1 blade, Torx T30/Torx T40</li> <li>• Socket wrench.</li> </ul> </li> <li>□ <b>TOOLKIT</b> This kit consists of a tool bag (case) including the following tools: <ul style="list-style-type: none"> <li>• Combination screwdriver.</li> <li>- 1 screwdriver handle</li> <li>- 1 blade, Philips/flat blade</li> <li>- 1 blade, Torx T10/Torx T20</li> <li>- 1 blade, Torx T25/Torx T27</li> <li>- 1 blade, Torx T30/Torx T40</li> <li>• Socket wrench.</li> <li>• Adjustable pliers.</li> <li>• Allen key.</li> <li>• Adjustable spanner.</li> <li>• Hammer.</li> </ul> </li> <li>■ <b>INFLAHOS</b> The tyre inflation hose is a 18 meter long air hose made of high quality rubber and equipped with nozzles on both ends. It can be used for filling air into a tyre by connecting the hose to an air tank valve on the truck. The tyre inflation hose is stored in the cab compartment for clean and easy access, either in the external luggage compartment (sleeper cab) or behind the seat (day cab).</li> <li>□ <b>GAUGE-TP</b> Tyre pressure gauge</li> </ul>
<p><b>Rims and Tyres</b></p> <ul style="list-style-type: none"> <li>□ <b>RT-AL</b> Brushed aluminium rims with std holes (long stud fixing) on all axles</li> <li>□ <b>RT-ALDP</b> Dura-Bright polished aluminium rims with std holes (long stud fixing) on all axles</li> <li>□ <b>RT-ALDPP</b> Dura-Bright polished aluminium rims with countersunk holes (short stud fixing) on all axles</li> <li>□ <b>RT-ALDU</b> Brushed aluminium rims with countersunk holes (short stud fixing) on all axles</li> <li>■ <b>RT-STEEL</b> Steel rims on all axles</li> <li>□ <b>WCAP</b> Wheel caps</li> <li>□ <b>SPWT-D</b> Spare wheel with tyre equal to drive</li> <li>□ <b>SPWT-F</b> Spare wheel with tyre equal to front wheel</li> <li>□ <b>SWCP-LF</b> Spare wheel carrier on left side in front of rear axle</li> <li>□ <b>SWCP-T</b> Plastic strips strapped to the chassis are used as a temporary spare wheel carrier. Note that the mounting only is temporary and used during transportation.</li> <li>□ <b>SWCP-TP</b> Plastic strips strapped to the chassis are used as a temporary spare wheel carrier. Note that the mounting only is temporary and used during transportation. An ordinary spare wheel carrier is also included. This carrier is transport mounted on top of the temporarily chassis frame strapped spare wheel.</li> <li>■ <b>JACK-12T</b> The hydraulic jack has a capacity of 12 tonnes and its low manual pumping force facilitates use in uncomfortable positions. It has a release valve, which permits safe, easy and precise control over rate of lowering and a filter in the oil reservoir gives protection from contamination. The jack has a minimum height of 180 mm and a maximum height of 315 mm. Weight: 7.3 kg</li> <li>□ <b>JACK-15T</b> The hydraulic jack has a capacity of 15 tonnes and its low manual pumping force facilitates use in uncomfortable positions. It has a release valve, which permits safe, easy and precise control over rate of lowering and a filter in the oil reservoir gives protection from contamination. The jack has a minimum height of 225 mm and a maximum height of 435 mm. Weight: 10.8 kg</li> </ul>	<ul style="list-style-type: none"> <li>□ <b>TRAP-HD</b> Reinforced gearbox application. For manual gearboxes a heavy-duty nodular iron range housing. For I-shift gearboxes (2412 excl.) a reinforced gear shifting system.</li> <li>■ <b>DRM-BE</b> I-Shift drive mode balanced economy</li> <li>□ <b>DRM-E</b> I-Shift drive mode economy</li> <li>□ <b>PVT-BAS</b> Basic topography information, learning by GPS positioning</li> <li>□ <b>PVT-MAP</b> Map based topography information using a high resolution commercial topography map</li> <li>■ <b>CRUIS-E</b> Cruise control I-Cruise with controls in the steering wheel, I-Roll incl. Adding PVT-EXT/-MAP give I-See.</li> <li>□ <b>CRUIS-E5</b> I-Torque, fuel economy optimized cruise control (including I-Roll)</li> <li>□ <b>AMSO-AUT</b> I-shift manual gear shift available in automatic mode incl kickdown function</li> <li>□ <b>AVO-ENH</b> Enhanced I-shift software for construction and off road applications</li> <li>□ <b>APF-ENH</b> Enhanced I-shift PTO functions (Auto Neutral / Reverse Inhibit / Split Box Connection)</li> <li>□ <b>RET-TPT</b> Retarder for hydraulic gearbox</li> <li>□ <b>TC-HWO</b> Cooler for hydraulic gearboxes - water/oil</li> <li>□ <b>TC-MAOH2</b> Extra high performance cooler for manual/I-shift gearboxes - air/oil</li> <li>■ <b>TC-MWO</b> Basic performance cooler for manual/I-Shift gearboxes - water/oil</li> </ul>
<ul style="list-style-type: none"> <li>■ Standard Equipment</li> <li>□ Optional Equipment</li> </ul>	

For more detailed information about cab and powertrain equipment, please refer to separate specification sheets.

For all possible options and combinations of options please consult your Volvo sales contact who can create a specification to match your requirements using the Volvo Sales Support system (VSS).

The factory reserves the right to modify design and change equipment without previous notification. The specification can vary from country to country.

# MODEL RANGE

## FMX D13 42 Tractor Diesel Rear Leaf FMX 42T 3L

<input type="checkbox"/> <b>TC-MWOH2</b>	High performance cooler for manual/I-Shift gearboxes - water/oil	<input type="checkbox"/> <b>PTR-F</b>	Mechanical gearbox driven low speed power take-off, 1 rear flange connection (SAE 1410 / ISO 7647) for propeller shaft (max. 1000 Nm).
<input type="checkbox"/> <b>2COM1100</b>	Dual cylinder air compressor 760 cc / 1100 l/min	<input type="checkbox"/> <b>PTR-FH</b>	Mechanical gearbox driven high speed power take-off, 1 rear flange connection (SAE 1310 / ISO 7647) for propeller shaft (max. 600 Nm).
<input checked="" type="checkbox"/> <b>2COMP870</b>	Dual cylinder/two stage air compressor - 560 cc	<input type="checkbox"/> <b>PTR-FL</b>	Mechanical gearbox driven low speed power take-off, 1 rear flange connection (SAE 1310 / ISO 7647) for propeller shaft (max. 600 Nm).
<input type="checkbox"/> <b>2COMP900</b>	Dual cylinder air compressor - 636 cc	<input type="checkbox"/> <b>PTRD-D</b>	Mechanical gearbox driven high speed power take-off, 1 rear and 1 front connections (DIN 5462 / ISO 7653) for plug-in pumps (max. 870 Nm).
<input type="checkbox"/> <b>CLU-AIRC</b>	Air compressor clutch automatically declutched when not needed in order to save fuel	<input type="checkbox"/> <b>PTRD-D1</b>	Mechanical gearbox driven high speed power take-off, 1 rear flange connection (SAE 1410 / ISO 7647) for propeller shaft / 1 front connection (DIN 5462 / ISO 7653) for plug-in pump (max. 870 Nm).
<input checked="" type="checkbox"/> <b>AIRIN-HI</b>	High air intake	<input type="checkbox"/> <b>PTRD-D2</b>	Mechanical gearbox driven power take-off, 2 rear flange (high-low speed) connections (SAE 1310/1410 / ISO 7647) for propeller shafts / 1 front (high speed) connection (DIN 5462 / ISO 7653) for plug-in pump (max. 870/1000 Nm).
<input type="checkbox"/> <b>AIRIN-LO</b>	Low air intake	<input type="checkbox"/> <b>PTRD-F</b>	Mechanical gearbox driven high speed power take-off, 1 rear flange connection (SAE 1410 / ISO 7647) for propeller shaft (max. 870 Nm).
<input type="checkbox"/> <b>ACL1ST-S</b>	Air cleaner with additional filter element (primary + secondary)	<input type="checkbox"/> <b>HPG-F101</b>	Gearbox mounted hydraulic pump F1-101, fixed displacement, single flow
<input checked="" type="checkbox"/> <b>24A110BL</b>	Alternator 110 Ampere	<input type="checkbox"/> <b>HPG-F41</b>	Gearbox mounted hydraulic pump F1-41, fixed displacement, single flow
<input type="checkbox"/> <b>24A150BL</b>	Alternator 150 Ampere	<input type="checkbox"/> <b>HPG-F51</b>	Gearbox mounted hydraulic pump F1-51, fixed displacement, single flow
<input type="checkbox"/> <b>24AL110B</b>	Alternator 110 Ampere	<input type="checkbox"/> <b>HPG-F61</b>	Gearbox mounted hydraulic pump F1-61, fixed displacement, single flow
<input type="checkbox"/> <b>24AL150B</b>	Alternator 150 Ampere	<input type="checkbox"/> <b>HPG-F81</b>	Gearbox mounted hydraulic pump F1-81, fixed displacement, single flow
<input type="checkbox"/> <b>CCV-C</b>	Closed crankcase ventilation		
<input type="checkbox"/> <b>PRIM-EL</b>	An electrical fuel priming pump is available for the D11 and D13 Euro 6 engines. The pump makes it faster and easier to bleed the fuel system in the case of running low on fuel or other problems with the fuel system. The priming pump is included in the fuel filter housing.		
<input checked="" type="checkbox"/> <b>PRIM-MAN</b>	An electrical fuel priming pump is available for the D11 and D13 Euro 6 engines. The pump makes it faster and easier to bleed the fuel system in the case of running low on fuel or other problems with the fuel system. The priming pump is included in the fuel filter housing.		
<input type="checkbox"/> <b>AF-R</b>	Hot fuel recirculation heated fuel filter		
<input checked="" type="checkbox"/> <b>EST-AID</b>	Engine start pre-heating element		
<input type="checkbox"/> <b>220EBH15</b>	Engine block heater, 220 volt, 1.5 kW		
<input type="checkbox"/> <b>PTER-100</b>	Rear engine mounted clutch independent power-take-off with flange connection (DIN 100 / ISO 7646)		
<input type="checkbox"/> <b>PTER-DIN</b>	Rear engine mounted clutch independent PTO with splined shaft groove (female) for a close coupled pump (DIN 5462 / ISO 7653)		
<input type="checkbox"/> <b>PTER1400</b>	Rear engine mounted clutch independent power-take-off with flange connection (SAE 1410 / ISO 7647)		
<input type="checkbox"/> <b>HPE-F101</b>	Rear engine mounted hydraulic pump F1-101, fixed displacement, single flow		
<input type="checkbox"/> <b>HPE-F41</b>	Rear engine mounted hydraulic pump F1-41, fixed displacement, single flow		
<input type="checkbox"/> <b>HPE-F51</b>	Rear engine mounted hydraulic pump F1-51, fixed displacement, single flow		
<input type="checkbox"/> <b>HPE-F61</b>	Rear engine mounted hydraulic pump F1-61, fixed displacement, single flow		
<input type="checkbox"/> <b>HPE-F81</b>	Rear engine mounted hydraulic pump F1-81, fixed displacement, single flow		
<input type="checkbox"/> <b>HPE-T53</b>	Rear engine mounted hydraulic pump F2-53/53, fixed displacement, twin flow		
<input type="checkbox"/> <b>HPE-T70</b>	Rear engine mounted hydraulic pump F2-70/35, fixed displacement, twin flow		
<input type="checkbox"/> <b>HPE-V45</b>	Rear engine mounted hydraulic pump VP1-45, variable displacement, single flow		
<input type="checkbox"/> <b>HPE-V75</b>	Rear engine mounted hydraulic pump VP1-75, variable displacement, single flow		
<input type="checkbox"/> <b>PTPT-D</b>	Automatic gearbox driven power take-off, 1 front/upper connection (DIN 5462 / ISO 7653) for plug-in pump (max. 850 Nm).		
<input type="checkbox"/> <b>PTPT-F</b>	Automatic gearbox driven Power take-off, 1 front/upper rear facing flange connection (SAE 1410 / ISO 7647) for propeller shaft (max. 850 Nm).		
<input type="checkbox"/> <b>PTR-D</b>	Mechanical gearbox driven low speed power take-off, 1 rear connection (DIN 5462 / ISO 7653) for plug-in pump (max. 1000 Nm).		
<input type="checkbox"/> <b>PTR-DH</b>	Mechanical gearbox driven high speed power take-off, 1 rear connection (DIN 5462 / ISO 7653) for plug-in pump (max. 600 Nm).		
<input type="checkbox"/> <b>PTR-DM</b>	Mechanical gearbox driven medium speed power take-off, 1 rear connection (DIN 5462 / ISO 7653) for plug-in pump (max. 600 Nm).		
<input checked="" type="checkbox"/> <b>Standard Equipment</b>		<input type="checkbox"/> <b>ESP-BAS1</b>	Electronic Stability Program package intended for RIGID single vehicles or vehicle combinations with standard centre of gravity height when laden and for TRACTOR vehicle combinations with a single trailer or multiple trailers with ABS/EBS.
<input type="checkbox"/> <b>Optional Equipment</b>		<input type="checkbox"/> <b>ESPC-RO</b>	ESP (Electronic Stability Program) functionality control - Reduced / Off
		<input type="checkbox"/> <b>HWSS-AC</b>	Adaptive cruise control with forward collision warning

### Cab Interior, Driving

<input checked="" type="checkbox"/> <b>STWPOS-L</b>	Left hand drive
<input type="checkbox"/> <b>STWM-LE</b>	Leather steering wheel
<input type="checkbox"/> <b>STGW-AD2</b>	Mechanically adjustable steering wheel with neck tilt
<input checked="" type="checkbox"/> <b>STGW-ADJ</b>	Mechanically adjustable steering wheel
<input type="checkbox"/> <b>AIRBAG</b>	Airbag on driver side
<input type="checkbox"/> <b>INST-BAS</b>	24-HDV - Instrumentation, high performance 12" fully dynamic instrument cluster. CLASS-HDV - Basic level instrument cluster - 4 inch monochrome display 240x320 pix
<input type="checkbox"/> <b>DRC-AMII</b>	Regeneration control of diesel filter particulates - auto initiation / manual on demand / manual inhibition
<input checked="" type="checkbox"/> <b>DRC-AUTO</b>	Regeneration control of diesel filter particulates - fully automatic (in motion)
<input type="checkbox"/> <b>1DAYDIG2</b>	Gen 2 one day digital tachograph, EC approved
<input checked="" type="checkbox"/> <b>1DAYDIG4</b>	Gen 4 one day digital tachograph, EC approved
<input type="checkbox"/> <b>ARSL</b>	Additional road speed limiter (switch in dashboard) The additional road speed limiter allows the driver to define a temporary speed limit for the truck. This is a useful feature when entering a low-speed area. The driver activates the additional speed limiter by pressing a switch on the instrument panel and the current speed becomes the limit. The speed limiter is deactivated by pressing the switch and releasing the accelerator, lifting off to below 20% engagement.

For more detailed information about cab and powertrain equipment, please refer to separate specification sheets.

For all possible options and combinations of options please consult your Volvo sales contact who can create a specification to match your requirements using the Volvo Sales Support system (VSS).

The factory reserves the right to modify design and change equipment without previous notification. The specification can vary from country to country.

# MODEL RANGE

## FMX D13 42 Tractor Diesel Rear Leaf FMX 42T 3L

<ul style="list-style-type: none"> <li><input type="checkbox"/> <b>HWSS-ACB</b> Adaptive cruise control with forward collision warning (stationary and moving objects) and emergency braking. Using both radar and camera to collect info.</li> <li>■ <b>HWSS-FCB</b> Forward collision warning (stationary and moving objects) with emergency braking</li> <li>■ <b>LSS-DW</b> Lane keeping support - lane departure warning system</li> <li><input type="checkbox"/> <b>LCS</b> Lane Change Support</li> <li><input type="checkbox"/> <b>LCS4</b> Side Collision Avoidance Support, passenger and driver side</li> <li><input type="checkbox"/> <b>DAS-W</b> Driver Alert Support (drowsy driver warning)</li> <li><input type="checkbox"/> <b>RSSENS-W</b> Wiper rain sensor</li> <li><input type="checkbox"/> <b>CU-ECC</b> Fully electrically controlled air conditioning with sun sensor</li> <li><input type="checkbox"/> <b>CU-ECC2</b> Fully electrically controlled air conditioning with sun sensor, mist sensor, air quality sensor and carbon filter</li> <li>■ <b>CU-MCC</b> Electrical manually controlled air conditioning</li> <li>■ <b>IMMOBIL</b> Immobiliser</li> <li><input type="checkbox"/> <b>ALARM-E</b> Burglar alarm - cab/body/trailer</li> <li><input type="checkbox"/> <b>PHONE-PK</b> Telephone preparation kit (antenna, antenna attachment, cable from antenna to radio shelf).</li> <li><input type="checkbox"/> <b>ISUNS-BS</b> Manually manoeuvred side interior sun visor (roller blind type) on both sides</li> <li>■ <b>ISUNS-DS</b> Manually manoeuvred side interior sun visor (roller blind type) on driver side</li> <li><input type="checkbox"/> <b>ISUNF-B</b> Interior front plastic sun visors (driver and passenger side) without mirror on driver side</li> <li><input type="checkbox"/> <b>ISUNF-MD</b> Interior front plastic sun visors (driver and passenger side) with mirror on driver side</li> <li><input type="checkbox"/> <b>ISUNF-RE</b> Electrical textile interior sun visor (roller blind) integrated in front shelf</li> <li>■ <b>ISUNF-RM</b> Manual interior textile sun visor (roller-blind) integrated in front shelf</li> <li><input type="checkbox"/> <b>ADFS</b> Two extra DIN slots in front shelf (push/pull storage), 165x40x180 mm (WxHxD)</li> <li><input type="checkbox"/> <b>BUPALARM</b> Reversing warning unit (back-up alarm)</li> <li><input type="checkbox"/> <b>RTOLL-PK</b> Preparation kit for road toll collect (GPS/GSM antenna and cables)</li> <li><input type="checkbox"/> <b>REMC-MF</b> Wireless remote control - multi functional</li> <li><input type="checkbox"/> <b>FIREXT2G</b> The fire extinguisher is an important part of the safety equipment. It is extremely reliable, has a high capacity and withstands temperatures down to -30°C. The fire extinguisher manages to extinguish fires in electrical systems and brakes. It is located on the driver side*, beside the seat, which makes it easy to reach in case of an accident. The placement of the fire extinguisher may vary depending on the specification, but it is always easily reachable by the driver.</li> <li><input type="checkbox"/> <b>FIREXT3S</b> The fire extinguisher is an important part of the safety equipment. It is extremely reliable, has a high capacity and withstands temperatures down to -30°C. The fire extinguisher manages to extinguish fires in electrical systems and brakes. It is located on the driver side*, beside the seat, which makes it easy to reach in case of an accident. The placement of the fire extinguisher may vary depending on the specification, but it is always easily reachable by the driver.</li> <li><input type="checkbox"/> <b>WARNVEST</b> The reflective vest makes a person clearly visible during work near a vehicle when it is dark or during other occasions when it is difficult to observe a person. It is made of yellow fluorescent textile, 100 % polyester, and it features two 50 mm wide reflective strips at the front and back. The reflective material is resistant to fuel and oil and works well in both wet and dry weather. The vest is stored in a plastic bag and it is washable at 40°C.</li> </ul>	<ul style="list-style-type: none"> <li>■ <b>WARNTR12</b> Warning triangles are an important safety detail. They offer extra security in the event of an unplanned stop at the roadside, when they alert other road users to be careful and slow down in the area. Two triangles give the opportunity to observe vehicles in both direction, one to be positioned ahead of the truck and the second one behind. The two triangles are delivered in the tool box behind left seat, stripes for tool bag or on the left shelf luggage compartment</li> <li>■ <b>AIDKIT</b> The first-aid kit features a well thought-out assortment of emergency treatment products for both minor and severe injuries: <ul style="list-style-type: none"> <li>• 1 first-aid instruction</li> <li>• 1 pair of scissors</li> <li>• 2 triangular bandage, unbleached cotton cloth</li> <li>• 2 pairs of protective gloves (large)</li> <li>• 3 gauze bandages 80x4000 mm</li> <li>• 2 gauze bandages 60x4000 mm</li> <li>• 1 bandaging cloth 600x800 mm</li> <li>• 2 bandaging cloths 400x600 mm</li> <li>• 6 gauze dressings 100x100 mm (3x2)</li> <li>• 1 adhesive bandage 60x100 mm</li> <li>• 1 adhesive tape 25x5000 mm</li> <li>• 1 first-aid packet 100x120 mm</li> <li>• 3 first-aid packets 80x100 mm</li> <li>• 1 rescue sheet 1600x2100 mm (gold/silver)</li> </ul> </li> <li><input type="checkbox"/> <b>AIDKIT1B</b> First aid kit containing sticking plaster, compresses, elastic bandages, gloves, scissors, triangular bandage, bandaging cloths, adhesive tape and rescue sheet (German requirements)</li> <li><input type="checkbox"/> <b>WARNLAMP</b> Portable warning lamp with batteries</li> <li><input type="checkbox"/> <b>LAMP-IN</b> The inspection lamp is a device that is used to illuminate repairing areas during night or when the day light is not enough. It has a plug for connection into the lighter socket. The length of the electrical cable is 10 meters. The lamp is stored in a storage compartment on driver</li> <li><input type="checkbox"/> <b>BULBKIT</b> Bulb and fuse kit</li> <li><input type="checkbox"/> <b>WRITEPAD</b> Writing pad with spring-loaded paper clip</li> </ul>
<p><b>Cab Interior, Living</b></p> <ul style="list-style-type: none"> <li>■ <b>DST-CF1</b> Driver seat, comfort, suspended</li> <li><input type="checkbox"/> <b>DST-CF4</b> Driver seat, comfort, suspended, belt in seat</li> <li><input type="checkbox"/> <b>DST-CF5</b> Driver seat, comfort, suspended, belt in seat, electrically heated</li> <li><input type="checkbox"/> <b>DST-CF6</b> Driver seat, comfort, suspended, belt in seat, electrically heated, ventilated</li> <li><input type="checkbox"/> <b>SBD-RED</b> A three-point safety belt is the most effective system to reduce the risk of injuries in a traffic accident. The belts keep the driver and the passenger in position and catch the body in the best possible way in case of a collision. The red coloured safety belt improves and increases the safety image for transport companies, when it thanks to the clear colour is noticed and thereby distributes good reputation.</li> <li><input type="checkbox"/> <b>SBPRE-DS</b> Driver seat belt pretensioner</li> <li><input type="checkbox"/> <b>PST-BAS1</b> Passenger seat, basic, non suspended</li> <li><input type="checkbox"/> <b>PST-CF4</b> Passenger seat, comfort, suspended, belt in seat</li> <li><input type="checkbox"/> <b>PST-CF5</b> Passenger seat, comfort, suspended, belt in seat, electrically heated</li> <li>■ <b>PST-STD2</b> Passenger seat, regular, non suspended</li> <li><input type="checkbox"/> <b>PST-STD4</b> Passenger seat, regular, suspended</li> <li><input type="checkbox"/> <b>SBPRE-PS</b> Passenger seat belt pretensioner</li> <li><input type="checkbox"/> <b>ARMRE-BB</b> Two armrests on both driver and passenger seats</li> <li><input type="checkbox"/> <b>ARMRE-DB</b> Two armrests on driver seat</li> <li><input type="checkbox"/> <b>ARMRE-PB</b> Two armrests on passenger seat</li> <li><input type="checkbox"/> <b>ARU-BAS</b> Vinyl armrest upholstery</li> <li><input type="checkbox"/> <b>ARU-LEA</b> Leather armrest upholstery</li> <li>■ <b>FMAT-RUB</b> Two black rubber floor mats</li> </ul>	

■ Standard Equipment      □ Optional Equipment

For more detailed information about cab and powertrain equipment, please refer to separate specification sheets.

For all possible options and combinations of options please consult your Volvo sales contact who can create a specification to match your requirements using the Volvo Sales Support system (VSS).

The factory reserves the right to modify design and change equipment without previous notification. The specification can vary from country to country.

# MODEL RANGE

## FMX D13 42 Tractor Diesel Rear Leaf FMX 42T 3L

<ul style="list-style-type: none"> <li><input type="checkbox"/> <b>FMAT-TX2</b> Two textile (dark grey on FH/FM, black on FH16) and two black rubber floor mats</li> <li><input checked="" type="checkbox"/> <b>LBK70</b> Lower fixed bunk, not foldable - 2000x700 mm. Safety net included.</li> <li><input type="checkbox"/> <b>MATL-FI</b> Mattress lower bunk - firm for over approx. 100 kg, pocket springs.</li> <li><input checked="" type="checkbox"/> <b>MATL-SF</b> Mattress lower bunk - semi-firm up to approx 100 kg, pocket springs.</li> <li><input type="checkbox"/> <b>OLMAT-BA</b> Overlay mattress protector, 28 mm thick black textile</li> <li><input type="checkbox"/> <b>OLMAT-PR</b> Overlay mattress protector, 35 mm thick black textile</li> <li><input type="checkbox"/> <b>TBK60F</b> Fixed top bunk 600x1900 mm, foldable up to 52 degrees to rear wall (depending on cab version and upper storage). Safety net included.</li> <li><input type="checkbox"/> <b>TBK70F</b> Fixed top bunk 700x1900 mm, foldable up to 52 degrees to rear wall (depending on cab version and upper storage). Safety net included.</li> <li><input type="checkbox"/> <b>PH-CAB2</b> Cab parking heater, 2 kW</li> <li><input type="checkbox"/> <b>PH-ENGCA</b> Engine and cab parking heater</li> <li><input type="checkbox"/> <b>PH-SS</b> Short stop heater</li> <li><input type="checkbox"/> <b>SLCP-BAS</b> Basic sleeper control panel (controlling interior light, parking heater, roof hatch and door lock)</li> <li><input type="checkbox"/> <b>ETSB-F</b> Storage on engine tunnel - on front top</li> <li><input type="checkbox"/> <b>ETSB-FR</b> Storage on engine tunnel - on front top and at rear cab wall</li> <li><input type="checkbox"/> <b>ETSB-FRS</b> Storage on engine tunnel - on front top &amp; at rear cab wall &amp; storage immersed into tunnel on RH side</li> <li><input type="checkbox"/> <b>ETSB-FS</b> Storage on engine tunnel - on front top and storage immersed into tunnel on right hand side</li> <li><input type="checkbox"/> <b>ETSB-R</b> Fixed engine tunnel storage box at rear cab wall</li> <li><input type="checkbox"/> <b>ETSB-RS</b> Storage on engine tunnel - at rear cab wall and storage immersed into tunnel on right hand side</li> <li><input type="checkbox"/> <b>ETSB-S</b> Storage on engine tunnel - immersed into tunnel on right hand side</li> <li><input type="checkbox"/> <b>RUS-BAS</b> Rear cab upper storage 154 litres (300 mm high)</li> <li><input type="checkbox"/> <b>RUS-HIG</b> Rear cab upper storage 245 litres (440 mm high)</li> <li><input type="checkbox"/> <b>REF-ICPK</b> The kit consists of a bracket that is mounted on the engine tunnel and a hook that is mounted on the refrigerator side in order to strap it down to the bracket. The kit comes with all necessary equipment for installation of both the bracket and the refrigerator.</li> <li><input type="checkbox"/> <b>REFR-RUS</b> 28 litre rear upper wall mounted refrigerator with deviders</li> <li><input type="checkbox"/> <b>MICRO-PK</b> The front shelf above the passenger seat is prepared from factory with prerouted electrical cables for installation of a 24 V microwave oven. Cables for power supply and ground connections are included.</li> <li><input type="checkbox"/> <b>BOTH-D</b> One 1.5 litre plastic soft-drink bottle holder under dashboard centre section</li> <li><input type="checkbox"/> <b>COFMA-PK</b> Preparation kit (24V) for coffee maker</li> <li><input checked="" type="checkbox"/> <b>INLI-BAS</b> Interior white light with smooth light transition at on/off, no dimming</li> <li><input type="checkbox"/> <b>INLI-NL</b> Interior white and red (night) light with smooth light transition at on/off</li> <li><input type="checkbox"/> <b>INLI-NLD</b> Interior white and red (night) light with smooth light transition at on/off and dimmer</li> <li><input type="checkbox"/> <b>ARL-FLEX</b> Two (driver and passenger side) reading lamps with flexible arms (snake lamps) and led lamps fitted on side walls</li> <li><input checked="" type="checkbox"/> <b>RH-EE</b> Without roof hatch, sky window / emergency exit (tinted glass)</li> <li><input type="checkbox"/> <b>RH-ER</b> Roof hatch - Electrically operated / steel / emergency exit handle</li> <li><input type="checkbox"/> <b>RH-ETR</b> Roof hatch - Electrically operated / Tinted glass / Rear opening</li> <li><input type="checkbox"/> <b>RH-MTR</b> Roof hatch - Manually operated / Tinted glass / Rear opening</li> <li><input checked="" type="checkbox"/> <b>GLAS-TIN</b> Tinted windows (front/side/rear)</li> <li><input type="checkbox"/> <b>SWIND-BS</b> Extra side window on both sides</li> <li><input type="checkbox"/> <b>SWIND-PS</b> Rear side window on passenger side</li> <li><input type="checkbox"/> <b>AWIND-RF</b> Rear fixed window (without curtains)</li> <li><input type="checkbox"/> <b>VANMIR</b> Vanity mirror in front shelf lid.</li> </ul>	<ul style="list-style-type: none"> <li><input type="checkbox"/> <b>AS-FUS</b> One extra shelf in each of the two front upper storage compartments. Only 1 shelf if microwave oven mounted in one of the two compartments.</li> <li><input type="checkbox"/> <b>INFOT-PK</b> Preparation kit (bracket, security straps, power cable, antenna cable and aux cable) for mounting of a television above driver door.</li> </ul> <p><b>Cab Exterior</b></p> <ul style="list-style-type: none"> <li><input checked="" type="checkbox"/> <b>EXTL-BAS</b> NEW-HDV: Exterior trim level basic CLASS-HDV: Basic exterior finish in a lightning grey colour of cab surrounding parts (mirror housings, insteps, bumper and if fitted bumper spoiler and sun visor). If fitted roof air deflector, side air deflector and chassis fairings are always painted in cab colour.</li> <li><input checked="" type="checkbox"/> <b>DGLAS-H</b> Tempered door glass</li> <li><input type="checkbox"/> <b>DGLAS-L</b> Laminated door glass. A laminated safety glass can crack, but retains its protective effect for much longer. This means reduced risk of injury in case of an accident. This glass also provides better sound insulation. The laminated door glass is tinted and has a water repellent treatment.</li> <li><input type="checkbox"/> <b>LOCK-REM</b> Central door locking with remote control</li> <li><input checked="" type="checkbox"/> <b>BUMP-HD</b> Heavy duty front bumper</li> <li><input type="checkbox"/> <b>AUXFS</b> Extra cab side foot-step</li> <li><input type="checkbox"/> <b>GUARD-EH</b> Guard plate for cooling pipes and oil sump</li> <li><input type="checkbox"/> <b>SIDEH-B</b> Guide rail on day cab driver side</li> <li><input type="checkbox"/> <b>SIDSTP-R</b> Side ladder and guide rail on on day cab driver side</li> <li><input checked="" type="checkbox"/> <b>BUGNET</b> Radiator screen / Mosquito net (PVC coated fibreglass) in front of radiator</li> <li><input type="checkbox"/> <b>CTILTPE</b> Electrical cab tilt pump</li> <li><input checked="" type="checkbox"/> <b>CTILTP-M</b> Manual cab tilt pump</li> <li><input type="checkbox"/> <b>FCABS-A</b> Air front cab suspension</li> <li><input checked="" type="checkbox"/> <b>FCABS-M</b> Mechanical cab suspension</li> <li><input type="checkbox"/> <b>RCABS-A</b> Air rear cab suspension</li> <li><input checked="" type="checkbox"/> <b>RCABS-M</b> Mechanical rear cab suspension</li> <li><input type="checkbox"/> <b>MIRCFCPX</b> Electrically heated and operated rear view mirrors with a wide angle section on both sides and kerb observation mirror on the passenger side. Passenger corner camera in the mirror bracket at the passenger side.</li> <li><input checked="" type="checkbox"/> <b>MIRCOMFX</b> EI heated &amp; operated robust main rear view mirrors, electrically heated wide angle mirrors (both sides). Close view mirror on passenger side.</li> <li><input checked="" type="checkbox"/> <b>AMIR-F20</b> Front close view mirror above windscreen, passenger side (radius 200 mm)</li> <li><input type="checkbox"/> <b>SUNV-H</b> Exterior transparent dark grey front sun visor</li> <li><input type="checkbox"/> <b>AD-ROOF</b> Roof air deflector. Design (length, height etc.) automatically calculated and varies depending on vehicle total height (chassis height, cab type, tyres etc).</li> <li><input type="checkbox"/> <b>AD-SIDEL</b> Long cab side air deflector</li> <li><input type="checkbox"/> <b>AD-SIDES</b> Short cab side air deflectors</li> <li><input checked="" type="checkbox"/> <b>HL-BASIC</b> Halogen H7 head lamps</li> <li><input type="checkbox"/> <b>HL-CLEAN</b> The headlamp cleaner is a high-pressure washer unit with nozzles integrated at the side of the headlamp. It works during high- or low beam and it is activated when the windscreen wiper switch is turned on. The cleaner mainly cleans high- and low beam area</li> <li><input type="checkbox"/> <b>HLP-ST</b> Steel headlamp protection</li> <li><input checked="" type="checkbox"/> <b>HL-ADJ</b> The headlamp adjustment control is used to change the height</li> </ul>
---------------------------------------------------------------------------------------------------------------------------------------------------------------------------------------------------------------------------------------------------------------------------------------------------------------------------------------------------------------------------------------------------------------------------------------------------------------------------------------------------------------------------------------------------------------------------------------------------------------------------------------------------------------------------------------------------------------------------------------------------------------------------------------------------------------------------------------------------------------------------------------------------------------------------------------------------------------------------------------------------------------------------------------------------------------------------------------------------------------------------------------------------------------------------------------------------------------------------------------------------------------------------------------------------------------------------------------------------------------------------------------------------------------------------------------------------------------------------------------------------------------------------------------------------------------------------------------------------------------------------------------------------------------------------------------------------------------------------------------------------------------------------------------------------------------------------------------------------------------------------------------------------------------------------------------------------------------------------------------------------------------------------------------------------------------------------------------------------------------------------------------------------------------------------------------------------------------------------------------------------------------------------------------------------------------------------------------------------------------------------------------------------------------------------------------------------------------------------------------------------------------------------------------------------------------------------------------------------------------------------------------------------------------------------------------------------------------------------------------------------------------------------------------------------------------------------------------------------------------------------------------------------------------------------------------------------------------------------------------------------------------------------------------------------------------------------------------------------------------------------------------------------------------------------------------------------------------------------------------------------------------------------------------------------------------------------------------------------------------------------------------------------------------------------------------------------------------------------------------------------------------------------------------------------------------------------------------------------------------------------------------------------------------------------------------------------------------------------------------------------------------------------------------------------------------------------------------------------------------------------------------------------------------------------------------------------------------------------------------------------------------------------------------------------------------------------------------------------------------------------------------------------------------------------------------------------------------------------------------------------------------------------------------------------------------------------------------------------------------------------------------------------------------------------------------------------------------------------------------------------------------------------------------------------------------------------------------------------------------------------------------------------------------------------------------------------------------------------------------------------------------------------------------------------------------------------------------------------------------------------------------------------------------------------------------------------------------------------------------------------------------------------------------------------------------------	-------------------------------------------------------------------------------------------------------------------------------------------------------------------------------------------------------------------------------------------------------------------------------------------------------------------------------------------------------------------------------------------------------------------------------------------------------------------------------------------------------------------------------------------------------------------------------------------------------------------------------------------------------------------------------------------------------------------------------------------------------------------------------------------------------------------------------------------------------------------------------------------------------------------------------------------------------------------------------------------------------------------------------------------------------------------------------------------------------------------------------------------------------------------------------------------------------------------------------------------------------------------------------------------------------------------------------------------------------------------------------------------------------------------------------------------------------------------------------------------------------------------------------------------------------------------------------------------------------------------------------------------------------------------------------------------------------------------------------------------------------------------------------------------------------------------------------------------------------------------------------------------------------------------------------------------------------------------------------------------------------------------------------------------------------------------------------------------------------------------------------------------------------------------------------------------------------------------------------------------------------------------------------------------------------------------------------------------------------------------------------------------------------------------------------------------------------------------------------------------------------------------------------------------------------------------------------------------------------------------------------------------------------------------------------------------------------------------------------------------------------------------------------------------------------------------------------------------------------------------------------------------------------------------------------------------------------------------------------------------------------------------------------------------------------------------------------------------------------------------------------------------------------------------------------------------------------------------------------------------------------------------------------------------------------------------------------------------------------------------------------------------------------------------------------------------------------------------------------------------------------------------------------------------------------------------------------------------------------------------------------------------------------------------------------------------------------------------------------------------------------------------------------------------------------------------------------------------------------------------------------------------------------------------------------------------------------------------------------------------------------------------------------------------------------------------------------------------------------------------------------------------------------------------------------------------------------------------------

Standard Equipment       Optional Equipment

For more detailed information about cab and powertrain equipment, please refer to separate specification sheets.

For all possible options and combinations of options please consult your Volvo sales contact who can create a specification to match your requirements using the Volvo Sales Support system (VSS).

The factory reserves the right to modify design and change equipment without previous notification. The specification can vary from country to country.

# MODEL RANGE

## FMX D13 42 Tractor Diesel Rear Leaf FMX 42T 3L

	of the light beam. If there is a big difference between the chassis inclination angle when loaded and unloaded, this optional feature can be operated to avoid dazzling other road users. The function is not needed when chassis height is adjusted via the air suspension system height control.	<input type="checkbox"/> <b>5WH220</b> <input type="checkbox"/> <b>5WH230</b>	Fifth wheel leg-height 220 mm Fifth wheel leg-height 230 mm
<input checked="" type="checkbox"/> <b>DRL-LED</b>	V-shaped ("V-light") day running light (LED). Turned on low beam gives a dimmed "V-light".	<input type="checkbox"/> <b>5WT-FO14</b> <input type="checkbox"/> <b>5WT-FO15</b>	Fontaine 150SP2 pressed steel fixed fifth wheel Fontaine cast iron 3000 series air actuated sliding fifth wheel. Specified fifth wheel position always gives rearmost position.
<input type="checkbox"/> <b>ASL-RF2</b>	Two Hella H11 70W spot lamps in sign box (one on each side of the Globetrotter sign)	<input checked="" type="checkbox"/> <b>5WT-JO10</b> <input type="checkbox"/> <b>5WT-JO8</b> <input type="checkbox"/> <b>5WT-JO9</b> <input type="checkbox"/> <b>5WT-SH</b>	Jost JSK 36 pressed steel fixed fifth wheel Jost JSK 37 cast iron fixed fifth wheel Jost JSK 42 cast iron fixed fifth wheel SAF-Holland/+GF+ SK-S 36.20 V cast iron fixed fifth wheel
<input type="checkbox"/> <b>BEACOA2F</b> <input type="checkbox"/> <b>BEACOA2R</b> <input type="checkbox"/> <b>BEACON-P</b> <input type="checkbox"/> <b>BEACONA4</b>	Two LED warning lights on the cab front Two LED warning lights on the cab rear Preparation kit Four LED warning lights on the cab front-rear	<input checked="" type="checkbox"/> <b>5WLM-B</b> <input type="checkbox"/> <b>5WLM-L</b>	Basic fifth wheel maintenance Low fifth wheel maintenance with plastic top plate
<input type="checkbox"/> <b>CABPT-R1</b> <input checked="" type="checkbox"/> <b>CABPT-R2</b>	One front cab roof pass through on passenger side Two front cab roof pass throughs, one on each side	<input type="checkbox"/> <b>5WL-S1</b> <input type="checkbox"/> <b>5WL-S2</b>	Fifth wheel lubrication - locking mechanism and top plate Fifth wheel lubrication - locking mechanism
<input type="checkbox"/> <b>SPOTP-F</b> <input type="checkbox"/> <b>SPOTP-R</b> <input type="checkbox"/> <b>SPOTP-RF</b>	Spotlamp preparation in cab front, max 280W Spotlamp preparation on cab roof, max 280W Spotlamp preparation on cab roof and in cab front, max 2x280W	<input type="checkbox"/> <b>TCIND</b>	Trailer connection indication with sensors for height, kingpin and coupling lock
<input type="checkbox"/> <b>ROS-IL</b>	Illuminated roof sign with switch in radio shelf. Switch for turning on/off.	<input checked="" type="checkbox"/> <b>RDECK</b>	Basic rear deck (one plate between frame rails and one over left fuel tank or left battery box)
<input type="checkbox"/> <b>ROS-IL2</b>	Preparation kit for installing an illuminated roof sign*. It includes a prerouted cable harness, a switch and LED-lamps. The switch is connected in the radio shelf middle section. Switch cap with icon, are enclosed in cab. Lamps in sign are mounted. The stripe in the Globetrotter window is selected via the cab sign variants	<input type="checkbox"/> <b>RDECK-M</b>	Medium rear deck (two plates between frame rails and one over left fuel tank or left battery box)
<input type="checkbox"/> <b>ROS-ILP</b>	Wiring preparation kit (wires and switch) for cab sign or roof air deflector illumination	<input type="checkbox"/> <b>SRWL-PK</b>	Wiring preparation for chassis mounted working lamps and a 3-position switch (On/Off/Reverse auto on).
<input type="checkbox"/> <b>CSGN-FMX</b>	FMX decal in the cab roof sign area	<input type="checkbox"/> <b>SWL-2RA</b>	Two amber rear chassis-mounted (LH/RH side) LED working lamps and a 2-position switch (On/Off).
<input checked="" type="checkbox"/> <b>HORN-F1S</b>	One front mounted (behind grille) single tone air horn, Jericho. Operated by steering wheel buttons.	<input type="checkbox"/> <b>SWL-2RW</b>	Two white rear chassis-mounted (LH/RH side) LED working lamps and a 2-position switch (On/Off).
<input type="checkbox"/> <b>HORN-R2S</b>	Two roof mounted single tone chromed air horns. Operated by steering wheel buttons.	<input type="checkbox"/> <b>SWL-PK</b>	Wiring preparation for chassis mounted working lamps and a 2-position switch (On/Off).
<input type="checkbox"/> <b>ANT-CBR</b>	Right hand side roof mounted foldable antenna and cables for CB radio, single aerial.	<input type="checkbox"/> <b>WL-TA1A</b>	Trailer arch working lamp with amber coloured lens and H3/35W bulb
<input type="checkbox"/> <b>ACCB-R-AP</b> <input type="checkbox"/> <b>ACCB-R-F</b> <input type="checkbox"/> <b>ACCB-R-FM</b> <input type="checkbox"/> <b>ACCB-R-FR</b> <input type="checkbox"/> <b>ACCB-R-M</b> <input type="checkbox"/> <b>ACCB-R-R</b> <input type="checkbox"/> <b>ACCB-R-RM</b>	Front, middle & rear roof mounted accessory brackets Front roof mounted accessory bracket Front & middle roof mounted accessory brackets Front & rear roof mounted accessory brackets Middle roof mounted accessory bracket Rear roof mounted accessory bracket Rear & middle roof mounted accessory brackets	<input type="checkbox"/> <b>WL-TA1W</b>	Trailer arch working lamp with white lens and LED/70W bulb
<input type="checkbox"/> <b>RFCAR-BC</b>	Rear fender carrier back of cab	<input type="checkbox"/> <b>WLC-H2A</b>	Two H3/70W working lamps with amber coloured lens high mounted back of cab (switch incl).
<input type="checkbox"/> <b>LADDER</b>	Ladder back of cab	<input type="checkbox"/> <b>WLC-H2W</b>	Two H3/70W working lamps, white lens high mounted back of cab (switch incl).
<input type="checkbox"/> <b>REFS-TW</b> <input type="checkbox"/> <b>REFS-TY</b>	Reflecting white cab side stripes by-packed in cab Reflecting yellow cab side stripes by-packed in cab	<input type="checkbox"/> <b>WLC-PKH</b>	Preparation kit (cables and switch) for high mounted working lamps back of cab (pass through in cab rear roof included). Max load 280W.
<b>Superstructure preparations</b>		<input type="checkbox"/> <b>WLC-PKL</b>	Preparation kit (cables and switch) for low mounted working lamps back of cab (pass through in cab rear wall included). Max load 280W.
<input checked="" type="checkbox"/> <b>5WM-ISOL</b>	Fifth wheel ISO mounting on low L-profiles (t=8 mm) with 12 mm ISO mounting plate. L-profile height above frame = 4 mm. Total height above frame 16 mm.	<input type="checkbox"/> <b>WLC-PKLH</b>	Preparation kit (cables and switch) for low and high mounted working lamps back of cab (pass throughs in rear wall and rear roof included). Max load 280W.
<input type="checkbox"/> <b>5WM-ISOM</b>	Fifth wheel ISO mounting on medium L-profiles (t=8 mm) with 10 mm ISO tie plate. L-profile height above frame = 50 mm. Total height above frame 60 mm.	<input checked="" type="checkbox"/> <b>ECBB-BAS</b> <input type="checkbox"/> <b>ECBB-HIG</b>	Body builder electrical centre without any body builder module Body builder electrical centre with cab body builder module, 14 high and 4 low dig. outlet
<input type="checkbox"/> <b>5WH140</b> <input type="checkbox"/> <b>5WH150</b> <input type="checkbox"/> <b>5WH160</b> <input type="checkbox"/> <b>5WH175</b> <input checked="" type="checkbox"/> <b>5WH185</b> <input type="checkbox"/> <b>5WH195</b> <input type="checkbox"/> <b>5WH200</b> <input type="checkbox"/> <b>5WH205</b> <input type="checkbox"/> <b>5WH210</b>	Fifth wheel leg-height 140 mm Fifth wheel leg-height 150 mm Fifth wheel leg-height 160 mm Fifth wheel leg-height 175 mm Fifth wheel leg-height 185 mm Fifth wheel leg-height 195 mm Fifth wheel leg-height 200 mm Fifth wheel leg-height 205 mm Fifth wheel leg-height 210 mm	<input type="checkbox"/> <b>ECBB-MED</b>	Body builder electrical centre with cab body builder module, 7 high and 4 low dig. outlet
<input checked="" type="checkbox"/> Standard Equipment	<input type="checkbox"/> Optional Equipment	<input type="checkbox"/> <b>BBCHAS1</b>	One 7-pole connector for Body builder interface. Wiring harness routed from the bodybuilder electrical distribution box inside the cab to a connection point inside the right frame rail beside the gearbox.
		<input type="checkbox"/> <b>BBCHAS3</b>	Three 7-pole connectors for Body builder interface. Wiring harness routed from the bodybuilder electrical distribution box inside the cab to a connection point inside the right frame rail beside the gearbox.
		<input type="checkbox"/> <b>BEPR-T2</b>	Body builder electrical software preparation for tipper with remote control
		<input type="checkbox"/> <b>EXSTER</b>	Support for external steering control via body builder module
		<input type="checkbox"/> <b>TD-BAS</b> <input checked="" type="checkbox"/> <b>TD-LED</b>	Trailer detection without LED sensor Trailer detection with LED sensor
		<input type="checkbox"/> <b>AUXL-SPK</b>	Electrical preparation kit (wiring and a switch in dashboard) for snow plough lights. Preparation for installation of additional headlights and additional turning indicators.
		<input type="checkbox"/> <b>TAILPRE2</b> <input type="checkbox"/> <b>TAILPREP</b>	Tail lift preparation kit, wireless remote operation Tail lift preparation kit, wire remote operation

For more detailed information about cab and powertrain equipment, please refer to separate specification sheets.

For all possible options and combinations of options please consult your Volvo sales contact who can create a specification to match your requirements using the Volvo Sales Support system (VSS).

The factory reserves the right to modify design and change equipment without previous notification. The specification can vary from country to country.



# MODEL RANGE

## FMX D13 42 Tractor Diesel Rear Leaf FMX 42T 3L

---

- AESW2** Two Body builder bistable electrical switches (marked AUX1 / AUX2)
- AESW2PK** Two Body builder bistable electrical switches (marked AUX1/AUX2) and in an empty 4-group preparation another four bistable switches with dummy switch caps
- AUXSW-4** Wiring for 4 extra hardwired switches (from Body builder electrical centre to switch positions)

### Services

- TGW-4GWL** Telematics gateway with 4G modem
- FMS-PK** Fleet Management System gateway, preparation kit
- DRUT1** My Truck connects the vehicle to the smartphone app, 1 year prepaid subscription
- DRUT2** My Truck connects the vehicle to the smartphone app, 2 year prepaid subscription
- DRUT3** My Truck connects the vehicle to the smartphone app, 3 year prepaid subscription
- DRUT4** My Truck connects the vehicle to the smartphone app, 4 year prepaid subscription
- DRUT5** My Truck connects the vehicle to the smartphone app, 5 year prepaid subscription