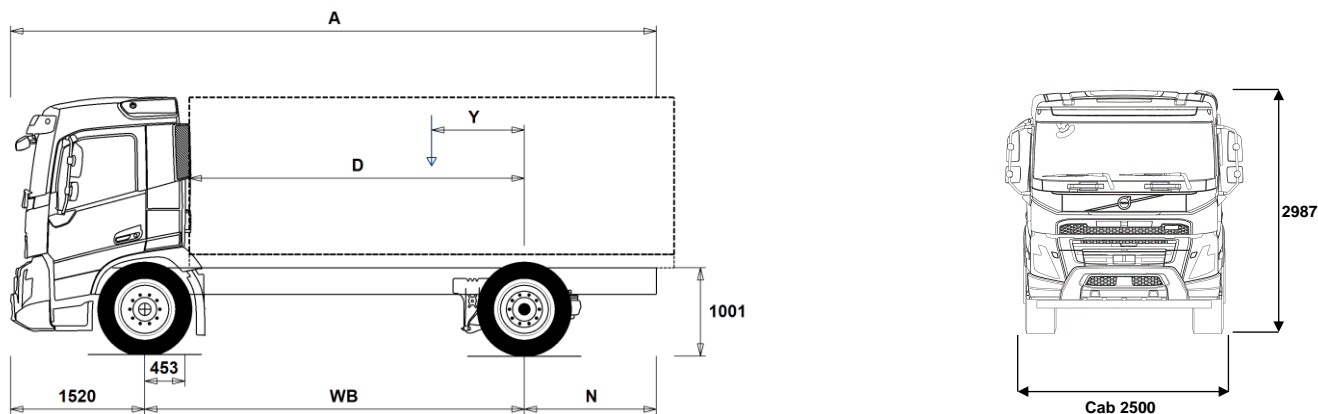


# MODEL RANGE

NEW FMX Battery Electric 4x2 Rigid - Full Air Suspension FMX 42R E



## Chassis Dimensions [mm]

WB Wheelbase	4100	4300	4600	4900	5200	5600	6000	6300	6500	6700
A Overall Chassis Length	9365	8165	8665	9115	9615	10215	10815	11365	11715	11965
D Center of rear axle to front of body	3597	3797	4097	4397	4697	5097	5497	5797	5997	6197
N Rear Overhang (Min.)	795	795	795	795	1395	1395	1395	1395	1395	1395
N Rear Overhang (Max.)	3745	2345	2545	2695	2895	3095	3295	3545	3695	3745
Y Center of Gravity for Payload (Min.)	414	363	348	327	306	276	234	207	194	171
Y Center of Gravity for Payload (Max.)	1086	1065	1101	1134	1167	1209	1243	1273	1297	1312

## Chassis Weights [kg]

Front Axle	5575	5720	5805	5890	5965	6055	6150	6205	6235	6275
Rear Axle	3285	3090	3040	3000	2975	2940	2930	2930	2920	2915
Kerb Weight	8860	8810	8845	8890	8940	8995	9080	9135	9155	9190
Payload (including body, driver, fuel, etc.)	9140	9190	9155	9110	9060	9005	8920	8865	8845	8810

## Turning Diameter [mm]

Turning Circle Diameter Kerb to Kerb	14600	15200	16100	17000	17900	19200	20400	21300	21900	22500
Turning Circle Diameter Wall to Wall	16100	16700	17600	18500	19400	20700	21900	22800	23400	24000

## Plated Weights [kg]

	Plated	Design
Gross Vehicle Weight	18000	21500
Gross Combination Weight	32000	32000
Front Axle	8000	8500
Rear Axle	11500	13000

## Important Notes

### Chassis Dimensions

Cab Height: +374 mm for CAB-HSLP, -204 mm for CAB-LDAY, -204 mm for CAB-LSLP, +4 mm for CAB-SLP.

Front Axle to Back of Cab: +422 mm for CAB-HSLP and CAB-LSLP and CAB-SLP.

D-measure includes a front clearance of 50 mm and for rigid trucks also a subframe of 100 mm.

Height can vary ± 20 mm for leaf and ± 10 mm for air suspension.

All dimensions are for unladen chassis and any tag axles down. Chassis height used: CHH-MED.

Height change when chassis height CHH-HIGH: 0 mm.

Weight and dimensions are based upon the following tyres:

Front Axle Tyres: 315/80R22.5

Drive Axle Tyres: 315/80R22.5

Chassis weight includes oil, water, AdBlue, 0 litres fuel and without driver. Kerb weight can vary ± 10%.

Turning diameters are theoretically calculated.

Legal weights can differ from country to country.

For more detailed weight information, including optional equipment weights, ask your Volvo sales contact to enter your specification into the Volvo Weight Information system (WIS).

Do NOT use this drawing for bodybuilding. Refer to Volvo Bodybuilder Instructions and chassis assembly drawing FMX42RE.

# MODEL RANGE

## NEW FMX Battery Electric 4x2 Rigid - Full Air Suspension FMX 42R E

### TRUCK USE

- **RC-SMOOT** Road Conditions - Smooth
- **GARB-PRE** Transport Adaption - Refuse preparation
- **TIPP-PRE** Transport Adaption - Tipper vehicle preparation
- **UNIFORM** Transport Adaption - Basic platform vehicle

### CORE COMPONENTS

- **CHH-HIGH** Chassis Height - High - for loading heights check the unique BEP chassis drawing attached to this quote
- **CHH-MED** Chassis Height - Medium - for loading heights check the unique BEP chassis drawing attached to this quote
- **RAD-GR** RAD-GR - 4x2 Air - High
- **FMXE-DAY** Cab - Day - steel safety cage design  
Designed and built to Swedish impact and ECE R29 regulations
- **FMXE-HSL** Globetrotter
- **FMXE-LDA** Cab - Low Day - steel safety cage design  
Designed and built to Swedish impact and ECE R29 regulations
- **FMXE-LSL** Low sleeper
- **FMXE-SLP** Cab - Sleeper - all-steel safety cage design with a roof-mounted emergency escape hatch.  
Designed and built to Swedish impact and ECE R29 regulations
- **EPT2412** Gearbox - I-shift Automated 12-speed - suitable for gross train weights up to 44tonne
- **NEM2** Electric Motors - 2 - Output 330 kW - 450hp continuous power
- **NEM3** Electric Motors - 3 - Output 490 kW – 666hp continuous power
- **RSS1344C** Drive Axle - RS1344C single reduction with differential lock - design GCW 44 tonne
- **RSS1344E** Drive Axle - RSS1344E single reduction with differential lock - design GCW 44 tonne
- **RSS1370A** Drive Axle - RSS1370A single reduction 13 tonne with differential lock - design GCW 70 tonne

### PACKAGES

- **INFONDF** Media Information Platform with Navigation & Volvo Connect "On board" Support
- **DRIV-E** Cab Package - Drive
- **DRIV-E+** Cab Package - Drive +
- **DRIV-E++** Cab Package - Drive ++
- **1LIVFM-E** Sleep & Resting Package - Living one-bed
- **2LIVFM-E** Sleep & Resting Package - Living two-bed
- **GSR2024** GSR2 Safety Package - includes moving off information, cyclist and pedestrian side sensors, reverse camera, driver alert support, tyre pressure monitoring, intelligent speed assist, alcohol lock preparation interface, and emergency brake lights
- **GSR2024+** GSR2 Safety Package - includes moving off information, cyclist and pedestrian side sensors, reverse camera, driver alert support, tyre pressure monitoring, intelligent speed assist, alcohol lock preparation interface, and emergency brake lights. Plus Volvo dynamic steering with lane keeping corrective steering, trailer stretch brake and adaptive cruise control
- **RANGOPT5** Range Optimisation Package - 5 years prepaid subscription

### CHASSIS

- **FST-AIR** Front suspension type - Air
- **FSLs-BAS** Front suspension levelling - basic stroke
- **FSLs-HI** Front suspension levelling - high stroke for demount operations - check with bodybuilder
- **FAL10.0** Front axle design capacity - 10 tonne - check tyre capacity
- **FAL8.0** Front axle design capacity - 8.0 tonne - check tyre capacity
- **FAL8.5** Front axle design capacity - 8.5 tonnes
- **FAL9.0** Front axle design capacity - 9.0 tonne - check tyre capacity
- **FSTAB** Front anti-roll bar - Normal stiffness
- **FSTAB2** Front anti-roll bar - Medium stiffness
- **FSTAB3** Front anti-roll bar - High stiffness

- **RAL13** Rear axle design capacity - 13 tonne
- **RSTAB1** Rear anti-roll bar - Normal stiffness
- **RSTAB3** Rear anti-roll bar - Stiff
- **ASF-DL1** Air suspension with 1 driving level
- **ASF-DL3** Air suspension with 3 driving levels
- **ASF-DLL** Air suspension with automatically lowered drive height over 60km/h
- **ACTST-TO** Active Steering- Volvo Dynamic Steering - VDS - with extra electronic pump and torque overlay
- **ASFE-BAS** Active steering feature - Basic - Volvo Dynamic Steering - VDS - only
- **ASFE-OG** Active steering feature - Volvo Dynamic Steering - VDS - with stability assist - oversteer
- **ASFE-PO** Active steering feature - Volvo Dynamic Steering - VDS - with personal settings and stability assist
- **ASFE-PS** Active steering feature - Volvo Dynamic Steering - VDS - with personal settings
- **AUXPARK** Auxiliary parking brake - Additional spring brakes
- **RST-AIR** Rear suspension type - Air
- **FRAME266** Chassis frame section external height - 266 mm
- **FRAME300** Chassis frame section external height - 300 mm
- **FST8080** Chassis frame thickness - 8 mm web and flange
- **FIL-EEEB** Chassis frame inner liner - From the end of the engine to the end of the bogie
- **FIL-EEEF** Chassis frame inner liner - From the end of the engine to end of the frame
- **FIL-TXEB** Chassis frame inner liner - From gearbox member to the end of the bogie
- **FIL-TXEF** Chassis frame inner liner - From gearbox member to the end of the frame
- **BATTAMP** Battery management - Voltage and current gauge
- **BATTIND** Battery management - Voltage, current and charge indicators
- **WHC-FIX1** Wheel chock - One fixed design
- **WHC-FIX2** Wheel chocks - Two fixed design
- **WHC-FOL1** One foldable wheel chock
- **WHC-FOL2** Two foldable wheel chocks
- **WHCP-M** Wheel chock carrier position - Middle part of the vehicle
- **WHCP-R** Wheel chock carrier position - In the rear part of the vehicle
- **WHCP-T** Wheel chock carrier position - Outer luggage locker
- **SUP-BAS** Side guards - Check with bodybuilder chassis space requirements
- **CHAIN-S** Snow chains
- **HOOK-SC** Snow chain hooks
- **TOWF-HD1** Front towing device - One heavy-duty front towing device
- **TOWMBRH1** Towing member, high mounted in centre of frame, D = 190
- **TOWMBRL1** Towing member, low mounted under the frame
- **TOWMBRL2** Towing member, low and forward mounted under the frame
- **TOWMBRL3** Towing member, low and far forward mounted under the frame
- **TOWMBRM** Towing member, medium mounted in line with frame lower flange
- **RFEC-L** Rear frame profile - Lower flange cut for centre axle drawbar
- **RFEC-S** Rear frame profile - Straight cut
- **RFEC-U** Rear frame profile - Slight uppercut for tippers
- **C-RI4040** Towing coupling, Ringfeder 4040A
- **C-RI5050** Towing coupling, Ringfeder 5050A
- **C-RO400G** Towing coupling, Rockinger 400 G-150 for 40mm eyes
- **C-RO50** Rockinger RO 50 50mm for centre axle trailer
- **C-VBG520** VBG 5200D-3 coupling (Not suitable for centre axle trailers)  
Contact VBG on 01925 234111 to validate the coupling rating for the application
- **C-VBG795** VBG 795V-3 coupling (centre axle trailer)
- **TOWR-ONE** Towing hitch attached to rear crossmember
- **TREL-PK** Trailer electrical preparation kit - chassis/cab wiring
- **TREL14** Single 14 pole electrical trailer connector

■ Standard Equipment      □ Optional Equipment

For more detailed information about cab and powertrain equipment, please refer to separate specification sheets.

For all possible options and combinations of options please consult your Volvo sales contact who can create a specification to match your requirements using the Volvo Sales Support system (VSS).

The factory reserves the right to modify design and change equipment without previous notification. The specification can vary from country to country.

# MODEL RANGE

## NEW FMX Battery Electric 4x2 Rigid - Full Air Suspension FMX 42R E

<input type="checkbox"/> <b>TREL15</b>	Trailer electrical connection - Single 15 pin - ADR certified	<input type="checkbox"/> <b>HPM-V75</b>	Hydraulic pump - VP1-75 for electrical motor, variable displacement pump.
<input type="checkbox"/> <b>TREL7-7</b>	Trailer electrical connection - 2 x 7 pin - 24N and 24S	<input type="checkbox"/> <b>HPM-V95</b>	Hydraulic pump - VP1-95 for electrical motor, variable displacement pump.
<input type="checkbox"/> <b>TBC-DUO</b>	Trailer brake connections - Duomatic type	<input type="checkbox"/> <b>PTR-D</b>	Gearbox PTO for plug-in pump, 0.71xeng speed
<input type="checkbox"/> <b>TBC-EC</b>	Trailer brake connections - EC palm coupling connectors	<input type="checkbox"/> <b>PTR-DH</b>	Gearbox driven high speed PTO for one plug-in hydraulic pump
<input type="checkbox"/> <b>TRBR-HCF</b>	Full pressure hand controlled trailer brake	<input type="checkbox"/> <b>PTR-DM</b>	Gearbox driven medium speed PTO for one plug-in hydraulic pump
<input type="checkbox"/> <b>TRBR-STA</b>	Stationary trailer brake control	<input type="checkbox"/> <b>PTR-F</b>	Gearbox driven PTO with rear flange connection
<input type="checkbox"/> <b>TRB-STRE</b>	Stretch Brake - Automatic low speed trailer brake activation to avoid jack-knifing and improve steerability	<input type="checkbox"/> <b>PTR-FH</b>	Gearbox driven high speed PTO with SAE drive flange
<input type="checkbox"/> <b>RFEND-B</b>	Rear mud wings - Three piece EC approved and spray flaps	<input type="checkbox"/> <b>PTR-FL</b>	Gearbox driven low speed PTO with SAE drive flange
<input type="checkbox"/> <b>RFEND-T</b>	Rear mud wings - Temporary on drive axle for transport delivery only	<input type="checkbox"/> <b>PTRD-D</b>	Gearbox driven HIGH SPEED PTO for two plug-in hydraulic pumps
<input type="checkbox"/> <b>RFH-BAS</b>	Basic rear wing height	<input type="checkbox"/> <b>PTRD-D1</b>	PTRD-D1 Gearbox driven HIGH SPEED PTO (1 SAE flange & 1 plug-in hydraulic pump)
<input type="checkbox"/> <b>RFH-HIG</b>	High rear wing height - higher wing tops	<input type="checkbox"/> <b>PTRD-D2</b>	Gearbox driven HIGH SPEED PTO (2 SAE flanges & 1 plug-in hyd pump)
<input type="checkbox"/> <b>RFH-LOW</b>	Lower rear wing height - shallower wing tops	<input type="checkbox"/> <b>PTRD-F</b>	PTO with 1 DIN + 1 flange connection rear, manual gearbox
<input checked="" type="checkbox"/> <b>BLIGHT-E</b>	Emergency brake light	<input type="checkbox"/> <b>HPG-F101</b>	Parker F1-101 gearbox mounted, fixed displacement, single flow, hydraulic pump
<b>WHEELS &amp; TYRES</b>		<input type="checkbox"/> <b>HPG-F41</b>	Parker F1-41 gearbox mounted, fixed displacement, single flow, hydraulic pump
<input checked="" type="checkbox"/> <b>RT-AL</b>	Wheels - Howmet Alcoa brushed aluminium rims - standard holes for long stud fixing	<input type="checkbox"/> <b>HPG-F51</b>	Parker F1-51 gearbox mounted, fixed displacement, single flow, hydraulic pump
<input type="checkbox"/> <b>RT-ALDP</b>	Wheels - Howmet Alcoa Dura-Bright aluminium rims - standard holes for long stud fixing	<input type="checkbox"/> <b>HPG-F61</b>	Parker F1-61 gearbox mounted, fixed displacement, single flow, hydraulic pump
<input type="checkbox"/> <b>RT-ALDPD</b>	Wheels - Howmet Alcoa Dura-Bright EVO aluminium rims - countersunk holes for short stud fixing	<input type="checkbox"/> <b>HPG-F81</b>	Parker F1-81 gearbox mounted, fixed displacement, single flow, hydraulic pump
<input type="checkbox"/> <b>RT-ALDU</b>	Wheels - Howmet Alcoa brushed aluminium rims - countersunk holes for short stud fixing	<input checked="" type="checkbox"/> <b>CRUIS-E</b>	Eco cruise control (with eco-roll and l-cruise, controls in steering wheel)
<input type="checkbox"/> <b>RT-STEEL</b>	Wheels - Steel rims	<input checked="" type="checkbox"/> <b>STWPOS-R</b>	Steering wheel position - RIGHT-HAND DRIVE
<input type="checkbox"/> <b>SPWT-D</b>	Spare wheel & tyre with rear tyre pattern	<input type="checkbox"/> <b>STWM-LE</b>	Steering wheel - Leather
<input type="checkbox"/> <b>SPWT-F</b>	Spare wheel & tyre with front tyre pattern	<input checked="" type="checkbox"/> <b>STGW-AD2</b>	Steering wheel adjustment - Neck tilt, column height and angle
<input type="checkbox"/> <b>SWCP-R</b>	Rear mounted spare wheel carrier	<input type="checkbox"/> <b>1DAYB</b>	One day analogue tachograph, basic
<input type="checkbox"/> <b>SWCP-T</b>	Spare wheel supplied temporarily strapped to chassis	<input type="checkbox"/> <b>1DAYDIG2</b>	Tachograph - Continental VDO 4.0
<input type="checkbox"/> <b>SWCP-TP</b>	Temporary spare wheel carrier on top of chassis frame	<input checked="" type="checkbox"/> <b>1DAYDIG4</b>	Smart tachograph - Continental VDO 4.1 version 2 - legal demand from 21/08/2023
<input type="checkbox"/> <b>JACK-12T</b>	12 tonne bottle jack	<input type="checkbox"/> <b>TAC-PK2</b>	Tachograph prep Kit
<input type="checkbox"/> <b>JACK-15T</b>		<input type="checkbox"/> <b>ARSL</b>	Additional road speed limit - switch in dashboard
<input type="checkbox"/> <b>JACK-20T</b>		<input type="checkbox"/> <b>SPEED-DU</b>	Dual speed limiter
<input checked="" type="checkbox"/> <b>TOOL-BAS</b>	Basic Toolkit	<input checked="" type="checkbox"/> <b>ESP-BAS1</b>	Electronic Stability Control ESC
<input type="checkbox"/> <b>TOOLKIT</b>	Complete tool kit	<input type="checkbox"/> <b>ESPC-RO</b>	Additional ESC functions - Reduced / Off
<input type="checkbox"/> <b>INFLAHOS</b>	Tyre inflation hose	<input type="checkbox"/> <b>HWSS-AC</b>	Forward collision warning with adaptive cruise control WITHOUT AEBS advanced emergency brake system
<input type="checkbox"/> <b>GAUGE-TP</b>	Tyre pressure gauge	<input type="checkbox"/> <b>HWSS-ACB</b>	Forward collision warning with adaptive cruise control and AEBS advanced emergency brake system
<b>DRIVELINE EQUIPMENT</b>		<input checked="" type="checkbox"/> <b>HWSS-FCB</b>	Forward collision warning with AEBS advanced emergency brake system
<input checked="" type="checkbox"/> <b>DRM-BE</b>	Drive Mode - Balanced & Economy	<input checked="" type="checkbox"/> <b>LSS-DW</b>	Lane departure-warning system
<input checked="" type="checkbox"/> <b>PVT-MAP</b>	I-See Predictive Cruise Control - using map-based topography information	<input checked="" type="checkbox"/> <b>LCS4</b>	Side Collision Avoidance Support - passenger and driver side
<input type="checkbox"/> <b>EPTC270</b>	Electro-mechanical Power Take Off - Output 270 Nm - transport located on top of chassis behind cab	<input type="checkbox"/> <b>DAS-W</b>	Driver Alert Support system
<input type="checkbox"/> <b>HPM-F101</b>	Hydraulic pump - F1-101 for electrical motor, fixed displacement pump	<input type="checkbox"/> <b>RSENS-W</b>	Rain sensing windscreen wipers
<input type="checkbox"/> <b>HPM-F41</b>	Hydraulic pump - F1-41 for electrical motor, fixed displacement pump	<input checked="" type="checkbox"/> <b>CU-ECC</b>	Cab Climate Unit - Electrically controlled air conditioning with sun sensor
<input type="checkbox"/> <b>HPM-F51</b>	Hydraulic pump - F1-51 for electrical motor, fixed displacement pump	<input type="checkbox"/> <b>CU-ECC2</b>	Cab Climate Unit - Electrically controlled air conditioning with a carbon filter, sun, mist, and air quality sensor
<input type="checkbox"/> <b>HPM-F61</b>	Hydraulic pump - F1-61 for electrical motor, fixed displacement pump	<input checked="" type="checkbox"/> <b>IMMOBIL</b>	Thatcham H2 approved immobiliser
<input type="checkbox"/> <b>HPM-F81</b>	Hydraulic pump - F1-81 for electrical motor, fixed displacement pump	<input type="checkbox"/> <b>ALARM-E</b>	Enhanced vehicle alarm - Thatcham H1 approved - Cab plus external sensor for body/trailer
<input type="checkbox"/> <b>HPM-T42</b>	Hydraulic pump - F2-42/42 for electrical motor, twin flow displacement pump	<input type="checkbox"/> <b>ISUNS-BS</b>	Side sun visor - Driver & passenger side
<input type="checkbox"/> <b>HPM-T53</b>	Hydraulic pump - F2-53/53 for electrical motor, twin flow displacement pump	<input checked="" type="checkbox"/> <b>ISUNS-DS</b>	Side sun visor - Driver-side
<input type="checkbox"/> <b>HPM-T55</b>	Hydraulic pump - F2-55/28 for electrical motor, twin flow displacement pump	<input type="checkbox"/> <b>ISUNF-RE</b>	Electrically operated textile interior sun blind
<input type="checkbox"/> <b>HPM-T70</b>	Hydraulic pump - F2-70/35 for electrical motor, twin flow displacement pump	<input checked="" type="checkbox"/> <b>ISUNF-RM</b>	Manually operated textile interior sun blind
<input type="checkbox"/> <b>HPM-V130</b>	Hydraulic pump - VP1-130 for electrical motor, variable displacement pump.		
<input type="checkbox"/> <b>HPM-V45</b>	Hydraulic pump - VP1-45 for electrical motor, variable displacement pump.		

Standard Equipment

Optional Equipment

For more detailed information about cab and powertrain equipment, please refer to separate specification sheets.

For all possible options and combinations of options please consult your Volvo sales contact who can create a specification to match your requirements using the Volvo Sales Support system (VSS).

The factory reserves the right to modify design and change equipment without previous notification. The specification can vary from country to country.

# MODEL RANGE

## NEW FMX Battery Electric 4x2 Rigid - Full Air Suspension FMX 42R E

<input type="checkbox"/> <b>ADFS</b>	Two extra DIN slots in front shelf - can be fitted with card or drawer available as an accessory	<input type="checkbox"/> <b>RUS-BAS</b>	Rear cab upper storage - 300 mm high
<input checked="" type="checkbox"/> <b>BUPALARM</b>	Reverse alarm	<input type="checkbox"/> <b>RUS-HIG</b>	Rear cab upper storage - 440 mm high - volume 245 litres
<input type="checkbox"/> <b>RTOLL-PK</b>	Road toll PREPARATION kit for trucks operating with "Toll Collect" in Germany	<input type="checkbox"/> <b>REF-ICPK</b>	Fridge - Engine tunnel mounted preparation kit
<input checked="" type="checkbox"/> <b>LOADIND</b>	Load indicator with central dashboard display	<input type="checkbox"/> <b>REFR-RUS</b>	Fridge - 28 litre rear upper wall mounted with dividers
<input type="checkbox"/> <b>REMC-MF</b>	Multi-functio wireless remote control	<input type="checkbox"/> <b>MICRO-PK</b>	Wiring preparation kit for microwave oven
<input checked="" type="checkbox"/> <b>FIREXT3S</b>	Fire extinguisher - 3kg mounted on the seat base	<input checked="" type="checkbox"/> <b>BOTH-D</b>	Bottle holder - One under dashboard centre section
<input type="checkbox"/> <b>WARNVEST</b>	High visibility warning vest - no sleeves	<input type="checkbox"/> <b>COFMA-PK</b>	Coffee maker - Preparation kit.
<input checked="" type="checkbox"/> <b>WARNTRI2</b>	Roadside hazard warning triangle	<input checked="" type="checkbox"/> <b>INLI-BAS</b>	Interior light - White LEDs
<input type="checkbox"/> <b>AIDKIT</b>	First aid kit - Legal demand for EU markets including delivery to EU bodybuilder	<input type="checkbox"/> <b>INLI-NL</b>	Interior light - White and red nightlight LEDs without dimmer
<input type="checkbox"/> <b>AIDKIT1B</b>	First aid kit - Legal demand for trucks transiting Germany	<input type="checkbox"/> <b>INLI-NLD</b>	Interior light - White and red nightlight LEDs with dimmer
<input type="checkbox"/> <b>WARNLAMP</b>	Portable warning lamp	<input type="checkbox"/> <b>ARL-FLEX</b>	Flexible reading lamps - Two "snake" type
<input type="checkbox"/> <b>LAMP-IN</b>	Inspection lamp	<input checked="" type="checkbox"/> <b>RH-EE</b>	Fixed tinted glass sky window with emergency exit
<input type="checkbox"/> <b>BULBKIT</b>	Bulb and fuse kit	<input type="checkbox"/> <b>RH-ER</b>	Steel roof hatch - Electrically operated, rear opening with emergency exit
<input type="checkbox"/> <b>WRITEPAD</b>	Writing pad	<input type="checkbox"/> <b>RH-ETR</b>	Tinted glass roof hatch - Electrically operated, rear opening with emergency exit
<input checked="" type="checkbox"/> <b>DST-CF4</b>	Driver seat - Suspended, adjustable shock absorber, travel, backrest & lumbar controls with integrated seatbelt	<input type="checkbox"/> <b>RH-MTR</b>	Tinted glass roof hatch - Manually operated, rear opening with emergency exit
<input type="checkbox"/> <b>DST-CF5</b>	Driver seat - Suspended with adjustable shock absorber, travel, backrest, lumbar & heat controls with integrated seatbelt	<input checked="" type="checkbox"/> <b>GLAS-TIN</b>	Cab windows - Tinted
<input type="checkbox"/> <b>DST-CF6</b>	Driver seat - Suspended with adjustable shock absorber, travel, backrest, lumbar, heat and ventilation controls with integrated seatbelt	<input type="checkbox"/> <b>AWIND-RF</b>	Rear window
<input type="checkbox"/> <b>SBD-RED</b>	Seat belt colour - Red	<input type="checkbox"/> <b>SWIND-BS</b>	Cab side window - On both sides behind 'B' post
<input type="checkbox"/> <b>PST-BAS1</b>	Passenger seat - Fixed non suspended fold up with seatbelt mounted on cab "B" post	<input type="checkbox"/> <b>SWIND-PS</b>	Cab side window - Left side behind 'B' post
<input type="checkbox"/> <b>PST-CF4</b>	Passenger seat - Suspended, adjustable shock absorber, travel, backrest & lumbar controls with integrated seatbelt	<input type="checkbox"/> <b>VANMIR</b>	Vanity mirror - In front shelf
<input type="checkbox"/> <b>PST-CF5</b>	Passenger seat - Suspended with adjustable shock absorber, travel, backrest, lumbar & heat controls with integrated seatbelt	<input type="checkbox"/> <b>AS-FUS</b>	Extra shelf in front compartments
<input checked="" type="checkbox"/> <b>PST-STD2</b>	Passenger seat - Fixed with backrest adjustment, non suspended with seatbelt mounted on cab "B" post	<input type="checkbox"/> <b>INFOT-PK</b>	Preparation kit for the mounting of a flat screen TV in cab above the driver's door, includes bracket, electrical and speaker connections
<input type="checkbox"/> <b>PST-STD4</b>	Passenger seat - Standard suspended with seatbelt mounted on cab "B" post		
<input type="checkbox"/> <b>SBPRE-PS</b>	Passenger seat belt pretensioner		
<input type="checkbox"/> <b>ARMRE-BB</b>	Armrests - Two on both driver & passenger seats		
<input type="checkbox"/> <b>ARMRE-DB</b>	Armrests - Two on the driver seat		
<input type="checkbox"/> <b>ARMRE-PB</b>	Armrests - Two on the passenger seat		
<input type="checkbox"/> <b>ARU-BAS</b>	Armrest upholstery - Vinyl		
<input type="checkbox"/> <b>ARU-LEA</b>	Armrest upholstery - Leather		
<input checked="" type="checkbox"/> <b>FMAT-RUB</b>	Footwell floor mats - Rubber		
<input type="checkbox"/> <b>FMAT-TX2</b>	Footwell floor mats - Two sets, Rubber and textile with an embossed pile supplied in the cab		
<input type="checkbox"/> <b>LBK70</b>	Lower bunk 700 x2000 mm, fixed		
<input type="checkbox"/> <b>MATL-FI</b>	Firm lower bunk pocket sprung mattress		
<input type="checkbox"/> <b>MATL-SF</b>	Lower mattress - Flexi-zone semi-firm, pocket springs up to 100kg - 16 stone		
<input type="checkbox"/> <b>OLMAT-BA</b>	Mattress overlay protector - 35mm thick		
<input type="checkbox"/> <b>OLMAT-PR</b>	Mattress overlay protector - Premium 50mm thick		
<input type="checkbox"/> <b>TBK60F</b>	Top bunk - Fixed foldable 600 x 1900mm		
<input type="checkbox"/> <b>TBK70F</b>	Top bunk - Fixed foldable 700 x 1900mm		
<input type="checkbox"/> <b>SLCP-BAS</b>	Sleeper control panel - Basic with switches for interior light, night heater, roof hatch and door lock		
<input type="checkbox"/> <b>ETSB-F</b>	Storage on engine tunnel - Central document box with two rear cup holders		
<input type="checkbox"/> <b>ETSB-FR</b>	Storage on engine tunnel - Central document box with two rear cup holders & open storage pocket on cab rear wall		
<input type="checkbox"/> <b>ETSB-R</b>	Storage on engine tunnel - Open storage pocket on cab rear wall		
<input checked="" type="checkbox"/> <b>Standard Equipment</b>		<input type="checkbox"/> <b>Optional Equipment</b>	

### CAB EXTERIOR

<input checked="" type="checkbox"/> <b>EXTL-BAS</b>	Basic exterior finish - Satin Volvo badges, grey grille, instep, bumper, bumper spoiler, grille, door handles mirror housing and sunvisor if specified.
<input checked="" type="checkbox"/> <b>LOCK-CTL</b>	Door locks - Central locking with key
<input type="checkbox"/> <b>LOCK-REM</b>	Door locks - Remote central locking
<input checked="" type="checkbox"/> <b>BUMP-HD</b>	Front bumper - Heavy duty - FMX
<input type="checkbox"/> <b>CTILT-P-E</b>	Electrically operated hydraulic cab tilt
<input type="checkbox"/> <b>CTILT-P-M</b>	Manually operated hydraulic cab tilt
<input type="checkbox"/> <b>FCABS-A</b>	Front cab suspension - Air
<input checked="" type="checkbox"/> <b>FCABS-M</b>	Front cab suspension - Mechanical spring
<input type="checkbox"/> <b>RCABS-A</b>	Rear cab suspension - Air
<input checked="" type="checkbox"/> <b>RCABS-M</b>	Rear cab suspension - Mechanical spring
<input checked="" type="checkbox"/> <b>MIRCFPCX</b>	Mirrors - Electrically heated and operated - FMX- main and wide-angle with manually adjusted kerb view mirror on the passenger side and position camera in nearside mirror arm. To increase direct vision to the side the main mirrors have no cowlings
<input checked="" type="checkbox"/> <b>AMIR-F20</b>	Auxiliary front view mirror with a 200mm radius
<input type="checkbox"/> <b>SUNV-H</b>	External smoke grey sunvisor
<input type="checkbox"/> <b>AD-ROOF</b>	Cab roof deflector - Adjustable
<input type="checkbox"/> <b>AD-SIDES</b>	Cab side deflector - Short extension panels
<input type="checkbox"/> <b>AD-CHASX</b>	Chassis side skirts
<input type="checkbox"/> <b>ADCF-F</b>	Additional black edging on chassis side skirt
<input type="checkbox"/> <b>HLP-ST</b>	Headlamp protection
<input type="checkbox"/> <b>HLP-ST2</b>	Mesh headlamp protection
<input checked="" type="checkbox"/> <b>DRL-LED</b>	V-shaped daytime running lights
<input type="checkbox"/> <b>ASL-RF2</b>	Two Hella H11 70W spotlamps in sign box
<input type="checkbox"/> <b>BEACOA2F</b>	Roof beacons - Two front roof mounted amber LED
<input type="checkbox"/> <b>BEACOA2R</b>	Roof beacons - Two rear roof mounted amber LED

For more detailed information about cab and powertrain equipment, please refer to separate specification sheets.

For all possible options and combinations of options please consult your Volvo sales contact who can create a specification to match your requirements using the Volvo Sales Support system (VSS).

The factory reserves the right to modify design and change equipment without previous notification. The specification can vary from country to country.

# MODEL RANGE

## NEW FMX Battery Electric 4x2 Rigid - Full Air Suspension FMX 42R E

- BEACON-P** Roof beacons - switch and wiring preparation only
  - BEACONA4** Roof beacons - Four amber LED - two front/ two rear
  - CABPT-R1** Single outlet for roof mounted accessories
  - CABPT-R2** Twin outlets for roof mounted accessories.
  - SPOTP-F** Spotlamp preparation in front, max 280W
  - SPOTP-R** Spotlamp preparation on roof, max 280W
  - SPOTP-RF** Spotlamp preparation on cab roof and in cab front, max 2x280W
  - ROS-IL** Globetrotter roof sign illuminated
  - ROS-IL2** Preparation kit for illuminated roof sign with switch loose in cab, fit after registration
  - ROS-ILP** Roof sign illumination preparation kit
  - CSGN-FMX** "Volvo FMX" headboard logo
  - HORN-F1S** Horn - Air single tone - chassis mounted
  - HORN-R2S** Horn - Air - Two roof-mounted
  - ANT-CBR** Roof mounted antenna for CB radio, single aerial. Only Globetrotter cabs brings in extra DIN slots.
  - ACCB-R-AP** Front, middle & rear roof mounted accessory brackets
  - ACCB-R-F** Front roof mounted accessory bracket
  - ACCB-R-FM** Front & middle roof mounted accessory brackets
  - ACCB-R-FR** Front & rear roof mounted accessory brackets
  - ACCB-R-M** Middle roof mounted accessory bracket
  - ACCB-R-R** Rear roof mounted accessory bracket
  - ACCB-R-RM** Rear & middle roof mounted accessory brackets
  - REFS-TW** White cab conspicuity markings by packed in cab
  - REFS-TY** Yellow cab conspicuity markings by packed in cab
- ### SUPERSTRUCTURE PREPARATIONS
- SRWL-2RW** Chassis-mounted working lamps - Two white rear-mounted LED lamps and 3 position switch
  - SRWL-PK** Chassis-mounted working lamps - Side work and reverse lamp preparation and 3 position switch - Max load 280W
  - SWL-2FW** Chassis-mounted working lamps - Two white front-mounted LED lamps
  - SWL-2RW** Chassis-mounted working lamps - Two white rear-mounted LED lamps
  - SWL-4W** Chassis-mounted working lamps - Four white front and rear-mounted LED lamps
  - SWL-PK** Chassis-mounted working lamps - Side work lamp preparation and 2 position switch - Max load 280W
  - WLC-H2A** Two H3/70W working lamps with amber coloured lens high mounted back of cab
  - WLC-H2W** Two H3/70W white working lamps high mounted on the back of cab
  - WLC-PKCH** Working lamp back of cab - Preparation kit - cables and switch
  - WLC-PKH** Preparation kit, cables and switch for high mounted working lamps back of cab
  - WLC-PKL** Preparation kit, cables and switch for low mounted working lamps back of cab
  - WLC-PKLH** Preparation kit - cables and switch for low and high mounted working lamps back of cab.
  - ECBB-HIG** Body builder electrical centre with body builder module
  - BBCHAS1** One 7-pole connector for Body builder interface
  - BBCHAS3** Three 7-pole connectors for Body builder interface
  - BEPR-T2** Body builder electrical software preparation for tipper with remote control
  - EXSTER** External steering control - Volvo dynamic steering and bodybuilder module prepared for external control system, installed and computer by bodybuilder
  - TD-BAS** Trailer detection WITHOUT LED sensing
  - TD-LED** Trailer detection with LED sensing
  - FBA-BTF** Lower front body attachments for torsionally flexible - platform body
  - FBA-BTSF** Lower front body attachments for torsionally semi-flexible body - box or curtainsider
  - HBA-FSFB** Holes for body attachments - flexible/semi-flexible body
  - HBA-SB** Holes for body attachments - stiff body

- RBA-T2** Lower rear body attachments for helper frame
- CRANEPK1** Crane plates mounted to frame, for cranes up to 10 tonne metre capacity
- CRANEPK2** Crane plates mounted to frame, for cranes up to 20 tonne metre capacity
- CRANEPK4** Crane plates mounted to frame, for cranes up to 40 tonne metre capacity
- AUXL-SPK** Electrical preparation kit - wiring and switch for snow plough lights
- TAILPRE2** Tail lift preparation kit, wireless remote operation
- TAILPREP** Taillift preparation kit - cab switch and warning in driver display
- AESW2** Two Body builder bistable electrical switches (marked AUX1 / AUX2)
- AESW2PK** 2 Body builder bistable el.switches (marked AUX1/AUX2) and prep. for 4 more switches
- AUXSW-4** Wiring for 4 extra switches (from Body builder electrical centre to switch positions)

### DELIVERY SERVICES

- FMS-PK** Fleet Management System gateway - required for aftermarket telematics
- DRUT1** Driver utility app - "My Truck" - 1 year subscription  
For mobile phone, tablet, with android and IOS systems.  
Only available with Volvo Connect subscription
- DRUT2** Driver utility app - "My Truck" - 2 year subscription  
For mobile phone, tablet, with android and IOS systems.  
Only available with Volvo Connect subscription
- DRUT3** Driver utility app - "My Truck" - 3 year subscription  
For mobile phone, tablet, with android and IOS systems.  
Only available with Volvo Connect subscription
- DRUT4** Driver utility app - "My Truck" - 4 year subscription  
For mobile phone, tablet, with android and IOS systems.  
Only available with Volvo Connect subscription
- DRUT5** Driver utility app - "My Truck" - 5 year subscription  
For mobile phone, tablet, with android and IOS systems.  
Only available with Volvo Connect subscription

Standard Equipment       Optional Equipment

For more detailed information about cab and powertrain equipment, please refer to separate specification sheets.

For all possible options and combinations of options please consult your Volvo sales contact who can create a specification to match your requirements using the Volvo Sales Support system (VSS).

The factory reserves the right to modify design and change equipment without previous notification. The specification can vary from country to country.

# MODEL RANGE

NEW FMX Battery Electric 4x2 Rigid - Full Air Suspension FMX 42R E

---

Volvo Trucks. Driving Progress