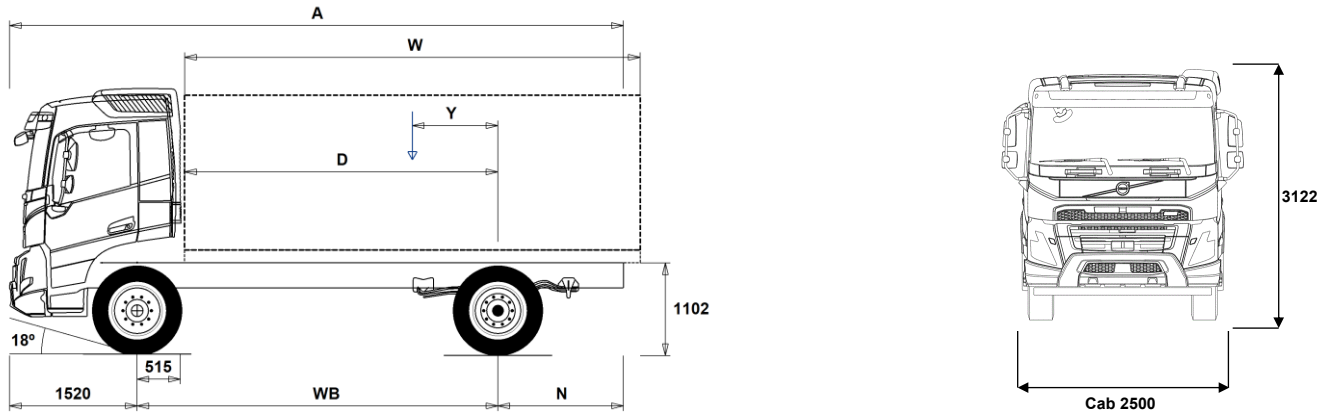


MODEL RANGE

FMX D13 42 Rigid Diesel Rear Leaf FMX 42R 3L



Chassis Dimensions [mm]

WB Wheelbase	3400	3700	4000	4300	4600	4900	5200	5600	6000
A Overall Chassis Length	6815	7265	7665	8165	8665	9115	9615	10215	10815
D Center of rear axle to front of body	2835	3135	3435	3735	4035	4335	4635	5035	5435
N Rear Overhang (Min.)	1395	1395	1395	1395	1395	1395	1395	1395	1395
N Rear Overhang (Max.)	1895	2045	2145	2345	2545	2695	2895	3095	3295
Y Center of Gravity for Payload (Min.)	460	508	550	596	641	688	731	789	844
Y Center of Gravity for Payload (Max.)	460	508	550	596	641	688	731	789	844
W Body Length (Min.)	4747	5252	5768	6276	6786	7293	7805	8489	9180
W Body Length (Max.)	4747	5252	5768	6276	6786	7293	7805	8489	9180

Chassis Weights [kg]

Front Axle	4705	4690	4695	4690	4690	4685	4690	4690	4705
Rear Axle	1745	1785	1830	1875	1920	1955	2000	2035	2085
Kerb Weight	6450	6475	6525	6565	6610	6640	6690	6725	6790
Payload (including body, driver, fuel, etc.)	9550	9525	9475	9435	9390	9360	9310	9275	9210

Turning Diameter [mm]

Turning Circle Diameter Kerb to Kerb	12400	13400	14300	15200	16100	17000	17900	19200	20400
Turning Circle Diameter Wall to Wall	13900	14800	15800	16700	17600	18500	19400	20700	21900

Plated Weights [kg]

	Plated	Design
Gross Vehicle Weight	16000	20100
Gross Combination Weight	0	44000
Front Axle	6000	7100
Rear Axle	10000	13000

Important Notes

Chassis Dimensions

Cab Height: +328 mm for CAB-HSLP, -262 mm for CAB-LDAY, -262 mm for CAB-LSLP, +16 mm for CAB-SLP.
 Front Axle to Back of Cab: +431 mm for CAB-HSLP and CAB-SLP, -69 mm for CAB-LDAY, +425 mm for CAB-LSLP.
 D-measure includes a front clearance of 50 mm and for rigid trucks also a subframe of 100 mm.

Height can vary ± 20 mm for leaf and ± 10 mm for air suspension.
 All dimensions are for unladen chassis and any tag axles down. Chassis height used: CHH-HIGH.
 Rear overhang used for vehicle weight calculation is the maximum rear overhang (N Max.) for selected wheelbase.

Weight and dimensions are based upon the following tyres:
 Front Axle Tyres: 315/80R22.5
 Drive Axle Tyres: 315/80R22.5

Chassis weight includes oil, water, AdBlue, 0 litres fuel and without driver. Kerb weight can vary ± 3%.

Turning diameters are theoretically calculated.

Legal weights can differ from country to country.

For more detailed weight information, including optional equipment weights, ask your Volvo sales contact to enter your specification into the Volvo Weight Information system (WIS).

Do NOT use this drawing for bodybuilding. Refer to Volvo Bodybuilder Instructions and chassis assembly drawing FMX42R3L.

MODEL RANGE

FMX D13 42 Rigid Diesel Rear Leaf FMX 42R 3L

Transport operation

- RC-ROUGH** Rough road conditions: frequent driving on poorly maintained surfaced roads, hard-packed sand or gravel, or other surfaces of good or bad quality.
- RC-SMOOT** Smooth road conditions: at least 95% of the driven distance is on well-maintained or less maintained surfaced roads. Driving may occur on poorly maintained surfaced roads, hard-packed sand, or gravel surfaces of good or bad quality.
- TIPP-PRE** Tipper vehicle preparation
- UNIFORM** Basic platform vehicle

Core components

- CHH-HIGH** Chassis height high - approx. 1000 mm above ground level
- CHH-XHIGH** Chassis height extra high - approx. 1030 mm above ground level
- CDCOPREP** Preparation kit for day cab cut-out (free text CA needed)
- FMX-CREW6** FMX crew cab (free-text CA needed)
- FMX-DAY6** FMX day cab
- FMX-HSL6** FMX Globetrotter, high sleeper cab
- FMX-LDA6** FMX low day cab
- FMX-LSL6** FMX low sleeper cab
- FMX-SLP6** FMX sleeper cab
- EU3** Euro 3 emission level
- EU4SCR** Euro 4 with Selective Catalytic Reduction (SCR)
- EU5SCR-M** Euro 5 with Selective Catalytic Reduction (SCR)
- EU6SCR** Euro 6 with SCR, particulate filter and EGR, Turbo-S
- D13S420A** Diesel engine, Euro 6, 12.8 litres, 420 hp/309 kW, 2100 Nm
- D13S460A** Diesel engine, Euro 6, 12.8 litres, 460 hp/338 kW, 2300 Nm
- D13S500A** Diesel engine, Euro 6, 12.8 litres, 500 hp/368 kW, 2500 Nm
- D13S540A** Diesel engine, Euro 6, 12.8 litres, 540 hp/397 kW, 2600 Nm
- D13A380** Diesel engine, Euro 4, 12.8 litres, 380 hp/280 kW, 1900 Nm
- D13A400** Diesel engine, Euro 3, 12.8 litres, 400 hp/294 kW, 2000 Nm
- D13A420** Diesel engine, Euro 4, 12.8 litres, 420 hp/309 kW, 2100 Nm
- D13A440** Diesel engine, Euro 3, 12.8 litres, 440 hp/324 kW, 2200 Nm
- D13A460** Diesel engine, Euro 4, 12.8 litres, 460 hp/338 kW, 2300 Nm
- D13A480** Diesel engine, Euro 3, 12.8 litres, 480 hp/353 kW, 2400 Nm
- D13A500** Diesel engine, Euro 4, 12.8 litres, 500 hp/368 kW, 2500 Nm
- D13A520** Diesel engine, Euro 3, 12.8 litres, 520 hp/382 kW, 2500 Nm
- D13C380** Diesel engine, Euro 5, 12.8 litres, 380 hp/280 kW, 1900 Nm
- D13C420** Diesel engine, Euro 5, 12.8 litres, 420 hp/309 kW, 2100 Nm
- D13C460** Diesel engine, Euro 5, 12.8 litres, 460 hp/338 kW, 2300 Nm
- D13C500** Diesel engine, Euro 5, 12.8 litres, 500 hp/368 kW, 2500 Nm
- D13C540** Diesel engine, Euro 5, 12.8 litres, 540 hp/397 kW, 2600 Nm
- D13K420** Diesel engine, Euro 6, 12.8 litres, 420 hp/309 kW
- D13K460** Diesel engine, Euro 6, 12.8 litres, 460 hp/338 kW
- D13K500** Diesel engine, Euro 6, 12.8 litres, 500 hp/368 kW
- D13K540** Diesel engine, Euro 6, 12.8 litres, 540 hp/397 kW
- EBR-EPG** Engine brake with exhaust pressure governor
- EBR-EPGC** Exhaust pressure governor with Volvo compression brake
- EBR-VEB** Volvo Engine Brake, VEB (compression brake with exhaust pressure governor, EPG)
- EBR-VEB+** Volvo Engine Brake, VEB+ (high efficiency compression brake with exhaust pressure governor, EPG)
- AT2412** I-Shift automated 12-speed gearbox, 2400 Nm
- AT2612** I-Shift automated 12-speed gearbox, 2600 Nm
- AT2812** I-Shift automated 12-speed gearbox, 2800 Nm
- ATO2612** I-Shift automated 12-speed gearbox with overdrive, 2600 Nm
- ATO3112** I-Shift automated 12-speed gearbox with overdrive, 3100 Nm
- PT2606** Powertronic 6-speed powershift gearbox, 2600 Nm
- ASO-C** One crawler gear
- ASO-ULC** Two crawler gears, one crawler and one ultra-low crawler
- RSH1370F** Rear hub reduction solo axle - axle load 13 tonnes, GCW 70 tonnes, version F
- RSS1344C** Rear single reduction solo axle - axle load 13 tonnes, GCW 44 tonnes, version C
- RSS1344F** Rear single reduction solo axle - axle load 13 tonnes, GCW 44 tonnes, version F
- RSS1352B** Rear single reduction solo axle - axle load 13 tonnes, GCW 52 tonnes, version B

- RSS1370B** Rear single reduction solo axle - axle load 13 tonnes, GCW 70 tonnes, version B
- RSS1370C** Rear single reduction solo axle - axle load 13 tonnes, GCW 70 tonnes, version C
- PTO-HT16** High-torque power take-off 1600 Nm (free-text CA needed)
- PTO-HT20** High-torque power take-off 2000 Nm (free-text CA needed)

Packages

- FP-D13** Fuel economy package for Euro 6 D13 engine
- INFOBASE** Information package, basic (without side display)
- INFOHIGH** Information package, high (with side display)
- SAFEBAS** Active Safety Basic package (outside Europe)
- SAFEBAS2** Active Safety Basic package (outside Europe)
- SAFEPLU2** Active Safety Plus package (outside Europe)
- SAFEPLUS** Active Safety Plus package (outside Europe)

Chassis

- FST-PAR** Two-leaf front parabolic springs (normal stiffness)
- FST-PAR3** Three-leaf front parabolic springs (stiffer than normal)
- FST-PL1** Two-leaf front parabolic springs, lightweight composite support leaf (normal stiffness)
- FAL10.0** Front axle load 10.0 tonnes
- FAL7.1** Front axle load 7.1 tonnes
- FAL7.5** Front axle load 7.5 tonnes
- FAL8.0** Front axle load 8.0 tonnes
- FAL8.5** Front axle load 8.5 tonnes
- FAL9.0** Front axle load 9.0 tonnes
- FSTAB** Front anti-roll bar, normal stiffness
- FSTAB2** Front anti-roll bar, high stiffness
- FSTAB3** Front anti-roll bar, extra-high stiffness
- RAL13** Rear axle load 13 tonnes
- RSTAB1** Rear anti-roll bar, normal stiffness
- ACTST-TO** Volvo Dynamic Steering
- ASFE-BAS** Volvo Dynamic Steering, basic
- ASFE-PS** Volvo Dynamic Steering with Personal Settings
- PSP-FIX** Power steering pump with fixed displacement
- PSP-VAR** Power steering pump with variable displacement
- PSP-VAR2** Power steering pump with variable displacement (extra valve)
- EBS-MED** EBS (Electronic Braking System), Medium package
- EBS-STD** EBS (Electronic Braking System), Standard package
- AUXPARK** Extra parking brake on one axle
- RST-PAR1** Rear parabolic leaf springs
- RST-PAR5** Rear parabolic leaf springs
- FST7070** Frame thickness - web 7.0 mm / flange 7.0 mm
- FST8080** Frame thickness - web 8.0 mm / flange 8.0 mm
- FIL-EEEB** Frame inner liner from end of engine to end of bogie
- FIL-EEEF** Frame inner liner from end of engine to end of frame
- FIL-TXEF** Frame inner liner from transmission cross member to end of bogie
- FIL-TXEF** Frame inner liner from transmission cross member to end of frame
- BBOX-L** Battery box on left-hand side
- BATS-D** Dual battery system (2 vehicle batteries and 2 starter batteries)
- BATS-S** Single battery system (2 batteries)
- 2BAT210C** AGM batteries, 2x210 Ah
- 2BATT170** Batteries, 2x170 Ah
- 2BATT225** Batteries, 2x225 Ah
- BATTAMP** Battery voltmeter and ammeter
- BATTIND** Battery voltmeter, ammeter and battery status gauge with visual alerts
- ADR1** ADR adaptation, 1 switch in dashboard
- ADR2** ADR adaptation, 1 switch in dashboard, 1 outside on back of cab

- Standard Equipment
- Optional Equipment

For more detailed information about cab and powertrain equipment, please refer to separate specification sheets.

For all possible options and combinations of options please consult your Volvo sales contact who can create a specification to match your requirements using the Volvo Sales Support system (VSS).

The factory reserves the right to modify design and change equipment without previous notification. The specification can vary from country to country.

MODEL RANGE

FMX D13 42 Rigid Diesel Rear Leaf FMX 42R 3L

<input type="checkbox"/> MSWI-A	ADR main switch	<input type="checkbox"/> C-RI5050	Coupling Ringfeder 5050A G-150
<input checked="" type="checkbox"/> MSWI-C	Main switch on chassis	<input checked="" type="checkbox"/> C-RO400G	Coupling Rockinger 400 G-150
<input type="checkbox"/> MSWI-R	Key remote controlled main switch	<input type="checkbox"/> C-RO50	Coupling Rockinger 50 mm
<input checked="" type="checkbox"/> R405A71	Right 405-litre, D-shaped aluminium fuel tank, 710 mm high Min volume 255l Max volume 810l	<input type="checkbox"/> C-VBG520	Coupling VBG 5200D
<input checked="" type="checkbox"/> UL-FUEL	Without left side fuel tank Min volume 160l Max volume 730l	<input type="checkbox"/> C-VBG795	Coupling VBG 795V
<input type="checkbox"/> ADTP-L	AdBlue tank on left hand side	<input type="checkbox"/> TOWR-ONE	Brace that can be used for towing in specific situations. The brace is mounted on the end cross member, and if the end cross member is thinner than 8 mm, it will be reinforced. The brace includes a lockable pin and is dimensioned for a 3-tonne centre-axle trailer or a 10-tonne articulated drawbar trailer. It may only be used for short-distance, on-site transport in confined areas and at speeds of a maximum of 30 km/h.
<input checked="" type="checkbox"/> ADTP-R	AdBlue tank on right hand side	<input type="checkbox"/> TREL-PK	Trailer electrical preparation kit (chassis/cab wiring)
<input type="checkbox"/> ADB048	AdBlue tank: usable volume 48 litres, 560 mm high, mounted on chassis side	<input type="checkbox"/> TREL14	14-pin trailer connection
<input checked="" type="checkbox"/> ADB064	AdBlue tank: usable volume 64 litres, 710 mm high, mounted on chassis side	<input type="checkbox"/> TREL15	15-pin trailer connection (ADR certified)
<input type="checkbox"/> ADB068	AdBlue tank: usable volume 68 litres, 560 mm high, mounted on chassis side	<input type="checkbox"/> TREL7	7-pin trailer connection (ISO 24N)
<input type="checkbox"/> ADB083	AdBlue tank: usable volume 83 litres, 560 mm high, mounted on chassis side	<input type="checkbox"/> TREL7-7	2x7-pin trailer connection (ISO 24N+24S, non-ADR)
<input type="checkbox"/> ADB090	AdBlue tank: usable volume 90 litres, 710 mm high, mounted on chassis side	<input type="checkbox"/> TBC-EC	Trailer brake connection, European Community
<input type="checkbox"/> ADB100	AdBlue tank: usable volume 100 litres, 710 mm high, mounted on chassis side	<input type="checkbox"/> TRBR-HCF	Full-pressure, hand-controlled trailer brake check (8 bar)
<input type="checkbox"/> ADB112	AdBlue tank: usable volume 112 litres, 710 mm high, mounted on chassis side	<input type="checkbox"/> TRBR-HCR	Reduced-pressure, hand-controlled trailer brake check (4 bar)
<input type="checkbox"/> ADTC-BF	AdBlue tank cover, silver metallic	<input type="checkbox"/> TRBR-STA	Stationary trailer brake check
<input checked="" type="checkbox"/> FCAP-L	Lockable diesel and AdBlue filler caps	<input type="checkbox"/> TRB-STRE	Stretch brake, trailer brake activation at low speeds to avoid jack-knifing and improve stability
<input checked="" type="checkbox"/> FUFF-AS	Fuel filling anti-spillage device	<input type="checkbox"/> RUP-FOLD	
<input type="checkbox"/> FUFF-ATS	Fuel filling anti-theft and anti-spillage device	<input type="checkbox"/> RFEND-T	Transport mudguard
<input type="checkbox"/> ESH-LEFT	Horizontal silencer, left exhaust outlet	<input type="checkbox"/> RFH-BAS	Basic mudguard installation height on 2nd front axle and rear axles
<input checked="" type="checkbox"/> ESH-REAR	Horizontal silencer, rear exhaust outlet	<input type="checkbox"/> RFH-HIG	High mudguard installation height on 2nd front axle and rear axles
<input type="checkbox"/> ESH-RIGH	Horizontal silencer, right exhaust outlet	<input type="checkbox"/> RFH-LOW	Low mudguard installation height on 2nd front axle and rear axles
<input type="checkbox"/> ESH-VERT	Horizontal silencer, vertical exhaust outlet on right-hand side	<input type="checkbox"/> ATANK-AL	Aluminium air tanks
<input type="checkbox"/> ESV-VERT	Vertical silencer, vertical exhaust outlet on right-hand side	<input checked="" type="checkbox"/> ATANK-ST	Steel air tanks
<input type="checkbox"/> EXST-SSP	Vertical exhaust top pipe, bright polished stainless steel	<input type="checkbox"/> TL-LED	LED tail lamps (tail light, exterior marker light, brake light, hazard warning light, reverse light, rear fog light, licence plate light and reflector)
<input type="checkbox"/> EXST-ST	Vertical exhaust top pipe, aluminised steel	<input checked="" type="checkbox"/> BLIGHT-E	Flashing brake lights will automatically activate in emergency braking. The flashing frequency is 4 Hz and emergency braking is detected if speed exceeds 50 km/h and retardation is 4 m/s ² or more. The function deactivates when retardation is less than 2.5 m/s ² .
<input type="checkbox"/> HS-NAR	Muffler heat shield (EATS), narrow		
<input type="checkbox"/> WHC-FIX1	One non-collapsible wheel chock		
<input type="checkbox"/> WHC-FIX2	Two non-collapsible wheel chocks		
<input type="checkbox"/> WHC-FOL1	One collapsible wheel chock		
<input checked="" type="checkbox"/> WHC-FOL2	Two collapsible wheel chocks		
<input type="checkbox"/> WHCP-F	Wheel chock holder in the front part of the vehicle		
<input type="checkbox"/> WHCP-M	Wheel chock holder in the middle part of the vehicle		
<input type="checkbox"/> WHCP-R	Wheel chock holder in the rear part of the vehicle		
<input checked="" type="checkbox"/> WHCP-T	Wheel chock holder by-packed in cab outer luggage compartment		
<input type="checkbox"/> TB-L80	Tool box on left-hand side, 205-litre - width 730 mm, height 590, depth 595 mm		
<input type="checkbox"/> TB-R80	Tool box on right-hand side, 205-litre - width 730 mm, height 590, depth 595 mm		
<input type="checkbox"/> SUP-BAS	Standard side underrun protection, aluminium		
<input type="checkbox"/> CHAIN-S	Snow chains		
<input type="checkbox"/> HOOK-SC	Snow chain hooks		
<input checked="" type="checkbox"/> TOWF-HD1	One heavy-duty front towing device		
<input type="checkbox"/> TOWMBRH	Towing member, high-mounted in centre of frame		
<input type="checkbox"/> TOWMBRL1	Towing member, low-mounted under frame		
<input type="checkbox"/> TOWMBRM	Towing member, medium-mounted in line with lower frame flange		
<input type="checkbox"/> RFEC-L	Tapered lower rear frame end (for centre axle drawbar)		
<input checked="" type="checkbox"/> RFEC-S	Straight-cut rear frame end		
<input type="checkbox"/> RFEC-U	Upper corner cut on rear frame end (for e.g. tipper, refuse and hook lift applications)		
<input type="checkbox"/> C-RI4040	Coupling Ringfeder 4040A G-150		
<input type="checkbox"/> C-RI4045	Coupling Ringfeder 4045A G-150		

Standard Equipment

Optional Equipment

For more detailed information about cab and powertrain equipment, please refer to separate specification sheets.

For all possible options and combinations of options please consult your Volvo sales contact who can create a specification to match your requirements using the Volvo Sales Support system (VSS).

The factory reserves the right to modify design and change equipment without previous notification. The specification can vary from country to country.

MODEL RANGE

FMX D13 42 Rigid Diesel Rear Leaf FMX 42R 3L

<p><input type="checkbox"/> JACK-15T lowering and a filter in the oil reservoir gives protection from contamination. Height 180-315 mm, weight 7.0 kg Hydraulic jack, 15 tonnes. Low manual pumping force facilitates use in uncomfortable positions. Has a release valve, which permits safe, easy and precise control over rate of lowering and a filter in the oil reservoir gives protection from contamination.</p> <p><input checked="" type="checkbox"/> JACK-20T Height 225-438 mm, weight 9.4 kg Hydraulic jack, 20 tonnes. Low manual pumping force facilitates use in uncomfortable positions. Has a release valve, which permits safe, easy and precise control over rate of lowering and a filter in the oil reservoir gives protection from contamination. For FM: Height 190-325 mm, weight 10.5 kg For FH: height 240-467 mm, weight 13.3 kg</p> <p><input checked="" type="checkbox"/> TOOLKIT This kit consists of a tool bag (case) including the following tools:</p> <ul style="list-style-type: none"> • Combination screwdriver. – 1 screwdriver handle – 1 blade, Philips/flat blade – 1 blade, Torx T10/Torx T20 – 1 blade, Torx T25/Torx T27 – 1 blade, Torx T30/Torx T40 • Socket wrench. • Adjustable pliers. • Allen key. • Adjustable spanner. • Hammer. <p><input checked="" type="checkbox"/> INFLAHOS Tyre inflation hose 18 m. The air is supplied by a chassis-mounted pneumatic outlet (must be ordered separately).</p> <p><input type="checkbox"/> GAUGE-TP Tyre pressure gauge</p>	<p><input type="checkbox"/> 24A180BL Alternator 180 Ampere</p> <p><input type="checkbox"/> 24AL110B Alternator 110 Ampere</p> <p><input type="checkbox"/> 24AL150B Alternator 150 Ampere</p> <p><input type="checkbox"/> CCV-C Closed crankcase ventilation</p> <p><input type="checkbox"/> CCV-O Open crankcase ventilation</p> <p><input checked="" type="checkbox"/> CCV-OX Open extended crankcase ventilation with oil separator and maintenance-free gas centrifuge</p> <p><input type="checkbox"/> FUEQ-EH Fuel line electric heater</p> <p><input type="checkbox"/> AF-E Electrically heated fuel filter</p> <p><input checked="" type="checkbox"/> AF-R Hot fuel recirculation heated fuel filter</p> <p><input checked="" type="checkbox"/> FUEFE2LW Large engine-mounted dual fuel filter with water separator and drain</p> <p><input type="checkbox"/> FUEFE2SW Small engine-mounted dual fuel filter with water separator and drain (for good fuel quality)</p> <p><input checked="" type="checkbox"/> EST-AID Engine intake air heater</p> <p><input type="checkbox"/> 220EBH15 Engine block heater, 220 V, 1.5 kW</p> <p><input type="checkbox"/> PTER-100 Rear engine, clutch-independent PTO, flange connection, DIN 100/ISO 7646</p> <p><input type="checkbox"/> PTER-DIN Rear engine, clutch-ind. PTO, splined shaft groove (fem), close-coupled pump DIN 5462/ISO7653</p> <p><input type="checkbox"/> PTER1400 Rear engine, clutch-independent PTO, flange connection, SAE 1410/ISO 7647</p> <p><input type="checkbox"/> HPE-F101 Engine-mounted hydraulic pump F1-101, fixed displacement, single flow</p> <p><input type="checkbox"/> HPE-F41 Engine-mounted hydraulic pump F1-41, fixed displacement, single flow</p> <p><input type="checkbox"/> HPE-F51 Engine-mounted hydraulic pump F1-51, fixed displacement, single flow</p> <p><input type="checkbox"/> HPE-F61 Engine-mounted hydraulic pump F1-61, fixed displacement, single flow</p> <p><input type="checkbox"/> HPE-F81 Engine-mounted hydraulic pump F1-81, fixed displacement, single flow</p> <p><input type="checkbox"/> HPE-T53 Engine-mounted hydraulic pump F2-53/53, fixed displacement, twin flow</p> <p><input type="checkbox"/> HPE-T70 Engine-mounted hydraulic pump F2-70/35, fixed displacement, twin flow</p> <p><input type="checkbox"/> HPE-V45 Engine-mounted hydraulic pump VP1-45, variable displacement, single flow</p> <p><input type="checkbox"/> HPE-V75 Engine-mounted hydraulic pump VP1-75, variable displacement, single flow</p> <p><input type="checkbox"/> PTPT-D Gearbox PTO, 1 front/upper connection DIN 5462/ISO 7653 for plug-in pump, 850 Nm</p> <p><input type="checkbox"/> PTPT-F Gearbox PTO, 1 front/upper rear flange connection SAE 1410/ISO 7647 for propshaft, 850 Nm</p> <p><input type="checkbox"/> PTR-D Gearbox low-speed PTO, 1 rear connection DIN 5462/ISO 7653 for plug-in pump, 1000 Nm</p> <p><input type="checkbox"/> PTR-DH Gearbox high-speed PTO, 1 rear connection DIN 5462/ISO 7653 for plug-in pump, 600 Nm</p> <p><input type="checkbox"/> PTR-DM Gearbox medium-speed PTO, 1 rear connection DIN 5462/ISO 7653 for plug-in pump, 600 Nm</p> <p><input type="checkbox"/> PTR-F Gearbox low-speed PTO, 1 rear flange connection SAE 1410/ISO 7647 for propshaft, 1000 Nm</p> <p><input type="checkbox"/> PTR-FH Gearbox high-speed PTO, 1 rear flange connection SAE 1310/ISO 7647 for propshaft, 600 Nm</p> <p><input type="checkbox"/> PTR-FL Gearbox low-speed PTO, 1 rear flange connection SAE 1310/ISO 7647 for propshaft, 600 Nm</p> <p><input type="checkbox"/> PTRD-D Gearbox high-speed PTO, 1 rear + 1 front DIN 5462/ISO 7653 for plug-in pumps, 870 Nm</p> <p><input type="checkbox"/> PTRD-D1 Gearbox high-speed PTO, 1 rear SAE 1410/ISO 7647, 1 front DIN5462/ISO7653, 870 Nm</p> <p><input type="checkbox"/> PTRD-D2 Gearbox PTO, 2 rear hi/lo-speed SAE1310/1410/ISO7647, 1 front hi-speed DIN5462/ISO7653, 870/1000 Nm</p> <p><input type="checkbox"/> PTRD-F Gearbox high-speed PTO, 1 rear flange connection SAE 1410/ISO 7647 for propshaft, 870 Nm</p> <p><input type="checkbox"/> HPG-F101 Gearbox-mounted hydraulic pump F1-101, fixed displacement, single flow</p> <p><input type="checkbox"/> HPG-F41 Gearbox-mounted hydraulic pump F1-41, fixed displacement, single flow</p> <p><input type="checkbox"/> HPG-F51 Gearbox-mounted hydraulic pump F1-51, fixed displacement, single flow</p>
<p><input checked="" type="checkbox"/> Powertrain equipment</p> <p><input type="checkbox"/> TRAP-HD Reinforced gearbox range housing</p> <p><input checked="" type="checkbox"/> DRM-BE I-Shift drive modes Economy, Standard and Performance</p> <p><input type="checkbox"/> DRM-E I-Shift drive mode Economy</p> <p><input checked="" type="checkbox"/> PVT-MTM I-See</p> <p><input checked="" type="checkbox"/> CRUIS-E I-Cruise cruise control, I-Roll included</p> <p><input type="checkbox"/> CRUIS-E5 I-Torque cruise control, optimized for fuel economy, I-Roll included</p> <p><input type="checkbox"/> AMSO-AUT I-Shift manual gear shifting available in automatic mode, including kick-down function</p> <p><input type="checkbox"/> AVO-ENH I-Shift with enhanced software for construction and off-road applications</p> <p><input type="checkbox"/> APF-ENH I-Shift with enhanced PTO functions (Auto neutral for p. brake/Reverse inhibit/Split box connection)</p> <p><input type="checkbox"/> RET-TH Gearbox-mounted, hydrodynamic oil retarder</p> <p><input type="checkbox"/> RET-TP Gearbox-mounted Powertronic primary retarder</p> <p><input type="checkbox"/> TC-HWO Cooler for hydraulic gearboxes - water/oil</p> <p><input type="checkbox"/> TC-MAOH2 Extra high performance cooler for manual/I-shift gearboxes - air/oil</p> <p><input checked="" type="checkbox"/> TC-MWO Basic performance cooler for manual/I-Shift gearboxes - water/oil</p> <p><input type="checkbox"/> TC-MWOH2 High performance cooler for manual/I-Shift gearboxes - water/oil</p> <p><input type="checkbox"/> 2COM1080 Dual-cylinder air compressor 704 cc, 1080 l/min</p> <p><input type="checkbox"/> 2COM1100 Dual-cylinder air compressor 760 cc, 1100 l/min</p> <p><input checked="" type="checkbox"/> 2COMP870 Dual-cylinder, two-stage air compressor 560 cc, 870 l/min</p> <p><input type="checkbox"/> 2COMP900 Dual-cylinder air compressor 636 cc, 900 l/min</p> <p><input type="checkbox"/> CLU-AIRC Air compressor clutch with automatic declutching when not needed, to save fuel</p> <p><input checked="" type="checkbox"/> AIRIN-HI High air inlet</p> <p><input type="checkbox"/> AIRIN-LO Low air inlet</p> <p><input type="checkbox"/> ACL1ST-S Air cleaner with extra filter element</p> <p><input checked="" type="checkbox"/> 24A110BL Alternator 110 Ampere</p> <p><input type="checkbox"/> 24A150BL Alternator 150 Ampere</p>	
<p><input checked="" type="checkbox"/> Standard Equipment <input type="checkbox"/> Optional Equipment</p>	

For more detailed information about cab and powertrain equipment, please refer to separate specification sheets.

For all possible options and combinations of options please consult your Volvo sales contact who can create a specification to match your requirements using the Volvo Sales Support system (VSS).

The factory reserves the right to modify design and change equipment without previous notification. The specification can vary from country to country.

MODEL RANGE

FMX D13 42 Rigid Diesel Rear Leaf FMX 42R 3L

<input type="checkbox"/> HPG-F61	Gearbox-mounted hydraulic pump F1-61, fixed displacement, single flow	<input checked="" type="checkbox"/> WARNVEST	Reflective vest, fulfils European standard EN 471 class 2
<input type="checkbox"/> HPG-F81	Gearbox-mounted hydraulic pump F1-81, fixed displacement, single flow	<input checked="" type="checkbox"/> WARNTRI2	Two warning triangles
Cab Interior, Driving			
<input checked="" type="checkbox"/> STWPOS-L	Left-hand drive	<input type="checkbox"/> AIDKIT	First aid kit containing sticking plaster, washing and drying pads, compresses, elastic bandages, respiratory mask, gloves and scissors.
<input type="checkbox"/> STWPOS-R	Right-hand drive	<input type="checkbox"/> AIDKIT1B	First aid kit containing sticking plaster, compresses, elastic bandages, gloves, scissors, triangular bandage, bandaging cloths, adhesive tape and rescue sheet (German requirements)
<input type="checkbox"/> STWM-LE	Steering wheel material leather	<input type="checkbox"/> WARNLAMP	Portable amber and white warning lamp with batteries
<input type="checkbox"/> STGW-AD2	Manually adjustable steering wheel with neck tilt	<input type="checkbox"/> LAMP-IN	Inspection lamp with 10 m cable
<input checked="" type="checkbox"/> STGW-ADJ	Manually adjustable steering wheel	<input type="checkbox"/> BULBKIT	Bulb and fuse kit
<input type="checkbox"/> AIRBAG	Airbag on driver's side	<input type="checkbox"/> WRITEPAD	Writing pad with paper clamp
<input type="checkbox"/> DRC-AMII	Regeneration control for DPF, initiation: automatic or manual, inhibition: manual	Cab Interior, Living	
<input checked="" type="checkbox"/> DRC-AUTO	Regeneration control for DPF, fully automatic (in motion)	<input type="checkbox"/> DST-CF1	Driver's seat Comfort
<input type="checkbox"/> 1DAYB	One-day analogue tachograph, basic	<input checked="" type="checkbox"/> DST-CF4	Driver's seat Comfort, belt in seat
<input checked="" type="checkbox"/> TAC-PK2	Preparation kit for tachograph	<input type="checkbox"/> DST-CF5	Driver's seat Comfort, belt in seat, heated, adjustable lumbar&side support, extendable seat cushion
<input type="checkbox"/> ARSL	Additional road speed limiter control (switch in dashboard)	<input type="checkbox"/> DST-CF6	Driver's seat Comfort, belt in seat, heated, ventilated
<input checked="" type="checkbox"/> ACCLF-D	Volvo torque assist - Disabled	<input type="checkbox"/> DST-LUX1	Driver's seat Deluxe, belt in seat, heated, ventilated
<input type="checkbox"/> ACCLF-E	Volvo torque assist - Enabled	<input type="checkbox"/> SBD-RED	Red safety belts, passenger and driver seats
<input checked="" type="checkbox"/> ESP-BAS1	ESP for tractor combinations with ABS/EBS or rigid vehicles/combinations with std center of gravity	<input type="checkbox"/> SBPRE-DS	Driver's seat belt pretensioner
<input type="checkbox"/> ESPC-RO	Electronic stability program functionality control, switch - On/Reduced/Off	<input type="checkbox"/> PST-BAS1	Passenger seat Basic, non-suspended
<input type="checkbox"/> HWSS-ACB	Adaptive cruise control with forward collision warning (stationary and moving objects) and emergency braking. Using both radar and camera to collect info.	<input checked="" type="checkbox"/> PST-CF4	Passenger seat Comfort, suspended, belt in seat
<input type="checkbox"/> HWSS-FCB	Collision Warning with Emergency Brake (forward)	<input type="checkbox"/> PST-CF5	Passenger seat Comfort, suspended, belt in seat, electrically heated
<input type="checkbox"/> LSS-DW	Lane Keeping Support - lane departure warning	<input type="checkbox"/> PST-STD2	Passenger seat Regular, non-suspended
<input type="checkbox"/> LSS-DW3	Pilot Assist - active, continuous lane keeping	<input type="checkbox"/> PST-STD4	Passenger seat Regular, suspended
<input type="checkbox"/> LCS2	Side Collision Avoidance Support, passenger side collision warning (sound and visual information), passenger side	<input type="checkbox"/> SBPRE-PS	Passenger seat belt pretensioner
<input type="checkbox"/> LCS3	Active Side Collision Avoidance Support, Collision Warning (sound and visual information) with Emergency Brake, passenger side	<input type="checkbox"/> ARMRE-BB	Two armrests on both driver's and passenger seats
<input type="checkbox"/> LCS5	Active Side Collision Avoidance Support: Collision Warning for both sides (sound and visual information) and Emergency Brake for passenger side	<input type="checkbox"/> ARMRE-DB	Two armrests on driver's seat
<input type="checkbox"/> DAS-W	Driver Alert Support	<input type="checkbox"/> ARMRE-PB	Two armrests on passenger seat
<input type="checkbox"/> RSENS-W	Wipers rain sensor	<input type="checkbox"/> ARU-BAS	Vinyl armrest upholstery
<input type="checkbox"/> CU-ECC	Automatic climate control with sun sensor	<input type="checkbox"/> ARU-LEA	Leather armrest upholstery
<input type="checkbox"/> CU-ECC2	Automatic climate control with sun sensor, humidity sensor, air quality sensor and carbon filter	<input checked="" type="checkbox"/> FMAT-RUB	Black rubber floor mats
<input checked="" type="checkbox"/> CU-MCC	Manual climate control (heater/cooler function)	<input type="checkbox"/> FMAT-TX2	Two textile (dark grey on FH/FM/FMX, black on FH16) and two black rubber floor mats
<input checked="" type="checkbox"/> IGT-BUT	Push button ignition	<input type="checkbox"/> LBK70	Lower fixed bed 2000x700 mm, non-foldable, safety net included
<input type="checkbox"/> IMMOBIL	Immobiliser	<input type="checkbox"/> MATL-FI	Mattress lower bed firm, pocket springs, recommended for body weight over 100 kg
<input type="checkbox"/> ALARM-E	Anti-theft alarm for cab, superstructure and trailer	<input type="checkbox"/> MATL-SF	Mattress lower bed semi-firm, pocket springs, recommended for body weight up to 100 kg
<input type="checkbox"/> PHONE-PK		<input type="checkbox"/> OLMAT-BA	Overlay mattress, 28 mm thick black textile
<input type="checkbox"/> ISUNS-BS	Side interior roller blind on both sides, manually manoeuvred	<input type="checkbox"/> OLMAT-PR	Overlay mattress Premium, 35 mm thick black textile
<input checked="" type="checkbox"/> ISUNS-DS	Side interior roller blind on driver's side, manually manoeuvred	<input type="checkbox"/> TBK60F	Fixed top bed 600x1900 mm, foldable up to 52° (depending on cab & upper storage), net included
<input type="checkbox"/> ISUNF-B		<input type="checkbox"/> TBK70F	Fixed top bed 700x1900 mm, foldable up to 52° (depending on cab & upper storage), net included
<input type="checkbox"/> ISUNF-MD		<input type="checkbox"/> PH-CAB2	Cab parking heater, 2 kW
<input type="checkbox"/> ISUNF-RE	Interior roller blind, integrated in front shelf, electrically manoeuvred	<input type="checkbox"/> PH-ENGCA	Engine and cab parking heater
<input checked="" type="checkbox"/> ISUNF-RM	Interior roller blind, integrated in front shelf, manually manoeuvred	<input type="checkbox"/> PH-SS	Short stop cab heater
<input type="checkbox"/> ADFS	Two extra DIN slots in front shelf, 165x40x180 mm (W x H x D)	<input type="checkbox"/> SLCP-BAS	Basic sleeper control panel (interior light, parking heater, roof hatch, door locks)
<input checked="" type="checkbox"/> BUPALARM	Reversing warning	<input type="checkbox"/> ETSB-F	Storage at front of engine tunnel
<input type="checkbox"/> REMC-MF	Wireless remote control, multi-functional	<input type="checkbox"/> ETSB-FR	Storage at back of engine tunnel and at back, against rear cab wall
<input checked="" type="checkbox"/> FIREXT3S	Fire extinguisher 3 kg, Swedish/English decal	<input type="checkbox"/> ETSB-FRS	Storage at front of engine tunnel and immersed in RH side of tunnel
		<input type="checkbox"/> ETSB-FS	Storage at back of engine tunnel, at back against rear cab wall and immersed in RH side of tunnel
		<input type="checkbox"/> ETSB-R	Storage at back of engine tunnel, against rear cab wall

Standard Equipment Optional Equipment

For more detailed information about cab and powertrain equipment, please refer to separate specification sheets.

For all possible options and combinations of options please consult your Volvo sales contact who can create a specification to match your requirements using the Volvo Sales Support system (VSS).

The factory reserves the right to modify design and change equipment without previous notification. The specification can vary from country to country.

MODEL RANGE

FMX D13 42 Rigid Diesel Rear Leaf FMX 42R 3L

<input type="checkbox"/> ETSB-RS	Storage immersed in RH side of engine tunnel and at back against rear cab wall	<input checked="" type="checkbox"/> AMIR-F20	Front close-view mirror above windscreen, passenger side (radius 200 mm)
<input type="checkbox"/> ETSB-S	Storage immersed in RH side of engine tunnel	<input checked="" type="checkbox"/> SUNV-H	Exterior front sun visor, transparent dark-grey
<input type="checkbox"/> RUS-BAS	Storage in rear upper cab, 154 litres (300 mm high)	<input type="checkbox"/> AD-ROOF	Roof air deflector
<input type="checkbox"/> RUS-HIG	Storage in rear upper cab, 245 litres (440 mm high)	<input type="checkbox"/> AD-SIDES	Cab side air deflectors, short
<input type="checkbox"/> REF-ICPK	Preparation kit for refrigerator	<input checked="" type="checkbox"/> HL-BASIC	Halogen H7 headlamps
<input type="checkbox"/> REFR-RUS	Refrigerator 28-litre, with dividers, on rear upper wall	<input type="checkbox"/> HL-LED	LED headlamps
<input type="checkbox"/> MICRO-PK	Preparation kit for microwave oven (electrical cables to front shelf)	<input type="checkbox"/> HL-LED3	LED headlamps with adaptive high beam
<input checked="" type="checkbox"/> BOTH-D	One bottle holder under dashboard centre section	<input type="checkbox"/> HBDA-A	Automatic main beam deactivation and reactivation
<input type="checkbox"/> COFMA-PK	Preparation kit (24 V) for coffee maker	<input type="checkbox"/> HL-CLEAN	High-pressure headlamp cleaner
<input checked="" type="checkbox"/> INLI-BAS	Interior white light with smooth light transition at on/off, no dimming	<input type="checkbox"/> HLP-ST	Steel headlamp protectors (steel and plastic for FMX)
<input type="checkbox"/> INLI-NL	Interior white and red (night) light with smooth light transition at on/off	<input type="checkbox"/> HLP-ST2	Steel and plastic headlamp protectors with steel grating for extra rough applications
<input type="checkbox"/> INLI-NLD	Interior white and red (night) light with smooth light transition at on/off and dimmer	<input type="checkbox"/> HL-ADJ	Manually adjustable headlamp beam
<input type="checkbox"/> ARL-FLEX	Two (driver and passenger side) LED reading lamps with flexible arms, mounted on sidewalls	<input checked="" type="checkbox"/> DRL-LED	Daytime running lamps (LED)
<input checked="" type="checkbox"/> RH-EE	Roof skylight/emergency exit, tinted glass (not a hatch)	<input type="checkbox"/> UDRL	Without daytime running lamps (LED)
<input type="checkbox"/> RH-ER	Roof hatch, electrically operated, steel, with emergency exit handle	<input type="checkbox"/> ASL-RF2	Two LED spot lamps in sign box
<input type="checkbox"/> RH-ETR	Roof hatch, electrically operated, tinted glass, rear opening 50 mm	<input type="checkbox"/> IDLAMP-A	Three amber identification lamps on mid front roof
<input type="checkbox"/> RH-MTR	Roof hatch, manually operated, tinted glass, rear opening 50 mm	<input type="checkbox"/> IDLAMP-W	Three white identification lamps on mid front roof
<input checked="" type="checkbox"/> GLAS-TIN	Tinted windows	<input type="checkbox"/> IDLMPSW	Switch in cab for identification lamps
<input type="checkbox"/> GLAS-UNT	Untinted windows	<input type="checkbox"/> BEACOA2F	Two amber LED beacons on cab front roof
<input type="checkbox"/> SWIND-BS	Rear side window on both sides	<input type="checkbox"/> BEACOA2R	Two amber LED beacons on cab rear roof
<input type="checkbox"/> SWIND-PS	Rear side window on passenger side	<input type="checkbox"/> BEACON-P	Preparation kit for roof beacons
<input type="checkbox"/> AWIND-RF	Fixed window in back of cab (without curtains)	<input type="checkbox"/> BEACONA4	Four amber LED beacons on roof - two on front, two on rear
<input type="checkbox"/> VANMIR	Vanity mirror in front shelf lid	<input type="checkbox"/> CABPT-R1	One front cab roof pass-through on passenger side
<input type="checkbox"/> AS-FUS	One extra shelf in each of the two front upper storage compartments	<input type="checkbox"/> CABPT-R2	Two front cab roof pass-throughs, one on each side
<input type="checkbox"/> INFOT-PK	Preparation kit (bracket, security straps, and antenna cable) for mounting of TV above driver door	<input type="checkbox"/> SPOTP-F	Preparation kit for spot lamp in cab front, max 280 W
		<input type="checkbox"/> SPOTP-R	Preparation kit for spot lamp in cab roof, max 280 W
		<input type="checkbox"/> SPOTP-RF	Preparation kit for spot lamp in cab roof and front, max 280 W
		<input type="checkbox"/> ROS-IL	Roof sign illumination
		<input type="checkbox"/> ROS-IL2	Preparation kit for installation of roof sign illumination
		<input type="checkbox"/> ROS-ILP	Wiring kit for roof sign illumination
		<input type="checkbox"/> CSGN-FMX	FMX decal in the roof sign box
		<input checked="" type="checkbox"/> HORN-F1S	Single-tone Jericho horn behind grille, operated by steering wheel buttons
		<input type="checkbox"/> HORN-R2S	Two chromed single-tone air horns on the roof, operated by steering wheel buttons
		<input type="checkbox"/> ANT-CBR	Preparation kit for communication/CB radio: roof-mounted single antenna and wiring
		<input type="checkbox"/> ACCBR-AP	Accessory brackets mounted on front roof, midroof and rear roof
		<input type="checkbox"/> ACCBR-F	Accessory bracket mounted on front roof
		<input type="checkbox"/> ACCBR-FM	Accessory brackets mounted on front roof and midroof
		<input type="checkbox"/> ACCBR-FR	Accessory brackets mounted on front and rear roof
		<input type="checkbox"/> ACCBR-M	Accessory bracket mounted on midroof
		<input type="checkbox"/> ACCBR-R	Accessory brackets mounted on mid-roof and rear roof
		<input type="checkbox"/> ACCBR-RM	Accessory bracket mounted on rear roof
			Superstructure preparations
		<input type="checkbox"/> SRWL-2RW	2 white LED reverse/work lamps, rear-facing on rear chassis, 3-pos switch (On/Off/Reverse auto On)
		<input type="checkbox"/> SRWL-PK	Preparation kit for LED reverse/work lamps at rear chassis, 3-pos switch (On/Off/Reverse auto On)
		<input type="checkbox"/> SWL-2FW	2 white LED work lamps at front of chassis, and a 2-position switch (On/Off)
		<input type="checkbox"/> SWL-2RW	2 white LED work lamps, rearward-facing on rear chassis (LH/RH side)
		<input type="checkbox"/> SWL-4W	4 white LED work lamps on chassis (2 front, 2 rear) and a flexible switch (On/Off)
		<input type="checkbox"/> SWL-PK	Preparation kit for LED work lamps on chassis, with a 2-pos switch (On/Off)
		<input type="checkbox"/> WL-CHPK	Preparation kit for work lamp (switch with cable to frame, by gearbox)
<input checked="" type="checkbox"/> Standard Equipment		<input type="checkbox"/> Optional Equipment	

For more detailed information about cab and powertrain equipment, please refer to separate specification sheets.

For all possible options and combinations of options please consult your Volvo sales contact who can create a specification to match your requirements using the Volvo Sales Support system (VSS).

The factory reserves the right to modify design and change equipment without previous notification. The specification can vary from country to country.

MODEL RANGE

FMX D13 42 Rigid Diesel Rear Leaf FMX 42R 3L

- WLC-H2A**
- WLC-H2W** 2 white LED work lamps, high-mounted on back of cab (switch included)
- WLC-PKCH** Preparation kit (cables and switch) for work lamp inside or outside superstructure
- WLC-PKH** Preparation kit (cables and switch) for high-mounted work lamps on back of cab
- WLC-PKL** Preparation kit (cables and switch) for low-mounted work lamps on back of cab
- WLC-PKLH** Preparation kit (cables and switch) for low- and high-mounted work lamps on back of cab
- ECBB-BAS** Body builder electrical centre, prepared for body builder module
- ECBB-HIG** Body builder electrical centre, body builder module with 14 high and 4 low digital outlets
- **ECBB-MED** Body builder electrical centre, body builder module with 7 high and 4 low digital outlets
- BBCHAS1** One 7-pole bodywork connector on chassis
- BBCHAS3** Three 7-pole bodywork connectors on chassis
- BEPR-T2** Bodywork electrical and software preparation for tipper with remote control
- EXSTER** Support for external steering control via body builder module
- **TD-LED** TD-LED detects trailers that have either bulb lights or LED lights. Continuous monitoring of the trailer connection status allows optimization of gear shifting and systems like Electronic Stability Program (ESP). Full diagnostics are available for bulb lights, while for LED lights the system cannot identify an "open circuit".
- FRFS-BS** Frame rail free space on both sides to give space for crane legs or other equipment
- FBA-BTF** Front body attachment brackets, lower, for flexible body
- FBA-BTSF** Front body attachment brackets, lower, for semi-flexible body
- **HBA-FSFB** Holes for body attachments, flexible/semi-flexible body
- HBA-SB** Holes for body attachments, stiff body
- RBA-T2** Rear body attachment brackets, lower
- CRANEPK1** Frame-mounted crane interface plates, up to 10 tonne-metres
- CRANEPK2** Frame-mounted crane interface plates, up to 20 tonne-metres
- CRANEPK4** Frame-mounted crane interface plates, up to 40 tonne-metres
- AUXL-SPK** Preparation kit (wiring and a switch in dashboard) for snow plough lamps
- TAILPRE2** Tail lift preparation kit, wireless remote operation
- TAILPREP** Tail lift preparation kit
- AESW2** 2 bistable bodywork switches (marked AUX1/AUX2)
- AESW2PK** 2 bistable bodywork switches (marked AUX1/AUX2) + prepared for 4 bistable switches (dummy switches)
- **AUXSW-4** Hardwiring for 4 extra switches (from body builder electrical centre to instrument panel)

Services

- **TGW-4GWL** Telematics gateway with 4G modem and WLAN
- TGW-PK** Telematics gateway preparation kit
- **FMS-PK** Fleet management system gateway, preparation kit
- TSRS2** Road sign recognition (not ISA compliant)