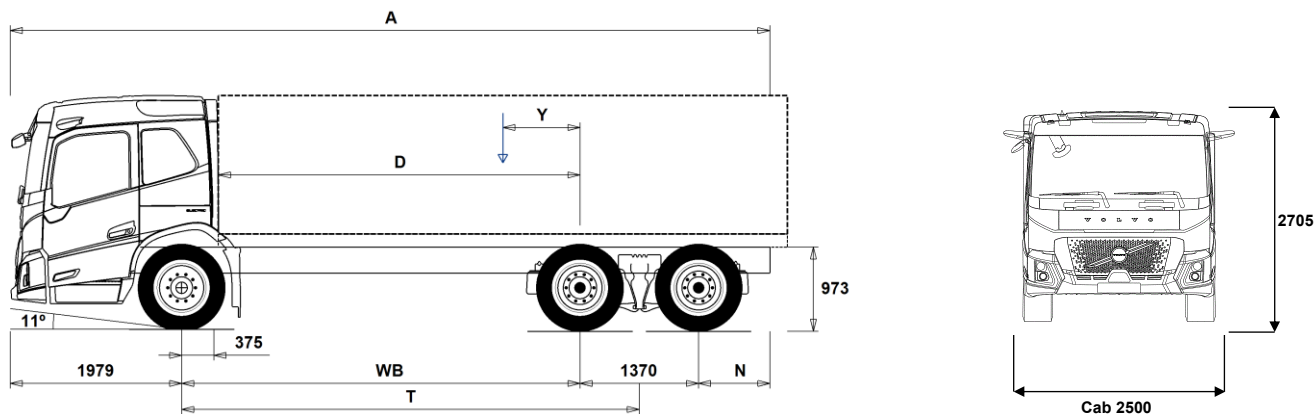


MODEL RANGE

NEW FM Low Entry Battery Electric 6x4 Rigid - Full Air Suspension FML 64R E



Chassis Dimensions [mm]

WB Wheelbase	4600	4900	5200	5600
A Overall Chassis Length	8774	9074	9374	9774
D Center of rear axle to front of body	4175	4475	4775	5175
N Rear Overhang	825	825	825	825
T Theoretical Wheelbase	5285	5585	5885	6285
Y Center of Gravity for Payload (Min.)	-426	-432	-438	-452
Y Center of Gravity for Payload (Max.)	-258	-254	-251	-251

Chassis Weights [kg]

Front Axle	6225	6285	6340	6420
Rear Bogie	4025	3990	3960	3940
Kerb Weight	10250	10275	10300	10360
Payload (including body, driver, fuel, etc.)	15750	15725	15700	15640

Turning Diameter [mm]

Turning Circle Diameter Kerb to Kerb	18200	19100	20000	21300
Turning Circle Diameter Wall to Wall	20300	21200	22100	23400

Plated Weights [kg]

	Plated	Design
Gross Vehicle Weight	26000	29000
Gross Combination Weight	32000	32000
Front Axle	7500	8000
Rear Bogie	19000	21000

Important Notes

Chassis Dimensions

Cab Height: +374 mm for CAB-HCR2.
 D-measure includes a front clearance of 50 mm and for rigid trucks also a subframe of 100 mm.
 Height can vary ± 20 mm for leaf and ± 10 mm for air suspension.
 All dimensions are for unladen chassis and any tag axles down.

Weight and dimensions are based upon the following tyres:

Front Axle Tyres: 315/70R22.5
 Drive Axle Tyres: 315/70R22.5

Chassis weight includes oil, water, AdBlue, 0 litres fuel and without driver. Kerb weight can vary ± 3%.

Turning diameters are theoretically calculated.

Legal weights can differ from country to country.

For more detailed weight information, including optional equipment weights, ask your Volvo sales contact to enter your specification into the Volvo Weight Information system (WIS).

Do NOT use this drawing for bodybuilding. Refer to Volvo Bodybuilder Instructions and chassis assembly drawing FML64RE.

MODEL RANGE

NEW FM Low Entry Battery Electric 6x4 Rigid - Full Air Suspension FML 64R E

TRUCK USE

- **RC-SMOOT** Road Conditions - Smooth
- **GARB-PRE** Transport Adaption - Refuse preparation
- **TIPP-PRE** Transport Adaption - Tipper vehicle preparation
- **UNIFORM** Transport Adaption - Basic platform vehicle

CORE COMPONENTS

- **CHH-MED** Chassis height - Medium - for loading heights check the unique BEP chassis drawing attached to this quote
- **RADD-GR** RADD-GR - 6x4/8x4 Air - High
- **FMLE-CR** Cab - Low entry with steel safety cage design
Designed and built to Swedish impact and ECE R29 regulations
- **FMLE-HCR** Cab - Low entry high roof with steel safety cage design
Designed and built to Swedish impact and ECE R29 regulations
- **ESS360K** Energy storage system - Total energy 360 kWh
- **EPT2412** Gearbox - I-shift Automated 12-speed - suitable for gross train weights up to 44tonne
- **NEM2** Electric Motors - 2 - Output 330 kW - 450hp continuous power
- **TAAXLIFT** Rear axle lift for double drive bogie
CONTACT VOLVO SALES ENGINEERING to check lift capability
- **RTS2370A** Drive axles - RTS2370A 23-tonne single reduction tandem with differential and cross locks*- design GCW 70tonne
* Cross locks replaced by a dog clutch if tandem axle lift is specified

PACKAGES

- **INFOHIGH** Media Information Platform - Medium level
- **DRIV-EXT** Cab package - Drive Extended
- **DRIV-SEL** Cab Package - Drive Select
- **RANGOP5** Range Optimisation Package - 5 years prepaid subscription

CHASSIS

- **FST-AIR** Front suspension type - Air
- **FSL-BAS** Front suspension levelling - basic stroke
- **FAL10.0** Front axle design capacity - 10 tonne - check tyre capacity
- **FAL8.0** Front axle design capacity - 8.0 tonne - check tyre capacity
- **FAL8.5** Front axle design capacity - 8.5 tonnes
- **FAL9.0** Front axle design capacity - 9.0 tonne - check tyre capacity
- **FALIM** Front axle load limiter
- **FSTAB2** Front anti-roll bar - Medium stiffness
- **FSTAB3** Front anti-roll bar - High stiffness
- **RAL21** Rear bogie design capacity - 21 tonne
- **RAL23** Rear bogie design capacity - 23 tonne
- **RSTAB1** Rear anti-roll bar - Normal stiffness
- **RSTAB3** Rear anti-roll bar - Stiff
- **RALIM105** Rear-axle load limiter - 10.5 tonne - speed controlled
- **RALIM115** Rear-axle load limiter -11.5 tonne - speed controlled
- **RALIM13** Rear-axle load limiter - 13 tonne
- **RALIM95** Rear-axle load limiter - 9.5 tonne
- **ASF-DL1** Air suspension with 1 driving level
- **ACTST-TO** Active Steering- Volvo Dynamic Steering - VDS - with extra electronic pump and torque overlay
- **ASFE-BAS** Active steering feature - Basic - Volvo Dynamic Steering - VDS - only
- **ASFE-OG** Active steering feature - Volvo Dynamic Steering - VDS - with stability assist - oversteer
- **ASFE-PO** Active steering feature - Volvo Dynamic Steering - VDS - with personal settings and stability assist
- **ASFE-PS** Active steering feature - Volvo Dynamic Steering - VDS - with personal settings

■ Standard Equipment □ Optional Equipment

For more detailed information about cab and powertrain equipment, please refer to separate specification sheets.

For all possible options and combinations of options please consult your Volvo sales contact who can create a specification to match your requirements using the Volvo Sales Support system (VSS).

The factory reserves the right to modify design and change equipment without previous notification. The specification can vary from country to country.

- **AUXPARK** Auxiliary parking brake - Additional spring brakes
- **RST-AIR** Rear suspension type - Air
- **FRAME300** Chassis frame section external height - 300 mm
- **FST8080** Chassis frame thickness - 8 mm web and flange
- **FIL-EEEB** Chassis frame inner liner - From the end of the engine to the end of the bogie
- **FIL-EEEF** Chassis frame inner liner - From the end of the engine to end of the frame
- **FIL-FBEB** Chassis frame inner liner - Over the rear bogie
- **FIL-FBEF** Chassis frame inner liner - From the front of bogie to the end of the frame
- **FIL-TXEB** Chassis frame inner liner - From gearbox member to the end of the bogie
- **FIL-TXEF** Chassis frame inner liner - From gearbox member to the end of the frame
- **BATTAMP** Battery management - Voltage and current gauge
- **BATTIND** Battery management - Voltage, current and charge indicators
- **WHC-FIX2** Wheel chocks - Two fixed design
- **WHC-FOL1** One foldable wheel chock
- **WHC-FOL2** Two foldable wheel chocks
- **WHCP-M** Wheel chock carrier position - Middle part of the vehicle
- **WHCP-R** Wheel chock carrier position - In the rear part of the vehicle
- **WHCP-T** Wheel chock carrier position - Outer luggage locker
- **SUP-BAS** Side guards - Check with bodybuilder chassis space requirements
- **CHAIN-S** Snow chains
- **HOOK-SC** Snow chain hooks
- **TOWF-NO1** Front towing device - One detachable - stored in cab
- **TOWF-NO2** Front towing device - Two detachable - stored in cab
- **RFEC-L** Rear frame profile - Lower flange cut for centre axle drawbar
- **RFEC-S** Rear frame profile - Straight cut
- **RFEC-U** Rear frame profile - Slight uppercut for tippers
- **TOWR-ONE** Towing hitch attached to rear crossmember
- **RFEND-B** Rear mud wings - Three piece EC approved and spray flaps
- **RFEND-T** Rear mud wings - Temporary on drive axle for transport delivery only
- **RFH-BAS** Basic rear wing height
- **RFH-HIG** High rear wing height - higher wing tops
- **RFH-LOW** Lower rear wing height - shallower wing tops
- **AUXATNK** Auxiliary airtank
- **REST-RUP**
- **BLIGHT-E** Emergency brake light

WHEELS & TYRES

- **RT-AL** Wheels - Howmet Alcoa brushed aluminium rims - standard holes for long stud fixing
- **RT-ALDP** Wheels - Howmet Alcoa Dura-Bright aluminium rims - standard holes for long stud fixing
- **RT-ALDPD** Wheels - Howmet Alcoa Dura-Bright EVO aluminium rims - countersunk holes for short stud fixing
- **RT-ALDU** Wheels - Howmet Alcoa brushed aluminium rims - countersunk holes for short stud fixing
- **SPWT-D** Spare wheel & tyre with rear tyre pattern
- **SPWT-F** Spare wheel & tyre with front tyre pattern
- **SWCP-R** Rear mounted spare wheel carrier
- **SWCP-T** Spare wheel supplied temporarily strapped to chassis
- **SWCP-TP** Temporary spare wheel carrier on top of chassis frame
- **JACK-12T** 12 tonne bottle jack
- **JACK-15T** 15 tonne bottle jack
- **JACK-20T** 20 tonne bottle jack
- **TOOL-BAS** Basic Toolkit
- **TOOLKIT** Complete tool kit

MODEL RANGE

NEW FM Low Entry Battery Electric 6x4 Rigid - Full Air Suspension FML 64R E

<input type="checkbox"/> INFLAHOS Tyre inflation hose	<input type="checkbox"/> STGW-ADJ Steering wheel adjustment - Column height and angle
<input type="checkbox"/> GAUGE-TP Tyre pressure gauge	<input checked="" type="checkbox"/> 1DAYDIG4 Smart tachograph - Continental VDO 4.1 version 2 - legal demand from 21/08/2023 Tachograph prep Kit
DRIVELINE EQUIPMENT	
<input type="checkbox"/> DRM-B Drive mode - Balanced	<input type="checkbox"/> TAC-PK2
<input checked="" type="checkbox"/> DRM-BE Drive mode - Balanced & Economy	<input type="checkbox"/> ARSL Additional road speed limit - switch in dashboard
<input checked="" type="checkbox"/> PVT-MAP I-See Predictive Cruise Control - using map-based topography information	<input checked="" type="checkbox"/> ESP-BAS1 Electronic Stability Control ESC
<input type="checkbox"/> EP400A Electric Power Outlet Voltage - 400V AC	<input type="checkbox"/> ESPC-RO Additional ESC functions - Reduced / Off
<input type="checkbox"/> EPTC270 Electro-mechanical Power Take Off - Output 270 Nm - transport located on top of chassis behind cab	<input type="checkbox"/> HWSS-AC Forward collision warning with adaptive cruise control WITHOUT AEBS advanced emergency brake system
<input type="checkbox"/> HPM-F101 Electric motor mounted hydraulic pump - Parker F1-101 for electrical motor, fixed displacement	<input type="checkbox"/> HWSS-ACB Forward collision warning with adaptive cruise control and AEBS advanced emergency brake system
<input type="checkbox"/> HPM-F41 Electric motor mounted hydraulic pump - Parker F1-41 for electrical motor, fixed displacement	<input checked="" type="checkbox"/> HWSS-FCB Forward collision warning with AEBS advanced emergency brake system
<input type="checkbox"/> HPM-F51 Electric motor mounted hydraulic pump - Parker F1-51 for electrical motor, fixed displacement	<input checked="" type="checkbox"/> LSS-DW Lane departure-warning system
<input type="checkbox"/> HPM-F61 Electric motor mounted hydraulic pump - Parker F1-61 for electrical motor, fixed displacement	<input type="checkbox"/> LSS-DW3 Lane departure warning system with pilot assist
<input type="checkbox"/> HPM-F81 Electric motor mounted hydraulic pump - Parker F1-81 for electrical motor, fixed displacement	<input checked="" type="checkbox"/> LCS4 Side Collision Avoidance Support - passenger and driver side
<input type="checkbox"/> HPM-T42 Electric motor mounted hydraulic pump - Parker F2-42/42 for electrical motor, twin flow displacement	<input checked="" type="checkbox"/> DAS-W Driver Alert Support system
<input type="checkbox"/> HPM-T53 Hydraulic pump - F2-53/53 for electrical motor, twin flow displacement pump	<input type="checkbox"/> RSENS-W Rain sensing windscreen wipers
<input type="checkbox"/> HPM-T55 Hydraulic pump - F2-55/28 for electrical motor, twin flow displacement pump	<input checked="" type="checkbox"/> CU-ECC Cab climate Unit - Electrically controlled air conditioning with sun sensor
<input type="checkbox"/> HPM-T70 Hydraulic pump - F2-70/35 for electrical motor, twin flow displacement pump	<input type="checkbox"/> CU-ECC2 Cab climate Unit - Electrically controlled air conditioning with a carbon filter, sun, mist, and air quality sensor
<input type="checkbox"/> HPM-V130 Hydraulic pump - VP1-130 for electrical motor, variable displacement pump	<input checked="" type="checkbox"/> IMMOBIL Immobiliser
<input type="checkbox"/> HPM-V45 Hydraulic pump - VP1-45 for electrical motor, variable displacement pump	<input type="checkbox"/> ALARM-E Enhanced vehicle alarm - Thatcham H1 approved - Cab plus external sensor for body/trailer
<input type="checkbox"/> HPM-V75 Hydraulic pump - VP1-75 for electrical motor, variable displacement pump	<input type="checkbox"/> ISUNS-BS Side sun visor - Driver & passenger side
<input type="checkbox"/> HPM-V95 Hydraulic pump - VP1-95 for electrical motor, variable displacement pump	<input checked="" type="checkbox"/> ISUNS-DS Side sun visor - Driver-side
<input type="checkbox"/> PTR-D Gearbox PTO for plug-in pump, 0.71xeng speed	<input type="checkbox"/> ISUNF-RE Electrically operated textile interior sun blind
<input type="checkbox"/> PTR-DH Gearbox driven high speed PTO for one plug-in hydraulic pump	<input checked="" type="checkbox"/> ISUNF-RM Manually operated textile interior sun blind
<input type="checkbox"/> PTR-DM Gearbox driven medium speed PTO for one plug-in hydraulic pump	<input type="checkbox"/> ADFS Two extra DIN slots in front shelf - can be fitted with card or drawer available as an accessory
<input type="checkbox"/> PTR-F Gearbox driven PTO with rear flange connection	<input checked="" type="checkbox"/> BUPALARM Reverse alarm
<input type="checkbox"/> PTR-FH Gearbox driven high speed PTO with SAE drive flange	<input type="checkbox"/> RTOLL-PK Road toll PREPARATION kit for trucks operating with "Toll Collect" in Germany
<input type="checkbox"/> PTR-FL Gearbox driven low speed PTO with SAE drive flange	<input checked="" type="checkbox"/> LOADIND Load indicator with central dashboard display
<input type="checkbox"/> PTRD-D Gearbox driven HIGH SPEED PTO for two plug-in hydraulic pumps	<input type="checkbox"/> REMC-MF Multi-functio wireless remote control
<input type="checkbox"/> PTRD-D1 PTRD-D1 Gearbox driven HIGH SPEED PTO (1 SAE flange & 1 plug-in hydraulic pump)	<input checked="" type="checkbox"/> FIREXT3S Fire extinguisher - 3kg mounted on the seat base
<input type="checkbox"/> PTRD-D2 Gearbox driven HIGH SPEED PTO (2 SAE flanges & 1 plug-in hyd pump)	<input type="checkbox"/> WARNVEST High visibility warning vest - No sleeves
<input type="checkbox"/> PTRD-F PTO with 1 DIN + 1 flange connection rear, manual gearbox	<input checked="" type="checkbox"/> WARNTRI2 Roadside hazard warning triangle
<input type="checkbox"/> HPG-F101 Gearbox mounted hydraulic pump - Parker F1-101 hydraulic pump gearbox mounted	<input type="checkbox"/> AIDKIT First aid kit - Legal demand for EU markets including delivery to EU bodybuilder
<input type="checkbox"/> HPG-F41 Gearbox mounted hydraulic pump - Parker F1-41 gearbox mounted, fixed displacement, single flow	<input type="checkbox"/> AIDKIT1B First aid kit - Legal demand for trucks transiting Germany
<input type="checkbox"/> HPG-F51 Gearbox mounted hydraulic pump - Parker F1-51 gearbox mounted, fixed displacement, single flow	<input type="checkbox"/> WARNLAMP Portable warning lamp
<input type="checkbox"/> HPG-F61 Gearbox mounted hydraulic pump - Parker F1-61 gearbox mounted, fixed displacement, single flow	<input type="checkbox"/> LAMP-IN Inspection lamp
<input type="checkbox"/> HPG-F81 Gearbox mounted hydraulic pump - Parker F1-81 gearbox mounted, fixed displacement, single flow	<input type="checkbox"/> WRITEPAD Writing pad
<input checked="" type="checkbox"/> CRUIS-E Eco cruise control (with eco-roll and I-cruise, controls in steering wheel)	<input checked="" type="checkbox"/> DST-CF4 Driver seat - Suspended, adjustable shock absorber, travel, backrest & lumbar controls with integrated seatbelt
<input checked="" type="checkbox"/> DTRI-PER Dashboard in darker peregrine greyish brown. Steering wheel grey and door panels in light beige for FH and black for FH16.	<input type="checkbox"/> DST-CF5 Driver seat - Suspended with adjustable shock absorber, travel, backrest, lumbar & heat controls with integrated seatbelt
<input checked="" type="checkbox"/> STWPOS-R Steering wheel position - RIGHT-HAND DRIVE	<input type="checkbox"/> DST-CF6 Driver seat - Suspended with adjustable shock absorber, travel, backrest, lumbar, heat and ventilation controls with integrated seatbelt
<input type="checkbox"/> STWM-LE Steering wheel - Leather	<input type="checkbox"/> SBD-RED Seat belt colour - Red
<input type="checkbox"/> STGW-AD2 Steering wheel adjustment - Neck tilt, column height and angle	<input type="checkbox"/> PST-CF4 Passenger seat - Suspended, adjustable shock absorber, travel, backrest & lumbar controls with integrated seatbelt
	<input type="checkbox"/> PST-CF5 Passenger seat - Suspended with adjustable shock absorber, travel, backrest, lumbar & heat controls with integrated seatbelt
	<input type="checkbox"/> ARMRE-BB Armrests - Two on both driver & passenger seats
<input checked="" type="checkbox"/> Standard Equipment	<input type="checkbox"/> Optional Equipment

For more detailed information about cab and powertrain equipment, please refer to separate specification sheets.

For all possible options and combinations of options please consult your Volvo sales contact who can create a specification to match your requirements using the Volvo Sales Support system (VSS).

The factory reserves the right to modify design and change equipment without previous notification. The specification can vary from country to country.

MODEL RANGE

NEW FM Low Entry Battery Electric 6x4 Rigid - Full Air Suspension FML 64R E

<input type="checkbox"/> ARMRE-DB	Armrests - Two on the driver seat	<input type="checkbox"/> AD-CHASX	Chassis side skirts - extended
<input type="checkbox"/> ARMRE-PB	Armrests - Two on the passenger seat	<input type="checkbox"/> ADCF-F	Additional black edging on chassis side skirt
<input type="checkbox"/> ARU-BAS	Armrest upholstery - Vinyl	<input checked="" type="checkbox"/> HL-LED	Headlights - LED
<input type="checkbox"/> ARU-LEA	Armrest upholstery - Leather	<input checked="" type="checkbox"/> DRL-LED	Daytime running lights - V shaped
<input checked="" type="checkbox"/> FMAT-RUB	Footwell floor mats - Rubber	<input checked="" type="checkbox"/> UDRIVL	Auxiliary driving lights - Without
<input type="checkbox"/> FMAT-TX2	Footwell floor mats - Two sets, Rubber and textile with an embossed pile supplied in the cab	<input type="checkbox"/> ASL-RF2	Integrated roof spotlights - Two LED spot lights in Globetrotter sign box
<input checked="" type="checkbox"/> RUS-BAS	Rear cab upper storage - 300 mm high	<input type="checkbox"/> BEACOA2F	Roof beacons - Two front roof mounted amber LED
<input type="checkbox"/> RUS-HIG	Rear cab upper storage - 440 mm high - volume 245 litres	<input type="checkbox"/> BEACOA2R	Roof beacons - Two rear roof mounted amber LED
<input type="checkbox"/> REFR-RUS	Fridge - 28 litre rear upper wall mounted with dividers	<input type="checkbox"/> BEACON-P	Roof beacons - switch and wiring preparation only
<input type="checkbox"/> MICRO-PK	Wiring preparation kit for microwave oven	<input type="checkbox"/> BEACONA4	Roof beacons - Four amber LED - two front/ two rear
<input type="checkbox"/> COFMA-PK	Coffee maker - Preparation kit.	<input checked="" type="checkbox"/> CABPT-R1	Single outlet for roof mounted accessories
<input checked="" type="checkbox"/> INLI-BAS	Interior light - White LEDs	<input checked="" type="checkbox"/> CABPT-R2	Twin outlets for roof mounted accessories.
<input type="checkbox"/> INLI-NL	Interior light - White and red nightlight LEDs without dimmer	<input type="checkbox"/> SPOTP-F	Spotlamp preparation in front, max 280W
<input type="checkbox"/> INLI-NLD	Interior light - White and red nightlight LEDs with dimmer	<input type="checkbox"/> SPOTP-R	Spotlamp preparation on roof, max 280W
<input type="checkbox"/> ARL-FLEX	Flexible reading lamps - Two "snake" type	<input type="checkbox"/> SPOTP-RF	Spotlamp preparation on cab roof and in cab front, max 2x280W
<input checked="" type="checkbox"/> RH-EE	Fixed tinted glass sky window with emergency exit	<input type="checkbox"/> ROS-IL	Globetrotter roof sign illuminated
<input type="checkbox"/> RH-ER	Steel roof hatch - Electrically operated, rear opening with emergency exit	<input type="checkbox"/> ROS-IL2	Preparation kit for illuminated roof sign with switch loose in cab, fit after registration
<input type="checkbox"/> RH-ETR	Tinted glass roof hatch - Electrically operated, rear opening with emergency exit	<input type="checkbox"/> ROS-ILP	Roof sign illumination preparation kit
<input type="checkbox"/> RH-MTR	Tinted glass roof hatch - Manually operated, rear opening with emergency exit	<input type="checkbox"/> CSGN-GTR	Cab sign logo - FH "Globetrotter" or FH16 "Power"
<input checked="" type="checkbox"/> GLAS-TIN	Cab windows - Tinted	<input type="checkbox"/> HORN-R2S	Horn - Air - Two roof-mounted
<input type="checkbox"/> AWIND-RF	Rear window	<input type="checkbox"/> ANT-CBR	Roof mounted antenna for CB radio, single aerial. Only Globetrotter cabs brings in extra DIN slots.
<input type="checkbox"/> SWIND-BS	Cab side window - On both sides behind 'B' post	<input type="checkbox"/> ACCBR-F	Front roof mounted accessory bracket
<input type="checkbox"/> SWIND-PS	Cab side window - Left side behind 'B' post	<input type="checkbox"/> ACCBR-FR	Front & rear roof mounted accessory brackets
<input type="checkbox"/> VANMIR	Vanity mirror - In front shelf	<input type="checkbox"/> ACCBR-R	Rear roof mounted accessory bracket
<input type="checkbox"/> AS-FUS	Extra shelf in front compartments	<input type="checkbox"/> REFS-TW	White cab conspicuity markings by packed in cab
		<input type="checkbox"/> REFS-TY	Yellow cab conspicuity markings by packed in cab
CAB EXTERIOR			
<input checked="" type="checkbox"/> EXTL-BA2	Enhanced exterior finish - Satin Volvo badges, instep, bumper, and mirror housing in cab colour. Main grille in thunder grey. Aluminium step inserts. Sunvisor and bumper spoiler in cab colour if specified.	SUPERSTRUCTURE PREPARATIONS	
<input checked="" type="checkbox"/> DGLAS-L	Door glass - Laminated	<input type="checkbox"/> SRWL-2RW	Chassis-mounted working lamps - Two white rear-mounted LED lamps and 3 position switch
<input checked="" type="checkbox"/> BUMP-B	Front bumper - Plastic	<input type="checkbox"/> SRWL-PK	Chassis-mounted working lamps - Side work and reverse lamp preparation and 3 position switch - Max load 280W
<input checked="" type="checkbox"/> CTILT-P-E	Electrically operated hydraulic cab tilt	<input type="checkbox"/> SWL-2RW	Chassis-mounted working lamps - Two white rear mounted LED lamps
<input checked="" type="checkbox"/> FCABS-M	Front cab suspension - Mechanical spring	<input type="checkbox"/> SWL-PK	Chassis-mounted working lamps - Side work lamp preparation and 2 position switch - Max load 280W
<input checked="" type="checkbox"/> RCABS-A	Rear cab suspension - Air	<input type="checkbox"/> WLC-H2W	Working lamp back of cab - Two white LED high mounted at the back of cab
<input checked="" type="checkbox"/> HCC-EXT	Exterior hood catch - manually operated from the front of the vehicle	<input type="checkbox"/> WLC-PKCH	Working lamp back of cab - Preparation kit - cables and switch
<input type="checkbox"/> MIRCFPCX	Mirrors - Electrically heated and operated - FMX- main and wide-angle with manually adjusted kerb view mirror on the passenger side and position camera in nearside mirror arm. To increase direct vision to the side the main mirrors have no cowlings	<input type="checkbox"/> WLC-PKH	Preparation kit, cables and switch for high mounted working lamps back of cab
<input type="checkbox"/> MIRCMCP	Camera monitoring and mirrors - Electrically heated and operated main and wide-angle rear view cameras with manually adjusted passenger kerb and front mirror and passenger corner pedestrian camera.	<input type="checkbox"/> ECBB-BAS	Bodybuilder electrical centre without bodybuilder module
<input type="checkbox"/> MIRCMS	Camera monitoring and mirrors - Electrically heated and operated main and wide-angle rear view cameras with manually adjusted passenger kerb and front mirror	<input checked="" type="checkbox"/> ECBB-HIG	Bodybuilder module - High level body electrical centre in dash input/output module
<input type="checkbox"/> MIRCOMFX	Electrically heated and operated -FMX- main and wide-angle mirrors with manually adjusted passenger kerb mirror, to increase direct vision to the side the main mirrors have no cowlings	<input type="checkbox"/> BBCHAS1	One 7-pole connector for Body builder interface
<input checked="" type="checkbox"/> AMIR-F20	Auxiliary front view mirror with a 200mm radius	<input type="checkbox"/> BBCHAS3	Three 7-pole connectors for Body builder interface
<input type="checkbox"/> AD-ROOF	Cab roof deflector - Adjustable	<input type="checkbox"/> BEPR-T2	Body builder electrical software preparation for tipper with remote control
<input checked="" type="checkbox"/> AD-SIDES	Cab side deflector - Short extension panels	<input type="checkbox"/> EXSTER	External steering control - Volvo dynamic steering and bodybuilder module prepared for external control system, installed and computer by bodybuilder
		<input type="checkbox"/> FBA-BTF	Lower front body attachments for torsionally flexible - platform body
		<input type="checkbox"/> FBA-BTSF	Lower front body attachments for torsionally semi-flexible body - box or curtainsider
		<input type="checkbox"/> HBA-FSFB	Holes for body attachments - flexible/semi-flexible body
		<input type="checkbox"/> HBA-SB	Holes for body attachments - stiff body
		<input type="checkbox"/> RBA-T2	Lower rear body attachments for helper frame

Standard Equipment Optional Equipment

For more detailed information about cab and powertrain equipment, please refer to separate specification sheets.

For all possible options and combinations of options please consult your Volvo sales contact who can create a specification to match your requirements using the Volvo Sales Support system (VSS).

The factory reserves the right to modify design and change equipment without previous notification. The specification can vary from country to country.

MODEL RANGE

NEW FM Low Entry Battery Electric 6x4 Rigid - Full Air Suspension FML 64R E

- **CRANEPK1** Crane plates mounted to frame, for cranes up to 10 tonne metre capacity
- **CRANEPK2** Crane plates mounted to frame, for cranes up to 20 tonne metre capacity
- **CRANEPK4** Crane plates mounted to frame, for cranes up to 40 tonne metre capacity
- **TAILPRE2** Tail lift preparation kit, wireless remote operation
- **TAILPREP** Taillift preparation kit - cab switch and warning in driver display
- **AESW2** Two Body builder bistable electrical switches (marked AUX1 / AUX2)
- **AESW2PK** 2 Body builder bistable el.switches (marked AUX1/AUX2) and prep. for 4 more switches
- **AUXSW-4** Wiring for 4 extra switches (from Body builder electrical centre to switch positions)

DELIVERY SERVICES

- **DRUT1** Driver utility app - "My Truck" - 1 year subscription
For mobile phone, tablet, with android and IOS systems.
Only available with Volvo Connect subscription
- **DRUT2** Driver utility app - "My Truck" - 2 year subscription
For mobile phone, tablet, with android and IOS systems.
Only available with Volvo Connect subscription
- **DRUT3** Driver utility app - "My Truck" - 3 year subscription
For mobile phone, tablet, with android and IOS systems.
Only available with Volvo Connect subscription
- **DRUT4** Driver utility app - "My Truck" - 4 year subscription
For mobile phone, tablet, with android and IOS systems.
Only available with Volvo Connect subscription
- **DRUT5** Driver utility app - "My Truck" - 5 year subscription
For mobile phone, tablet, with android and IOS systems.
Only available with Volvo Connect subscription