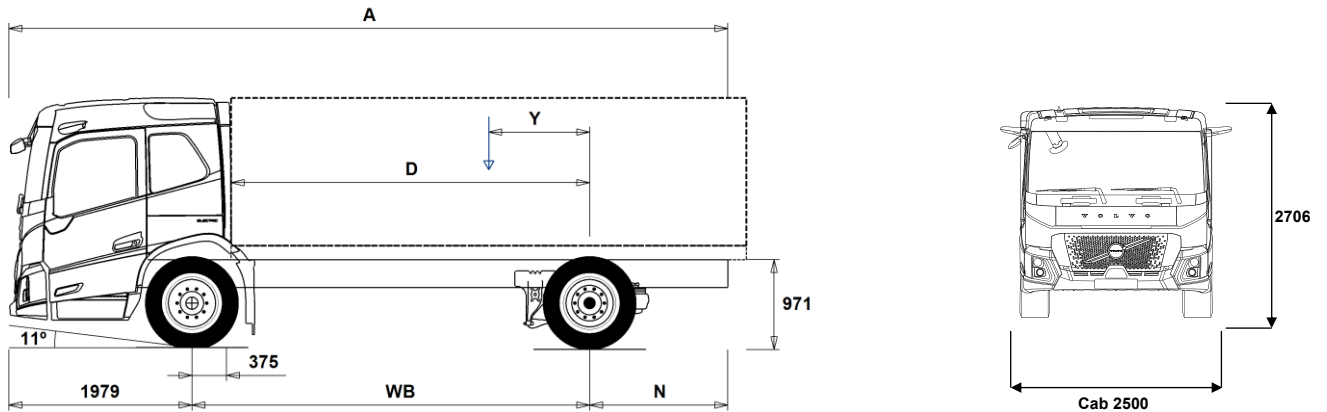


MODEL RANGE

NEW FM Low Entry Battery Electric 4x2 Rigid - Full Air Suspension FML 42R E



Chassis Dimensions [mm]

WB Wheelbase	4100	4300	4600	4900	5200	5600	6000
A Overall Chassis Length	7624	7824	8124	8424	8724	9124	9524
D Center of rear axle to front of body	3675	3875	4175	4475	4775	5175	5575
N Rear Overhang	1545	1545	1545	1545	1545	1545	1545
Y Center of Gravity for Payload (Min.)	186	169	150	123	95	56	-4
Y Center of Gravity for Payload (Max.)	630	637	652	662	670	680	673

Chassis Weights [kg]

Front Axle	6080	6135	6200	6270	6330	6410	6505
Rear Axle	2690	2675	2645	2635	2620	2610	2630
Kerb Weight	8770	8810	8845	8905	8950	9020	9135
Payload (including body, driver, fuel, etc.)	9230	9190	9155	9095	9050	8980	8865

Turning Diameter [mm]

Turning Circle Diameter Kerb to Kerb	14600	15200	16100	17000	17900	19200	20400
Turning Circle Diameter Wall to Wall	16700	17300	18200	19100	20000	21300	22500

Plated Weights [kg]

	Plated	Design
Gross Vehicle Weight	18000	21000
Gross Combination Weight	0	32000
Front Axle	7500	8000
Rear Axle	11500	13000

Important Notes

Chassis Dimensions

Cab Height: +374 mm for CAB-HCR2.
 D-measure includes a front clearance of 50 mm and for rigid trucks also a subframe of 100 mm.
 Height can vary ± 20 mm for leaf and ± 10 mm for air suspension.
 All dimensions are for unladen chassis and any tag axles down.

Weight and dimensions are based upon the following tyres:
 Front Axle Tyres: 315/70R22.5
 Drive Axle Tyres: 315/70R22.5

Chassis weight includes oil, water, AdBlue, 0 litres fuel and without driver. Kerb weight can vary ± 3%.

Turning diameters are theoretically calculated.

Legal weights can differ from country to country.

For more detailed weight information, including optional equipment weights, ask your Volvo sales contact to enter your specification into the Volvo Weight Information system (WIS).

Do NOT use this drawing for bodybuilding. Refer to Volvo Bodybuilder Instructions and chassis assembly drawing FML42RE.

MODEL RANGE

NEW FM Low Entry Battery Electric 4x2 Rigid - Full Air Suspension FML 42R E

TRUCK USE

- **RC-SMOOT** Road Conditions - Smooth
- **GARB-PRE** Transport Adaption - Refuse preparation
- **TIPP-PRE** Transport Adaption - Tipper vehicle preparation
- **UNIFORM** Transport Adaption - Basic platform vehicle

CORE COMPONENTS

- **CHH-MED** Chassis height - Medium - for loading heights check the unique BEP chassis drawing attached to this quote
- **RAD-GR** Rear suspension - 4 bag air - high
- **FMLE-CR** Cab - Low entry with steel safety cage design
Designed and built to Swedish impact and ECE R29 regulations
- **FMLE-HCR** Cab - Low entry high roof with steel safety cage design
Designed and built to Swedish impact and ECE R29 regulations
- **ESS360K** Energy storage system - Total energy 360 kWh
- **EPT2412** Gearbox - I-shift Automated 12-speed - suitable for gross train weights up to 44tonne
- **NEM2** Electric Motors - 2 - Output 330 kW - 450hp continuous power
- **RSS1344C** Drive axle - RS1344C single reduction with differential lock - design GCW 44 tonne
- **RSS1344E** Drive axle - RSS1344E single reduction with differential lock - design GCW 44 tonne
- **RSS1370A** Drive axle - RSS1370A single reduction 13 tonne with differential lock - design GCW 70 tonne

PACKAGES

- **INFOHIGH** Media Information Platform - Medium level
- **DRIV-EXT** Cab package - Drive Extended
- **DRIV-SEL** Cab Package - Drive Select
- **RANGOP5** Range Optimisation Package - 5 years prepaid subscription

CHASSIS

- **FST-AIR** Front suspension type - Air
- **FSL5-BAS** Front suspension levelling - basic stroke
- **FAL10.0** Front axle design capacity - 10 tonne - check tyre capacity
- **FAL8.0** Front axle design capacity - 8.0 tonne - check tyre capacity
- **FAL8.5** Front axle design capacity - 8.5 tonnes
- **FAL9.0** Front axle design capacity - 9.0 tonne - check tyre capacity
- **FSTAB2** Front anti-roll bar - Medium stiffness
- **FSTAB3** Front anti-roll bar - High stiffness
- **RAL13** Rear axle design capacity - 13 tonne
- **RSTAB3** Rear anti-roll bar - Stiff
- **ASF-DL1** Air suspension with 1 driving level
- **ASF-DL3** Air suspension with 3 driving levels
- **ACTST-TO** Active Steering- Volvo Dynamic Steering - VDS - with extra electronic pump and torque overlay
- **ASFE-BAS** Active steering feature - Basic - Volvo Dynamic Steering - VDS - only
- **ASFE-OG** Active steering feature - Volvo Dynamic Steering - VDS - with stability assist - oversteer
- **ASFE-PO** Active steering feature - Volvo Dynamic Steering - VDS - with personal settings and stability assist
- **ASFE-PS** Active steering feature - Volvo Dynamic Steering - VDS - with personal settings
- **AUXPARK** Auxiliary parking brake - Additional spring brakes
- **RST-AIR** Rear suspension type - Air
- **FRAME300** Chassis frame section external height - 300 mm
- **FST8080** Chassis frame thickness - 8 mm web and flange
- **FIL-EEEB** Chassis frame inner liner - From the end of the engine to the end of the bogie

- **FIL-EEEF** Chassis frame inner liner - From the end of the engine to end of the frame
- **FIL-TXEB** Chassis frame inner liner - From gearbox member to the end of the bogie
- **FIL-TXEF** Chassis frame inner liner - From gearbox member to the end of the frame
- **BATTAMP** Battery management - Voltage and current gauge
- **BATTIND** Battery management - Voltage, current and charge indicators
- **WHC-FIX1** Wheel chock - One fixed design
- **WHC-FIX2** Wheel chocks - Two fixed design
- **WHC-FOL1** One foldable wheel chock
- **WHC-FOL2** Two foldable wheel chocks
- **WHCP-M** Wheel chock carrier position - Middle part of the vehicle
- **WHCP-R** Wheel chock carrier position - In the rear part of the vehicle
- **WHCP-T** Wheel chock carrier position - Outer luggage locker
- **SUP-BAS** Side guards - Check with bodybuilder chassis space requirements
- **CHAIN-S** Snow chains
- **HOOK-SC** Snow chain hooks
- **TOWF-NO1** Front towing device - One detachable - stored in cab
- **TOWF-NO2** Front towing device - Two detachable - stored in cab
- **RFEC-L** Rear frame profile - Lower flange cut for centre axle drawbar
- **RFEC-S** Rear frame profile - Straight cut
- **RFEC-U** Rear frame profile - Slight uppercut for tipper
- **TOWR-ONE** Towing hitch attached to rear crossmember
- **RFEND-B** Rear mud wings - Three piece EC approved and spray flaps
- **RFEND-T** Rear mud wings - Temporary on drive axle for transport delivery only
- **RFH-BAS** Basic rear wing height
- **RFH-HIG** High rear wing height - higher wing tops
- **RFH-LOW** Lower rear wing height - shallower wing tops
- **BLIGHT-E** Emergency brake light

WHEELS & TYRES

- **RT-AL** Wheels - Howmet Alcoa brushed aluminium rims - standard holes for long stud fixing
- **RT-ALDP** Wheels - Howmet Alcoa Dura-Bright aluminium rims - standard holes for long stud fixing
- **RT-ALDPD** Wheels - Howmet Alcoa Dura-Bright EVO aluminium rims - countersunk holes for short stud fixing
- **RT-ALDU** Wheels - Howmet Alcoa brushed aluminium rims - countersunk holes for short stud fixing
- **SPWT-D** Spare wheel & tyre with rear tyre pattern
- **SPWT-F** Spare wheel & tyre with front tyre pattern
- **SWCP-R** Rear mounted spare wheel carrier
- **SWCP-T** Spare wheel supplied temporarily strapped to chassis
- **SWCP-TP** Temporary spare wheel carrier on top of chassis frame
- **JACK-12T** 12 tonne bottle jack
- **JACK-15T** 15 tonne bottle jack
- **JACK-20T** 20 tonne bottle jack
- **TOOL-BAS** Basic Toolkit
- **TOOLKIT** Complete tool kit
- **INFLAHOS** Tyre inflation hose
- **GAUGE-TP** Tyre pressure gauge

DRIVELINE EQUIPMENT

- **DRM-B** Drive mode - Balanced
- **DRM-BE** Drive mode - Balanced & Economy
- **PVT-MAP** I-See Predictive Cruise Control - using map-based topography information
- **EP400A** Electric Power Outlet Voltage - 400V AC
- **EPTC270** Electro-mechanical Power Take Off - Output 270 Nm - transport located on top of chassis behind cab

■ Standard Equipment □ Optional Equipment

For more detailed information about cab and powertrain equipment, please refer to separate specification sheets.

For all possible options and combinations of options please consult your Volvo sales contact who can create a specification to match your requirements using the Volvo Sales Support system (VSS).

The factory reserves the right to modify design and change equipment without previous notification. The specification can vary from country to country.

MODEL RANGE

NEW FM Low Entry Battery Electric 4x2 Rigid - Full Air Suspension FML 42R E

<input type="checkbox"/> HPM-F101	Electric motor mounted hydraulic pump - Parker F1-101 for electrical motor, fixed displacement	<input checked="" type="checkbox"/> HWSS-FCB	Forward collision warning with AEBS advanced emergency brake system
<input type="checkbox"/> HPM-F41	Electric motor mounted hydraulic pump -Parker F1-41 for electrical motor, fixed displacement	<input checked="" type="checkbox"/> LSS-DW	Lane departure-warning system
<input type="checkbox"/> HPM-F51	Electric motor mounted hydraulic pump - Parker F1-51 for electrical motor, fixed displacement pum	<input type="checkbox"/> LSS-DW3	Lane departure warning system with pilot assist
<input type="checkbox"/> HPM-F61	Electric motor mounted hydraulic pump - Parker F1-61 for electrical motor, fixed displacement	<input checked="" type="checkbox"/> LCS4	Side Collision Avoidance Support - passenger and driver side
<input type="checkbox"/> HPM-F81	Electric motor mounted hydraulic pump - Parker F1-81 for electrical motor, fixed displacement	<input checked="" type="checkbox"/> DAS-W	Driver Alert Support system
<input type="checkbox"/> HPM-T42	Electric motor mounted hydraulic pump - Parker F2-42/42 for electrical motor, twin flow displacement	<input type="checkbox"/> RSENS-W	Rain sensing windscreen wipers
<input type="checkbox"/> HPM-T53	Hydraulic pump - F2-53/53 for electrical motor, twin flow displacement pump	<input checked="" type="checkbox"/> CU-ECC	Cab climate Unit - Electrically controlled air conditioning with sun sensor
<input type="checkbox"/> HPM-T55	Hydraulic pump - F2-55/28 for electrical motor, twin flow displacement pump	<input type="checkbox"/> CU-ECC2	Cab climate Unit - Electrically controlled air conditioning with a carbon filter, sun, mist, and air quality sensor
<input type="checkbox"/> HPM-T70	Hydraulic pump - F2-70/35 for electrical motor, twin flow displacement pump	<input checked="" type="checkbox"/> IMMOBIL	Immobiliser
<input type="checkbox"/> HPM-V130	Hydraulic pump - VP1-130 for electrical motor, variable displacement pump.	<input type="checkbox"/> ALARM-E	Enhanced vehicle alarm - Thatcham H1 approved - Cab plus external sensor for body/trailer
<input type="checkbox"/> HPM-V45	Hydraulic pump - VP1-45 for electrical motor, variable displacement pump.	<input type="checkbox"/> ISUNS-BS	Side sun visor - Driver & passenger side
<input type="checkbox"/> HPM-V75	Hydraulic pump - VP1-75 for electrical motor, variable displacement pump.	<input checked="" type="checkbox"/> ISUNS-DS	Side sun visor - Driver-side
<input type="checkbox"/> HPM-V95	Hydraulic pump - VP1-95 for electrical motor, variable displacement pump.	<input type="checkbox"/> ISUNF-RE	Electrically operated textile interior sun blind
<input type="checkbox"/> PTR-D	Gearbox PTO for plug-in pump, 0.71xeng speed	<input checked="" type="checkbox"/> ISUNF-RM	Manually operated textile interior sun blind
<input type="checkbox"/> PTR-DH	Gearbox driven high speed PTO for one plug-in hydraulic pump	<input type="checkbox"/> ADFS	Two extra DIN slots in front shelf - can be fitted with card or drawer available as an accessory
<input type="checkbox"/> PTR-DM	Gearbox driven medium speed PTO for one plug-in hydraulic pump	<input checked="" type="checkbox"/> BUPALARM	Reverse alarm
<input type="checkbox"/> PTR-F	Gearbox driven PTO with rear flange connection	<input type="checkbox"/> RTOLL-PK	Road toll PREPARATION kit for trucks operating with "Toll Collect" in Germany
<input type="checkbox"/> PTR-FH	Gearbox driven high speed PTO with SAE drive flange	<input checked="" type="checkbox"/> LOADIND	Load indicator with central dashboard display
<input type="checkbox"/> PTR-FL	Gearbox driven low speed PTO with SAE drive flange	<input type="checkbox"/> REMC-MF	Multi-functio wireless remote control
<input type="checkbox"/> PTRD-D	Gearbox driven HIGH SPEED PTO for two plug-in hydraulic pumps	<input checked="" type="checkbox"/> FIREXT3S	Fire extinguisher - 3kg mounted on the seat base
<input type="checkbox"/> PTRD-D1	PTRD-D1 Gearbox driven HIGH SPEED PTO (1 SAE flange & 1 plug-in hydraulic pump)	<input type="checkbox"/> WARNVEST	High visibility warning vest - No sleeves
<input type="checkbox"/> PTRD-D2	Gearbox driven HIGH SPEED PTO (2 SAE flanges & 1 plug-in hyd pump)	<input checked="" type="checkbox"/> WARNTRI2	Roadside hazard warning triangle
<input type="checkbox"/> PTRD-F	PTO with 1 DIN + 1 flange connection rear, manual gearbox	<input type="checkbox"/> AIDKIT	First aid kit - Legal demand for EU markets including delivery to EU bodybuilder
<input type="checkbox"/> HPG-F101	Gearbox mounted hydraulic pump - Parker F1-101 hydraulic pump gearbox mounted	<input type="checkbox"/> AIDKIT1B	First aid kit - Legal demand for trucks transiting Germany
<input type="checkbox"/> HPG-F41	Gearbox mounted hydraulic pump - Parker F1-41 gearbox mounted, fixed displacement, single flow	<input type="checkbox"/> WARNLAMP	Portable warning lamp
<input type="checkbox"/> HPG-F51	Gearbox mounted hydraulic pump - Parker F1-51 gearbox mounted, fixed displacement, single flow	<input type="checkbox"/> LAMP-IN	Inspection lamp
<input type="checkbox"/> HPG-F61	Gearbox mounted hydraulic pump - Parker F1-61 gearbox mounted, fixed displacement, single flow	<input type="checkbox"/> WRITEPAD	Writing pad
<input type="checkbox"/> HPG-F81	Gearbox mounted hydraulic pump - Parker F1-81 gearbox mounted, fixed displacement, single flow	<input checked="" type="checkbox"/> DST-CF4	Driver seat - Suspended, adjustable shock absorber, travel, backrest & lumbar controls with integrated seatbelt
<input checked="" type="checkbox"/> CRUIS-E	Eco cruise control (with eco-roll and l-cruise, controls in steering wheel)	<input type="checkbox"/> DST-CF5	Driver seat - Suspended with adjustable shock absorber, travel, backrest, lumbar & heat controls with integrated seatbelt
<input checked="" type="checkbox"/> DTRI-PER	Dashboard in darker peregrine greyish brown. Steering wheel grey and door panels in light beige for FH and black for FH16.	<input type="checkbox"/> DST-CF6	Driver seat - Suspended with adjustable shock absorber, travel, backrest, lumbar, heat and ventilation controls with integrated seatbelt
<input checked="" type="checkbox"/> STWPOS-R	Steering wheel position - RIGHT-HAND DRIVE	<input type="checkbox"/> SBD-RED	Seat belt colour - Red
<input type="checkbox"/> STWM-LE	Steering wheel - Leather	<input type="checkbox"/> PST-CF4	Passenger seat - Suspended, adjustable shock absorber, travel, backrest & lumbar controls with integrated seatbelt
<input type="checkbox"/> STGW-AD2	Steering wheel adjustment - Neck tilt, column height and angle	<input type="checkbox"/> PST-CF5	Passenger seat - Suspended with adjustable shock absorber, travel, backrest, lumbar & heat controls with integrated seatbelt
<input type="checkbox"/> STGW-ADJ	Steering wheel adjustment - Column height and angle	<input type="checkbox"/> ARMRE-BB	Armrests - Two on both driver & passenger seats
<input checked="" type="checkbox"/> 1DAYDIG4	Smart tachograph - Continental VDO 4.1 version 2 - legal demand from 21/08/2023	<input type="checkbox"/> ARMRE-DB	Armrests - Two on the driver seat
<input type="checkbox"/> TAC-PK2	Tachograph prep Kit	<input type="checkbox"/> ARMRE-PB	Armrests - Two on the passenger seat
<input type="checkbox"/> ARSL	Additional road speed limit - switch in dashboard	<input type="checkbox"/> ARU-BAS	Armrest upholstery - Vinyl
<input checked="" type="checkbox"/> ESP-BAS1	Electronic Stability Control ESC	<input type="checkbox"/> ARU-LEA	Armrest upholstery - Leather
<input type="checkbox"/> ESPC-RO	Additional ESC functions - Reduced / Off	<input checked="" type="checkbox"/> FMAT-RUB	Footwell floor mats - Rubber
<input type="checkbox"/> HWSS-AC	Forward collision warning with adaptive cruise control WITHOUT AEBS advanced emergency brake system	<input type="checkbox"/> FMAT-TX2	Footwell floor mats - Two sets, Rubber and textile with an embossed pile supplied in the cab
<input type="checkbox"/> HWSS-ACB	Forward collision warning with adaptive cruise control and AEBS advanced emergency brake system	<input checked="" type="checkbox"/> RUS-BAS	Rear cab upper storage - 300 mm high
		<input type="checkbox"/> RUS-HIG	Rear cab upper storage - 440 mm high - volume 245 litres
		<input type="checkbox"/> REFR-RUS	Fridge - 28 litre rear upper wall mounted with dividers
		<input type="checkbox"/> MICRO-PK	Wiring preparation kit for microwave oven

Standard Equipment

Optional Equipment

For more detailed information about cab and powertrain equipment, please refer to separate specification sheets.

For all possible options and combinations of options please consult your Volvo sales contact who can create a specification to match your requirements using the Volvo Sales Support system (VSS).

The factory reserves the right to modify design and change equipment without previous notification. The specification can vary from country to country.

MODEL RANGE

NEW FM Low Entry Battery Electric 4x2 Rigid - Full Air Suspension FML 42R E

- COFMA-PK** Coffee maker - Preparation kit.
- INLI-BAS** Interior light - White LEDs
- INLI-NL** Interior light - White and red nightlight LEDs without dimmer
- INLI-NLD** Interior light - White and red nightlight LEDs with dimmer
- ARL-FLEX** Flexible reading lamps - Two "snake" type
- RH-EE** Fixed tinted glass sky window with emergency exit
- RH-ER** Steel roof hatch - Electrically operated, rear opening with emergency exit
- RH-ETR** Tinted glass roof hatch - Electrically operated, rear opening with emergency exit
- RH-MTR** Tinted glass roof hatch - Manually operated, rear opening with emergency exit
- GLAS-TIN** Cab windows - Tinted
- AWIND-RF** Rear window
- SWIND-BS** Cab side window - On both sides behind 'B' post
- SWIND-PS** Cab side window - Left side behind 'B' post
- VANMIR** Vanity mirror - In front shelf
- AS-FUS** Extra shelf in front compartments

CAB EXTERIOR

- EXTL-BA2** Enhanced exterior finish - Satin Volvo badges, instep, bumper, and mirror housing in cab colour. Main grille in thunder grey. Aluminium step inserts. Sunvisor and bumper spoiler in cab colour if specified.
- DGLAS-L** Door glass - Laminated
- BUMP-B** Front bumper - Plastic
- CTILTP-E** Electrically operated hydraulic cab tilt
- FCABS-M** Front cab suspension - Mechanical spring
- RCABS-A** Rear cab suspension - Air
- HCC-EXT** Exterior hood catch - manually operated from the front of the vehicle
- MIRCFCPX** Mirrors - Electrically heated and operated - FMX- main and wide-angle with manually adjusted kerb view mirror on the passenger side and position camera in nearside mirror arm. To increase direct vision to the side the main mirrors have no cowlings
- MIRCMCP** Camera monitoring and mirrors - Electrically heated and operated main and wide-angle rear view cameras with manually adjusted passenger kerb and front mirror and passenger corner pedestrian camera.
- MIRCMS** Camera monitoring and mirrors - Electrically heated and operated main and wide-angle rear view cameras with manually adjusted passenger kerb and front mirror
- MIRCOMFX** Electrically heated and operated -FMX- main and wide-angle mirrors with manually adjusted passenger kerb mirror, to increase direct vision to the side the main mirrors have no cowlings
- AMIR-F20** Auxiliary front view mirror with a 200mm radius
- AD-ROOF** Cab roof deflector - Adjustable
- AD-SIDES** Cab side deflector - Short extension panels
- AD-CHASX** Chassis side skirts - extended
- ADCF-F** Additional black edging on chassis side skirt
- HL-LED** Headlights - LED
- DRL-LED** Daytime running lights - V shaped
- UDRIVL** Auxiliary driving lights - Without
- ASL-RF2** Integrated roof spotlights - Two LED spot lights in Globetrotter sign box
- BEACOA2F** Roof beacons - Two front roof mounted amber LED
- BEACOA2R** Roof beacons - Two rear roof mounted amber LED
- BEACON-P** Roof beacons - switch and wiring preparation only

- BEACONA4** Roof beacons - Four amber LED - two front/ two rear
- CABPT-R1** Single outlet for roof mounted accessories
- CABPT-R2** Twin outlets for roof mounted accessories.
- SPOTP-F** Spotlamp preparation in front, max 280W
- SPOTP-R** Spotlamp preparation on roof, max 280W
- SPOTP-RF** Spotlamp preparation on cab roof and in cab front, max 2x280W
- ROS-IL** Globetrotter roof sign illuminated
- ROS-IL2** Preparation kit for illuminated roof sign with switch loose in cab, fit after registration
- ROS-ILP** Roof sign illumination preparation kit
- CSGN-GTR** Cab sign logo - FH "Globetrotter" or FH16 "Power"
- HORN-R2S** Horn - Air - Two roof-mounted
- ANT-CBR** Roof mounted antenna for CB radio, single aerial. Only Globetrotter cabs brings in extra DIN slots.
- ACCBR-F** Front roof mounted accessory bracket
- ACCBR-FR** Front & rear roof mounted accessory brackets
- ACCBR-R** Rear roof mounted accessory bracket
- REFS-TW** White cab conspicuity markings by packed in cab
- REFS-TY** Yellow cab conspicuity markings by packed in cab

SUPERSTRUCTURE PREPARATIONS

- SRWL-2RW** Chassis-mounted working lamps - Two white rear-mounted LED lamps and 3 position switch
- SRWL-PK** Chassis-mounted working lamps - Side work and reverse lamp preparation and 3 position switch - Max load 280W
- SWL-2RW** Chassis-mounted working lamps - Two white rear mounted LED lamps
- SWL-PK** Chassis-mounted working lamps - Side work lamp preparation and 2 position switch - Max load 280W
- WLC-H2W** Working lamp back of cab - Two white LED high mounted at the back of cab
- WLC-PKCH** Working lamp back of cab - Preparation kit - cables and switch
- WLC-PKH** Preparation kit, cables and switch for high mounted working lamps back of cab
- ECBB-BAS** Bodybuilder electrical centre without bodybuilder module
- ECBB-HIG** Bodybuilder module - High level body electrical centre in dash input/output module
- BBCHAS1** One 7-pole connector for Body builder interface
- BBCHAS3** Three 7-pole connectors for Body builder interface
- BEPR-T2** Body builder electrical software preparation for tipper with remote control
- EXSTER** External steering control - Volvo dynamic steering and bodybuilder module prepared for external control system, installed and computer by bodybuilder
- FBA-BTF** Lower front body attachments for torsionally flexible - platform body
- FBA-BTSF** Lower front body attachments for torsionally semi-flexible body - box or curtainsider
- HBA-FSFB** Holes for body attachments - flexible/semi-flexible body
- HBA-SB** Holes for body attachments - stiff body
- RBA-T2** Lower rear body attachments for helper frame
- CRANEPK1** Crane plates mounted to frame, for cranes up to 10 tonne metre capacity
- CRANEPK2** Crane plates mounted to frame, for cranes up to 20 tonne metre capacity
- CRANEPK4** Crane plates mounted to frame, for cranes up to 40 tonne metre capacity
- TAILPRE2** Tail lift preparation kit, wireless remote operation
- TAILPREP** Taillift preparation kit - cab switch and warning in driver display
- AESW2** Two Body builder bistable electrical switches (marked AUX1 / AUX2)
- AESW2PK** 2 Body builder bistable el.switches (marked AUX1/AUX2) and prep. for 4 more switches

Standard Equipment Optional Equipment

For more detailed information about cab and powertrain equipment, please refer to separate specification sheets.

For all possible options and combinations of options please consult your Volvo sales contact who can create a specification to match your requirements using the Volvo Sales Support system (VSS).

The factory reserves the right to modify design and change equipment without previous notification. The specification can vary from country to country.

MODEL RANGE

NEW FM Low Entry Battery Electric 4x2 Rigid - Full Air Suspension FML 42R E

- **AUXSW-4** Wiring for 4 extra switches (from Body builder electrical centre to switch positions)

DELIVERY SERVICES

- **DRUT1** Driver utility app - "My Truck" - 1 year subscription
For mobile phone, tablet, with android and IOS systems.
Only available with Volvo Connect subscription
- **DRUT2** Driver utility app - "My Truck" - 2 year subscription
For mobile phone, tablet, with android and IOS systems.
Only available with Volvo Connect subscription
- **DRUT3** Driver utility app - "My Truck" - 3 year subscription
For mobile phone, tablet, with android and IOS systems.
Only available with Volvo Connect subscription
- **DRUT4** Driver utility app - "My Truck" - 4 year subscription
For mobile phone, tablet, with android and IOS systems.
Only available with Volvo Connect subscription
- **DRUT5** Driver utility app - "My Truck" - 5 year subscription
For mobile phone, tablet, with android and IOS systems.
Only available with Volvo Connect subscription