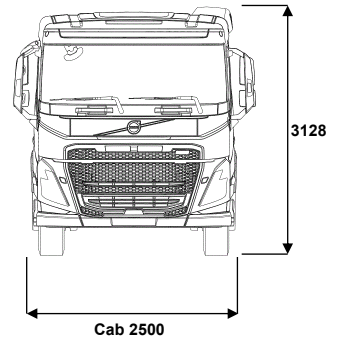
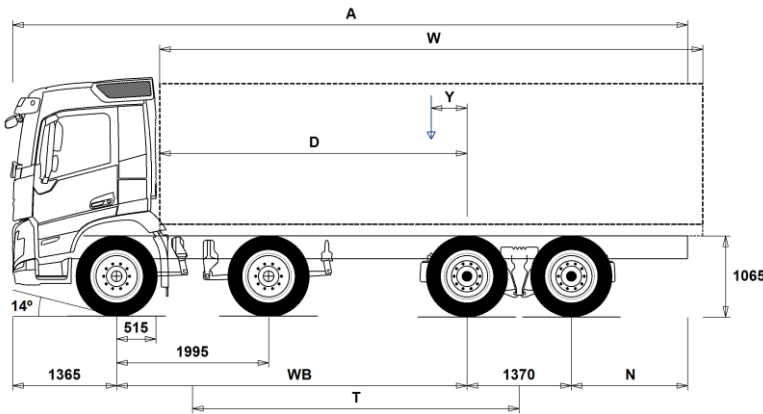


# MODEL RANGE

FM13 8x4 Rigid Air Suspension FM 84RF 3A



## Chassis Dimensions [mm]

WB Wheelbase	4600	5100	5600
A Overall Chassis Length	9860	10660	11410
D Center of rear axle to front of body	4035	4535	5035
N Rear Overhang (Min.)	825	825	1225
N Rear Overhang (Max.)	2525	2825	3075
T Theoretical Wheelbase	4288	4788	5288
Y Center of Gravity for Payload (Min.)	336	473	609
Y Center of Gravity for Payload (Max.)	336	473	609
W Body Length (Min.)	7397	8124	8851
W Body Length (Max.)	7397	8124	8851

## Chassis Weights [kg]

Front Axles	6670	6620	6580
Rear Bogie	2650	2775	2870
Kerb Weight	9320	9395	9450
Payload (including body, driver, fuel, etc.)	18180	18105	18050

## Turning Diameter [mm]

Turning Circle Diameter Kerb to Kerb	19000	20600	22200
Turning Circle Diameter Wall to Wall	20400	22000	23600

## Plated Weights [kg]

	Plated	Design
Gross Vehicle Weight	27500	34000
Gross Combination Weight	40500	44000
Front Axles	11000	13000
Rear Bogie	16500	21000

## Important Notes

### Chassis Dimensions

Cab Height: +328 mm for CAB-HSLP, -262 mm for CAB-LDAY, -262 mm for CAB-LSLP, +16 mm for CAB-SLP.

Front Axle to Back of Cab: +431 mm for CAB-HSLP and CAB-SLP, -69 mm for CAB-LDAY, +425 mm for CAB-LSLP.

D-measure includes a front clearance of 50 mm and for rigid trucks also a subframe of 100 mm.

Height can vary ± 20 mm for leaf and ± 10 mm for air suspension.

All dimensions are for unladen chassis and any tag axles down. Chassis height used: CHH-HIGH.

Rear overhang used for vehicle weight calculation is the maximum rear overhang (N Max.) for selected wheelbase.

Height change when chassis height CHH-MED,FRAME300: 0 mm.

Weight and dimensions are based upon the following tyres:

Front Axle Tyres: 315/80R22.5  
Drive Axle Tyres: 315/80R22.5

**Chassis weight includes oil, water, AdBlue, 0 litres fuel and without driver. Kerb weight can vary ± 3%.**

Turning diameters are theoretically calculated.

Legal weights can differ from country to country.

For more detailed weight information, including optional equipment weights, ask your Volvo sales contact to enter your specification into the Volvo Weight Information system (WIS).

Do NOT use this drawing for bodybuilding. Refer to Volvo Bodybuilder Instructions and chassis assembly drawing FM84RF3A.

# MODEL RANGE

## FM13 8x4 Rigid Air Suspension FM 84RF 3A

### Truck use

- RC-ROUGH** Operating class on/off road
- RC-SMOOT** Well Maintained Surfaced Roads >95% Driving Distance
- TIPP-PRE** Tipper preparation
- UNIFORM** Basic uniform vehicle

### Core components

- CHH-HIGH** Chassis Height High approx. 1025-1050mm (depending on tyre selection)
- CHH-MED** Approximate chassis height 900 mm
- CHH-XHIGH** Chassis Height Extra High approx. 1100-1162mm (depending on tyre selection)
- RADD-G2** Rear Air Suspension - High Clearance
- RADD-GR** Rear Air Suspension
- FM-DAY6** Day Cab
- FM-HSLP6** Globetrotter Cab
- FM-LDAY6** Low Day Cab
- FM-LSLP6** Low Sleeper Cab
- FM-SLP6** Sleeper Cab
- EU4SCR** Eu4 SCR (Selective Catalytic Reduction)
- EU5EEV** Eu5 SCR Enhanced Environmentally friendly Vehicle
- EU5SCR-M** Eu5 SCR Selective Catalytic Reduction ( mandatory )
- EU6SCR** Eu6 SCR (Particulate Filter & EGR) Single Stage Turbo
- D13S420A**
- D13S460A** Eu6 Fuelface 13 litre 460hp Engine
- D13S500A** Eu6 Fuelface 13 litre 500hp Engine
- D13A380** Eu3 Engine, 13A litre, 380 hp, 1900 Nm
- D13A420** Eu4 SCR engine, 13A litre, 520 hp, 2500 Nm
- D13A460** Eu4 SCR engine, 13A litre, 460 hp, 2100 Nm
- D13A500** Eu4 SCR engine, 13A litre, 500 hp, 2500 Nm
- D13C380** Eu5 SCR engine, 13C litre, 380hp, 1900nm
- D13C420** Eu5 SCR engine, 13C litre, 420hp, 2100nm
- D13C460** Engine, 13C litre, 460hp, 2300nm
- D13C500** Engine, 13C litre, 500hp, 2500nm
- D13K420** Eu6 13 litre Engine 420hp/2100nm/309kW
- D13K460** Eu6 13 litre Engine 460hp/2300nm/345kW
- D13K500** Eu6 13 litre Engine 500hp/2500nm/368kW
- EBR-EPG** Exhaust Pressure Governor
- EBR-EPGC** Engine Brake Compression EPG
- EBR-VEB** Volvo Engine Brake (VEB)
- EBR-VEB+** Volvo Engine Brake + (VEB+)
- AT2412** Volvo I-shift 12 Speed Automatic Transmission (2400nm)
- AT2612** Volvo I-shift 12 Speed Automatic Transmission (2600nm)
- AT2812** Volvo I-shift 12 Speed Automatic Transmission (2800nm)
- ATO2612** Volvo I-shift 12 Speed Automatic Transmission with Overdrive (2600nm)
- ATO3112** Volvo I-shift Automatic Transmission with Overdrive (3150nm)
- PT2606** Powertronic 6 Speed Transmission (2600nm)
- SPO2812** Volvo Dual Clutch I-shift - 12 Speed Semi Power Shift with Overdrive (2800nm)
- ASO-C** Crawler Gears
- ASO-ULC** Ultra Low Crawler Gears
- TAAXLIFT** Tandem axle lift
- RTH2610B** Volvo RTH2610B hub reduction rear axles  
4 planet gears per hub  
Axle rating: 26,000 kg  
115 tonne train weight  
(Application approved)
- RTH2610F** Hub Reduction Tandem 26t GCW100t (version F)
- RTS2310A** Single Reduction Tandem 23t GCW100t
- RTS2370A** Rear single reduction tandem axles  
Axle rating: 23,000 kg  
Cross axle diff lock & power divider

### Packages

- 1LIVINFM** 1 bed resting package
- 2LIVINFM** 2 bed resting package
- INFOBASE** Standard Level Information Platform

Standard Equipment       Optional Equipment

For more detailed information about cab and powertrain equipment, please refer to separate specification sheets.

For all possible options and combinations of options please consult your Volvo sales contact who can create a specification to match your requirements using the Volvo Sales Support system (VSS).

The factory reserves the right to modify design and change equipment without previous notification. The specification can vary from country to country.

- INFOHIGH** High Level Information Platform
- SAFEBAS**
- SAFEBAS2**
- SAFEPLU2**
- SAFEPLUS**
- OFFROADD** Construction package on Day Cab
- OFFROADS** Construction package on Sleeper Cab
- CHASPAC** Chassis Package - Rigid

### Chassis

- FST-AIR** Air Bag Front Suspension
- FST-PAR** Parabolic leaf spring front suspension
- FST-PAR3** 3 Leaf Parabolic Front Springs (stiffer than normal)
- FSL5-BAS** Front Suspension Levelling Stroke - Standard
- FAL16.0** Front axle load 16 tonnes
- FAL18.0** Front Axle Load 18 tonnes
- FAL20.0** Front Axle Load 20 tonnes
- FSTAB** Front stabilizer, normal stiffness
- FSTAB2** Front stabiliser bar increased stiffness
- FSTAB3** Heavy duty front stabiliser bar
- RAL21** Rear suspension load rating: 21,000 kg
- RAL23** Rear Axle Load 23 tonnes
- RAL26** Rear suspension load rating: 26,000 kg
- RSTAB1** Rear stabiliser bar
- RSTAB3** Heavy duty rear stabiliser bar
- RALIM105** Rear axle load limiter 10.5 tonnes (speed controlled)
- RALIM115** Rear axle load limiter 11.5 tonnes (speed controlled)
- RALIM13** Rear axle load limiter 13.0 tonnes
- RALIM15** Rear axle load limiter 15.0 tonnes
- RALIM95** Rear axle load limiter 9.5 tonnes
- ASF-DL1** Air susp. feature - 1 driving level
- ASF-DL3** Air susp. feature - 3 driving levels
- ACTST-TO** Volvo Dynamic Steering
- ASFE-BAS** Dynamic steering features - Standard
- ASFE-OG** Dynamic Steering Active Features - Oversteer Guidance
- ASFE-PO** Dynamic Steering Active Features - Personal Settings & Oversteer Guidance
- ASFE-PS** Dynamic Steering Active Features - Personal Settings
- PSS-DUAL** Dual power steering system
- PSS-SING** Single power steering system
- PSP-VAR** Power Steering Pump with Variable Displacement
- PSP-VAR2** Power Steering Pump with Electronic Control Variable Displacement
- EBS-MED** Electronic Brake System (EBS) contains  
ABS, Traction control, Hill start aid  
Diff lock control, Brake assist  
Wheel brake monitoring, EBS status
- EBS-STD** Electronic Brake System (EBS) contains  
ABS, Traction control, BCS
- AUXPARK** Auxiliary parking brake
- RST-AIR** Rear Air Suspension
- FRAME300** Frame rail height 300mm
- FST8080** Frame Section Thickness 8mm
- FIL-EEEB** Liner (inner) from end of engine to end of bogie
- FIL-EEEF** Liner (inner) from end of engine to end of frame
- FIL-FBEB** Liner (inner) - front of bogie to end of bogie
- FIL-FBEF** Liner (inner)- front of bogie to end of frame
- FIL-TXEB** Liner (inner) - trans x-mem to end of bogie
- FIL-TXEF** Liner (inner) - trans x-mem to end of frame
- BBOX-L** Battery box mounted on LHS chassis rail
- 2BAT210B** Two Batteries 210 Ah Gel
- 2BAT210C** Two Batteries 210 Ah AGM
- 2BATT170** Two Batteries 170 Ah

# MODEL RANGE

## FM13 8x4 Rigid Air Suspension FM 84RF 3A

<input type="checkbox"/> <b>2BATT225</b>	2x225 Ah batteries	<input type="checkbox"/> <b>TRBR-STA</b>	Stationary Trailer Brake Control
<input checked="" type="checkbox"/> <b>BATTAMP</b>	Battery Amperage Indicator (in the DID)	<input type="checkbox"/> <b>TRB-STRE</b>	Automatic Trailer Brake Activation (Stretch Brake)
<input type="checkbox"/> <b>BATTIND</b>	Battery Charge Indicator (in the DID)	<input type="checkbox"/> <b>RUP-FOSL</b>	Rear underrun prot. - foldable sliding
<input type="checkbox"/> <b>ADR1</b>	Standard ADR adaption - 1 switch	<input type="checkbox"/> <b>FFEND-B</b>	2nd steer mudguard- standard
<input type="checkbox"/> <b>ADR2</b>	Standard ADR adaption - 2 switches	<input type="checkbox"/> <b>FFEND-T</b>	2nd steer mudguard- transport mounted
<input type="checkbox"/> <b>MSWI-A</b>	Main Switch ADR	<input type="checkbox"/> <b>RFEND-B</b>	Rear mudguards - standard
<input type="checkbox"/> <b>MSWI-C</b>	Isolation Toggle Switch LHS of Chassis	<input type="checkbox"/> <b>RFEND-T</b>	Transport rear mudguards
<input checked="" type="checkbox"/> <b>MSWI-R</b>	Isolation Switch on Key Fob (Press Door Lock Twice to Isolate)	<input type="checkbox"/> <b>RFH-HIG</b>	Highest possible mudguard height
<input checked="" type="checkbox"/> <b>UR-FUEL</b>	Without RHS Fuel Tank Min volume 255l Max volume 810l	<input type="checkbox"/> <b>RFH-LOW</b>	Lowest possible mudguard height
<input checked="" type="checkbox"/> <b>UL-FUEL</b>	LHS fuel tank not fitted Min volume 160l Max volume 450l	<input type="checkbox"/> <b>ATANK-AL</b>	Aluminium airtanks
<input type="checkbox"/> <b>ADTP-L</b>	AdBlue Tank Position - LHS	<input type="checkbox"/> <b>TL-LED</b>	LED Tail Lights
<input type="checkbox"/> <b>ADTP-LF</b>	AdBlue tank position - LHS front	<input checked="" type="checkbox"/> <b>BLIGHT-E</b>	Emergency Brake Lights
<input checked="" type="checkbox"/> <b>ADTP-R</b>	AdBlue Tank Position - RHS	<input type="checkbox"/> <b>FRACLOS</b>	With frame closing
<input type="checkbox"/> <b>ADB032</b>	AdBlue Tank 32 litres	<b>Rims and Tyres</b>	
<input type="checkbox"/> <b>ADB048</b>	AdBlue Tank 48 litres	<input type="checkbox"/> <b>RT-AL</b>	10 Stud Alloy Disc Rims (with long wheel studs)
<input type="checkbox"/> <b>ADB064</b>	AdBlue Tank 64 litres	<input type="checkbox"/> <b>RT-AL1</b>	
<input type="checkbox"/> <b>ADTC-BF</b>	AdBlue Tank Cover - Bright Finish	<input type="checkbox"/> <b>RT-AL1DU</b>	
<input checked="" type="checkbox"/> <b>FCAP-L</b>	Fuel tank cap with lock	<input type="checkbox"/> <b>RT-ALDP</b>	10 Stud Dura-Bright Alloy Disc Rims (with long wheel studs)
<input checked="" type="checkbox"/> <b>FUFF-AS</b>	Fuel filling feature - anti spillage	<input type="checkbox"/> <b>RT-ALDPP</b>	10 Stud Dura-Bright Alloy Disc Rims (with short wheel studs)
<input type="checkbox"/> <b>FUFF-ATS</b>	Fuel filling feature - anti theft & spillage	<input type="checkbox"/> <b>RT-ALDU</b>	10 Stud Alloy Disc Rims (with short wheel studs)
<input type="checkbox"/> <b>ESH-LEFT</b>	Muffler horizontal, left exhaust outlet	<input type="checkbox"/> <b>RT-ALP</b>	10 Stud Polished Alloy Disc Rims (with long wheel studs)
<input checked="" type="checkbox"/> <b>ESH-REAR</b>	Low Mounted Muffler with Low Rear Facing Outlet	<input type="checkbox"/> <b>RT-ALPDU</b>	10 Stud Polished Alloy Disc Rims (with short wheel studs)
<input type="checkbox"/> <b>ESH-RIGH</b>	Muffler horizontal, right exhaust outlet	<input checked="" type="checkbox"/> <b>RT-STEEL</b>	10 Stud Steel Disc Rims
<input type="checkbox"/> <b>ESH-VERT</b>	Muffler horizontal, vertical exhaust outlet on right hand side	<input type="checkbox"/> <b>WCAP</b>	Wheel caps
<input type="checkbox"/> <b>ESV-VERT</b>	Single vertical exhaust/ vertical outlet	<input type="checkbox"/> <b>SPWT-D</b>	Spare rim & tyre equal to drive
<input type="checkbox"/> <b>EXST-SSP</b>	Stainless Steel Exhaust Stack	<input type="checkbox"/> <b>SPWT-F</b>	Spare rim & tyre equal to steer
<input type="checkbox"/> <b>WHC-FIX2</b>	Wheel chocks, qty 2 fixed	<input type="checkbox"/> <b>SWCP-LF</b>	Spare Wheel Carrier Front of Drive Axle. LHS
<input type="checkbox"/> <b>WHC-FOL2</b>	Wheel chocks, qty 2 foldable	<input type="checkbox"/> <b>SWCP-T</b>	Spare wheel supplied temporarily strapped to chassis
<input type="checkbox"/> <b>WHCP-F</b>	Wheel chocks position, front	<input type="checkbox"/> <b>SWCP-TP</b>	Transport mounted spare wheel on top of frame
<input type="checkbox"/> <b>WHCP-R</b>	Wheel chocks position, rear	<input type="checkbox"/> <b>JACK-12T</b>	12 tonne capacity jack with brace
<input type="checkbox"/> <b>WHCP-T</b>	Wheel chocks, transport mounted	<input type="checkbox"/> <b>JACK-15T</b>	15 tonne capacity jack and brace
<input type="checkbox"/> <b>TB-L80</b>	Toolbox 800 mm, left side	<input type="checkbox"/> <b>JACK-20T</b>	Jack - 20 Tonnes
<input type="checkbox"/> <b>TB-R80</b>	Toolbox 800 mm, right side	<input checked="" type="checkbox"/> <b>TOOL-BAS</b>	Basic tools
<input type="checkbox"/> <b>SUP-BAS</b>	Side underrun protection - standard	<input type="checkbox"/> <b>TOOLKIT</b>	Tool kit complete
<input type="checkbox"/> <b>SUP-LOW</b>	Side underrun protection - low	<input type="checkbox"/> <b>INFLAHOS</b>	Tyre inflation hose (18 metres)
<input type="checkbox"/> <b>CHAIN-S</b>	Snow chains	<input type="checkbox"/> <b>GAUGE-TP</b>	Tire pressure gauge
<input type="checkbox"/> <b>HOOK-SC</b>	Hooks for snow chains	<b>Powertrain equipment</b>	
<input checked="" type="checkbox"/> <b>TOWF-NO1</b>	One Towing Device - Front	<input type="checkbox"/> <b>TRAP-HD</b>	Heavy Duty Transmission Internals
<input type="checkbox"/> <b>TOWF-NO2</b>	Two Towing Devices - Front	<input checked="" type="checkbox"/> <b>DRM-BE</b>	Drive Mode - Balanced & Economy
<input type="checkbox"/> <b>TOWMBRH</b>	Tow member high mounting	<input checked="" type="checkbox"/> <b>DRM-E</b>	Drive Mode - Economy
<input type="checkbox"/> <b>TOWMBRL1</b>	Tow member low mounting position 1	<input type="checkbox"/> <b>PVT-BAS</b>	Standard - by GPS positioning
<input type="checkbox"/> <b>TOWMBRM</b>	Tow member medium mounting	<input type="checkbox"/> <b>PVT-MAP</b>	Preview Topography Information (High Resolution Topography Map)
<input type="checkbox"/> <b>C-RI4040</b>	Tow coupling Ringfeder 4040 G-150	<input checked="" type="checkbox"/> <b>CRUIS-E</b>	Extended Cruise Control (Additional Fuel Saving Functions)
<input type="checkbox"/> <b>C-RI4045</b>	Tow coupling Ringfeder 4045 G-150	<input checked="" type="checkbox"/> <b>CRUIS-E5</b>	Cruise Control (I-Torque)
<input type="checkbox"/> <b>C-RI5050</b>		<input type="checkbox"/> <b>AMSO-AUT</b>	Manual gear shift in automatic mode.
<input type="checkbox"/> <b>C-RO400G</b>	Tow coupling Rockinger 400 G150	<input type="checkbox"/> <b>AVO-ENH</b>	AMT Vocational option - enhanced
<input type="checkbox"/> <b>C-RO50</b>	Tow coupling Rockinger 50	<input type="checkbox"/> <b>APF-ENH</b>	Enhanced I-shift PTO functions
<input type="checkbox"/> <b>C-VBG520</b>		<input type="checkbox"/> <b>RET-TH</b>	Retarder for manual gearbox Compact durable design with easy control
<input type="checkbox"/> <b>C-VBG795</b>		<input type="checkbox"/> <b>RET-TPT</b>	Retarder for Powertronic Transmission
<input type="checkbox"/> <b>TOWR-ONE</b>	Single tow device	<input type="checkbox"/> <b>TC-HWO</b>	Transmission Oil Cooler
<input checked="" type="checkbox"/> <b>TREL-PK</b>	Trailer connection prep	<input type="checkbox"/> <b>TC-MAOH2</b>	High performance transmission cooler
<input type="checkbox"/> <b>TREL14</b>	14 pin elec. trailer connection	<input type="checkbox"/> <b>TC-MWO</b>	High performance transmission cooler
<input type="checkbox"/> <b>TREL15</b>	15 pin elec. trailer connection	<input type="checkbox"/> <b>TC-MWOH2</b>	High performance transmission cooler
<input type="checkbox"/> <b>TREL7</b>	7 pin elec. trailer connection (24N)	<input type="checkbox"/> <b>2COM1080</b>	High volume air compressor
<input type="checkbox"/> <b>TREL7-7</b>	2x7 pin elec. trailer connectors (24N & 24S)	<input type="checkbox"/> <b>2COM1100</b>	Air Compressor - 1100 litres/minute
<input type="checkbox"/> <b>TRBR-HCF</b>	Hand controlled trailer brake, full pressure	<input type="checkbox"/> <b>2COMP870</b>	Air Compressor - 870 litres/minute
<input type="checkbox"/> <b>TRBR-HCR</b>	Hand controlled trailer brake, reduced pressure	<input checked="" type="checkbox"/> <b>2COMP900</b>	Air Compressor - 900 litres/minute

Standard Equipment       Optional Equipment

For more detailed information about cab and powertrain equipment, please refer to separate specification sheets.

For all possible options and combinations of options please consult your Volvo sales contact who can create a specification to match your requirements using the Volvo Sales Support system (VSS).

The factory reserves the right to modify design and change equipment without previous notification. The specification can vary from country to country.

# MODEL RANGE

## FM13 8x4 Rigid Air Suspension FM 84RF 3A

- CLU-AIRC** Clutchable air compressor
- AIRIN-HI** High air intake, roofline position
- AIRIN-LO** Low air intake, rear of cab position
- ACL1ST-S** Air cleaner with two stage filter element
- 24A110BL** Alternator - 110 Amp
- 24A150BL** Alternator - 150 Amp
- 24A180BL** Alternator - 180 Amp
- 24AL110B** Alternator - 110 Amp
- 24AL150B** Alternator - 150 Amp (Eu5)
- PRIM-EL** Pump Prime - Electrical
- PRIM-MAN** Pump Prime - Manual
- FUEQ-EH** Fuel line heater equip.
- AF-E** Auxiliary fuel filter, electrically heated
- AF-R** Recirculation heated fuel filter
- FUEFE2LW** Dual fuel filter, engine mounted with water separator-large
- FUEFE2SW** Dual fuel filter, engine mounted with water separator-small
- EST-AID** Engine starting aid
- 220EBH15** 220V/1.5kw engine block heater
- PTER-100** PTO Engine Rear Mounted with Flange DIN100/ISO7646
- PTER-DIN** Power Take Off / splined shaft groove (female) DIN5462.
- PTER1400** Rear engine mounted power-take-off with flange SAE 1410
- HPE-F101** F1-101 Hydraulic pump rear engine mounted
- HPE-F41** F1-41 Hydraulic pump rear engine mounted
- HPE-F51** F1-51 Hydraulic pump rear engine mounted
- HPE-F61** F1-61 Hydraulic pump rear engine mounted
- HPE-F81** F1-81 Hydraulic pump rear engine mounted
- HPE-T53** F2-53/53 twin flow hyd pump rear engine mounted
- HPE-T70** F2-70/53 twin flow hyd pump rear engine mounted
- HPE-V45** V1-45 variable pump rear engine mounted
- HPE-V75** V1-75 variable pump rear engine mounted
- PTPT-D** PTO DIN - Powertronic
- PTPT-F** PTO Flange Connection - Powertronic
- PTR-D** Low speed PTO with DIN connection
- PTR-DH** High speed PTO with DIN connection
- PTR-DM** Medium speed PTO with DIN connection
- PTR-F** PTO Flange Connection - 100% speed
- PTRD-D** PTO with 2 DIN connections rear + 1 DIN connection front
- PTRD-F** PTO with 1 DIN + 1 flange connection rear
- HPG-F101** F1-101 hydraulic pump gearbox mounted
- HPG-F41** F1-41 hydraulic pump gearbox mounted
- HPG-F51** F1-51 hydraulic pump gearbox mounted
- HPG-F61** F1-61 hydraulic pump gearbox mounted
- HPG-F81** F1-81 hydraulic pump gearbox mounted
- STWM-LE** Steering wheel material - leather
- DRC-AMII** DPF Regeneration- Auto Initialise/Manual on Demand/Manual Inhibit
- 1DAYB** 1DAY-STD/SI-GRAF/basic setting
- 1DAYDIG** 1DAY-STD/SI-GRAF/digital
- 1DAYDIG4**
- ARSL** Additional road speed limiter
- ACCLF-D** Acceleration Limiting Feature - Disabled
- ACCLF-E** Acceleration Limiting Feature - Enabled
- ESP-BAS1** ESP Package (Tractor/Trailer Combinations with ABS/EBS Or Rigid with Standard COG)
- ESPC-RO** ESP functionality control reduced/off
- HWSS-AC** ACC & Forward Collision Warning
- HWSS-ACB** ACC & forward collision warning & emergency braking.
- HWSS-FCB** Forward Collision Warning including Emergency Braking
- LSS-DW** With lane departure system
- LSS-DW3** Pilot Assist - Active Continuous Lane Keeping
- LCS2** Lane Change Support with Side Collision Avoidance (LHS)
- LCS4**
- DAS-W** Driver alert support warning
- RSENS-W** Rain sensor to activate wipers
- CU-ECC** Climate controlled air conditioning
- CU-ECC2** Electronically Controlled Air Conditioning with Air Quality Sensor & Carbon Filter
- CU-MCC** Manual controlled air conditioning
- IGT-BUT** Ignition Type - Push Button
- IMMOBIL** Engine Immobiliser
- ALARM-E** Anti-theft alarm (cab & body/trailer)
- ISUNS-BS** Interior Side Sunvisor - Both Doors
- ISUNS-DS** Interior Side Sunvisor - Driver's Door
- ISUNF-B** Interior front sunvisor - standard
- ISUNF-MD** Interior front sunvisor - with mirror (driver's side)
- ISUNF-RE** Windscreen Interior Sunvisor - Electric
- ISUNF-RM** Windscreen Interior Sunvisor - Manual
- ADFS** 2 Din Slots in Front Shelf
- BUPALARM** Reverse alarm
- RTOLL-PK** Road toll prep kit
- LOADIND** Load indicator, electronic controlled suspension (SUSPL-EC)
- REMC-MF** Multifunction Wireless Remote Control
- FIREX3FR** Fire extinguisher, 3 kg, French decal
- FIREXT2F** Fire extinguisher, 2 kg, French decal
- FIREXT2G**
- FIREXT3D** Fire extinguisher, 3 kg, Danish decal
- FIREXT3F** Fire extinguisher, 3 kg, Finnish decal
- FIREXT3N** Fire extinguisher, 3 kg, Norwegian decal
- FIREXT3P** Fire extinguisher, 3kg, Portuguese decal
- FIREXT3S** 3kg fire extinguisher
- WARNVEST** Warning vest
- WARNTRI2** 2 warning triangles
- AIDKIT** First aid kit
- AIDKIT1B** First aid kit-German market demands
- WARNLAMP** Portable warning lamp
- LAMP-IN** Inspection lamp
- BULBKIT** Bulb and fuse kit
- WRITEPAD** Storable steering wheel fit clip board
- DST-CF1** Driver seat comfort suspended
- DST-CF4** Fully adjustable driver's comfort seat Air suspension
- DST-CF5** Fully adjustable driver's comfort seat Air suspension, heated, integrated safety belt
- DST-CF6** Fully adjustable driver's comfort seat Air suspension, integrated safety belt Driver seat standard, suspended
- DST-STD2**
- SBD-RED** Red safety belts, pass. & driver seats
- SBPRE-DS** Drivers seat belt pretensioner
- PST-BAS1** Basic passenger's seat
- PST-CF4** Fully adjustable passengers comfort seat Air suspension, integrated safety belt
- PST-CF5** Fully adjustable passenger comfort seat Air suspension, heated, safety belt
- PST-STD2** Passenger Seat Basic 2 Armrests
- PST-STD4** Passenger Seat Basic 2 Armrests Susp
- SBPRE-PS** Passenger seatbelt pretensioner
- ARMRE-BB** Armrests both sides - driver's & passenger's seat
- ARMRE-DB** Armrests both sides - driver's seat
- ARMRE-PB** Armrests both sides - passenger's seat
- ARU-BAS** Seat armrest upholstery - basic
- ARU-LEA** Seat armrest upholstery - leather

Standard Equipment       Optional Equipment

For more detailed information about cab and powertrain equipment, please refer to separate specification sheets.

For all possible options and combinations of options please consult your Volvo sales contact who can create a specification to match your requirements using the Volvo Sales Support system (VSS).

The factory reserves the right to modify design and change equipment without previous notification. The specification can vary from country to country.

# MODEL RANGE

## FM13 8x4 Rigid Air Suspension FM 84RF 3A

<input checked="" type="checkbox"/> <b>FMAT-RUB</b>	Floor Mats - Rubber	<input type="checkbox"/> <b>RCABS-A</b>	Rear Cab Suspension - Air Bellows
<input type="checkbox"/> <b>FMAT-TX2</b>	Floor Mats - Textile & Rubber	<input checked="" type="checkbox"/> <b>RCABS-M</b>	Rear Cab Suspension - Mechanical Spring
<input type="checkbox"/> <b>LBK70</b>	Lower Bunk 700mm Wide	<input type="checkbox"/> <b>MIRCFPCS</b>	Electrically Heated & Operated Convex Glass Mirrors with Front Monitoring Camera on Passenger Side
<input type="checkbox"/> <b>MATL-FI</b>	Spring Mattress Lower Bunk - Firm (100kg +)	<input type="checkbox"/> <b>MIRCFCPX</b>	Electrically Heated & Operated Convex Glass Mirrors with Front Monitoring Camera on Passenger Side
<input type="checkbox"/> <b>MATL-SF</b>	Mattress lower bunk - semi firm	<input type="checkbox"/> <b>MIRCMCP</b>	Camera Monitor System & Blind Spot Camera - Without Exterior Mirrors
<input type="checkbox"/> <b>OLMAT-BA</b>	Mattress overlay - basic	<input type="checkbox"/> <b>MIRCMS</b>	Camera Monitor System - Without Exterior Mirrors
<input type="checkbox"/> <b>OLMAT-PR</b>	Mattress overlay - premium	<input checked="" type="checkbox"/> <b>MIRCINF</b>	Electrically heated and operated exterior mirrors with wide angle mirrors on both sides and close view mirror on passenger side.
<input type="checkbox"/> <b>TBK60F</b>	Top bunk 600mm wide, foldable	<input type="checkbox"/> <b>MIRCINF</b>	Electrically Heated & Operated Convex Glass Mirrors
<input type="checkbox"/> <b>TBK70F</b>	Top Bunk 700mm Wide - Foldable	<input checked="" type="checkbox"/> <b>AMIR-F20</b>	Close view mirror
<input type="checkbox"/> <b>PH-CAB2</b>	Cab parking heater 2kw	<input type="checkbox"/> <b>SUNV-H</b>	Exterior Sunvisor
<input type="checkbox"/> <b>PH-ENGCA</b>	Cab and engine parking heater	<input type="checkbox"/> <b>AD-ROOF</b>	Aero-dynamic roof mounted deflector
<input type="checkbox"/> <b>PH-SS</b>	Cab parking heater short stop	<input type="checkbox"/> <b>AD-SIDES</b>	Aero-dynamic cab side deflectors
<input type="checkbox"/> <b>SLCP-BAS</b>	Sleeper Control Panel - Standard	<input type="checkbox"/> <b>HL-BASIC</b>	Standard head lamps
<input type="checkbox"/> <b>ETSB-F</b>	Engine Tunnel Storage Box	<input checked="" type="checkbox"/> <b>HL-LED</b>	LED Headlights
<input type="checkbox"/> <b>ETSB-FR</b>	Storage Box - Engine Tunnel & Rear Cab Wall	<input type="checkbox"/> <b>HBDA-A</b>	Automatic High Beam De-Activation
<input type="checkbox"/> <b>ETSB-FRS</b>	Engine Tunnel Storage Box - Front, Rear & Side	<input checked="" type="checkbox"/> <b>HL-CLEAN</b>	Head lamp cleaning system
<input type="checkbox"/> <b>ETSB-FS</b>	Engine Tunnel Storage Box - Front & Side	<input type="checkbox"/> <b>HLP-ST</b>	Headlight Protection - Steel
<input type="checkbox"/> <b>ETSB-R</b>	Rear Cab Wall Storage	<input type="checkbox"/> <b>HL-ADJ</b>	Headlight Adjustment - Manual
<input type="checkbox"/> <b>ETSB-RS</b>	Engine Tunnel Storage Box - Rear & Side	<input checked="" type="checkbox"/> <b>DRL-LED</b>	V-shaped LED Daytime Running Light
<input type="checkbox"/> <b>ETSB-S</b>	Engine Tunnel Storage Box & Right Side Space for Binder	<input type="checkbox"/> <b>DRIVL2</b>	Integrated driving lamps
<input type="checkbox"/> <b>RUS-BAS</b>	Rear Upper Cab Storage - 154 Litres for Sleeper/Globetrotter & 60 Litres for Day Cab	<input checked="" type="checkbox"/> <b>UDRIVL</b>	Without Integrated Driving Lights
<input type="checkbox"/> <b>RUS-HIG</b>	Rear Upper Cab Storage - 245 Litres	<input checked="" type="checkbox"/> <b>FOGL-WC</b>	Integrated fog lamps
<input type="checkbox"/> <b>REF-ICPK</b>	Refrigerator Preparation Kit on Engine Tunnel	<input type="checkbox"/> <b>CL-STAT</b>	Corner light-static
<input type="checkbox"/> <b>REFR-RUS</b>	28 Litre Refrigerator in Upper Rear Storage	<input type="checkbox"/> <b>ASL-RF2</b>	Spotlights Inside Globetrotter Sign Box
<input type="checkbox"/> <b>MICRO-PK</b>	Preparation Kit for Microwave	<input type="checkbox"/> <b>IDLAMP-A</b>	Identification Lamps - Amber
<input type="checkbox"/> <b>BOTH-D</b>	Bottle Holder in Driving Area	<input type="checkbox"/> <b>IDLAMP-W</b>	Identification Lamps - white
<input type="checkbox"/> <b>COFMA-PK</b>	Coffee maker prep kit	<input type="checkbox"/> <b>IDLMPSW</b>	Switch in cab for identification lamps
<input checked="" type="checkbox"/> <b>INLI-BAS</b>	Interior night lights	<input type="checkbox"/> <b>BEACOA2F</b>	2 amber rotating lights- front of roof
<input type="checkbox"/> <b>INLI-NL</b>	Interior White & Red (night) Light	<input type="checkbox"/> <b>BEACOA2R</b>	2 amber rotating lights- rear of roof
<input type="checkbox"/> <b>INLI-NLD</b>	Interior light including night light and dimmer function	<input type="checkbox"/> <b>BEACON-P</b>	Beacon Light Wire Preparation
<input type="checkbox"/> <b>ARL-FLEX</b>	Flexible Reading Lamp (Snake Light)	<input type="checkbox"/> <b>BEACONA4</b>	4 amber rotating lights
<input checked="" type="checkbox"/> <b>RH-EE</b>	Sky Window - Emergency Exit Roof Glass (tinted)	<input type="checkbox"/> <b>CABPT-R1</b>	1 cab roof pass through on driver's side
<input type="checkbox"/> <b>RH-ER</b>	Roof Hatch - Electric (Metal Emergency Exit)	<input checked="" type="checkbox"/> <b>CABPT-R2</b>	2 cab roof pass throughs, 1 on each side
<input type="checkbox"/> <b>RH-ETR</b>	Roof Hatch - Electric (Tinted Glass & Rear Opening)	<input type="checkbox"/> <b>SPOTP-F</b>	Aux spotlamp preparation, 280W maximum
<input type="checkbox"/> <b>RH-MTR</b>	Roof Hatch - Manual (Tinted Glass & Rear Opening)	<input type="checkbox"/> <b>SPOTP-R</b>	Spot light preparation on roof, max 280W
<input type="checkbox"/> <b>GLAS-UNT</b>	Clear window glass	<input type="checkbox"/> <b>SPOTP-RF</b>	Spot light preparation in front and on roof, max 280W
<input type="checkbox"/> <b>SWIND-BS</b>	Cab side window-both sides	<input type="checkbox"/> <b>ROS-IL</b>	Illuminated roof sign
<input type="checkbox"/> <b>SWIND-PS</b>	Cab Passenger Side Aux. Window	<input type="checkbox"/> <b>ROS-IL2</b>	Illuminated Cab Sign Prep Kit
<input type="checkbox"/> <b>AWIND-RF</b>	Cab Rear Window- Fitted	<input type="checkbox"/> <b>ROS-ILP</b>	Illuminated Cab Sign Prep Kit
<input type="checkbox"/> <b>VANMIR</b>	Vanity Mirror	<input type="checkbox"/> <b>CSGN-GTR</b>	Globetrotter decal
<input type="checkbox"/> <b>AS-FUS</b>	Auxiliary Shelf - Front Upper Storage	<input checked="" type="checkbox"/> <b>HORN-F1S</b>	Single Electric Jericho Air Horn (Behind Grill)
<input type="checkbox"/> <b>INFOT-PK</b>	LCD screen mount - 6kgs max	<input type="checkbox"/> <b>HORN-R2S</b>	Chromed air horns, two roof mounted
<b>Cab exterior</b>		<input type="checkbox"/> <b>ANT-CBR</b>	Antenna for CB Radio (Single Antenna)
<input type="checkbox"/> <b>EXTL-BA2</b>	Standard Exterior Trim Level 2	<input type="checkbox"/> <b>ACCBR-AP</b>	Accessory bracket-forward, mid & rearward roof mounted
<input checked="" type="checkbox"/> <b>EXTL-BAS</b>	Standard exterior trim level	<input type="checkbox"/> <b>ACCBR-F</b>	Accessory bracket-forward roof mounted
<input checked="" type="checkbox"/> <b>DGLAS-H</b>	Hardened Door Glass	<input type="checkbox"/> <b>ACCBR-FM</b>	Accessory bracket-forward & mid roof mounted
<input type="checkbox"/> <b>DGLAS-L</b>	Laminated Door Glass	<input type="checkbox"/> <b>ACCBR-FR</b>	Accessory bracket-forward & rearward roof mounted
<input checked="" type="checkbox"/> <b>BUMP-B</b>	Bumper - Plastic	<input type="checkbox"/> <b>ACCBR-M</b>	Accessory bracket-mid roof mounted
<input type="checkbox"/> <b>BUMP-B2</b>	Bumper - Steel	<input type="checkbox"/> <b>ACCBR-R</b>	Accessory bracket-rearward roof mounted
<input type="checkbox"/> <b>BUMP-SP</b>	Bumper spoiler	<input type="checkbox"/> <b>ACCBR-RM</b>	Accessory bracket-rearward & mid roof mounted
<input type="checkbox"/> <b>GUARD-EH</b>	Guard plate for cooling pipes and oil sump	<input type="checkbox"/> <b>REFS-TW</b>	Reflecting stripes transport mounted on cab - white
<input checked="" type="checkbox"/> <b>BUGNET</b>	Insect Net in Front of Radiator	<input type="checkbox"/> <b>REFS-TY</b>	Reflecting stripes transport mounted on cab - yellow
<input type="checkbox"/> <b>CTILT-P-E</b>	Electrical cab tilt pump	<b>Superstructure</b>	
<input checked="" type="checkbox"/> <b>CTILT-P-M</b>	Manual cab tilt pump	<input type="checkbox"/> <b>SRWL-2RW</b>	2 Rear Chassis Mounted Working Lamps - White
<input type="checkbox"/> <b>FCABS-A</b>	Front Cab Suspension - Air Bellows		
<input checked="" type="checkbox"/> <b>FCABS-M</b>	Front Cab Suspension - Mechanical Spring		

Standard Equipment       Optional Equipment

For more detailed information about cab and powertrain equipment, please refer to separate specification sheets.

For all possible options and combinations of options please consult your Volvo sales contact who can create a specification to match your requirements using the Volvo Sales Support system (VSS).

The factory reserves the right to modify design and change equipment without previous notification. The specification can vary from country to country.

# MODEL RANGE

## FM13 8x4 Rigid Air Suspension FM 84RF 3A

- **SRWL-PK** Wiring Prep for Chassis Mounted Reverse/Working Lamps - 3 Position Switch
- **SWL-2FW** 2 Side Working Lamps - White (Forward Facing)
- **SWL-2RW** 2 Side Working Lamps - White (Rearward Facing)
- **SWL-4W** 4 Side Working Lamps - White
- **SWL-PK** Wiring Prep for Chassis Mounted Working Lamps - 2 Position Switch
  
- **WL-CHPK** Chassis Mounted Working Light Prep Kit
- **WLC-H2W** 2 LED work lamps - High Mounted with White Lens.
- **WLC-PKH** Prep Kit for High Mounted Work Lamps
- **WLC-PKL** Prep Kit for Low Mounted Work Lamps
- **WLC-PKLH** Prep Kit for Low and High Mounted Work Lamps
- **ECBB-BAS** B/B Elect. Centre without B/B Module
- **ECBB-HIG** Body Builder Module - Cab Module (14 High/4 Low)
- **ECBB-MED** Body Builder Module - Cab Module (7 High/4 Low)
- **BBCHAS1** Body Builder Chassis Electrical Interface - 1 x 7 Pin Connector
- **BBCHAS3** Body Builder Chassis Electrical Interface - 3 x 7 Pin Connectors
  
- **BEPR-T2** Body Builder electrical prep. for tipper with remote control
- **EXSTER** External Steering via Body Builder's Module
- **TD-LED** LED trailer detection sensor
- **FRFS-BS** Frame Rail Free Space - Both Sides
- **FBA-BTF** Front body attachment- flexible
- **FBA-BTSF** Front body attachment-semi flexible
- **HBA-FSFB** Holes for Body Attachments, Flexible & Semi Flexible
- **HBA-SB** Holes for Body Attachments
- **RBA-T2** Rear body attachment type 2-divided
- **CRANEPK1** Crane interface for capacity up to 10t
- **CRANEPK2** Crane interface for capacity up to 20t
- **CRANEPK4** Crane interface for capacity up to 40t
- **AUXL-SPK** Aux. lamps snow ploug prep kit
- **TAILPRE2** Taillift preparation kit for wireless remote
- **TAILPREP** Taillift preparation kit
- **AESW2** 2 Flexible Switches (AUX1 and AUX2).
- **AESW2PK** 2 Flexible Switches (AUX1 & AUX2) + Additional 4 Flexible Switches
- **AUXSW-4** Wiring Prep. for 4 Extra Bodybuilder Switches (switches not included)

### Delivery services

- **TGW-4GWL** Telematics Gateway with 4G/LTE & WLAN
- **TGW-PK** Telematics gateway prep kit
- **FMS-PK** Fleet management system gateway
- **DRUT1** "My Truck" Smartphone App. 1 Year Prepaid
- **DRUT2** "My Truck" Smartphone App. 2 Year Prepaid
- **DRUT3** "My Truck" Smartphone App. 3 Year Prepaid
- **DRUT4** "My Truck" Smartphone App. 4 Year Prepaid
- **DRUT5** "My Truck" Smartphone App. 5 Year Prepaid
- **TSRS** Traffic Sign Recognition System (ISA Compliant)
- **TSRS2** Traffic Sign Recognition System