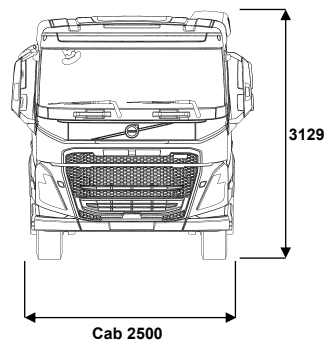
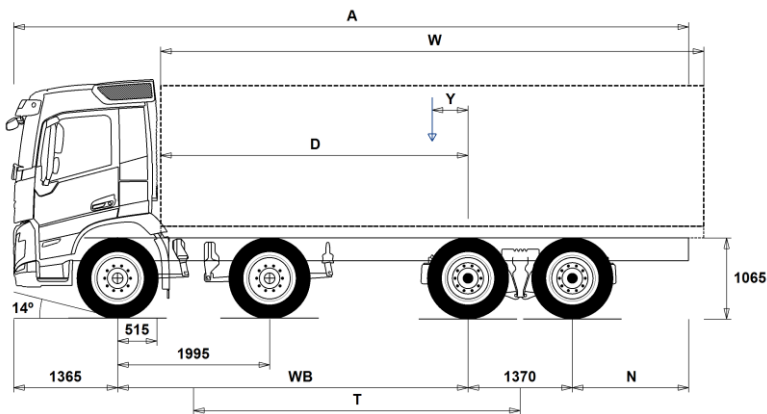


MODEL RANGE

FM11 8x4 Rigid Air Suspension FM 84RF 1A



Chassis Dimensions [mm]

WB Wheelbase	4600	5100	5600
A Overall Chassis Length	9860	10660	11410
D Center of rear axle to front of body	4035	4535	5035
N Rear Overhang (Min.)	825	825	1225
N Rear Overhang (Max.)	2525	2825	3075
T Theoretical Wheelbase	4288	4788	5288
Y Center of Gravity for Payload (Min.)	369	508	647
Y Center of Gravity for Payload (Max.)	369	508	647
W Body Length (Min.)	7332	8054	8776
W Body Length (Max.)	7332	8054	8776

Chassis Weights [kg]

Front Axles	6500	6455	6420
Rear Bogie	2690	2810	2900
Kerb Weight	9190	9265	9320
Payload (including body, driver, fuel, etc.)	18310	18235	18180

Turning Diameter [mm]

Turning Circle Diameter Kerb to Kerb	19000	20600	22200
Turning Circle Diameter Wall to Wall	20400	22000	23600

Plated Weights [kg]

	Plated	Design
Gross Vehicle Weight	27500	34000
Gross Combination Weight	40500	44000
Front Axles	11000	13000
Rear Bogie	16500	21000

Important Notes

Chassis Dimensions

Cab Height: +328 mm for CAB-HSLP, -262 mm for CAB-LDAY, -262 mm for CAB-LSLP, +16 mm for CAB-SLP.
 Front Axle to Back of Cab: +431 mm for CAB-HSLP and CAB-SLP, -69 mm for CAB-LDAY, +425 mm for CAB-LSLP.
 D-measure includes a front clearance of 50 mm and for rigid trucks also a subframe of 100 mm.
 Height can vary ± 20 mm for leaf and ± 10 mm for air suspension.
 All dimensions are for unladen chassis and any tag axles down. Chassis height used: CHH-HIGH.
 Rear overhang used for vehicle weight calculation is the maximum rear overhang (N Max.) for selected wheelbase.
 Height change when chassis height CHH-MED,FRAME300: 0 mm.

Weight and dimensions are based upon the following tyres:

Front Axle Tyres: 315/80R22.5
 Drive Axle Tyres: 315/80R22.5

Chassis weight includes oil, water, AdBlue, 0 litres fuel and without driver. Kerb weight can vary ± 3%.

Turning diameters are theoretically calculated.

Legal weights can differ from country to country.

For more detailed weight information, including optional equipment weights, ask your Volvo sales contact to enter your specification into the Volvo Weight Information system (WIS).

Do NOT use this drawing for bodybuilding. Refer to Volvo Bodybuilder Instructions and chassis assembly drawing FM84RF1A.

MODEL RANGE

FM11 8x4 Rigid Air Suspension FM 84RF 1A

Core components

- **CHH-HIGH** Chassis Height High approx. 1025-1050mm (depending on tyre selection)
- **RADD-GR** Rear Air Suspension
- **FM-DAY6** Day Cab
- **FM-HSLP6** Globetrotter Cab
- **FM-LDAY6** Low Day Cab
- **FM-LSLP6** Low Sleeper Cab
- **FM-SLP6** Sleeper Cab
- **EU5SCR-M** Eu5 SCR Selective Catalytic Reduction (mandatory)
- **EU6SCR** Eu6 SCR (Particulate Filter & EGR) Single Stage Turbo
- **D11S380A** Eu6 Fuelface 11 litre 380hp Engine
- **D11S430A** Eu6 Fuelface 11 litre 430hp Engine
- **D11S460A** Eu6 Fuelface 11 litre 460hp Engine
- **D11C330** Eu5 11 litre engine 330hp/1600 Nm/243kW
- **D11C370** Eu5 11 litre engine 370hp/1750 Nm/272kW
- **D11C410** Eu5 11 litre engine 410hp/1950 Nm/302kW
- **D11C450** Eu5 11 litre engine 450hp/2150 Nm/332kW
- **D11K380** Eu6 11 litre Engine 380hp/1800nm/280kW
- **D11K430** Eu6 11 litre Engine 430hp/2050nm/317kW
- **D11K460** Eu6 11 litre Engine 460hp/2200nm/339kW
- **EBR-VEB** Volvo Engine Brake (VEB)
- **AT2612** Volvo I-shift 12 Speed Automatic Transmission (2600nm)
- **RTS2370B** Single Reduction Tandem 23t GCW70t

Packages

- **INFOHIGH** High Level Information Platform

Chassis

- **FST-AIR** Air Bag Front Suspension
- **FST-PAR** Parabolic leaf spring front suspension
- **FSLB-BAS** Front Suspension Levelling Stroke - Standard
- **FAL13.0** Front axle rating: 13,000 kg
- **FAL16.0** Front axle load 16 tonnes
- **LDFA** Load Sharing Front Suspension
- **FSTAB2** Front stabiliser bar increased stiffness
- **FSTAB3** Heavy duty front stabiliser bar
- **RAL21** Rear suspension load rating: 21,000 kg
- **RSTAB3** Heavy duty rear stabiliser bar
- **ACTST-TO** Volvo Dynamic Steering
- **ASFE-PO** Dynamic Steering Active Features - Personal Settings & Oversteer Guidance
- **PSS-DUAL** Dual power steering system
- **PSP-VAR** Power Steering Pump with Variable Displacement
- **EBS-MED** Electronic Brake System (EBS) contains ABS, Traction control, Hill start aid Diff lock control, Brake assist Wheel brake monitoring, EBS status
- **AUXPARK** Auxiliary parking brake
- **FST8080** Frame Section Thickness 8mm
- **FIL-EEEF** Liner (inner) from end of engine to end of frame
- **FIL-FBEB** Liner (inner) - front of bogie to end of bogie
- **FIL-FBEF** Liner (inner)- front of bogie to end of frame
- **FIL-TXEB** Liner (inner) - trans x-mem to end of bogie
- **FIL-TXEF** Liner (inner) - trans x-mem to end of frame
- **BBOX-L** Battery box mounted on LHS chassis rail
- **2BATT225** 2x225 Ah batteries
- **BATTAMP** Battery Amperage Indicator (in the DID)
- **MSWI-C** Isolation Toggle Switch LHS of Chassis
- **MSWI-R** Isolation Switch on Key Fob (Press Door Lock Twice to Isolate)

- **R415A66** RHS 415 litre alloy fuel tank w/o step
Min volume 330l
Max volume 530l
- **ADTP-L** AdBlue Tank Position - LHS
- **ADTP-R** AdBlue Tank Position - RHS
- **ADB032** AdBlue Tank 32 litres
- **ADB064** AdBlue Tank 64 litres
- **ADB090** AdBlue Tank 90 litres
- **FCAP-L** Fuel tank cap with lock
- **ESH-RIGH** Muffler horizontal, right exhaust outlet
- **ESH-VERT** Muffler horizontal, vertical exhaust outlet on right hand side
- **EXST-SSP** Stainless Steel Exhaust Stack
- **TRBR-HCR** Hand controlled trailer brake, reduced pressure
- **TRBR-STA** Stationary Trailer Brake Control
- **TRB-STRE** Automatic Trailer Brake Activation (Stretch Brake)
- **TL-LED** LED Tail Lights
- **BLIGHT-E** Emergency Brake Lights

Rims and Tyres

- **RT-AL** 10 Stud Alloy Disc Rims (with long wheel studs)
- **RT-AL1**
- **RT-AL1DU**
- **RT-ALDP** 10 Stud Dura-Bright Alloy Disc Rims (with long wheel studs)
- **RT-ALDPD** 10 Stud Dura-Bright Alloy Disc Rims (with short wheel studs)
- **RT-ALDU** 10 Stud Alloy Disc Rims (with short wheel studs)
- **RT-ALP** 10 Stud Polished Alloy Disc Rims (with long wheel studs)
- **RT-ALPDU** 10 Stud Polished Alloy Disc Rims (with short wheel studs)
- **RT-STEEL** 10 Stud Steel Disc Rims
- **SPWT-D** Spare rim & tyre equal to drive
- **SPWT-F** Spare rim & tyre equal to steer
- **SWCP-T2** Transport Mounted Spare Wheel
- **JACK-12T** 12 tonne capacity jack with brace
- **JACK-15T** 15 tonne capacity jack and brace
- **TOOL-BAS** Basic tools
- **TOOLKIT** Tool kit complete
- **INFLAHOS** Tyre inflation hose (18 metres)

Powertrain equipment

- **DRM-BE** Drive Mode - Balanced & Economy
- **DRM-E** Drive Mode - Economy
- **PVT-MAP** Preview Topography Information (High Resolution Topography Map)
- **CRUIS-E** Extended Cruise Control (Additional Fuel Saving Functions)
- **AMSO-AUT** Manual gear shift in automatic mode.
- **AVO-ENH** AMT Vocational option - enhanced
- **APF-ENH** Enhanced I-shift PTO functions
- **TC-MAOH2** High performance transmission cooler
- **2COM1080** High volume air compressor
- **2COM1100** Air Compressor - 1100 litres/minute
- **AIRIN-HI** High air intake, roofline position
- **AIRIN-LO** Low air intake, rear of cab position
- **ACL1ST-S** Air cleaner with two stage filter element
- **24A110BL** Alternator - 110 Amp
- **24A150BL** Alternator - 150 Amp
- **24AL150B** Alternator - 150 Amp (Eu5)
- **PRIM-EL** Pump Prime - Electrical
- **PRIM-MAN** Pump Prime - Manual
- **PTER-100** PTO Engine Rear Mounted with Flange DIN100/ISO7646
- **PTER-DIN** Power Take Off / splined shaft groove (female) DIN5462.
- **PTER1400** Rear engine mounted power-take-off with flange SAE 1410

- Standard Equipment
- Optional Equipment

For more detailed information about cab and powertrain equipment, please refer to separate specification sheets.

For all possible options and combinations of options please consult your Volvo sales contact who can create a specification to match your requirements using the Volvo Sales Support system (VSS).

The factory reserves the right to modify design and change equipment without previous notification. The specification can vary from country to country.

MODEL RANGE

FM11 8x4 Rigid Air Suspension FM 84RF 1A

- HPE-F101** F1-101 Hydraulic pump rear engine mounted
- HPE-F41** F1-41 Hydraulic pump rear engine mounted
- HPE-F51** F1-51 Hydraulic pump rear engine mounted
- HPE-F61** F1-61 Hydraulic pump rear engine mounted
- HPE-F81** F1-81 Hydraulic pump rear engine mounted
- HPE-T53** F2-53/53 twin flow hyd pump rear engine mounted
- HPE-T70** F2-70/53 twin flow hyd pump rear engine mounted
- HPE-V45** V1-45 variable pump rear engine mounted
- HPE-V75** V1-75 variable pump rear engine mounted

- PTPT-D** PTO DIN - Powertronic
- PTPT-F** PTO Flange Connection - Powertronic
- PTR-D** Low speed PTO with DIN connection
- PTR-DH** High speed PTO with DIN connection
- PTR-DM** Medium speed PTO with DIN connection
- PTR-F** PTO Flange Connection - 100% speed
- PTRD-D** PTO with 2 DIN connections rear + 1 DIN connection front
- PTRD-F** PTO with 1 DIN + 1 flange connection rear

- HPG-F101** F1-101 hydraulic pump gearbox mounted
- HPG-F41** F1-41 hydraulic pump gearbox mounted
- HPG-F61** F1-61 hydraulic pump gearbox mounted
- HPG-F81** F1-81 hydraulic pump gearbox mounted

- DRC-AMI1** DPF Regeneration- Auto Initialise/Manual on Demand/Manual Inhibit

- **ESP-BAS1** ESP Package (Tractor/Trailer Combinations with ABS/EBS Or Rigid with Standard COG)

- **HWSS-ACB** ACC & forward collision warning & emergency braking.

- **LSS-DW** With lane departure system
- LSS-DW3** Pilot Assist - Active Continuous Lane Keeping

- **LCS2** Lane Change Support with Side Collision Avoidance (LHS)

- **DAS-W** Driver alert support warning

- RSSENS-W** Rain sensor to activate wipers

- CU-ECC** Climate controlled air conditioning
- **CU-MCC** Manual controlled air conditioning

- IGT-BUT** Ignition Type - Push Button

- IMMOBIL** Engine Immobiliser

- ALARM-B** Anti-theft alarm (cab)

- **ISUNS-DS** Interior Side Sunvisor - Driver's Door

- ISUNF-B** Interior front sunvisor - standard
- ISUNF-MD** Interior front sunvisor - with mirror (driver's side)
- ISUNF-RE** Windscreen Interior Sunvisor - Electric
- **ISUNF-RM** Windscreen Interior Sunvisor - Manual

- ADFS** 2 Din Slots in Front Shelf

- **BUPALARM** Reverse alarm

- LOADIND** Load indicator, electronic controlled suspension (SUSPL-EC)

- REMC-MF** Multifunction Wireless Remote Control

- **FIREX25A** Fire Extinguisher - 2.5 kg

- **WRITEPAD** Storable steering wheel fit clip board

- **DST-CF5** Fully adjustable driver's comfort seat
Air suspension, heated, integrated safety belt

- SBD-RED** Red safety belts, pass. & driver seats

- **SBPRE-DS** Drivers seat belt pretensioner

- **PST-BAS1** Basic passenger's seat
- PST-CF5** Fully adjustable passenger comfort seat
Air suspension, heated, safety belt

- SBPRE-PS** Passenger seatbelt pretensioner

- ARMRE-BB** Armrests both sides - driver's & passenger's seat
- **ARMRE-DB** Armrests both sides - driver's seat

- **ARU-BAS** Seat armrest upholstery - basic

- **FMAT-RUB** Floor Mats - Rubber
- FMAT-TX2** Floor Mats - Textile & Rubber

- LBK70** Lower Bunk 700mm Wide

- MATL-FI** Spring Mattress Lower Bunk - Firm (100kg +)
- MATL-SF** Mattress lower bunk - semi firm

- OLMAT-BA** Mattress overlay - basic

- TBK70F** Top Bunk 700mm Wide - Foldable

- SAFE** Safe box at bed-end

- ETSB-F** Engine Tunnel Storage Box
- ETSB-FR** Storage Box - Engine Tunnel & Rear Cab Wall
- ETSB-R** Rear Cab Wall Storage

- RUS-BAS** Rear Upper Cab Storage - 154 Litres for Sleeper/Globetrotter & 60 Litres for Day Cab
- RUS-HIG** Rear Upper Cab Storage - 245 Litres

- TABLE** Table

- REF-ICPK** Refrigerator Preparation Kit on Engine Tunnel
- REFR-RUS** 28 Litre Refrigerator in Upper Rear Storage

- MICRO-PK** Preparation Kit for Microwave

- BOTH-D** Bottle Holder in Driving Area

- **INLI-BAS** Interior night lights
- INLI-NL** Interior White & Red (night) Light
- INLI-NLD** Interior light including night light and dimmer function

- ARL-FLEX** Flexible Reading Lamp (Snake Light)

- RH-ER** Roof Hatch - Electric (Metal Emergency Exit)
- **RH-MTR** Roof Hatch - Manual (Tinted Glass & Rear Opening)

- SWIND-PS** Cab Passenger Side Aux. Window

- **AWIND-RF** Cab Rear Window- Fitted

- VANMIR** Vanity Mirror

- AS-FUS** Auxiliary Shelf - Front Upper Storage

- INFOT-PK** LCD screen mount - 6kgs max

Cab exterior

- EXTL-BA2** Standard Exterior Trim Level 2
- **EXTL-BAS** Standard exterior trim level

- **DGLAS-H** Hardened Door Glass
- DGLAS-L** Laminated Door Glass

- **BUMP-B** Bumper - Plastic
- BUMP-B2** Bumper - Steel

- WILDBAR** Wildbar

- BUMP-SP** Bumper spoiler

- **BUGNET** Insect Net in Front of Radiator

- **CTILT-P-E** Electrical cab tilt pump

- **FCABS-M** Front Cab Suspension - Mechanical Spring
- RCABS-A** Rear Cab Suspension - Air Bellows
- **RCABS-M** Rear Cab Suspension - Mechanical Spring

- MIRCMS** Camera Monitor System - Without Exterior Mirrors
- **MIRFLACP** Electrically Heated & Operated Flat Glass Mirrors with Front Monitoring Camera on Passenger Side

- AMIR-F20** Close view mirror

- **SUNV-H** Exterior Sunvisor

- AD-ROOF** Aero-dynamic roof mounted deflector
- AD-SIDES** Aero-dynamic cab side deflectors

- GUARD-W** Windscreen Stoneguard

- **HL-BASIC** Standard head lamps
- HL-LED** LED Headlights

■ Standard Equipment □ Optional Equipment

For more detailed information about cab and powertrain equipment, please refer to separate specification sheets.

For all possible options and combinations of options please consult your Volvo sales contact who can create a specification to match your requirements using the Volvo Sales Support system (VSS).

The factory reserves the right to modify design and change equipment without previous notification. The specification can vary from country to country.

MODEL RANGE

FM11 8x4 Rigid Air Suspension FM 84RF 1A

- **HBDA-A** Automatic High Beam De-Activation
- **HL-CLEAN** Head lamp cleaning system
- **HLP-ST** Headlight Protection - Steel
- **HL-ADJ** Headlight Adjustment - Manual
- **DRL-LED** V-shaped LED Daytime Running Light
- **DRIVL2** Integrated driving lamps
- **UDRIVL** Without Integrated Driving Lights
- **FOGL-WC** Integrated fog lamps
- **CL-STAT** Corner light-static
- **ASL-RF2** Spotlights Inside Globetrotter Sign Box
- **IDLAMP-A** Identification Lamps - Amber
- **BEACON-P** Beacon Light Wire Preparation
- **SPOTP-F** Aux spotlamp preparation, 280W maximum
- **CSGN-GTR** Globetrotter decal
- **ANT-CBR** Antenna for CB Radio (Single Antenna)

Superstructure

- **SRWL-2RW** 2 Rear Chassis Mounted Working Lamps - White
- **SRWL-PK** Wiring Prep for Chassis Mounted Reverse/Working Lamps - 3 Position Switch
- **SWL-2FW** 2 Side Working Lamps - White (Forward Facing)
- **SWL-2RW** 2 Side Working Lamps - White (Rearward Facing)
- **SWL-4W** 4 Side Working Lamps - White
- **SWL-PK** Wiring Prep for Chassis Mounted Working Lamps - 2 Position Switch
- **WL-CHPK** Chassis Mounted Working Light Prep Kit
- **WLC-H2W** 2 LED work lamps - High Mounted with White Lens.
- **WLC-PKH** Prep Kit for High Mounted Work Lamps
- **ECBB-HIG** Body Builder Module - Cab Module (14 High/4 Low)
- **ECBB-MED** Body Builder Module - Cab Module (7 High/4 Low)
- **BBCHAS3** Body Builder Chassis Electrical Interface - 3 x 7 Pin Connectors
- **FRFS-BS** Frame Rail Free Space - Both Sides
- **AESW2** 2 Flexible Switches (AUX1 and AUX2).
- **AESW2PK** 2 Flexible Switches (AUX1 & AUX2) + Additional 4 Flexible Switches
- **AUXSW-4** Wiring Prep. for 4 Extra Bodybuilder Switches (switches not included)

Delivery services

- **TGW-4GWL** Telematics Gateway with 4G/LTE & WLAN
- **FMS-PK** Fleet management system gateway
- **DRUT1** "My Truck" Smartphone App. 1 Year Prepaid
- **DRUT2** "My Truck" Smartphone App. 2 Year Prepaid
- **DRUT3** "My Truck" Smartphone App. 3 Year Prepaid
- **DRUT4** "My Truck" Smartphone App. 4 Year Prepaid
- **DRUT5** "My Truck" Smartphone App. 5 Year Prepaid
- **TSRS2** Traffic Sign Recognition System

Volvo Trucks. Driving Progress