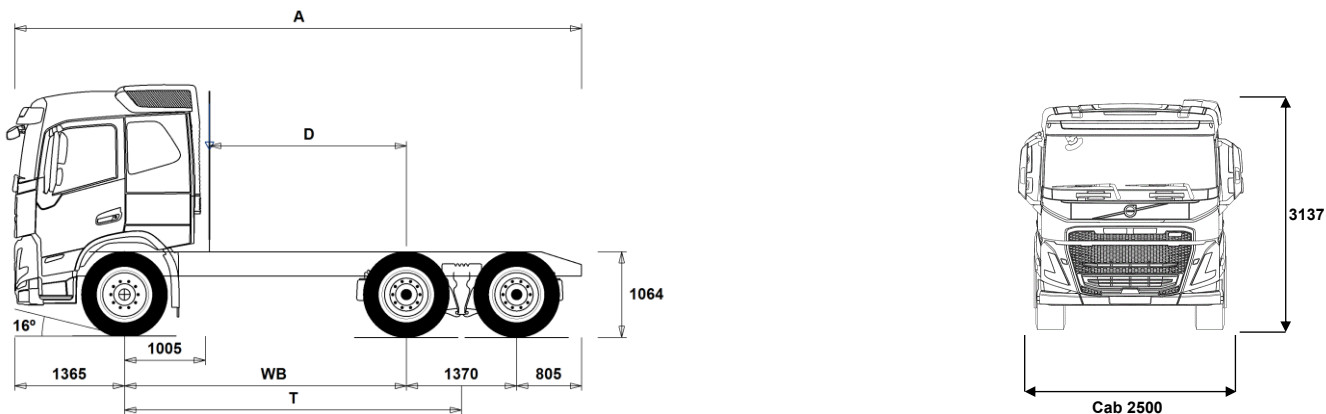


# MODEL RANGE

FM13 6x4 Tractor Air Suspension (Europe Built) FM 64T 3A



## Chassis Dimensions [mm]

WB Wheelbase	3000	3100	3200	3400	3600
A Overall Chassis Length	6540	6640	6740	6940	7140
D Center of rear axle to back of cab	1945	2045	2145	2345	2545
T Theoretical Wheelbase	3685	3785	3885	4085	4285

## Chassis Weights [kg]

Front Axle	4735	4740	4755	4775	4790
Rear Bogie	3590	3585	3585	3590	3590
Kerb Weight	8325	8325	8340	8365	8380

## Turning Diameter [mm]

Turning Circle Diameter Kerb to Kerb	13300	13600	13900	14500	15100
Turning Circle Diameter Wall to Wall	14700	15000	15300	15900	16500

## Plated Weights [kg]

	Plated	Design
Gross Vehicle Weight	23000	28100
Gross Combination Weight	42500	44000
Front Axle	6500	7100
Rear Bogie	16500	21000

## Important Notes

### Chassis Dimensions

Cab Height: -16 mm for CAB-DAY, +312 mm for CAB-HSLP, -278 mm for CAB-LDAY, -278 mm for CAB-LSLP.

Front Axle to Back of Cab: -422 mm for CAB-DAY and CAB-LDAY.

D-measure includes a front clearance of 50 mm and for rigid trucks also a subframe of 100 mm.

Height can vary ± 20 mm for leaf and ± 10 mm for air suspension.

All dimensions are for unladen chassis and any tag axles down. Chassis height used: CHH-HIGH.

Height change when chassis height CHH-MED,FRAME300: 0 mm.

Weight and dimensions are based upon the following tyres:

Front Axle Tyres: 315/80R22.5  
 Drive Axle Tyres: 315/80R22.5

**Chassis weight includes oil, water, AdBlue, 0 litres fuel and without driver. Kerb weight can vary ± 3%.**

Turning diameters are theoretically calculated.

Legal weights can differ from country to country.

For more detailed weight information, including optional equipment weights, ask your Volvo sales contact to enter your specification into the Volvo Weight Information system (WIS).

Do NOT use this drawing for bodybuilding. Refer to Volvo Bodybuilder Instructions and chassis assembly drawing FM64T3A.

# MODEL RANGE

## FM13 6x4 Tractor Air Suspension (Europe Built) FM 64T 3A

### Truck use

- RC-ROUGH** Operating class on/off road
- RC-SMOOTH** Well Maintained Surfaced Roads >95% Driving Distance

### Core components

- CHH-HIGH** Chassis Height High approx. 1025-1050mm (depending on tyre selection)
- CHH-MED** Approximate chassis height 900 mm
- CHH-XHIGH** Chassis Height Extra High approx. 1100-1162mm (depending on tyre selection)
- RADD-G2** Rear Air Suspension - High Clearance
- RADD-GR** Rear Air Suspension
- FM-DAY6** Day Cab
- FM-HSLP6** Globetrotter Cab
- FM-LDAY6** Low Day Cab
- FM-LSLP6** Low Sleeper Cab
- FM-SLP6** Sleeper Cab
- EU4SCR** Eu4 SCR (Selective Catalytic Reduction)
- EU5EEV** Eu5 SCR Enhanced Environmentally friendly Vehicle
- EU5SCR-M** Eu5 SCR Selective Catalytic Reduction ( mandatory )
- EU6SCR** Eu6 SCR (Particulate Filter & EGR) Single Stage Turbo
- D13S420A**
- D13S460A** Eu6 Fuelface 13 litre 460hp Engine
- D13S500A** Eu6 Fuelface 13 litre 500hp Engine
- D13A380** Eu3 Engine, 13A litre, 380 hp, 1900 Nm
- D13A420** Eu4 SCR engine, 13A litre, 520 hp, 2500 Nm
- D13A460** Eu4 SCR engine, 13A litre, 460 hp, 2100 Nm
- D13A500** Eu4 SCR engine, 13A litre, 500 hp, 2500 Nm
- D13C380** Eu5 SCR engine, 13C litre, 380hp, 1900nm
- D13C420** Eu5 SCR engine, 13C litre, 420hp, 2100nm
- D13C460** Engine, 13C litre, 460hp, 2300nm
- D13C500** Engine, 13C litre, 500hp, 2500nm
- D13K420** Eu6 13 litre Engine 420hp/2100nm/309kW
- D13K460** Eu6 13 litre Engine 460hp/2300nm/345kW
- D13K500** Eu6 13 litre Engine 500hp/2500nm/368kW
- EBR-EPG** Exhaust Pressure Governor
- EBR-EPGC** Engine Brake Compression EPG
- EBR-VEB** Volvo Engine Brake (VEB)
- EBR-VEB+** Volvo Engine Brake + (VEB+)
- AT2412** Volvo I-shift 12 Speed Automatic Transmission (2400nm)
- AT2612** Volvo I-shift 12 Speed Automatic Transmission (2600nm)
- AT2812** Volvo I-shift 12 Speed Automatic Transmission (2800nm)
- ATO2612** Volvo I-shift 12 Speed Automatic Transmission with Overdrive (2600nm)
- ATO3112** Volvo I-shift Automatic Transmission with Overdrive (3150nm)
- PT2606** Powertronic 6 Speed Transmission (2600nm)
- SPO2812** Volvo Dual Clutch I-shift - 12 Speed Semi Power Shift with Overdrive (2800nm)
- ASO-C** Crawler Gears
- ASO-ULC** Ultra Low Crawler Gears
- RVC1** Australian Road Friendly Certification
- TAAXLIFT** Tandem axle lift
- RTH2610B** Volvo RTH2610B hub reduction rear axles  
4 planet gears per hub  
Axle rating: 26,000 kg  
115 tonne train weight  
(Application approved)
- RTH2610F** Hub Reduction Tandem 26t GCW100t (version F)
- RTS2310A** Single Reduction Tandem 23t GCW100t
- RTS2370A** Rear single reduction tandem axles  
Axle rating: 23,000 kg  
Cross axle diff lock & power divider
- RTS2370B** Single Reduction Tandem 23t GCW70t

### Packages

- AIRFLOW** Airflow package
- 1LIVINFM** 1 bed resting package
- 2LIVINFM** 2 bed resting package

Standard Equipment       Optional Equipment

For more detailed information about cab and powertrain equipment, please refer to separate specification sheets.

For all possible options and combinations of options please consult your Volvo sales contact who can create a specification to match your requirements using the Volvo Sales Support system (VSS).

The factory reserves the right to modify design and change equipment without previous notification. The specification can vary from country to country.

- INFOBASE** Standard Level Information Platform
  - INFOHIGH** High Level Information Platform
  - SAFEBAS**
  - SAFEBAS2**
  - SAFEPLU2**
  - SAFEPLUS**
  - OFFROADD** Construction package on Day Cab
  - OFFROADS** Construction package on Sleeper Cab
- ### Chassis
- FST-AIR** Air Bag Front Suspension
  - FST-PAR** Parabolic leaf spring front suspension
  - FST-PAR3** 3 Leaf Parabolic Front Springs (stiffer than normal)
  - FSLS-BAS** Front Suspension Levelling Stroke - Standard
  - FSLS-HI** Front Suspension Levelling Stroke - High
  - FAL10.0** Front Axle Load 10 tonnes
  - FAL7.1** Front axle load 7.1 tonnes
  - FAL7.5** Front Axle Load 7.5 tonnes
  - FAL8.0** Front axle load 8.0 tonnes
  - FAL8.5** Front Axle Load 8.5 tonnes
  - FAL9.0** Front axle load 9.0 tonnes
  - FSTAB** Front stabilizer, normal stiffness
  - FSTAB2** Front stabiliser bar increased stiffness
  - FSTAB3** Heavy duty front stabiliser bar
  - RAL21** Rear suspension load rating: 21,000 kg
  - RAL23** Rear Axle Load 23 tonnes
  - RAL26** Rear suspension load rating: 26,000 kg
  - RSTAB1** Rear stabiliser bar
  - RSTAB3** Heavy duty rear stabiliser bar
  - RALIM105** Rear axle load limiter 10.5 tonnes (speed controlled)
  - RALIM115** Rear axle load limiter 11.5 tonnes (speed controlled)
  - RALIM13** Rear axle load limiter 13.0 tonnes
  - RALIM15** Rear axle load limiter 15.0 tonnes
  - RALIM95** Rear axle load limiter 9.5 tonnes
  - ASF-DL1** Air susp. feature - 1 driving level
  - ASF-DL3** Air susp. feature - 3 driving levels
  - ACTST-TO** Volvo Dynamic Steering
  - ASFE-BAS** Dynamic steering features - Standard
  - ASFE-OG** Dynamic Steering Active Features - Oversteer Guidance
  - ASFE-PO** Dynamic Steering Active Features - Personal Settings & Oversteer Guidance
  - ASFE-PS** Dynamic Steering Active Features - Personal Settings
  - PSS-SING** Single power steering system
  - PSP-FIX** Power Steering Pump with Fixed Displacement
  - PSP-VAR** Power Steering Pump with Variable Displacement
  - PSP-VAR2** Power Steering Pump with Electronic Control Variable Displacement
  - EBS-MED** Electronic Brake System (EBS) contains ABS, Traction control, Hill start aid  
Diff lock control, Brake assist  
Wheel brake monitoring, EBS status
  - EBS-STD** Electronic Brake System (EBS) contains ABS, Traction control, BCS
  - AUXPARK** Auxiliary parking brake
  - TRCO-12V** 24v to 12v trailer lighting voltage converter
  - TABS-12** 24v to 12v trailer ABS voltage converter
  - RST-AIR** Rear Air Suspension
  - FRAME300** Frame rail height 300mm
  - FST7070** Frame Section Thickness 7mm
  - FST8080** Frame Section Thickness 8mm
  - FIL-EEEB** Liner (inner) from end of engine to end of bogie
  - FIL-TXEB** Liner (inner) - trans x-mem to end of bogie
  - BBOX-AC** Battery Box - Across Frame

# MODEL RANGE

## FM13 6x4 Tractor Air Suspension (Europe Built) FM 64T 3A

<input type="checkbox"/> <b>BBOX-EF</b>	Battery Box - End of Frame	<input checked="" type="checkbox"/> <b>TREL7-7</b>	2x7 pin elec. trailer connectors (24N & 24S)
<input checked="" type="checkbox"/> <b>BBOX-L</b>	Battery box mounted on LHS chassis rail	<input type="checkbox"/> <b>TBC-AUS</b>	Trailer Brake Connections - Suzi Coils
<input type="checkbox"/> <b>BATS-D</b>	Battery system - dual	<input type="checkbox"/> <b>TRBR-HCF</b>	Hand controlled trailer brake, full pressure
<input checked="" type="checkbox"/> <b>BATS-S</b>	Battery system - single	<input type="checkbox"/> <b>TRBR-HCR</b>	Hand controlled trailer brake, reduced pressure
<input type="checkbox"/> <b>2BAT210B</b>	Two Batteries 210 Ah Gel	<input checked="" type="checkbox"/> <b>TRBR-STA</b>	Stationary Trailer Brake Control
<input checked="" type="checkbox"/> <b>2BAT210C</b>	Two Batteries 210 Ah AGM	<input type="checkbox"/> <b>TRB-STRE</b>	Automatic Trailer Brake Activation (Stretch Brake)
<input type="checkbox"/> <b>2BATT170</b>	Two Batteries 170 Ah	<input checked="" type="checkbox"/> <b>RFEND-B</b>	Rear mudguards - standard
<input type="checkbox"/> <b>2BATT225</b>	2x225 Ah batteries	<input type="checkbox"/> <b>RFEND-H2</b>	Truckmate plastic mudguards
<input checked="" type="checkbox"/> <b>BATTAMP</b>	Battery Amperage Indicator (in the DID)	<input type="checkbox"/> <b>RFH-HIG</b>	Highest possible mudguard height
<input type="checkbox"/> <b>BATTIND</b>	Battery Charge Indicator (in the DID)	<input type="checkbox"/> <b>RFH-LOW</b>	Lowest possible mudguard height
<input type="checkbox"/> <b>ADR1</b>	Standard ADR adaption - 1 switch	<input type="checkbox"/> <b>ATANK-AL</b>	Aluminium airtanks
<input type="checkbox"/> <b>ADR2</b>	Standard ADR adaption - 2 switches	<input type="checkbox"/> <b>TL-LED</b>	LED Tail Lights
<input type="checkbox"/> <b>MSWI-A</b>	Main Switch ADR	<input checked="" type="checkbox"/> <b>BLIGHT-E</b>	Emergency Brake Lights
<input type="checkbox"/> <b>MSWI-C</b>	Isolation Toggle Switch LHS of Chassis	<input type="checkbox"/> <b>FRACLOS</b>	With frame closing
<input checked="" type="checkbox"/> <b>MSWI-R</b>	Isolation Switch on Key Fob (Press Door Lock Twice to Isolate)	<b>Rims and Tyres</b>	
<input checked="" type="checkbox"/> <b>R330A71</b>	Right aluminium 710 mm D-shaped fuel tank, 330 litres volume. Usable volume is 97% of stated volume. Min volume 150l Max volume 810l	<input type="checkbox"/> <b>RT-AL</b>	10 Stud Alloy Disc Rims (with long wheel studs)
<input checked="" type="checkbox"/> <b>UL-FUEL</b>	LHS fuel tank not fitted Min volume 160l Max volume 730l	<input type="checkbox"/> <b>RT-AL1</b>	10 Stud Alloy Disc Rims (with short wheel studs)
<input type="checkbox"/> <b>ADTP-BC</b>	AdBlue Tank Position - RHS behind cab	<input type="checkbox"/> <b>RT-AL1DU</b>	10 Stud Dura-Bright Alloy Disc Rims (with long wheel studs)
<input type="checkbox"/> <b>ADTP-L</b>	AdBlue Tank Position - LHS	<input type="checkbox"/> <b>RT-ALDP</b>	10 Stud Dura-Bright Alloy Disc Rims (with short wheel studs)
<input type="checkbox"/> <b>ADTP-M</b>	AdBlue Tank Position - Underbelly	<input type="checkbox"/> <b>RT-ALDPD</b>	10 Stud Alloy Disc Rims (with short wheel studs)
<input checked="" type="checkbox"/> <b>ADTP-R</b>	AdBlue Tank Position - RHS	<input type="checkbox"/> <b>RT-ALDU</b>	10 Stud Alloy Disc Rims (with short wheel studs)
<input type="checkbox"/> <b>ADB048</b>	AdBlue Tank 48 litres	<input type="checkbox"/> <b>RT-ALP</b>	10 Stud Polished Alloy Disc Rims (with long wheel studs)
<input type="checkbox"/> <b>ADB050</b>	AdBlue Tank 50 Litres	<input type="checkbox"/> <b>RT-ALPDU</b>	10 Stud Polished Alloy Disc Rims (with short wheel studs)
<input checked="" type="checkbox"/> <b>ADB064</b>	AdBlue Tank 64 litres	<input checked="" type="checkbox"/> <b>RT-STEEL</b>	10 Stud Steel Disc Rims
<input type="checkbox"/> <b>ADB068</b>	AdBlue Tank 68 litres	<input type="checkbox"/> <b>WCAP</b>	Wheel caps
<input type="checkbox"/> <b>ADB083</b>	AdBlue Tank 83 Litres	<input type="checkbox"/> <b>SPWT-D</b>	Spare rim & tyre equal to drive
<input type="checkbox"/> <b>ADB090</b>	AdBlue Tank 90 litres	<input type="checkbox"/> <b>SPWT-F</b>	Spare rim & tyre equal to steer
<input type="checkbox"/> <b>ADB100</b>	AdBlue Tank 100 litres	<input type="checkbox"/> <b>SWCP-LF</b>	Spare Wheel Carrier Front of Drive Axle. LHS
<input type="checkbox"/> <b>ADB112</b>	AdBlue Tank 112 Litres	<input type="checkbox"/> <b>SWCP-T</b>	Spare wheel supplied temporarily strapped to chassis
<input type="checkbox"/> <b>ADB150</b>	AdBlue Tank 150 litres (Underbelly)	<input type="checkbox"/> <b>SWCP-TP</b>	Transport mounted spare wheel on top of frame
<input type="checkbox"/> <b>ADTC-BF</b>	AdBlue Tank Cover - Bright Finish	<input type="checkbox"/> <b>JACK-12T</b>	12 tonne capacity jack with brace
<input checked="" type="checkbox"/> <b>FCAP-L</b>	Fuel tank cap with lock	<input type="checkbox"/> <b>JACK-15T</b>	15 tonne capacity jack and brace
<input checked="" type="checkbox"/> <b>FUFF-AS</b>	Fuel filling feature - anti spillage	<input type="checkbox"/> <b>JACK-20T</b>	Jack - 20 Tonnes
<input type="checkbox"/> <b>FUFF-ATS</b>	Fuel filling feature - anti theft & spillage	<input checked="" type="checkbox"/> <b>TOOL-BAS</b>	Basic tools
<input type="checkbox"/> <b>ESH-LEFT</b>	Muffler horizontal, left exhaust outlet	<input type="checkbox"/> <b>TOOLKIT</b>	Tool kit complete
<input checked="" type="checkbox"/> <b>ESH-REAR</b>	Low Mounted Muffler with Low Rear Facing Outlet	<input type="checkbox"/> <b>INFLAHOS</b>	Tyre inflation hose (18 metres)
<input type="checkbox"/> <b>ESH-RIGH</b>	Muffler horizontal, right exhaust outlet	<input type="checkbox"/> <b>GAUGE-TP</b>	Tire pressure gauge
<input type="checkbox"/> <b>ESH-VERT</b>	Muffler horizontal, vertical exhaust outlet on right hand side	<b>Powertrain equipment</b>	
<input type="checkbox"/> <b>ESV-VERT</b>	Single vertical exhaust/ vertical outlet	<input type="checkbox"/> <b>TRAP-HD</b>	Heavy Duty Transmission Internals
<input type="checkbox"/> <b>EXST-SSP</b>	Stainless Steel Exhaust Stack	<input checked="" type="checkbox"/> <b>DRM-BE</b>	Drive Mode - Balanced & Economy
<input type="checkbox"/> <b>WHC-FIX2</b>	Wheel chocks, qty 2 fixed	<input type="checkbox"/> <b>DRM-E</b>	Drive Mode - Economy
<input type="checkbox"/> <b>WHC-FOL2</b>	Wheel chocks, qty 2 foldable	<input type="checkbox"/> <b>PVT-BAS</b>	Standard - by GPS positioning
<input type="checkbox"/> <b>WHCP-F</b>	Wheel chocks position, front	<input type="checkbox"/> <b>PVT-MAP</b>	Preview Topography Information (High Resolution Topography Map)
<input type="checkbox"/> <b>WHCP-M</b>	Wheel chocks position, middle	<input checked="" type="checkbox"/> <b>CRUIS-E</b>	Extended Cruise Control (Additional Fuel Saving Functions)
<input type="checkbox"/> <b>WHCP-T</b>	Wheel chocks, transport mounted	<input type="checkbox"/> <b>CRUIS-E5</b>	Cruise Control (I-Torque)
<input type="checkbox"/> <b>TB-L80</b>	Toolbox 800 mm, left side	<input type="checkbox"/> <b>AMSO-AUT</b>	Manual gear shift in automatic mode.
<input type="checkbox"/> <b>TB-R80</b>	Toolbox 800 mm, right side	<input type="checkbox"/> <b>AVO-ENH</b>	AMT Vocational option - enhanced
<input type="checkbox"/> <b>SUP-BAS</b>	Side underrun protection - standard	<input type="checkbox"/> <b>APF-ENH</b>	Enhanced I-shift PTO functions
<input type="checkbox"/> <b>SUP-LOW</b>	Side underrun protection - low	<input type="checkbox"/> <b>RET-TH</b>	Retarder for manual gearbox Compact durable design with easy control
<input type="checkbox"/> <b>CHAIN-S</b>	Snow chains	<input type="checkbox"/> <b>RET-TPT</b>	Retarder for Powertronic Transmission
<input type="checkbox"/> <b>HOOK-SC</b>	Hooks for snow chains	<input type="checkbox"/> <b>TC-HWO</b>	Transmission Oil Cooler
<input checked="" type="checkbox"/> <b>TOWF-NO1</b>	One Towing Device - Front	<input type="checkbox"/> <b>TC-MAOH2</b>	High performance transmission cooler
<input type="checkbox"/> <b>TOWF-NO2</b>	Two Towing Devices - Front	<input type="checkbox"/> <b>TC-MWO</b>	High performance transmission cooler
<input type="checkbox"/> <b>TOWR-ONE</b>	Single tow device	<input type="checkbox"/> <b>TC-MWOH2</b>	High performance transmission cooler
<input type="checkbox"/> <b>TREL15</b>	15 pin elec. trailer connection	<input type="checkbox"/> <b>2COM1080</b>	High volume air compressor
<input type="checkbox"/> <b>TREL7</b>	7 pin elec. trailer connection (24N)	<input type="checkbox"/> <b>2COM1100</b>	Air Compressor - 1100 litres/minute
<input checked="" type="checkbox"/> <b>Standard Equipment</b>		<input checked="" type="checkbox"/> <b>2COMP870</b>	Air Compressor - 870 litres/minute
<input type="checkbox"/> <b>Optional Equipment</b>			

For more detailed information about cab and powertrain equipment, please refer to separate specification sheets.

For all possible options and combinations of options please consult your Volvo sales contact who can create a specification to match your requirements using the Volvo Sales Support system (VSS).

The factory reserves the right to modify design and change equipment without previous notification. The specification can vary from country to country.

# MODEL RANGE

## FM13 6x4 Tractor Air Suspension (Europe Built) FM 64T 3A

<input type="checkbox"/> <b>2COMP900</b>	Air Compressor - 900 litres/minute	<input type="checkbox"/> <b>HWSS-ACB</b>	ACC & forward collision warning & emergency braking.
<input type="checkbox"/> <b>CLU-AIRC</b>	Clutchable air compressor	<input checked="" type="checkbox"/> <b>HWSS-FCB</b>	Forward Collision Warning including Emergency Braking
<input checked="" type="checkbox"/> <b>AIRIN-HI</b>	High air intake, roofline position	<input checked="" type="checkbox"/> <b>LSS-DW</b>	With lane departure system
<input type="checkbox"/> <b>AIRIN-LO</b>	Low air intake, rear of cab position	<input type="checkbox"/> <b>LSS-DW3</b>	Pilot Assist - Active Continuous Lane Keeping
<input type="checkbox"/> <b>ACL1ST-S</b>	Air cleaner with two stage filter element	<input type="checkbox"/> <b>LCS2</b>	Lane Change Support with Side Collision Avoidance (LHS)
<input checked="" type="checkbox"/> <b>24A110BL</b>	Alternator - 110 Amp	<input checked="" type="checkbox"/> <b>LCS4</b>	
<input type="checkbox"/> <b>24A150BL</b>	Alternator - 150 Amp	<input checked="" type="checkbox"/> <b>DAS-W</b>	Driver alert support warning
<input type="checkbox"/> <b>24A180BL</b>	Alternator - 180 Amp	<input type="checkbox"/> <b>RSENS-W</b>	Rain sensor to activate wipers
<input type="checkbox"/> <b>24AL110B</b>	Alternator - 110 Amp	<input checked="" type="checkbox"/> <b>CU-ECC</b>	Climate controlled air conditioning
<input type="checkbox"/> <b>24AL150B</b>	Alternator - 150 Amp (Eu5)	<input type="checkbox"/> <b>CU-ECC2</b>	Electronically Controlled Air Conditioning with Air Quality Sensor & Carbon Filter
<input type="checkbox"/> <b>PRIM-EL</b>	Pump Prime - Electrical	<input type="checkbox"/> <b>CU-MCC</b>	Manual controlled air conditioning
<input checked="" type="checkbox"/> <b>PRIM-MAN</b>	Pump Prime - Manual	<input checked="" type="checkbox"/> <b>IGT-BUT</b>	Ignition Type - Push Button
<input type="checkbox"/> <b>FUEQ-EH</b>	Fuel line heater equip.	<input checked="" type="checkbox"/> <b>IMMOBIL</b>	Engine Immobiliser
<input type="checkbox"/> <b>AF-E</b>	Auxiliary fuel filter, electrically heated	<input type="checkbox"/> <b>ALARM-E</b>	Anti-theft alarm (cab & body/trailer)
<input type="checkbox"/> <b>AF-R</b>	Recirculation heated fuel filter	<input type="checkbox"/> <b>ISUNS-BS</b>	Interior Side Sunvisor - Both Doors
<input checked="" type="checkbox"/> <b>FUEFE2LW</b>	Dual fuel filter, engine mounted with water separator-large	<input checked="" type="checkbox"/> <b>ISUNS-DS</b>	Interior Side Sunvisor - Driver's Door
<input type="checkbox"/> <b>FUEFE2SW</b>	Dual fuel filter, engine mounted with water separator-small	<input type="checkbox"/> <b>ISUNF-B</b>	Interior front sunvisor - standard
<input type="checkbox"/> <b>EST-AID</b>	Engine starting aid	<input type="checkbox"/> <b>ISUNF-MD</b>	Interior front sunvisor - with mirror (driver's side)
<input type="checkbox"/> <b>220EBH15</b>	220V/1.5kw engine block heater	<input type="checkbox"/> <b>ISUNF-RE</b>	Windscreen Interior Sunvisor - Electric
<input type="checkbox"/> <b>PTER-100</b>	PTO Engine Rear Mounted with Flange DIN100/ISO7646	<input checked="" type="checkbox"/> <b>ISUNF-RM</b>	Windscreen Interior Sunvisor - Manual
<input type="checkbox"/> <b>PTER-DIN</b>	Power Take Off / splined shaft groove (female) DIN5462.	<input type="checkbox"/> <b>ADFS</b>	2 Din Slots in Front Shelf
<input type="checkbox"/> <b>PTER1400</b>	Rear engine mounted power-take-off with flange SAE 1410	<input type="checkbox"/> <b>BUPALARM</b>	Reverse alarm
<input type="checkbox"/> <b>HPE-F101</b>	F1-101 Hydraulic pump rear engine mounted	<input type="checkbox"/> <b>RTOLL-PK</b>	Road toll prep kit
<input type="checkbox"/> <b>HPE-F41</b>	F1-41 Hydraulic pump rear engine mounted	<input type="checkbox"/> <b>LOADIND</b>	Load indicator, electronic controlled suspension (SUSPL-EC)
<input type="checkbox"/> <b>HPE-F51</b>	F1-51 Hydraulic pump rear engine mounted	<input type="checkbox"/> <b>REMC-MF</b>	Multifunction Wireless Remote Control
<input type="checkbox"/> <b>HPE-F61</b>	F1-61 Hydraulic pump rear engine mounted	<input type="checkbox"/> <b>FIREX25A</b>	Fire Extinguisher - 2.5 kg
<input type="checkbox"/> <b>HPE-F81</b>	F1-81 Hydraulic pump rear engine mounted	<input type="checkbox"/> <b>FIREX3FR</b>	Fire extinguisher, 3 kg, French decal
<input type="checkbox"/> <b>HPE-T53</b>	F2-53/53 twin flow hyd pump rear engine mounted	<input type="checkbox"/> <b>FIREXT2F</b>	Fire extinguisher, 2 kg, French decal
<input type="checkbox"/> <b>HPE-T70</b>	F2-70/53 twin flow hyd pump rear engine mounted	<input type="checkbox"/> <b>FIREXT2G</b>	
<input type="checkbox"/> <b>HPE-V45</b>	V1-45 variable pump rear engine mounted	<input type="checkbox"/> <b>FIREXT3D</b>	Fire extinguisher, 3 kg, Danish decal
<input type="checkbox"/> <b>HPE-V75</b>	V1-75 variable pump rear engine mounted	<input type="checkbox"/> <b>FIREXT3F</b>	Fire extinguisher, 3 kg, Finnish decal
<input type="checkbox"/> <b>PTPT-D</b>	PTO DIN - Powertronic	<input type="checkbox"/> <b>FIREXT3F</b>	Fire extinguisher, 3 kg, Finnish decal
<input type="checkbox"/> <b>PTPT-F</b>	PTO Flange Connection - Powertronic	<input type="checkbox"/> <b>FIREXT3N</b>	Fire extinguisher, 3 kg, Norwegian decal
<input type="checkbox"/> <b>PTR-D</b>	Low speed PTO with DIN connection	<input type="checkbox"/> <b>FIREXT3P</b>	Fire extinguisher, 3kg, Portuguese decal
<input type="checkbox"/> <b>PTR-DH</b>	High speed PTO with DIN connection	<input type="checkbox"/> <b>FIREXT3S</b>	3kg fire extinguisher
<input type="checkbox"/> <b>PTR-DM</b>	Medium speed PTO with DIN connection	<input type="checkbox"/> <b>WARNVEST</b>	Warning vest
<input type="checkbox"/> <b>PTR-F</b>	PTO Flange Connection - 100% speed	<input checked="" type="checkbox"/> <b>WARNTRI2</b>	2 warning triangles
<input type="checkbox"/> <b>PTR-FH</b>	High speed PTO with flange connection	<input type="checkbox"/> <b>AIDKIT</b>	First aid kit
<input type="checkbox"/> <b>PTR-FL</b>	Low speed PTO with flange connection	<input type="checkbox"/> <b>AIDKIT1B</b>	First aid kit-German market demands
<input type="checkbox"/> <b>PTRD-D</b>	PTO with 2 DIN connections rear + 1 DIN connection front	<input type="checkbox"/> <b>WARNLAMP</b>	Portable warning lamp
<input type="checkbox"/> <b>PTRD-D1</b>	PTO with 1 DIN + 1 flange connection rear + 1 DIN connection front	<input type="checkbox"/> <b>LAMP-IN</b>	Inspection lamp
<input type="checkbox"/> <b>PTRD-D2</b>	PTO with 2 flange connection rears + 1 DIN connection front	<input type="checkbox"/> <b>BULBKIT</b>	Bulb and fuse kit
<input type="checkbox"/> <b>PTRD-F</b>	PTO with 1 DIN + 1 flange connection rear	<input type="checkbox"/> <b>WRITEPAD</b>	Storable steering wheel fit clip board
<input type="checkbox"/> <b>HPG-F101</b>	F1-101 hydraulic pump gearbox mounted	<input checked="" type="checkbox"/> <b>DST-CF1</b>	Driver seat comfort suspended
<input type="checkbox"/> <b>HPG-F41</b>	F1-41 hydraulic pump gearbox mounted	<input type="checkbox"/> <b>DST-CF4</b>	Fully adjustable driver's comfort seat
<input type="checkbox"/> <b>HPG-F51</b>	F1-51 hydraulic pump gearbox mounted	<input type="checkbox"/> <b>DST-CF5</b>	Air suspension
<input type="checkbox"/> <b>HPG-F61</b>	F1-61 hydraulic pump gearbox mounted	<input type="checkbox"/> <b>DST-CF6</b>	Fully adjustable driver's comfort seat
<input type="checkbox"/> <b>HPG-F81</b>	F1-81 hydraulic pump gearbox mounted	<input type="checkbox"/> <b>DST-CF6</b>	Fully adjustable driver's comfort seat
<input type="checkbox"/> <b>STWM-LE</b>	Steering wheel material - leather	<input type="checkbox"/> <b>DST-STD2</b>	Air suspension, heated, integrated safety belt
<input type="checkbox"/> <b>DRC-AMI</b>	DPF Regeneration- Auto Initialise/Manual on Demand/Manual Inhibit	<input type="checkbox"/> <b>SBD-RED</b>	Driver seat standard, suspended
<input checked="" type="checkbox"/> <b>DRC-AUTO</b>	DPF Regeneration- Fully Automatic (in motion)	<input type="checkbox"/> <b>SBPRE-DS</b>	Red safety belts, pass. & driver seats
<input type="checkbox"/> <b>1DAYB</b>	1DAY-STD/SI-GRAF/basic setting	<input type="checkbox"/> <b>PST-BAS1</b>	Drivers seat belt pretensioner
<input type="checkbox"/> <b>1DAYDIG</b>	1DAY-STD/SI-GRAF/digital	<input type="checkbox"/> <b>PST-CF4</b>	Basic passenger's seat
<input checked="" type="checkbox"/> <b>1DAYDIG4</b>		<input type="checkbox"/> <b>PST-CF4</b>	Fully adjustable passengers comfort seat
<input type="checkbox"/> <b>ARSL</b>	Additional road speed limiter	<input type="checkbox"/> <b>PST-CF5</b>	Air suspension, integrated safety belt
<input checked="" type="checkbox"/> <b>ACCLF-D</b>	Acceleration Limiting Feature - Disabled	<input type="checkbox"/> <b>PST-CF5</b>	Fully adjustable passenger comfort seat
<input type="checkbox"/> <b>ACCLF-E</b>	Acceleration Limiting Feature - Enabled	<input checked="" type="checkbox"/> <b>PST-STD2</b>	Air suspension, heated, safety belt
<input checked="" type="checkbox"/> <b>ESP-BAS1</b>	ESP Package (Tractor/Trailer Combinations with ABS/EBS Or Rigid with Standard COG)	<input type="checkbox"/> <b>PST-STD4</b>	Passenger Seat Basic 2 Armrests
<input type="checkbox"/> <b>ESPC-RO</b>	ESP functionality control reduced/off		Passanger Seat Basic 2 Armrests Susp
<input type="checkbox"/> <b>HWSS-AC</b>	ACC & Forward Collision Warning		

Standard Equipment       Optional Equipment

For more detailed information about cab and powertrain equipment, please refer to separate specification sheets.

For all possible options and combinations of options please consult your Volvo sales contact who can create a specification to match your requirements using the Volvo Sales Support system (VSS).

The factory reserves the right to modify design and change equipment without previous notification. The specification can vary from country to country.

# MODEL RANGE

## FM13 6x4 Tractor Air Suspension (Europe Built) FM 64T 3A

<input type="checkbox"/> <b>SBPRE-PS</b>	Passenger seatbelt pretensioner	<input type="checkbox"/> <b>GUARD-EH</b>	Guard plate for cooling pipes and oil sump
<input type="checkbox"/> <b>ARMRE-BB</b>	Armrests both sides - driver's & passenger's seat	<input checked="" type="checkbox"/> <b>BUGNET</b>	Insect Net in Front of Radiator
<input type="checkbox"/> <b>ARMRE-DB</b>	Armrests both sides - driver's seat	<input type="checkbox"/> <b>CTILT-P-E</b>	Electrical cab tilt pump
<input type="checkbox"/> <b>ARMRE-PB</b>	Armrests both sides - passenger's seat	<input checked="" type="checkbox"/> <b>CTILT-P-M</b>	Manual cab tilt pump
<input type="checkbox"/> <b>ARU-BAS</b>	Seat armrest upholstery - basic	<input type="checkbox"/> <b>FCABS-A</b>	Front Cab Suspension - Air Bellows
<input type="checkbox"/> <b>ARU-LEA</b>	Seat armrest upholstery - leather	<input checked="" type="checkbox"/> <b>FCABS-M</b>	Front Cab Suspension - Mechanical Spring
<input checked="" type="checkbox"/> <b>FMAT-RUB</b>	Floor Mats - Rubber	<input type="checkbox"/> <b>RCABS-A</b>	Rear Cab Suspension - Air Bellows
<input type="checkbox"/> <b>FMAT-TX2</b>	Floor Mats - Textile & Rubber	<input checked="" type="checkbox"/> <b>RCABS-M</b>	Rear Cab Suspension - Mechanical Spring
<input checked="" type="checkbox"/> <b>LBK70</b>	Lower Bunk 700mm Wide	<input type="checkbox"/> <b>MIRCFPCS</b>	Electrically Heated & Operated Convex Glass Mirrors with Front Monitoring Camera on Passenger Side
<input type="checkbox"/> <b>MATL-FI</b>	Spring Mattress Lower Bunk - Firm (100kg +)	<input type="checkbox"/> <b>MIRCFPCX</b>	Electrically Heated & Operated Convex Glass Mirrors with Front Monitoring Camera on Passenger Side
<input checked="" type="checkbox"/> <b>MATL-SF</b>	Mattress lower bunk - semi firm	<input type="checkbox"/> <b>MIRCMCP</b>	Camera Monitor System & Blind Spot Camera - Without Exterior Mirrors
<input type="checkbox"/> <b>OLMAT-BA</b>	Mattress overlay - basic	<input type="checkbox"/> <b>MIRCMS</b>	Camera Monitor System - Without Exterior Mirrors
<input type="checkbox"/> <b>OLMAT-PR</b>	Mattress overlay - premium	<input checked="" type="checkbox"/> <b>MIRCOMF</b>	Electrically heated and operated exterior mirrors with wide angle mirrors on both sides and close view mirror on passenger side.
<input type="checkbox"/> <b>TBK60F</b>	Top bunk 600mm wide, foldable	<input type="checkbox"/> <b>MIRCOMFX</b>	Electrically Heated & Operated Convex Glass Mirrors
<input type="checkbox"/> <b>TBK70F</b>	Top Bunk 700mm Wide - Foldable	<input type="checkbox"/> <b>MIRFLA3</b>	Electrically operated flat mirrors
<input type="checkbox"/> <b>PH-CAB2</b>	Cab parking heater 2kw	<input type="checkbox"/> <b>MIRFLACP</b>	Wide angle and close view mirror both sides
<input type="checkbox"/> <b>PH-ENGCA</b>	Cab and engine parking heater	<input type="checkbox"/> <b>AMIR-F20</b>	Electrically Heated & Operated Flat Glass Mirrors with Front Monitoring Camera on Passenger Side
<input type="checkbox"/> <b>PH-SS</b>	Cab parking heater short stop	<input type="checkbox"/> <b>SUNV-H</b>	Close view mirror
<input type="checkbox"/> <b>SLCP-BAS</b>	Sleeper Control Panel - Standard	<input type="checkbox"/> <b>AD-ROOF</b>	Exterior Sunvisor
<input type="checkbox"/> <b>ETSB-F</b>	Engine Tunnel Storage Box	<input type="checkbox"/> <b>AD-SIDEL</b>	Aero-dynamic roof mounted deflector
<input type="checkbox"/> <b>ETSB-FR</b>	Storage Box - Engine Tunnel & Rear Cab Wall	<input type="checkbox"/> <b>AD-SIDES</b>	Aero-dynamic cab side deflectors
<input type="checkbox"/> <b>ETSB-FRS</b>	Engine Tunnel Storage Box - Front, Rear & Side	<input type="checkbox"/> <b>AD-CHASX</b>	Aero-dynamic cab side deflectors
<input type="checkbox"/> <b>ETSB-FS</b>	Engine Tunnel Storage Box - Front & Side	<input type="checkbox"/> <b>ADCF-F</b>	Chassis skirts
<input type="checkbox"/> <b>ETSB-R</b>	Rear Cab Wall Storage	<input type="checkbox"/> <b>GUARD-W</b>	Additional aero device-chassis fairing flap
<input type="checkbox"/> <b>ETSB-RS</b>	Engine Tunnel Storage Box - Rear & Side	<input type="checkbox"/> <b>HL-BASIC</b>	Windscreen Stoneguard
<input type="checkbox"/> <b>ETSB-S</b>	Engine Tunnel Storage Box & Right Side Space for Binder	<input checked="" type="checkbox"/> <b>HL-LED</b>	Standard head lamps
<input type="checkbox"/> <b>RUS-BAS</b>	Rear Upper Cab Storage - 154 Litres for Sleeper/Globetrotter & 60 Litres for Day Cab	<input type="checkbox"/> <b>HBDA-A</b>	LED Headlights
<input type="checkbox"/> <b>RUS-HIG</b>	Rear Upper Cab Storage - 245 Litres	<input checked="" type="checkbox"/> <b>HL-CLEAN</b>	Automatic High Beam De-Activation
<input type="checkbox"/> <b>REF-ICPK</b>	Refrigerator Preparation Kit on Engine Tunnel	<input type="checkbox"/> <b>HLP-ST</b>	Head lamp cleaning system
<input type="checkbox"/> <b>REFR-RUS</b>	28 Litre Refrigerator in Upper Rear Storage	<input type="checkbox"/> <b>HL-ADJ</b>	Headlight Protection - Steel
<input type="checkbox"/> <b>MICRO-PK</b>	Preparation Kit for Microwave	<input type="checkbox"/> <b>DRL-LED</b>	Headlight Adjustment - Manual
<input type="checkbox"/> <b>BOTH-D</b>	Bottle Holder in Driving Area	<input type="checkbox"/> <b>DRIVL2</b>	V-shaped LED Daytime Running Light
<input type="checkbox"/> <b>COFMA-PK</b>	Coffee maker prep kit	<input checked="" type="checkbox"/> <b>UDRVL</b>	Integrated driving lamps
<input checked="" type="checkbox"/> <b>INLI-BAS</b>	Interior night lights	<input type="checkbox"/> <b>FOGL-WC</b>	Without Integrated Driving Lights
<input type="checkbox"/> <b>INLI-NL</b>	Interior White & Red (night) Light	<input type="checkbox"/> <b>CL-STAT</b>	Integrated fog lamps
<input type="checkbox"/> <b>INLI-NLD</b>	Interior light including night light and dimmer function	<input type="checkbox"/> <b>ASL-RF2</b>	Corner light-static
<input type="checkbox"/> <b>ARL-FLEX</b>	Flexible Reading Lamp (Snake Light)	<input type="checkbox"/> <b>IDLAMP-A</b>	Spotlights Inside Globetrotter Sign Box
<input checked="" type="checkbox"/> <b>RH-EE</b>	Sky Window - Emergency Exit Roof Glass (tinted)	<input type="checkbox"/> <b>IDLAMP-W</b>	Identification Lamps - Amber
<input type="checkbox"/> <b>RH-ER</b>	Roof Hatch - Electric (Metal Emergency Exit)	<input type="checkbox"/> <b>IDLMPSW</b>	Identification Lamps - white
<input type="checkbox"/> <b>RH-ETR</b>	Roof Hatch - Electric (Tinted Glass & Rear Opening)	<input type="checkbox"/> <b>BEACOA2F</b>	Switch in cab for identification lamps
<input type="checkbox"/> <b>RH-MTR</b>	Roof Hatch - Manual (Tinted Glass & Rear Opening)	<input type="checkbox"/> <b>BEACOA2R</b>	2 amber rotating lights- front of roof
<input type="checkbox"/> <b>GLAS-UNT</b>	Clear window glass	<input type="checkbox"/> <b>BEACON-P</b>	2 amber rotating lights- rear of roof
<input type="checkbox"/> <b>SWIND-BS</b>	Cab side window-both sides	<input type="checkbox"/> <b>BEACONA4</b>	Beacon Light Wire Preparation
<input type="checkbox"/> <b>SWIND-PS</b>	Cab Passenger Side Aux. Window	<input type="checkbox"/> <b>CABPT-R1</b>	4 amber rotating lights
<input type="checkbox"/> <b>AWIND-RF</b>	Cab Rear Window- Fitted	<input checked="" type="checkbox"/> <b>CABPT-R2</b>	1 cab roof pass through on driver's side
<input type="checkbox"/> <b>VANMIR</b>	Vanity Mirror	<input type="checkbox"/> <b>SPOTP-F</b>	2 cab roof pass throughs, 1 on each side
<input type="checkbox"/> <b>AS-FUS</b>	Auxiliary Shelf - Front Upper Storage	<input type="checkbox"/> <b>SPOTP-R</b>	Aux spotlamp preparation, 280W maximum
<input type="checkbox"/> <b>INFOT-PK</b>	LCD screen mount - 6kgs max	<input type="checkbox"/> <b>SPOTP-RF</b>	Spot light preparation on roof, max 280W
<input type="checkbox"/> <b>SPOTP-RF</b>	Spot light preparation in front and on roof, max 280W	<input type="checkbox"/> <b>ROS-IL</b>	Spot light preparation in front and on roof, max 280W
<input type="checkbox"/> <b>ROS-IL2</b>	Illuminated roof sign	<input type="checkbox"/> <b>ROS-ILP</b>	Illuminated Cab Sign Prep Kit
<input type="checkbox"/> <b>CSGN-GTR</b>	Globetrotter decal		

Standard Equipment

Optional Equipment

For more detailed information about cab and powertrain equipment, please refer to separate specification sheets.

For all possible options and combinations of options please consult your Volvo sales contact who can create a specification to match your requirements using the Volvo Sales Support system (VSS).

The factory reserves the right to modify design and change equipment without previous notification. The specification can vary from country to country.



# MODEL RANGE

## FM13 6x4 Tractor Air Suspension (Europe Built) FM 64T 3A

- **HORN-F1S** Single Electric Jericho Air Horn (Behind Grill)
- **HORN-R2S** Chromed air horns, two roof mounted
- **ANT-CBR** Antenna for CB Radio (Single Antenna)
- **ACCBR-AP** Accessory bracket-forward, mid & rearward roof mounted
- **ACCBR-F** Accessory bracket-forward roof mounted
- **ACCBR-FM** Accessory bracket-forward & mid roof mounted
- **ACCBR-FR** Accessory bracket-forward & rearward roof mounted
- **ACCBR-M** Accessory bracket-mid roof mounted
- **ACCBR-R** Accessory bracket-rearward roof mounted
- **ACCBR-RM** Accessory bracket-rearward & mid roof mounted
- **LADDER** Ladder back of cab
- **REFS-TW** Reflecting stripes transport mounted on cab - white
- **REFS-TY** Reflecting stripes transport mounted on cab - yellow

### Superstructure

- **5WM-ISHD** 5th wheel mounting-heavy duty
- **5WM-ISOM** 5th wheel mounting plates-medium, on 50mm L profiles
- **5WM-MASM** 5th wheel mounting- adjustable medium L-profiles
- **5WM-OBLP** 5th Wheel L-Profiles
- **5WH150** Leg height 150mm (5.90")
- **5WH185** Leg height 185mm (7.28")
- **5WH190** Leg height 190mm (7.48")
- **5WH290** Leg height 290mm (11.41")
- **5WT-JO11** Jost 5th wheel-heavy duty 38-G
- **5WT-JO8** Jost 5th wheel-JSK37
- **5WT-JO9** Jost 5th wheel-JSK42
- **5WT-JOHD** Jost 5th wheel-heavy duty 38-C
- **5WT-SH** SAF Holland +GF SK 36.20
- **5WT-SH2** SAF Holland +GF-heavy duty SK 38.36
- **5WL-S1** 5th wheel lub sys. 1, king pin lock & top plate
- **TCIND** Trailer connected indicator
- **RDECK** Rear deck small 500mm
- **RDECK-M** Rear deck medium 750mm
- **SRWL-2RA** 2 amber rear chassis mounted working lamps
- **SRWL-2RW** 2 Rear Chassis Mounted Working Lamps - White
- **SRWL-PK** Wiring Prep for Chassis Mounted Reverse/Working Lamps - 3 Position Switch
- **SWL-2RA** 2 amber side working lamps (rearward facing)
- **SWL-2RW** 2 Side Working Lamps - White (Rearward Facing)
- **SWL-PK** Wiring Prep for Chassis Mounted Working Lamps - 2 Position Switch
- **WL-TA1A** Fifth wheel light-amber
- **WL-TA1W** Fifth wheel light
- **WLC-H2W** 2 LED work lamps - High Mounted with White Lens.
- **WLC-PKH** Prep Kit for High Mounted Work Lamps
- **WLC-PKL** Prep Kit for Low Mounted Work Lamps
- **WLC-PKLH** Prep Kit for Low and High Mounted Work Lamps
- **ECBB-BAS** B/B Elect. Centre without B/B Module
- **ECBB-HIG** Body Builder Module - Cab Module (14 High/4 Low)
- **ECBB-MED** Body Builder Module - Cab Module (7 High/4 Low)
- **BBCHAS1** Body Builder Chassis Electrical Interface - 1 x 7 Pin Connector
- **BBCHAS3** Body Builder Chassis Electrical Interface - 3 x 7 Pin Connectors
- **BEPR-T2** Body Builder electrical prep. for tipper with remote control
- **EXSTER** External Steering via Body Builder's Module
- **TD-LED** LED trailer detection sensor
- **AUXL-SPK** Aux. lamps snow plough prep kit
- **TAILPRE2** Taillift preparation kit for wireless remote
- **TAILPREP** Taillift preparation kit
- **AESW2** 2 Flexible Switches (AUX1 and AUX2).
- **AESW2PK** 2 Flexible Switches (AUX1 & AUX2) + Additional 4 Flexible Switches

- **AUXSW-4** Wiring Prep. for 4 Extra Bodybuilder Switches (switches not included)

### Delivery services

- **TGW-4GWL** Telematics Gateway with 4G/LTE & WLAN
- **TGW-PK** Telematics gateway prep kit
- **FMS-PK** Fleet management system gateway
- **DRUT1** "My Truck" Smartphone App. 1 Year Prepaid
- **DRUT2** "My Truck" Smartphone App. 2 Year Prepaid
- **DRUT3** "My Truck" Smartphone App. 3 Year Prepaid
- **DRUT4** "My Truck" Smartphone App. 4 Year Prepaid
- **DRUT5** "My Truck" Smartphone App. 5 Year Prepaid
- **TSRS** Traffic Sign Recognition System (ISA Compliant)
- **TSRS2** Traffic Sign Recognition System

■ Standard Equipment                      □ Optional Equipment

For more detailed information about cab and powertrain equipment, please refer to separate specification sheets.

For all possible options and combinations of options please consult your Volvo sales contact who can create a specification to match your requirements using the Volvo Sales Support system (VSS).

The factory reserves the right to modify design and change equipment without previous notification. The specification can vary from country to country.

# MODEL RANGE

FM13 6x4 Tractor Air Suspension (Europe Built) FM 64T 3A

---

Volvo Trucks. Driving Progress