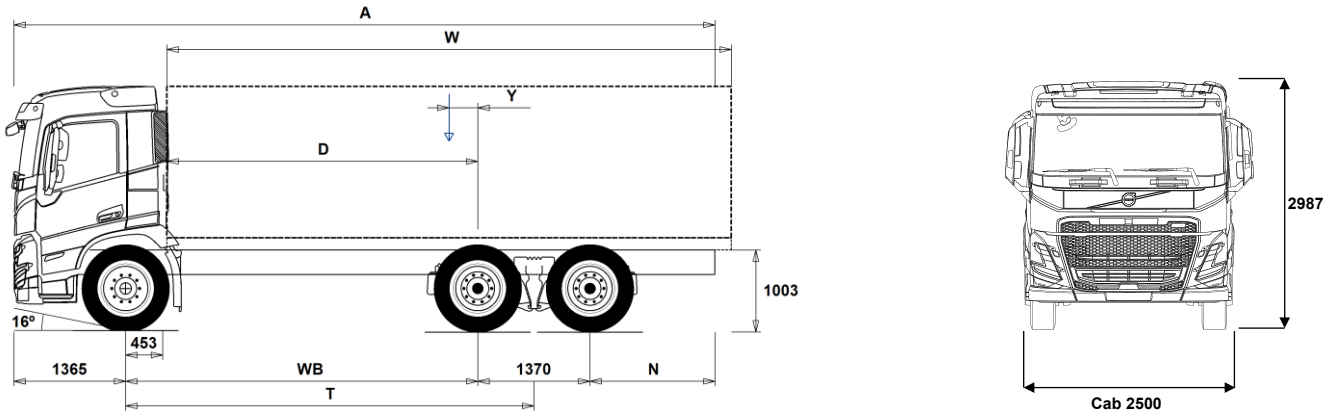


MODEL RANGE

FM 64 Rigid Electric FM 64R E



Chassis Dimensions [mm]

WB Wheelbase	3900	4100	4300	4600	4900	5200	5600
A Overall Chassis Length	9710	9910	9410	9860	10310	10810	11410
D Center of rear axle to front of body	3397	3597	3797	4097	4397	4697	5097
N Rear Overhang (Min.)	825	825	825	825	825	1225	1225
N Rear Overhang (Max.)	3075	3075	2375	2525	2675	2875	3075
T Theoretical Wheelbase	4585	4785	4985	5285	5585	5885	6285
Y Center of Gravity for Payload (Min.)	-91	-83	-82	-62	-43	-23	-2
Y Center of Gravity for Payload (Max.)	-91	-83	-82	-62	-43	-23	-2
W Body Length (Min.)	6833	7153	7473	7953	8433	8913	9553
W Body Length (Max.)	6833	7153	7473	7953	8433	8913	9553

Chassis Weights [kg]

Front Axle	5555	5625	5720	5780	5840	5890	5970
Rear Bogie	4565	4535	4435	4400	4375	4360	4350
Kerb Weight	10120	10160	10155	10180	10215	10250	10320
Payload (including body, driver, fuel, etc.)	18880	18840	18845	18820	18785	18750	18680

Turning Diameter [mm]

Turning Circle Diameter Kerb to Kerb	16800	17400	18100	19000	20000	21000	22200
Turning Circle Diameter Wall to Wall	18100	18800	19400	20400	21400	22300	23600

Plated Weights [kg]

	Design
Gross Vehicle Weight	29000
Gross Combination Weight	32000
Front Axle	8000
Rear Bogie	21000

Important Notes

Chassis Dimensions

Cab Height: +374 mm for CAB-HSLP, -204 mm for CAB-LDAY, -204 mm for CAB-LSLP, +4 mm for CAB-SLP.

Front Axle to Back of Cab: +422 mm for CAB-HSLP and CAB-LSLP and CAB-SLP.

D-measure includes a front clearance of 50 mm and for rigid trucks also a subframe of 100 mm.

Height can vary ± 20 mm for leaf and ± 10 mm for air suspension.

All dimensions are for unladen chassis and any tag axles down. Chassis height used: CHH-MED.

Height change when chassis height CHH-HIGH: 0 mm.

Weight and dimensions are based upon the following tyres:

Front Axle Tyres: 315/80R22.5

Drive Axle Tyres: 315/80R22.5

Chassis weight includes oil, water, AdBlue, 0 litres fuel and without driver. Kerb weight can vary ± 3%.

Turning diameters are theoretically calculated.

Legal weights can differ from country to country.

For more detailed weight information, including optional equipment weights, ask your Volvo sales contact to enter your specification into the Volvo Weight Information system (WIS).

Do NOT use this drawing for bodybuilding. Refer to Volvo Bodybuilder Instructions and chassis assembly drawing FM64RE.

MODEL RANGE

FM 64 Rigid Electric FM 64R E

Transport operation

- **RC-SMOOT** Smooth road conditions: at least 95% of the driven distance is on well-maintained or less maintained surfaced roads. Driving may occur on poorly maintained surfaced roads, hard-packed sand, or gravel surfaces of good or bad quality.
- **GARB-PRE** Refuse vehicle preparation
- **TIPP-PRE** Tipper vehicle preparation
- **UNIFORM** Basic platform vehicle

Core components

- **CHH-HIGH** Chassis height high - approx. 1000 mm above ground level
- **CHH-MED** Chassis height medium - approx. 900 mm above ground level
- **RADD-GR** Rear air suspension - two axles, both driving
- **FME-DAY6** FM Electric day cab
- **FME-HSL6** FM Electric Globetrotter, high sleeper cab
- **FME-LDA6** FM Electric low day cab
- **FME-LSL6** FM Electric low sleeper cab
- **FME-SLP6** FM Electric sleeper cab
- **ESS270K** Total installed nominal energy 270 kWh (3 batteries)
- **ESS360K** Total installed nominal energy 360 kWh (4 batteries)
- **ESS450K** Total installed nominal energy 450 kWh (5 batteries)
- **ESS540K** Total installed nominal energy 540 kWh (6 batteries)
- **EPT2412** Electric 12-speed propulsion gearbox, 2400 Nm
- **NEM2** 2 electrical motors
- **NEM3** 3 electrical motors
- **TAAXLIFT** Tandem Axle Lift for driven bogie axle
- **RTS2370A** Rear single reduction tandem axle - bogie load 23 tonnes, GCW 70 tonnes

Packages

- **INFOHIGH** Information package, high (with side display)
- **DRIV-EXT** Driver convenience package, Extended
- **DRIV-SEL** Driver convenience package, Selected
- **1LIVFM-E** Living package, 1 bed (FM Electric)
- **2LIVFM-E** Living package, 2 beds (FM Electric)
- **SAFE-EXT** Active Safety package Extended
 - Volvo Dynamic Steering with personal setting and Stability Assist
 - Adaptive cruise control with forward Collision Warning with Emergency Brake
 - Pilot Assist, active continuous lane keeping
 - Automatic Trailer Brake Activation, Stretch Brake
- **SAFE-SEL** Active Safety package Selected, contains
 - Volvo Dynamic Steering with personal setting and Stability Assist
 - Personal setting and Stability Assist
 - Forward Collision Warning with Emergency Brake
 - Lane Keeping Assist
- **RANGOP3** Range Optimization package, 3-year prepaid subscription
- **RANGOP4** Range Optimization package, 4-year prepaid subscription
- **RANGOP5** Range Optimization package, 5-year prepaid subscription

Chassis

- **FST-AIR** Front air suspension
- **FSL-S-BAS** Basic levelling stroke in front air suspension (high ground clearance under front axle member)
- **FSL-S-HI** High-range levelling stroke in front air susp. (reduced ground clearance under front axle member)
- **FAL10.0** Front axle load 10.0 tonnes
- **FAL8.0** Front axle load 8.0 tonnes
- **FAL8.5** Front axle load 8.5 tonnes
- **FAL9.0** Front axle load 9.0 tonnes
- **FSTAB2** Front anti-roll bar, high stiffness
- **FSTAB3** Front anti-roll bar, extra-high stiffness
- **RAL21** Rear axles load 21 tonnes
- **RAL23** Rear axles load 23 tonnes

■ Standard Equipment □ Optional Equipment

For more detailed information about cab and powertrain equipment, please refer to separate specification sheets.

For all possible options and combinations of options please consult your Volvo sales contact who can create a specification to match your requirements using the Volvo Sales Support system (VSS).

The factory reserves the right to modify design and change equipment without previous notification. The specification can vary from country to country.

- **RAL26** Rear axles load 26 tonnes
- **RSTAB1** Rear anti-roll bar, normal stiffness
- **RSTAB3** Rear anti-roll bar, extra-high stiffness
- **RALIM105** First rear driving axle load limiter, 10.5 tonnes (speed controlled)
- **RALIM115** First rear driving axle load limiter, 11.5 tonnes (speed controlled)
- **RALIM13** First rear drive axle load limiter, 13 tonnes
- **RALIM15** First rear driving axle load limiter, 15 tonnes
- **RALIM95** First rear driving axle load limiter, 9.5 tonnes (speed controlled)
- **ASF-DL1** Air suspension with one ride height
- **ACTST-TO** Volvo Dynamic Steering
- **ASFE-BAS** Volvo Dynamic Steering, basic
- **ASFE-OG** Volvo Dynamic Steering with Stability Assist
- **ASFE-PO** Volvo Dynamic Steering with Personal Settings and Stability Assist
- **ASFE-PS** Volvo Dynamic Steering with Personal Settings
- **AUXPARK** Extra parking brake on one axle
- **RST-AIR** Rear air springs
- **RST-AIR6** Rear air springs for hot climates
- **FRAME300** Frame rail section external height 300 mm
- **FST8080** Frame thickness - web 8.0 mm / flange 8.0 mm
- **FIL-EEEB** Frame inner liner from end of engine to end of bogie
- **FIL-EEEF** Frame inner liner from end of engine to end of frame
- **FIL-FBEB** Frame inner liner from front of bogie to end of bogie
- **FIL-TXEB** Frame inner liner from transmission cross member to end of bogie
- **FIL-TXEF** Frame inner liner from transmission cross member to end of frame
- **BATTAMP** Battery voltmeter and ammeter
- **BATTIND** Battery voltmeter, ammeter and battery status gauge with visual alerts
- **WHC-FIX2** Two non-collapsible wheel chocks
- **WHC-FOL2** Two collapsible wheel chocks
- **WHCP-M** Wheel chock holder in the middle part of the vehicle
- **WHCP-R** Wheel chock holder in the rear part of the vehicle
- **WHCP-T** Wheel chock holder by-packed in cab outer luggage compartment
- **SUP-BAS** Standard side underrun protection, aluminium
- **CHAIN-S** Snow chains
- **HOOK-SC** Snow chain hooks
- **TOWF-NO1** One front towing device
- **TOWF-NO2** Two front towing devices
- **TOWMBRH** Towing member, high-mounted in centre of frame
- **TOWMBRL1** Towing member, low-mounted under frame
- **TOWMBRL2** Towing member, low and forward-mounted under frame
- **TOWMBRM** Towing member, medium-mounted in line with lower frame flange
- **RFEC-L** Tapered lower rear frame end (for centre axle drawbar)
- **RFEC-S** Straight-cut rear frame end
- **RFEC-U** Upper corner cut on rear frame end (for e.g. tipper, refuse and hook lift applications)
- **C-RI4040** Coupling Ringfeder 4040A G-150
- **C-RI4045** Coupling Ringfeder 4045A G-150
- **C-RI5050** Coupling Ringfeder 5050A G-150
- **C-RO50** Coupling Rockinger 50 mm
- **C-VBG520** Coupling VBG 5200D
- **C-VBG795** Coupling VBG 795V
- **TOWR-ONE** Brace that can be used for towing in specific situations. The brace is mounted on the end cross member, and if the end cross member is thinner than 8 mm, it will be reinforced. The brace includes a lockable pin and is dimensioned for a 3-tonne centre-axle trailer or a 10-tonne articulated drawbar trailer. It

MODEL RANGE

FM 64 Rigid Electric FM 64R E

- may only be used for short-distance, on-site transport in confined areas and at speeds of a maximum of 30 km/h.
- TREL-PK** Trailer electrical preparation kit (chassis/cab wiring)
- TREL14** 14-pin trailer connection
- TREL15** 15-pin trailer connection (ADR certified)
- TREL7-7** 2x7-pin trailer connection (ISO 24N+24S, non-ADR)
- TBC-EC** Trailer brake connection, European Community
- TRBR-HCR** Reduced-pressure, hand-controlled trailer brake check (4 bar)
- TRBR-STA** Stationary trailer brake check
- TRB-STRE** Stretch brake, trailer brake activation at low speeds to avoid jack-knifing and improve stability
- RFEND-B** Rear 3-piece mudguards (anti-spray) on all rear axles
- RFH-BAS** Basic mudguard installation height on 2nd front axle and rear axles
- RFH-HIG** High mudguard installation height on 2nd front axle and rear axles
- RFH-LOW** Low mudguard installation height on 2nd front axle and rear axles
- AUXATNK** Extra air tank for air suspension
- RESTS-W** Reflective white stripes on chassis side: underrun protection, tool box, between mudguards, overhang
- REST-RUP** Reflective red stripe on rear underrun protection
- BLIGHT-E** Flashing brake lights will automatically activate in emergency braking. The flashing frequency is 4 Hz and emergency braking is detected if speed exceeds 50 km/h and retardation is 4 m/s² or more. The function deactivates when retardation is less than 2.5 m/s².

Rims and tyres

- RT-AL** Brushed aluminium rims with standard holes (long stud fixing) on all axles
- RT-AL1** LvL ONE® smooth and glossy aluminium rims with standard holes (long stud fixing) on all axles
- RT-AL1DU** LvL ONE® smooth and glossy aluminium rims with countersunk holes (short stud fixing) on all axles
- RT-ALDP** Dura-Bright® polished aluminium rims with standard holes (long stud fixing) on all axles
- RT-ALDPD** Dura-Bright® polished aluminium rims with countersunk holes (short stud fixing) on all axles
- RT-ALDU** Brushed aluminium rims with countersunk holes (short stud fixing) on all axles
- RT-ALP** Polished aluminium rims with standard holes (long stud fixing) on all axles
- RT-ALPDU** Polished aluminium rims with countersunk holes (short stud fixing) on all axles
- SPWT-D** Spare driving wheel
- SPWT-F** Spare front wheel
- SWCP-T** Spare wheel transport-mounted on top of frame
- SWCP-TP** Spare wheel and carrier transport-mounted on top of frame
- JACK-12T** Hydraulic jack, 12 tonnes. Low manual pumping force facilitates use in uncomfortable positions. Has a release valve, which permits safe, easy and precise control over rate of lowering and a filter in the oil reservoir gives protection from contamination. Height 180-315 mm, weight 7.0 kg
- JACK-15T** Hydraulic jack, 15 tonnes. Low manual pumping force facilitates use in uncomfortable positions. Has a release valve, which permits safe, easy and precise control over rate of lowering and a filter in the oil reservoir gives protection from contamination. Height 225-438 mm, weight 9.4 kg
- JACK-20T** Hydraulic jack, 20 tonnes. Low manual pumping force facilitates use in uncomfortable positions. Has a release valve, which permits safe, easy and precise control over rate of lowering and a filter in the oil reservoir gives protection from contamination. For FM: Height 190-325 mm, weight 10.5 kg For FH: height 240-467 mm, weight 13.3 kg

- Standard Equipment
- Optional Equipment

For more detailed information about cab and powertrain equipment, please refer to separate specification sheets.

For all possible options and combinations of options please consult your Volvo sales contact who can create a specification to match your requirements using the Volvo Sales Support system (VSS).

The factory reserves the right to modify design and change equipment without previous notification. The specification can vary from country to country.

- TOOLKIT** This kit consists of a tool bag (case) including the following tools:
 - Combination screwdriver.
 - 1 screwdriver handle
 - 1 blade, Philips/flat blade
 - 1 blade, Torx T10/Torx T20
 - 1 blade, Torx T25/Torx T27
 - 1 blade, Torx T30/Torx T40
 - Socket wrench.
 - Adjustable pliers.
 - Allen key.
 - Adjustable spanner.
 - Hammer.
- INFLAHOS** Tyre inflation hose 18 m. The air is supplied by a chassis-mounted pneumatic outlet (must be ordered separately).
- GAUGE-TP** Tyre pressure gauge

Powertrain equipment

- DRM-B** I-Shift drive mode Standard
- DRM-BE** I-Shift drive modes Range, Standard and Performance
- EP400A** Electrical power outlet, 400 V AC
- EPTC270**
- HPM-F101** Hydraulic fixed displacement pump F1-101 for electric motor
- HPM-F41** Hydraulic fixed displacement pump F1-41 for electric motor
- HPM-F51** Hydraulic fixed displacement pump F1-51 for electric motor
- HPM-F61** Hydraulic fixed displacement pump F1-61 for electric motor
- HPM-F81** Hydraulic fixed displacement pump F1-81 for electric motor
- HPM-T42** Hydraulic twin flow displacement pump F2-42/42 for electric motor
- HPM-T53** Hydraulic twin flow displacement pump F2-53/53 for electric motor
- HPM-T55** Hydraulic twin flow displacement pump F2-55/28 for electric motor
- HPM-T70** Hydraulic twin flow displacement pump F2-70/35 for electric motor
- HPM-V130** Hydraulic variable displacement pump VP1-130 for electric motor
- HPM-V45** Hydraulic variable displacement pump VP1-45 for electric motor
- HPM-V75** Hydraulic variable displacement pump VP1-75 for electric motor
- HPM-V95** Hydraulic variable displacement pump VP1-95 for electric motor
- PTR-D** Gearbox low-speed PTO, 1 rear connection DIN 5462/ISO 7653 for plug-in pump, 1000 Nm
- PTR-DH** Gearbox high-speed PTO, 1 rear connection DIN 5462/ISO 7653 for plug-in pump, 600 Nm
- PTR-DM** Gearbox medium-speed PTO, 1 rear connection DIN 5462/ISO 7653 for plug-in pump, 600 Nm
- PTR-F** Gearbox low-speed PTO, 1 rear flange connection SAE 1410/ISO 7647 for propshaft, 1000 Nm
- PTR-FH** Gearbox high-speed PTO, 1 rear flange connection SAE 1310/ISO 7647 for propshaft, 600 Nm
- PTR-FL** Gearbox low-speed PTO, 1 rear flange connection SAE 1310/ISO 7647 for propshaft, 600 Nm
- PTRD-D** Gearbox high-speed PTO, 1 rear + 1 front DIN 5462/ISO 7653 for plug-in pumps, 870 Nm
- PTRD-D1** Gearbox high-speed PTO, 1 rear SAE 1410/ISO 7647, 1 front DIN5462/ISO7653, 870 Nm
- PTRD-D2** Gearbox PTO, 2 rear hi/lo-speed SAE1310/1410/ISO7647, 1 front hi-speed DIN5462/ISO7653, 870/1000 Nm
- PTRD-F** Gearbox high-speed PTO, 1 rear flange connection SAE 1410/ISO 7647 for propshaft, 870 Nm
- HPG-F81** Gearbox-mounted hydraulic pump F1-81, fixed displacement, single flow

Cab Interior, Driving

- CRUIS-E** I-Cruise cruise control, I-Roll included
- DTRI-PER** Dashboard and door panels Peregrine (grey) and Raven (dark grey), steering wheel Raven
- STWPOS-L** Left-hand drive

MODEL RANGE

FM 64 Rigid Electric FM 64R E

- STWM-LE** Steering wheel material leather
 - STGW-AD2** Manually adjustable steering wheel with neck tilt
 - STGW-ADJ** Manually adjustable steering wheel
 - 1DAYB** One-day analogue tachograph, basic
 - 1DAYDIG4** Gen 4, one-day digital tachograph, EC approved
 - TAC-PK2** Preparation kit for tachograph
 - ARSL** Additional road speed limiter control (switch in dashboard)
 - ESP-BAS1** ESP for tractor combinations with ABS/EBS or rigid vehicles/combinations with std center of gravity
 - ESPC-RO** Electronic stability program functionality control, switch - On/Reduced/Off
 - HWSS-ACB** Adaptive cruise control with forward collision warning (stationary and moving objects) and emergency braking. Using both radar and camera to collect info.
 - HWSS-FCB** Collision Warning with Emergency Brake (forward)
 - LSS-DW** Lane Keeping Support - lane departure warning
 - LSS-DW3** Pilot Assist - active, continuous lane keeping
 - LCS2** Side Collision Avoidance Support, passenger side collision warning (sound and visual information), passenger side
 - LCS4** Side Collision Avoidance Support, side collision warning, both sides
 - DAS-W** Driver Alert Support
 - RSSENS-W** Wipers rain sensor
 - CU-ECC** Automatic climate control with sun sensor
 - CU-ECC2** Automatic climate control with sun sensor, humidity sensor, air quality sensor and carbon filter
 - IMMOBIL** Immobiliser
 - ALARM-E** Anti-theft alarm for cab, superstructure and trailer
 - ISUNS-BS** Side interior roller blind on both sides, manually manoeuvred
 - ISUNS-DS** Side interior roller blind on driver's side, manually manoeuvred
 - ISUNF-RE** Interior roller blind, integrated in front shelf, electrically manoeuvred
 - ISUNF-RM** Interior roller blind, integrated in front shelf, manually manoeuvred
 - ADFS** Two extra DIN slots in front shelf, 165x40x180 mm (W x H x D)
 - BUPALARM** Reversing warning
 - LOADIND** Load indicator, shown in instrument display and side display
 - REMC-MF** Wireless remote control, multi-functional
 - FIREXT3S** Fire extinguisher 3 kg, Swedish/English decal
 - WARNVEST** Reflective vest, fulfils European standard EN 471 class 2
 - WARNTRI2** Two warning triangles
 - AIDKIT** First aid kit containing sticking plaster, washing and drying pads, compresses, elastic bandages, respiratory mask, gloves and scissors.
 - WRITEPAD** Writing pad with paper clamp
- Cab Interior, Living**
- DST-CF4** Driver's seat Comfort, belt in seat
 - DST-CF5** Driver's seat Comfort, belt in seat, heated, adjustable lumbar&side support, extendable seat cushion
 - DST-CF6** Driver's seat Comfort, belt in seat, heated, ventilated
 - DST-LUX1** Driver's seat Deluxe, belt in seat, heated, ventilated
 - PST-BAS1** Passenger seat Basic, non-suspended
 - PST-CF4** Passenger seat Comfort, suspended, belt in seat
 - PST-CF5** Passenger seat Comfort, suspended, belt in seat, electrically heated
 - PST-STD2** Passenger seat Regular, non-suspended
 - PST-STD4** Passenger seat Regular, suspended
 - SBPRE-PS** Passenger seat belt pretensioner
- ARMRE-BB** Two armrests on both driver's and passenger seats
 - ARMRE-DB** Two armrests on driver's seat
 - ARMRE-PB** Two armrests on passenger seat
 - ARU-BAS** Vinyl armrest upholstery
 - ARU-LEA** Leather armrest upholstery
 - FMAT-RUB** Black rubber floor mats
 - FMAT-TX2** Two textile (dark grey on FH/FM/FMX, black on FH16) and two black rubber floor mats
 - LBK70** Lower fixed bed 2000x700 mm, non-foldable, safety net included
 - MATL-FI** Mattress lower bed firm, pocket springs, recommended for body weight over 100 kg
 - MATL-SF** Mattress lower bed semi-firm, pocket springs, recommended for body weight up to 100 kg
 - OLMAT-BA** Overlay mattress, 28 mm thick black textile
 - OLMAT-PR** Overlay mattress Premium, 35 mm thick black textile
 - TBK60F** Fixed top bed 600x1900 mm, foldable up to 52° (depending on cab & upper storage), net included
 - TBK70F** Fixed top bed 700x1900 mm, foldable up to 52° (depending on cab & upper storage), net included
 - SLCP-BAS** Basic sleeper control panel (interior light, parking heater, roof hatch, door locks)
 - ETSB-FRS** Storage at front of engine tunnel and immersed in RH side of tunnel
 - ETSB-FS** Storage at back of engine tunnel, at back against rear cab wall and immersed in RH side of tunnel
 - ETSB-S** Storage immersed in RH side of engine tunnel
 - RUS-BAS** Storage in rear upper cab, 154 litres (300 mm high)
 - RUS-HIG** Storage in rear upper cab, 245 litres (440 mm high)
 - REF-ICPK** Preparation kit for refrigerator
 - REFR-RUS** Refrigerator 28-litre, with dividers, on rear upper wall
 - MICRO-PK** Preparation kit for microwave oven (electrical cables to front shelf)
 - BOTH-D** One bottle holder under dashboard centre section
 - COFMA-PK** Preparation kit (24 V) for coffee maker
 - INLI-BAS** Interior white light with smooth light transition at on/off, no dimming
 - INLI-NL** Interior white and red (night) light with smooth light transition at on/off
 - INLI-NLD** Interior white and red (night) light with smooth light transition at on/off and dimmer
 - ARL-FLEX** Two (driver and passenger side) LED reading lamps with flexible arms, mounted on sidewalls
 - RH-EE** Roof skylight/emergency exit, tinted glass (not a hatch)
 - RH-ER** Roof hatch, electrically operated, steel, with emergency exit handle
 - RH-ETR** Roof hatch, electrically operated, tinted glass, rear opening 50 mm
 - RH-MTR** Roof hatch, manually operated, tinted glass, rear opening 50 mm
 - GLAS-TIN** Tinted windows
 - AWIND-RF** Fixed window in back of cab (without curtains)
 - SWIND-BS** Rear side window on both sides
 - SWIND-PS** Rear side window on passenger side
 - VANMIR** Vanity mirror in front shelf lid
 - AS-FUS** One extra shelf in each of the two front upper storage compartments
 - INFOT-PK** Preparation kit (bracket, security straps, and antenna cable) for mounting of TV above driver door
- Cab exterior**
- EXTL-BA2** Exterior trim level basic 2

Standard Equipment Optional Equipment

For more detailed information about cab and powertrain equipment, please refer to separate specification sheets.

For all possible options and combinations of options please consult your Volvo sales contact who can create a specification to match your requirements using the Volvo Sales Support system (VSS).

The factory reserves the right to modify design and change equipment without previous notification. The specification can vary from country to country.

MODEL RANGE

FM 64 Rigid Electric FM 64R E

<ul style="list-style-type: none"> ■ BUMP-B Plastic front bumper □ BUMP-B2 Steel front bumper ■ BUMP-SP Front bumper spoiler □ SIDEH-B Guide rail on day cab, driver's side □ SIDSTP-R Side ladder and guide rail on day cab, driver's side □ CTILTP-E Electric cab tilt pump ■ CTILTP-M Manual cab tilt pump □ FCABS-A Air front cab suspension ■ FCABS-M Mechanical front cab suspension □ RCABS-A Air rear cab suspension ■ RCABS-M Mechanical rear cab suspension □ MIRCFCPS Rear-view and wide-angle mirrors (both sides), passenger corner camera (FM, FH) □ MIRCMP Camera Monitor System and passenger corner camera □ MIRCMS Camera Monitor System ■ MIRCOMF Rear-view and wide-angle mirrors (both sides), kerb observation mirror □ MIRCOMFX Robust rear-view and wide-angle mirrors (both sides), kerb observation mirror ■ AMIR-F20 Front close-view mirror above windscreen, passenger side (radius 200 mm) □ AMIR-FCR Front and corner close-view mirror, passenger side (radius 200 mm) □ SUNV-H Exterior front sun visor, transparent dark-grey □ AD-ROOF Roof air deflector □ AD-SIDES Cab side air deflectors, short □ AD-CHASX Chassis fairings, extended □ ADCF-F Aerodynamic flaps on chassis fairings ■ HL-LED LED headlamps □ HL-LED3 LED headlamps with adaptive high beam □ HLP-ST Steel headlamp protectors (steel and plastic for FMX) □ HLP-ST2 Steel and plastic headlamp protectors with steel grating for extra rough applications ■ DRL-LED Daytime running lamps (LED) □ UDRL Without daytime running lamps (LED) □ DRIVL2 Extra main beam ■ UDRIVL Without extra main beam ■ FOGL-WC White front fog lamps □ CL-STAT Static cornering lights □ ASL-RF2 Two LED spot lamps in sign box □ IDLAMP-A Three amber identification lamps on mid front roof □ IDLAMP-W Three white identification lamps on mid front roof □ IDLMPSW Switch in cab for identification lamps □ BEACOA2F Two amber LED beacons on cab front roof □ BEACOA2R Two amber LED beacons on cab rear roof □ BEACON-P Preparation kit for roof beacons □ BEACONA4 Four amber LED beacons on roof - two on front, two on rear □ CABPT-R1 One front cab roof pass-through on passenger side ■ CABPT-R2 Two front cab roof pass-throughs, one on each side □ SPOTP-F Preparation kit for spot lamp in cab front, max 280 W □ SPOTP-R Preparation kit for spot lamp in cab roof, max 280 W □ SPOTP-RF Preparation kit for spot lamp in cab roof and front, max 280 W □ ROS-IL2 Preparation kit for installation of roof sign illumination □ CSGN-GTR Globetrotter decal in the roof sign box □ HORN-F1S Single-tone Jericho horn behind grille, operated by steering wheel buttons □ ANT-CBR Preparation kit for communication/CB radio: roof-mounted single antenna and wiring 	<ul style="list-style-type: none"> □ ACCBR-AP Accessory brackets mounted on front roof, midroof and rear roof □ ACCBR-F Accessory bracket mounted on front roof □ ACCBR-FM Accessory brackets mounted on front roof and midroof □ ACCBR-FR Accessory brackets mounted on front and rear roof □ ACCBR-M Accessory bracket mounted on midroof □ ACCBR-R Accessory brackets mounted on mid-roof and rear roof □ ACCBR-RM Accessory bracket mounted on rear roof □ REFS-CW Reflecting white stripes mounted on cab side □ REFS-TW Reflecting white cab side stripes by-packed in cab □ REFS-TY Reflecting yellow cab side stripes by-packed in cab <p>Superstructure preparations</p> <ul style="list-style-type: none"> □ SW745-EE Swap body with front stop block for wheelbase 4600 mm, body lengths 7150/7450 mm, height 130 mm □ SW745-GE Swap body with front stop block for wheelbase 4600 mm, body lengths 7150/7450 mm, height 190 mm □ SW782-ME Swap body with front stop block for wheelbase 4900 mm, body lengths 7150/7450/7820 mm, height 130 mm □ SW782-OE Swap body with front stop block for wheelbase 4900 mm, body lengths 7150/7450/7820 mm, height 190 mm □ CROSSRE Cross reinforcement of frame for swap body □ SRWL-PK Preparation kit for LED reverse/work lamps at rear chassis, 3-pos switch (On/Off/Reverse auto On) □ SWL-2FW 2 white LED work lamps at front of chassis, and a 2-position switch (On/Off) □ SWL-2RW 2 white LED work lamps, rearward-facing on rear chassis (LH/RH side) □ SWL-4W 4 white LED work lamps on chassis (2 front, 2 rear) and a flexible switch (On/Off) □ SWL-PK Preparation kit for LED work lamps on chassis, with a 2-pos switch (On/Off) □ WL-CHPK Preparation kit for work lamp (switch with cable to frame, by gearbox) □ WLC-H2A □ WLC-H2W 2 white LED work lamps, high-mounted on back of cab (switch included) □ WLC-PKCH Preparation kit (cables and switch) for work lamp inside or outside superstructure □ WLC-PKH Preparation kit (cables and switch) for high-mounted work lamps on back of cab □ WLC-PKL Preparation kit (cables and switch) for low-mounted work lamps on back of cab □ WLC-PKLH Preparation kit (cables and switch) for low- and high-mounted work lamps on back of cab □ ECBB-BAS Body builder electrical centre, prepared for body builder module ■ ECBB-HIG Body builder electrical centre, body builder module with 14 high and 4 low digital outlets □ BBCHAS1 One 7-pole bodywork connector on chassis □ BBCHAS3 Three 7-pole bodywork connectors on chassis □ BEPR-T2 Bodywork electrical and software preparation for tipper with remote control □ EXSTER Support for external steering control via body builder module ■ TD-LED TD-LED detects trailers that have either bulb lights or LED lights. Continuous monitoring of the trailer connection status allows optimization of gear shifting and systems like Electronic Stability Program (ESP). Full diagnostics are available for bulb lights, while for LED lights the system cannot identify an "open circuit". □ FBA-BTF Front body attachment brackets, lower, for flexible body □ FBA-BTFS Front body attachment brackets, lower, for semi-flexible body ■ HBA-FSFB Holes for body attachments, flexible/semi-flexible body □ HBA-SB Holes for body attachments, stiff body □ RBA-T2 Rear body attachment brackets, lower □ CRANEPK1 Frame-mounted crane interface plates, up to 10 tonne-metres □ CRANEPK2 Frame-mounted crane interface plates, up to 20 tonne-metres □ CRANEPK4 Frame-mounted crane interface plates, up to 40 tonne-metres
--	---

■ Standard Equipment □ Optional Equipment

For more detailed information about cab and powertrain equipment, please refer to separate specification sheets.

For all possible options and combinations of options please consult your Volvo sales contact who can create a specification to match your requirements using the Volvo Sales Support system (VSS).

The factory reserves the right to modify design and change equipment without previous notification. The specification can vary from country to country.

MODEL RANGE

FM 64 Rigid Electric FM 64R E

- **AUXL-SPK** Preparation kit (wiring and a switch in dashboard) for snow plough lamps
- **TAILPRE2** Tail lift preparation kit, wireless remote operation
- **TAILPREP** Tail lift preparation kit
- **AESW2** 2 bistable bodywork switches (marked AUX1/AUX2)
- **AESW2PK** 2 bistable bodywork switches (marked AUX1/AUX2) + prepared for 4 bistable switches (dummy switches)
- **AUXSW-4** Hardwiring for 4 extra switches (from body builder electrical centre to instrument panel)

Services

- **FMS-PK** Fleet management system gateway, preparation kit
- **DRUT1** My Truck service/app (remote vehicle status, alerts and control), 1-year prepaid subscription
- **DRUT2** My Truck service/app (remote vehicle status, alerts and control), 2-year prepaid subscription
- **DRUT3** My Truck service/app (remote vehicle status, alerts and control), 3-year prepaid subscription
- **DRUT4** My Truck service/app (remote vehicle status, alerts and control), 4-year prepaid subscription
- **DRUT5** My Truck service/app (remote vehicle status, alerts and control), 5-year prepaid subscription
- **TSRS2** Road sign recognition (not ISA compliant)