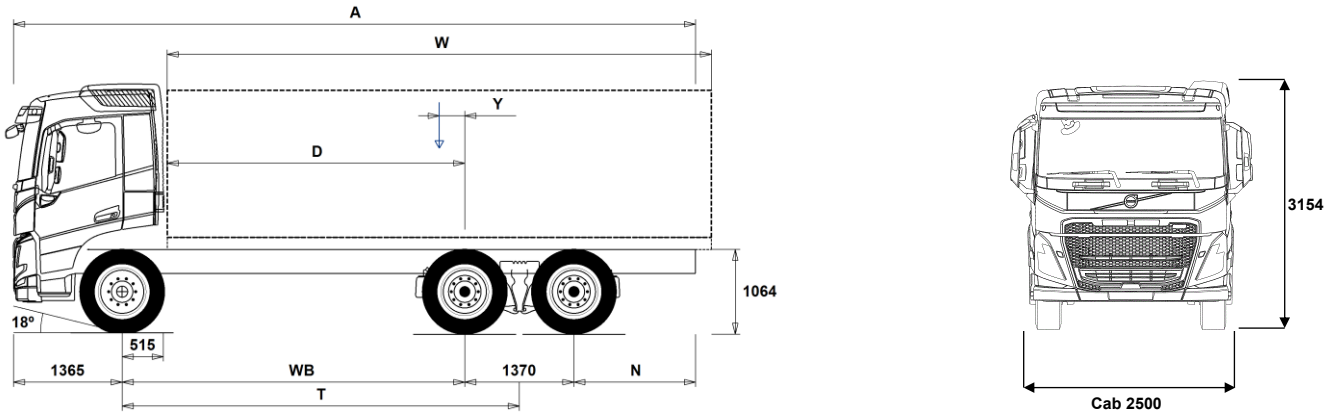


MODEL RANGE

FM D11 64 Rigid Diesel Rear Air FM 64R 1A



Chassis Dimensions [mm]

WB Wheelbase	3200	3400	3700	4300	4600	4900	5200	5600
A Overall Chassis Length	7710	7310	8460	9410	10560	10310	10810	11410
D Center of rear axle to front of body	2635	2835	3135	3735	4035	4335	4635	5035
N Rear Overhang (Min.)	825	825	825	825	825	825	1225	1225
N Rear Overhang (Max.)	1775	1175	2025	2375	3225	2675	2875	3075
T Theoretical Wheelbase	3885	4085	4385	4985	5285	5585	5885	6285
Y Center of Gravity for Payload (Min.)	200	238	311	444	519	576	642	729
Y Center of Gravity for Payload (Max.)	200	238	311	444	519	576	642	729
W Body Length (Min.)	4873	5196	5650	6584	7035	7521	7987	8615
W Body Length (Max.)	4873	5196	5650	6584	7035	7521	7987	8615

Chassis Weights [kg]

Front Axle	4835	4870	4860	4900	4895	4940	4955	4985
Rear Bogie	3455	3405	3495	3570	3675	3630	3660	3700
Kerb Weight	8290	8275	8355	8470	8570	8570	8615	8685
Payload (including body, driver, fuel, etc.)	22710	22725	22645	22530	22430	22430	22385	22315

Turning Diameter [mm]

Turning Circle Diameter Kerb to Kerb	13900	14500	15500	17300	18200	19100	20000	21300
Turning Circle Diameter Wall to Wall	15300	15900	16900	18700	19600	20500	21500	22700

Plated Weights [kg]

	Design
Gross Vehicle Weight	31000
Gross Combination Weight	44000
Front Axle	10000
Rear Bogie	21000

Important Notes

Chassis Dimensions

Cab Height: +328 mm for CAB-HSLP, -262 mm for CAB-LDAY, -262 mm for CAB-LSLP, +16 mm for CAB-SLP.
 Front Axle to Back of Cab: +431 mm for CAB-HSLP and CAB-SLP, -69 mm for CAB-LDAY, +425 mm for CAB-LSLP.
 D-measure includes a front clearance of 50 mm and for rigid trucks also a subframe of 100 mm.
 Height can vary ± 20 mm for leaf and ± 10 mm for air suspension.
 All dimensions are for unladen chassis and any tag axles down. Chassis height used: CHH-HIGH.
 Rear overhang used for vehicle weight calculation is the maximum rear overhang (N Max.) for selected wheelbase.
 Height change when chassis height CHH-MED,FRAME300: 0 mm.

Weight and dimensions are based upon the following tyres:
 Front Axle Tyres: 315/80R22.5
 Drive Axle Tyres: 315/80R22.5

Chassis weight includes oil, water, AdBlue, 0 litres fuel and without driver. Kerb weight can vary ± 3%.

Turning diameters are theoretically calculated.

Legal weights can differ from country to country.

For more detailed weight information, including optional equipment weights, ask your Volvo sales contact to enter your specification into the Volvo Weight Information system (WIS).

Do NOT use this drawing for bodybuilding. Refer to Volvo Bodybuilder Instructions and chassis assembly drawing FM64R1A.

MODEL RANGE

FM D11 64 Rigid Diesel Rear Air FM 64R 1A

Transport operation

- **RC-ROUGH** Rough road conditions: frequent driving on poorly maintained surfaced roads, hard-packed sand or gravel, or other surfaces of good or bad quality.
- **RC-SMOOT** Smooth road conditions: at least 95% of the driven distance is on well-maintained or less maintained surfaced roads. Driving may occur on poorly maintained surfaced roads, hard-packed sand, or gravel surfaces of good or bad quality.
- **GARB-PRE** Refuse vehicle preparation
- **TIPP-PRE** Tipper vehicle preparation
- **UNIFORM** Basic platform vehicle

Core components

- **CHH-HIGH** Chassis height high - approx. 1000 mm above ground level
- **CHH-MED** Chassis height medium - approx. 900 mm above ground level
- **RADD-GR** Rear air suspension - two axles, both driving
- **CDCOPREP** Preparation kit for day cab cut-out (free text CA needed)
- **FM-CREW** FM crew cab (free-text CA needed)
- **FM-DAY6** FM day cab
- **FM-HSLP6** FM Globetrotter, high sleeper cab
- **FM-LDAY6** FM low day cab
- **FM-LSLP6** FM low sleeper cab
- **FM-SLP6** FM sleeper cab
- **EU5EEV** Euro 5, Enhanced Environmentally Friendly Vehicle (EEV)
- **EU5SCR-M** Euro 5 with Selective Catalytic Reduction (SCR)
- **EU6SCR** Euro 6 with SCR, particulate filter and EGR, Turbo-S
- **D11S330A** Diesel engine, Euro 6, 10.8 litres, 330 hp/246 kW, 1600 Nm
- **D11S380A** Diesel engine, Euro 6, 10.8 litres, 380 hp/279 kW, 1800 Nm
- **D11S430A** Diesel engine, Euro 6, 10.8 litres, 430 hp/317 kW, 2050 Nm
- **D11S460A** Diesel engine, Euro 6, 10.8 litres, 460 hp/338 kW, 2200 Nm
- **D11A330** Diesel engine, Euro 3, 10.8 litres, 330 hp/243 kW, 1600 Nm
- **D11A370** Diesel engine, Euro 3, 10.8 litres, 370 hp/273 kW, 1770 Nm
- **D11A430** Diesel engine, Euro 3, 10.8 litres, 430 hp/317 kW, 1970 Nm
- **D11C330** Diesel engine, Euro 4/5, 10.8 litres, 330 hp/243 kW, 1600 Nm
- **D11C370** Diesel engine, Euro 4/5, 10.8 litres, 370 hp/273 kW, 1750 Nm
- **D11C410** Diesel engine, Euro 4/5, 10.8 litres, 410 hp/302 kW, 1950 Nm
- **D11C450** Diesel engine, Euro 4/5, 10.8 litres, 450 hp/332 kW, 2150 Nm
- **D11K330** Diesel engine, Euro 6, 10.8 litres, 330 hp/243 kW
- **D11K380** Diesel engine, Euro 6, 10.8 litres, 380 hp/280 kW
- **D11K430** Diesel engine, Euro 6, 10.8 litres, 430 hp/317 kW
- **D11K460** Diesel engine, Euro 6, 10.8 litres, 460 hp/338 kW
- **EBR-VEB** Volvo Engine Brake, VEB (compression brake with exhaust pressure governor, EPG)
- **AT2412** I-Shift automated 12-speed gearbox, 2400 Nm
- **AT2612** I-Shift automated 12-speed gearbox, 2600 Nm
- **ATO2612** I-Shift automated 12-speed gearbox with overdrive, 2600 Nm
- **PT2106** Powertronic 6-speed powershift gearbox, 2100 Nm

- **TAAXLIFT** Tandem Axle Lift for driven bogie axle
- **RTH2610B** Rear hub reduction tandem axle - bogie load 26 tonnes, GCW 100 tonnes, 4 planet gears
- **RTH2610F** Rear hub reduction tandem axle - bogie load 26 tonnes, GCW 100 tonnes, version F
- **RTS2310A** Rear single reduction tandem axles - bogie load 23 tonnes, GCW 100 tonnes
- **RTS2370A** Rear single reduction tandem axle - bogie load 23 tonnes, GCW 70 tonnes

Packages

- **INFOBASE** Information package, basic (without side display)
- **INFOHIGH** Information package, high (with side display)
- **CHASPAC** Rigid chassis package

Chassis

- **FST-AIR** Front air suspension
- **FST-PAR** Two-leaf front parabolic springs (normal stiffness)
- **FST-PAR3** Three-leaf front parabolic springs (stiffer than normal)
- **FST-PL1** Two-leaf front parabolic springs, lightweight composite support leaf (normal stiffness)

- **FSLs-BAS** Basic levelling stroke in front air suspension (high ground clearance under front axle member)
- **FSLs-HI** High-range levelling stroke in front air susp. (reduced ground clearance under front axle member)
- **FAL10.0** Front axle load 10.0 tonnes
- **FAL7.1** Front axle load 7.1 tonnes
- **FAL8.0** Front axle load 8.0 tonnes
- **FAL8.5** Front axle load 8.5 tonnes
- **FAL9.0** Front axle load 9.0 tonnes
- **FSTAB** Front anti-roll bar, normal stiffness
- **FSTAB2** Front anti-roll bar, high stiffness
- **FSTAB3** Front anti-roll bar, extra-high stiffness
- **RAL21** Rear axles load 21 tonnes
- **RAL23** Rear axles load 23 tonnes
- **RAL26** Rear axles load 26 tonnes
- **RSTAB1** Rear anti-roll bar, normal stiffness
- **RSTAB3** Rear anti-roll bar, extra-high stiffness
- **RALIM105** First rear driving axle load limiter, 10.5 tonnes (speed controlled)
- **RALIM115** First rear driving axle load limiter, 11.5 tonnes (speed controlled)
- **RALIM13** First rear drive axle load limiter, 13 tonnes
- **RALIM15** First rear driving axle load limiter, 15 tonnes
- **RALIM95** First rear driving axle load limiter, 9.5 tonnes (speed controlled)
- **ASF-DL1** Air suspension with one ride height
- **ASF-DL3** Air suspension with three ride heights
- **ACTST-TO** Volvo Dynamic Steering
- **ASFE-BAS** Volvo Dynamic Steering, basic
- **ASFE-OG** Volvo Dynamic Steering with Stability Assist
- **ASFE-PO** Volvo Dynamic Steering with Personal Settings and Stability Assist
- **ASFE-PS** Volvo Dynamic Steering with Personal Settings
- **PSS-SING** Single power steering system
- **PSP-FIX** Power steering pump with fixed displacement
- **PSP-VAR** Power steering pump with variable displacement
- **PSP-VAR2** Power steering pump with variable displacement (extra valve)
- **EBS-MED** EBS (Electronic Braking System), Medium package
- **EBS-STD** EBS (Electronic Braking System), Standard package
- **AUXPARK** Extra parking brake on one axle
- **RST-AIR** Rear air springs
- **RST-AIR6** Rear air springs for hot climates
- **FRAME266** Frame rail section external height 266 mm
- **FRAME300** Frame rail section external height 300 mm
- **FST7070** Frame thickness - web 7.0 mm / flange 7.0 mm
- **FST8080** Frame thickness - web 8.0 mm / flange 8.0 mm
- **FIL-EEEB** Frame inner liner from end of engine to end of bogie
- **FIL-EEEF** Frame inner liner from end of engine to end of frame
- **FIL-FBEB** Frame inner liner from front of bogie to end of bogie
- **FIL-TXEB** Frame inner liner from transmission cross member to end of bogie
- **FIL-TXEF** Frame inner liner from transmission cross member to end of frame
- **BBOX-L** Battery box on left-hand side
- **2BATT170** Batteries, 2x170 Ah
- **2BATT225** Batteries, 2x225 Ah
- **BATTAMP** Battery voltmeter and ammeter
- **BATTIND** Battery voltmeter, ammeter and battery status gauge with visual alerts
- **ADR1** ADR adaptation, 1 switch in dashboard
- **ADR2** ADR adaptation, 1 switch in dashboard, 1 outside on back of cab
- **MSWI-A** ADR main switch
- **MSWI-C** Main switch on chassis
- **MSWI-R** Key remote controlled main switch

- Standard Equipment
- Optional Equipment

For more detailed information about cab and powertrain equipment, please refer to separate specification sheets.

For all possible options and combinations of options please consult your Volvo sales contact who can create a specification to match your requirements using the Volvo Sales Support system (VSS).

The factory reserves the right to modify design and change equipment without previous notification. The specification can vary from country to country.

MODEL RANGE

FM D11 64 Rigid Diesel Rear Air FM 64R 1A

- **R450A71** Right 450-litre, D-shaped aluminium fuel tank, 710 mm high
Min volume 255l
Max volume 650l
- **UL-FUEL** Without left side fuel tank
Min volume 160l
Max volume 330l
- **ADTP-L** AdBlue tank on left hand side
- **ADTP-R** AdBlue tank on right hand side
- **ADB048** AdBlue tank: usable volume 48 litres, 560 mm high, mounted on chassis side
- **ADB064** AdBlue tank: usable volume 64 litres, 710 mm high, mounted on chassis side
- **ADB068** AdBlue tank: usable volume 68 litres, 560 mm high, mounted on chassis side
- **ADB083** AdBlue tank: usable volume 83 litres, 560 mm high, mounted on chassis side
- **ADB090** AdBlue tank: usable volume 90 litres, 710 mm high, mounted on chassis side
- **ADB100** AdBlue tank: usable volume 100 litres, 710 mm high, mounted on chassis side
- **ADB112** AdBlue tank: usable volume 112 litres, 710 mm high, mounted on chassis side
- **ADTC-BF** AdBlue tank cover, silver metallic
- **FCAP-L** Lockable diesel and AdBlue filler caps
- **FUFF-AS** Fuel filling anti-spillage device
- **FUFF-ATS** Fuel filling anti-theft and anti-spillage device
- **ESH-LEFT** Horizontal silencer, left exhaust outlet
- **ESH-REAR** Horizontal silencer, rear exhaust outlet
- **ESV-VERT** Vertical silencer, vertical exhaust outlet on right-hand side
- **EXST-SSP** Vertical exhaust top pipe, bright polished stainless steel
- **EXST-ST** Vertical exhaust top pipe, aluminised steel
- **HS-NAR** Muffler heat shield (EATS), narrow
- **WHC-FIX2** Two non-collapsible wheel chocks
- **WHC-FOL2** Two collapsible wheel chocks
- **WHCP-F** Wheel chock holder in the front part of the vehicle
- **WHCP-M** Wheel chock holder in the middle part of the vehicle
- **WHCP-R** Wheel chock holder in the rear part of the vehicle
- **WHCP-T** Wheel chock holder by-packed in cab outer luggage compartment
- **TB-L80** Tool box on left-hand side, 205-litre - width 730 mm, height 590, depth 595 mm
- **TB-R80** Tool box on right-hand side, 205-litre - width 730 mm, height 590, depth 595 mm
- **SUP-BAS** Standard side underrun protection, aluminium
- **SUP-LOW** Low side underrun protection, aluminium
- **CHAIN-S** Snow chains
- **HOOK-SC** Snow chain hooks
- **TOWF-NO1** One front towing device
- **TOWF-NO2** Two front towing devices
- **TOWMBRL2** Towing member, low and forward-mounted under frame
- **RFEC-L** Tapered lower rear frame end (for centre axle drawbar)
- **RFEC-S** Straight-cut rear frame end
- **RFEC-U** Upper corner cut on rear frame end (for e.g. tipper, refuse and hook lift applications)
- **C-RI4040** Coupling Ringfeder 4040A G-150
- **C-RI4045** Coupling Ringfeder 4045A G-150
- **C-RI5050** Coupling Ringfeder 5050A G-150
- **C-RO50** Coupling Rockinger 50 mm
- **C-VBG520** Coupling VBG 5200D
- **C-VBG795** Coupling VBG 795V
- **TOWR-ONE** Brace that can be used for towing in specific situations. The brace is mounted on the end cross member, and if the end cross member is thinner than 8 mm, it will be reinforced. The brace includes a lockable pin and is dimensioned for a 3-tonne centre-axle trailer or a 10-tonne articulated drawbar trailer. It may only be used for short-distance, on-site transport in confined areas and at speeds of a maximum of 30 km/h.
- **TREL-PK** Trailer electrical preparation kit (chassis/cab wiring)
- **TREL15** 15-pin trailer connection (ADR certified)
- **TREL7** 7-pin trailer connection (ISO 24N)
- **TREL7-7** 2x7-pin trailer connection (ISO 24N+24S, non-ADR)
- **TBC-EC** Trailer brake connection, European Community
- **TRBR-HCR** Reduced-pressure, hand-controlled trailer brake check (4 bar)
- **TRBR-STA** Stationary trailer brake check
- **TRB-STRE** Stretch brake, trailer brake activation at low speeds to avoid jack-knifing and improve stability
- **RUP-FOLD** Foldable and slidable aluminium rear underrun protection, not UN/ECE R58.03 compliant
- **RUP-FOSL** Foldable and slidable aluminium rear underrun protection, not UN/ECE R58.03 compliant
- **RFEND-B** Rear 3-piece mudguards (anti-spray) on all rear axles
- **RFH-BAS** Basic mudguard installation height on 2nd front axle and rear axles
- **RFH-HIG** High mudguard installation height on 2nd front axle and rear axles
- **RFH-LOW** Low mudguard installation height on 2nd front axle and rear axles
- **AUXATNK** Extra air tank for air suspension
- **ATANK-AL** Aluminium air tanks
- **ATANK-ST** Steel air tanks
- **TL-LED** LED tail lamps (tail light, exterior marker light, brake light, hazard warning light, reverse light, rear fog light, licence plate light and reflector)
- **BLIGHT-E** Flashing brake lights will automatically activate in emergency braking. The flashing frequency is 4 Hz and emergency braking is detected if speed exceeds 50 km/h and retardation is 4 m/s² or more. The function deactivates when retardation is less than 2.5 m/s².

Rims and tyres

- **RT-AL** Brushed aluminium rims with standard holes (long stud fixing) on all axles
- **RT-AL1** Lvl ONE® smooth and glossy aluminium rims with standard holes (long stud fixing) on all axles
- **RT-AL1DU** Lvl ONE® smooth and glossy aluminium rims with countersunk holes (short stud fixing) on all axles
- **RT-ALDP** Dura-Bright® polished aluminium rims with standard holes (long stud fixing) on all axles
- **RT-ALDPD** Dura-Bright® polished aluminium rims with countersunk holes (short stud fixing) on all axles
- **RT-ALDU** Brushed aluminium rims with countersunk holes (short stud fixing) on all axles
- **RT-STEEL** Steel rims on all axles
- **WCAP** Wheel caps
- **SPWT-D** Spare driving wheel
- **SPWT-F** Spare front wheel
- **SWCP-T** Spare wheel transport-mounted on top of frame
- **SWCP-TP** Spare wheel and carrier transport-mounted on top of frame
- **JACK-12T** Hydraulic jack, 12 tonnes. Low manual pumping force facilitates use in uncomfortable positions. Has a release valve, which permits safe, easy and precise control over rate of lowering and a filter in the oil reservoir gives protection from contamination.
Height 180-315 mm, weight 7.0 kg
- **JACK-15T** Hydraulic jack, 15 tonnes. Low manual pumping force facilitates use in uncomfortable positions. Has a release valve, which permits safe, easy and precise control over rate of lowering and a filter in the oil reservoir gives protection from contamination.
Height 225-438 mm, weight 9.4 kg

■ Standard Equipment □ Optional Equipment

For more detailed information about cab and powertrain equipment, please refer to separate specification sheets.

For all possible options and combinations of options please consult your Volvo sales contact who can create a specification to match your requirements using the Volvo Sales Support system (VSS).

The factory reserves the right to modify design and change equipment without previous notification. The specification can vary from country to country.

MODEL RANGE

FM D11 64 Rigid Diesel Rear Air FM 64R 1A

- **JACK-20T** Hydraulic jack, 20 tonnes. Low manual pumping force facilitates use in uncomfortable positions. Has a release valve, which permits safe, easy and precise control over rate of lowering and a filter in the oil reservoir gives protection from contamination.
For FM: Height 190-325 mm, weight 10.5 kg
For FH: height 240-467 mm, weight 13.3. kg
 - **TOOLKIT** This kit consists of a tool bag (case) including the following tools:
 - Combination screwdriver.
 - 1 screwdriver handle
 - 1 blade, Philips/flat blade
 - 1 blade, Torx T10/Torx T20
 - 1 blade, Torx T25/Torx T27
 - 1 blade, Torx T30/Torx T40
 - Socket wrench.
 - Adjustable pliers.
 - Allen key.
 - Adjustable spanner.
 - Hammer.
 - **INFLAHOS** Tyre inflation hose 18 m. The air is supplied by a chassis-mounted pneumatic outlet (must be ordered separately).
 - **GAUGE-TP** Tyre pressure gauge
- Powertrain equipment**
- **TRAP-HD** Reinforced gearbox range housing
 - **DRM-BE** I-Shift drive modes Economy, Standard and Performance
 - **DRM-E** I-Shift drive mode Economy
 - **PVT-BAS** I-See
 - **CRUIS-E** I-Cruise cruise control, I-Roll included
 - **AMSO-AUT** I-Shift manual gear shifting available in automatic mode, including kick-down function
 - **AVO-ENH** I-Shift with enhanced software for construction and off-road applications
 - **APF-ENH** I-Shift with enhanced PTO functions (Auto neutral for p. brake/Reverse inhibit/Split box connection)
 - **RET-TH** Gearbox-mounted, hydrodynamic oil retarder
 - **TC-HWO** Cooler for hydraulic gearboxes - water/oil
 - **TC-MAOH2** Extra high performance cooler for manual/I-shift gearboxes - air/oil
 - **TC-MWO** Basic performance cooler for manual/I-Shift gearboxes - water/oil
 - **TC-MWOH2** High performance cooler for manual/I-Shift gearboxes - water/oil
 - **2COM1080** Dual-cylinder air compressor 704 cc, 1080 l/min
 - **2COM1100** Dual-cylinder air compressor 760 cc, 1100 l/min
 - **2COMP870** Dual-cylinder, two-stage air compressor 560 cc, 870 l/min
 - **2COMP900** Dual-cylinder air compressor 636 cc, 900 l/min
 - **CLU-AIRC** Air compressor clutch with automatic declutching when not needed, to save fuel
 - **AIRIN-HI** High air inlet
 - **AIRIN-LO** Low air inlet
 - **ACL1ST-S** Air cleaner with extra filter element
 - **24A110BL** Alternator 110 Ampere
 - **24A150BL** Alternator 150 Ampere
 - **24AL110B** Alternator 110 Ampere
 - **24AL150B** Alternator 150 Ampere
 - **CCV-C** Closed crankcase ventilation
 - **CCV-O** Open crankcase ventilation
 - **PRIM-EL** Electrical priming pump for removal of air in the fuel system
 - **FUEQ-EH** Fuel line electric heater
 - **AF-E** Electrically heated fuel filter
 - **AF-R** Hot fuel recirculation heated fuel filter
 - **FUEFE2LW** Large engine-mounted dual fuel filter with water separator and drain
 - **FUEFE2SW** Small engine-mounted dual fuel filter with water separator and drain (for good fuel quality)
 - **EST-AID** Engine intake air heater
 - **220EBH15** Engine block heater, 220 V, 1.5 kW
 - **PTER-100** Rear engine, clutch-independent PTO, flange connection, DIN 100/ISO 7646
 - **PTER-DIN** Rear engine, clutch-ind. PTO, splined shaft groove (fem), close-coupled pump DIN 5462/ISO7653
 - **HPE-F101** Engine-mounted hydraulic pump F1-101, fixed displacement, single flow
 - **HPE-F41** Engine-mounted hydraulic pump F1-41, fixed displacement, single flow
 - **HPE-F51** Engine-mounted hydraulic pump F1-51, fixed displacement, single flow
 - **HPE-F61** Engine-mounted hydraulic pump F1-61, fixed displacement, single flow
 - **HPE-F81** Engine-mounted hydraulic pump F1-81, fixed displacement, single flow
 - **HPE-T53** Engine-mounted hydraulic pump F2-53/53, fixed displacement, twin flow
 - **HPE-T70** Engine-mounted hydraulic pump F2-70/35, fixed displacement, twin flow
 - **HPE-V45** Engine-mounted hydraulic pump VP1-45, variable displacement, single flow
 - **HPE-V75** Engine-mounted hydraulic pump VP1-75, variable displacement, single flow
 - **PTPT-D** Gearbox PTO, 1 front/upper connection DIN 5462/ISO 7653 for plug-in pump, 850 Nm
 - **PTPT-F** Gearbox PTO, 1 front/upper rear flange connection SAE 1410/ISO 7647 for propshaft, 850 Nm
 - **PTR-D** Gearbox low-speed PTO, 1 rear connection DIN 5462/ISO 7653 for plug-in pump, 1000 Nm
 - **PTR-DH** Gearbox high-speed PTO, 1 rear connection DIN 5462/ISO 7653 for plug-in pump, 600 Nm
 - **PTR-DM** Gearbox medium-speed PTO, 1 rear connection DIN 5462/ISO 7653 for plug-in pump, 600 Nm
 - **PTR-F** Gearbox low-speed PTO, 1 rear flange connection SAE 1410/ISO 7647 for propshaft, 1000 Nm
 - **PTR-FH** Gearbox high-speed PTO, 1 rear flange connection SAE 1310/ISO 7647 for propshaft, 600 Nm
 - **PTR-FL** Gearbox low-speed PTO, 1 rear flange connection SAE 1310/ISO 7647 for propshaft, 600 Nm
 - **PTRD-D** Gearbox high-speed PTO, 1 rear + 1 front DIN 5462/ISO 7653 for plug-in pumps, 870 Nm
 - **PTRD-D1** Gearbox high-speed PTO, 1 rear SAE 1410/ISO 7647, 1 front DIN5462/ISO7653, 870 Nm
 - **PTRD-D2** Gearbox PTO, 2 rear hi/lo-speed SAE1310/1410/ISO7647, 1 front hi-speed DIN5462/ISO7653, 870/1000 Nm
 - **PTRD-F** Gearbox high-speed PTO, 1 rear flange connection SAE 1410/ISO 7647 for propshaft, 870 Nm
 - **HPG-F81** Gearbox-mounted hydraulic pump F1-81, fixed displacement, single flow
- Cab Interior, Driving**
- **STWPOS-L** Left-hand drive
 - **STWM-LE** Steering wheel material leather
 - **STGW-AD2** Manually adjustable steering wheel with neck tilt
 - **STGW-ADJ** Manually adjustable steering wheel
 - **AIRBAG** Airbag on driver's side
 - **DRC-AMII** Regeneration control for DPF, initiation: automatic or manual, inhibition: manual
 - **1DAYB** One-day analogue tachograph, basic
 - **TAC-PK2** Preparation kit for tachograph
 - **ARSL** Additional road speed limiter control (switch in dashboard)
 - **ESP-BAS1** ESP for tractor combinations with ABS/EBS or rigid vehicles/combinations with std center of gravity

■ Standard Equipment □ Optional Equipment

For more detailed information about cab and powertrain equipment, please refer to separate specification sheets.

For all possible options and combinations of options please consult your Volvo sales contact who can create a specification to match your requirements using the Volvo Sales Support system (VSS).

The factory reserves the right to modify design and change equipment without previous notification. The specification can vary from country to country.

MODEL RANGE

FM D11 64 Rigid Diesel Rear Air FM 64R 1A

<input type="checkbox"/> ESPC-RO	Electronic stability program functionality control, switch - On/Reduced/Off	<input checked="" type="checkbox"/> LBK70	Lower fixed bed 2000x700 mm, non-foldable, safety net included
<input checked="" type="checkbox"/> HWSS-ACB	Adaptive cruise control with forward collision warning (stationary and moving objects) and emergency braking. Using both radar and camera to collect info.	<input checked="" type="checkbox"/> MATL-FI	Mattress lower bed firm, pocket springs, recommended for body weight over 100 kg
<input type="checkbox"/> HWSS-FCB	Collision Warning with Emergency Brake (forward)	<input type="checkbox"/> MATL-SF	Mattress lower bed semi-firm, pocket springs, recommended for body weight up to 100 kg
<input checked="" type="checkbox"/> LSS-DW	Lane Keeping Support - lane departure warning	<input type="checkbox"/> OLMAT-BA	Overlay mattress, 28 mm thick black textile
<input type="checkbox"/> LSS-DW3	Pilot Assist - active, continuous lane keeping	<input type="checkbox"/> OLMAT-PR	Overlay mattress Premium, 35 mm thick black textile
<input type="checkbox"/> LCS2	Side Collision Avoidance Support, passenger side collision warning (sound and visual information), passenger side	<input type="checkbox"/> TBK60F	Fixed top bed 600x1900 mm, foldable up to 52° (depending on cab & upper storage), net included
<input checked="" type="checkbox"/> LCS4	Side Collision Avoidance Support, side collision warning, both sides	<input type="checkbox"/> TBK70F	Fixed top bed 700x1900 mm, foldable up to 52° (depending on cab & upper storage), net included
<input checked="" type="checkbox"/> DAS-W	Driver Alert Support	<input checked="" type="checkbox"/> PH-CAB2	Cab parking heater, 2 kW
<input checked="" type="checkbox"/> RSSENS-W	Wipers rain sensor	<input type="checkbox"/> PH-ENGCA	Engine and cab parking heater
<input checked="" type="checkbox"/> CU-ECC	Automatic climate control with sun sensor	<input type="checkbox"/> PH-SS	Short stop cab heater
<input type="checkbox"/> CU-ECC2	Automatic climate control with sun sensor, humidity sensor, air quality sensor and carbon filter	<input checked="" type="checkbox"/> SLCP-BAS	Basic sleeper control panel (interior light, parking heater, roof hatch, door locks)
<input type="checkbox"/> CU-MCC	Manual climate control (heater/cooler function)	<input type="checkbox"/> ETSB-FRS	Storage at front of engine tunnel and immersed in RH side of tunnel
<input checked="" type="checkbox"/> IGT-BUT	Push button ignition	<input checked="" type="checkbox"/> ETSB-FS	Storage at back of engine tunnel, at back against rear cab wall and immersed in RH side of tunnel
<input checked="" type="checkbox"/> IMMOBIL	Immobiliser	<input type="checkbox"/> ETSB-S	Storage immersed in RH side of engine tunnel
<input type="checkbox"/> ALARM-E	Anti-theft alarm for cab, superstructure and trailer	<input checked="" type="checkbox"/> RUS-BAS	Storage in rear upper cab, 154 litres (300 mm high)
<input type="checkbox"/> PHONE-PK		<input type="checkbox"/> RUS-HIG	Storage in rear upper cab, 245 litres (440 mm high)
<input type="checkbox"/> ISUNS-BS	Side interior roller blind on both sides, manually manoeuvred	<input type="checkbox"/> REF-ICPK	Preparation kit for refrigerator
<input checked="" type="checkbox"/> ISUNS-DS	Side interior roller blind on driver's side, manually manoeuvred	<input type="checkbox"/> REFR-RUS	Refrigerator 28-litre, with dividers, on rear upper wall
<input checked="" type="checkbox"/> ISUNF-RE	Interior roller blind, integrated in front shelf, electrically manoeuvred	<input type="checkbox"/> MICRO-PK	Preparation kit for microwave oven (electrical cables to front shelf)
<input type="checkbox"/> ISUNF-RM	Interior roller blind, integrated in front shelf, manually manoeuvred	<input checked="" type="checkbox"/> BOTH-D	One bottle holder under dashboard centre section
<input type="checkbox"/> ADFS	Two extra DIN slots in front shelf, 165x40x180 mm (W x H x D)	<input type="checkbox"/> COFMA-PK	Preparation kit (24 V) for coffee maker
<input checked="" type="checkbox"/> BUPALARM	Reversing warning	<input checked="" type="checkbox"/> INLI-BAS	Interior white light with smooth light transition at on/off, no dimming
<input type="checkbox"/> LOADIND	Load indicator, shown in instrument display and side display	<input type="checkbox"/> INLI-NL	Interior white and red (night) light with smooth light transition at on/off
<input type="checkbox"/> REMC-MF	Wireless remote control, multi-functional	<input type="checkbox"/> INLI-NLD	Interior white and red (night) light with smooth light transition at on/off and dimmer
<input checked="" type="checkbox"/> FIREXT3S	Fire extinguisher 3 kg, Swedish/English decal	<input type="checkbox"/> ARL-FLEX	Two (driver and passenger side) LED reading lamps with flexible arms, mounted on sidewalls
<input type="checkbox"/> WARNVEST	Reflective vest, fulfils European standard EN 471 class 2	<input type="checkbox"/> RH-EE	Roof skylight/emergency exit, tinted glass (not a hatch)
<input checked="" type="checkbox"/> WARNTRI2	Two warning triangles	<input type="checkbox"/> RH-ER	Roof hatch, electrically operated, steel, with emergency exit handle
<input checked="" type="checkbox"/> AIDKIT	First aid kit containing sticking plaster, washing and drying pads, compresses, elastic bandages, respiratory mask, gloves and scissors.	<input checked="" type="checkbox"/> RH-ETR	Roof hatch, electrically operated, tinted glass, rear opening 50 mm
<input checked="" type="checkbox"/> WRITEPAD	Writing pad with paper clamp	<input type="checkbox"/> RH-MTR	Roof hatch, manually operated, tinted glass, rear opening 50 mm
Cab Interior, Living			
<input checked="" type="checkbox"/> DST-CF6	Driver's seat Comfort, belt in seat, heated, ventilated	<input checked="" type="checkbox"/> GLAS-TIN	Tinted windows
<input type="checkbox"/> SBD-RED	Red safety belts, passenger and driver seats	<input checked="" type="checkbox"/> SWIND-BS	Rear side window on both sides
<input type="checkbox"/> SBPRE-DS	Driver's seat belt pretensioner	<input type="checkbox"/> SWIND-PS	Rear side window on passenger side
<input type="checkbox"/> PST-BAS1	Passenger seat Basic, non-suspended	<input checked="" type="checkbox"/> AWIND-RF	Fixed window in back of cab (without curtains)
<input type="checkbox"/> PST-CF4	Passenger seat Comfort, suspended, belt in seat	<input type="checkbox"/> VANMIR	Vanity mirror in front shelf lid
<input type="checkbox"/> PST-CF5	Passenger seat Comfort, suspended, belt in seat, electrically heated	<input type="checkbox"/> AS-FUS	One extra shelf in each of the two front upper storage compartments
<input checked="" type="checkbox"/> PST-STD2	Passenger seat Regular, non-suspended	<input type="checkbox"/> INFOT-PK	Preparation kit (bracket, security straps, and antenna cable) for mounting of TV above driver door
<input type="checkbox"/> PST-STD4	Passenger seat Regular, suspended	Cab exterior	
<input type="checkbox"/> SBPRE-PS	Passenger seat belt pretensioner	<input checked="" type="checkbox"/> EXTL-BA2	Exterior trim level basic 2
<input type="checkbox"/> ARMRE-BB	Two armrests on both driver's and passenger seats	<input type="checkbox"/> EXTL-BAS	Exterior trim level basic
<input checked="" type="checkbox"/> ARMRE-DB	Two armrests on driver's seat	<input checked="" type="checkbox"/> DGLAS-H	Tempered door window glass
<input type="checkbox"/> ARMRE-PB	Two armrests on passenger seat	<input type="checkbox"/> DGLAS-L	Laminated window glass in doors. The glass can crack, but retains its protective effect. It also provides better sound insulation.
<input checked="" type="checkbox"/> ARU-BAS	Vinyl armrest upholstery		
<input type="checkbox"/> ARU-LEA	Leather armrest upholstery		
<input checked="" type="checkbox"/> FMAT-RUB	Black rubber floor mats		
<input type="checkbox"/> FMAT-TX2	Two textile (dark grey on FH/FM/FMX, black on FH16) and two black rubber floor mats		

Standard Equipment Optional Equipment

For more detailed information about cab and powertrain equipment, please refer to separate specification sheets.

For all possible options and combinations of options please consult your Volvo sales contact who can create a specification to match your requirements using the Volvo Sales Support system (VSS).

The factory reserves the right to modify design and change equipment without previous notification. The specification can vary from country to country.

MODEL RANGE

FM D11 64 Rigid Diesel Rear Air FM 64R 1A

<input type="checkbox"/> BUMP-B	Plastic front bumper	<input type="checkbox"/> ACCBR-R	Accessory brackets mounted on mid-roof and rear roof
<input checked="" type="checkbox"/> BUMP-B2	Steel front bumper	<input type="checkbox"/> ACCBR-RM	Accessory bracket mounted on rear roof
<input type="checkbox"/> BUMP-SP	Front bumper spoiler	Superstructure preparations	
<input checked="" type="checkbox"/> GUARD-EH	Guard plate for cooling pipes and oil sump	<input type="checkbox"/> CROSSRE	Cross reinforcement of frame for swap body
<input checked="" type="checkbox"/> BUGNET	Insect screen (PVC-coated fibreglass) in front of radiator	<input checked="" type="checkbox"/> SRWL-PK	Preparation kit for LED reverse/work lamps at rear chassis, 3-pos switch (On/Off/Reverse auto On)
<input checked="" type="checkbox"/> CTILTP-E	Electric cab tilt pump	<input type="checkbox"/> SWL-2FW	2 white LED work lamps at front of chassis, and a 2-position switch (On/Off)
<input type="checkbox"/> CTILTP-M	Manual cab tilt pump	<input type="checkbox"/> SWL-2RW	2 white LED work lamps, rearward-facing on rear chassis (LH/RH side)
<input checked="" type="checkbox"/> FCABS-A	Air front cab suspension	<input type="checkbox"/> SWL-4W	4 white LED work lamps on chassis (2 front, 2 rear) and a flexible switch (On/Off)
<input type="checkbox"/> FCABS-M	Mechanical front cab suspension	<input type="checkbox"/> SWL-PK	Preparation kit for LED work lamps on chassis, with a 2-pos switch (On/Off)
<input checked="" type="checkbox"/> RCABS-A	Air rear cab suspension	<input type="checkbox"/> WL-CHPK	Preparation kit for work lamp (switch with cable to frame, by gearbox)
<input type="checkbox"/> RCABS-M	Mechanical rear cab suspension	<input type="checkbox"/> WLC-H2A	
<input checked="" type="checkbox"/> MIRCFPCS	Rear-view and wide-angle mirrors (both sides), passenger corner camera (FM, FH)	<input type="checkbox"/> WLC-H2W	2 white LED work lamps, high-mounted on back of cab (switch included)
<input type="checkbox"/> MIRCMCP	Camera Monitor System and passenger corner camera	<input type="checkbox"/> WLC-PKCH	Preparation kit (cables and switch) for work lamp inside or outside superstructure
<input type="checkbox"/> MIRCMS	Camera Monitor System	<input type="checkbox"/> WLC-PKH	Preparation kit (cables and switch) for high-mounted work lamps on back of cab
<input checked="" type="checkbox"/> AMIR-F20	Front close-view mirror above windscreen, passenger side (radius 200 mm)	<input type="checkbox"/> WLC-PKL	Preparation kit (cables and switch) for low-mounted work lamps on back of cab
<input checked="" type="checkbox"/> SUNV-H	Exterior front sun visor, transparent dark-grey	<input checked="" type="checkbox"/> WLC-PKLH	Preparation kit (cables and switch) for low- and high-mounted work lamps on back of cab
<input type="checkbox"/> AD-ROOF	Roof air deflector	<input type="checkbox"/> ECBB-BAS	Body builder electrical centre, prepared for body builder module
<input type="checkbox"/> AD-SIDES	Cab side air deflectors, short	<input type="checkbox"/> ECBB-HIG	Body builder electrical centre, body builder module with 14 high and 4 low digital outlets
<input type="checkbox"/> HL-BASIC	Halogen H7 headlamps	<input checked="" type="checkbox"/> ECBB-MED	Body builder electrical centre, body builder module with 7 high and 4 low digital outlets
<input checked="" type="checkbox"/> HL-LED	LED headlamps	<input checked="" type="checkbox"/> BBCHAS1	One 7-pole bodywork connector on chassis
<input type="checkbox"/> HBDA-A	Automatic main beam deactivation and reactivation	<input type="checkbox"/> BBCHAS3	Three 7-pole bodywork connectors on chassis
<input checked="" type="checkbox"/> HL-CLEAN	High-pressure headlamp cleaner	<input type="checkbox"/> BEPR-T2	Bodywork electrical and software preparation for tipper with remote control
<input type="checkbox"/> HLP-ST	Steel headlamp protectors (steel and plastic for FMX)	<input type="checkbox"/> EXSTER	Support for external steering control via body builder module
<input type="checkbox"/> HL-ADJ	Manually adjustable headlamp beam	<input type="checkbox"/> TD-LED	TD-LED detects trailers that have either bulb lights or LED lights. Continuous monitoring of the trailer connection status allows optimization of gear shifting and systems like Electronic Stability Program (ESP). Full diagnostics are available for bulb lights, while for LED lights the system cannot identify an "open circuit".
<input checked="" type="checkbox"/> DRL-LED	Daytime running lamps (LED)	<input type="checkbox"/> FRFS-BS	Frame rail free space on both sides to give space for crane legs or other equipment
<input type="checkbox"/> UDRL	Without daytime running lamps (LED)	<input checked="" type="checkbox"/> FBA-BTF	Front body attachment brackets, lower, for flexible body
<input type="checkbox"/> DRIVL2	Extra main beam	<input type="checkbox"/> FBA-BTSF	Front body attachment brackets, lower, for semi-flexible body
<input checked="" type="checkbox"/> UDRIVL	Without extra main beam	<input checked="" type="checkbox"/> HBA-FSFB	Holes for body attachments, flexible/semi-flexible body
<input checked="" type="checkbox"/> FOGL-WC	White front fog lamps	<input type="checkbox"/> HBA-SB	Holes for body attachments, stiff body
<input checked="" type="checkbox"/> CL-STAT	Static cornering lights	<input checked="" type="checkbox"/> RBA-T2	Rear body attachment brackets, lower
<input type="checkbox"/> ASL-RF2	Two LED spot lamps in sign box	<input type="checkbox"/> CRANEPK1	Frame-mounted crane interface plates, up to 10 tonne-metres
<input type="checkbox"/> IDLAMP-A	Three amber identification lamps on mid front roof	<input type="checkbox"/> CRANEPK2	Frame-mounted crane interface plates, up to 20 tonne-metres
<input type="checkbox"/> IDLAMP-W	Three white identification lamps on mid front roof	<input type="checkbox"/> CRANEPK4	Frame-mounted crane interface plates, up to 40 tonne-metres
<input type="checkbox"/> IDLMPSW	Switch in cab for identification lamps	<input type="checkbox"/> AUXL-SPK	Preparation kit (wiring and a switch in dashboard) for snow plough lamps
<input type="checkbox"/> BEACOA2F	Two amber LED beacons on cab front roof	<input type="checkbox"/> TAILPRE2	Tail lift preparation kit, wireless remote operation
<input type="checkbox"/> BEACOA2R	Two amber LED beacons on cab rear roof	<input type="checkbox"/> TAILPREP	Tail lift preparation kit
<input type="checkbox"/> BEACON-P	Preparation kit for roof beacons	<input checked="" type="checkbox"/> AESW2	2 bistable bodywork switches (marked AUX1/AUX2)
<input type="checkbox"/> BEACONA4	Four amber LED beacons on roof - two on front, two on rear	<input type="checkbox"/> AESW2PK	2 bistable bodywork switches (marked AUX1/AUX2) + prepared for 4 bistable switches (dummy switches)
<input checked="" type="checkbox"/> CABPT-R1	One front cab roof pass-through on passenger side	<input checked="" type="checkbox"/> AUXSW-4	Hardwiring for 4 extra switches (from body builder electrical centre to instrument panel)
<input checked="" type="checkbox"/> CABPT-R2	Two front cab roof pass-throughs, one on each side	Services	
<input type="checkbox"/> SPOTP-F	Preparation kit for spot lamp in cab front, max 280 W		
<input type="checkbox"/> SPOTP-R	Preparation kit for spot lamp in cab roof, max 280 W		
<input type="checkbox"/> SPOTP-RF	Preparation kit for spot lamp in cab roof and front, max 280 W		
<input type="checkbox"/> ROS-IL2	Preparation kit for installation of roof sign illumination		
<input type="checkbox"/> CSGN-GTR	Globetrotter decal in the roof sign box		
<input checked="" type="checkbox"/> HORN-F1S	Single-tone Jericho horn behind grille, operated by steering wheel buttons		
<input checked="" type="checkbox"/> ANT-CBR	Preparation kit for communication/CB radio: roof-mounted single antenna and wiring		
<input type="checkbox"/> ACCBR-AP	Accessory brackets mounted on front roof, midroof and rear roof		
<input type="checkbox"/> ACCBR-F	Accessory bracket mounted on front roof		
<input type="checkbox"/> ACCBR-FM	Accessory brackets mounted on front roof and midroof		
<input type="checkbox"/> ACCBR-FR	Accessory brackets mounted on front and rear roof		
<input type="checkbox"/> ACCBR-M	Accessory bracket mounted on midroof		

Standard Equipment Optional Equipment

For more detailed information about cab and powertrain equipment, please refer to separate specification sheets.

For all possible options and combinations of options please consult your Volvo sales contact who can create a specification to match your requirements using the Volvo Sales Support system (VSS).

The factory reserves the right to modify design and change equipment without previous notification. The specification can vary from country to country.

MODEL RANGE

FM D11 64 Rigid Diesel Rear Air FM 64R 1A

- **TGW-4GWL** Telematics gateway with 4G modem and WLAN
- **TGW-PK** Telematics gateway preparation kit
- **DRUT1** My Truck service/app (remote vehicle status, alerts and control), 1-year prepaid subscription
- **DRUT2** My Truck service/app (remote vehicle status, alerts and control), 2-year prepaid subscription
- **DRUT3** My Truck service/app (remote vehicle status, alerts and control), 3-year prepaid subscription
- **DRUT4** My Truck service/app (remote vehicle status, alerts and control), 4-year prepaid subscription
- **DRUT5** My Truck service/app (remote vehicle status, alerts and control), 5-year prepaid subscription
- **TSRS2** Road sign recognition (not ISA compliant)