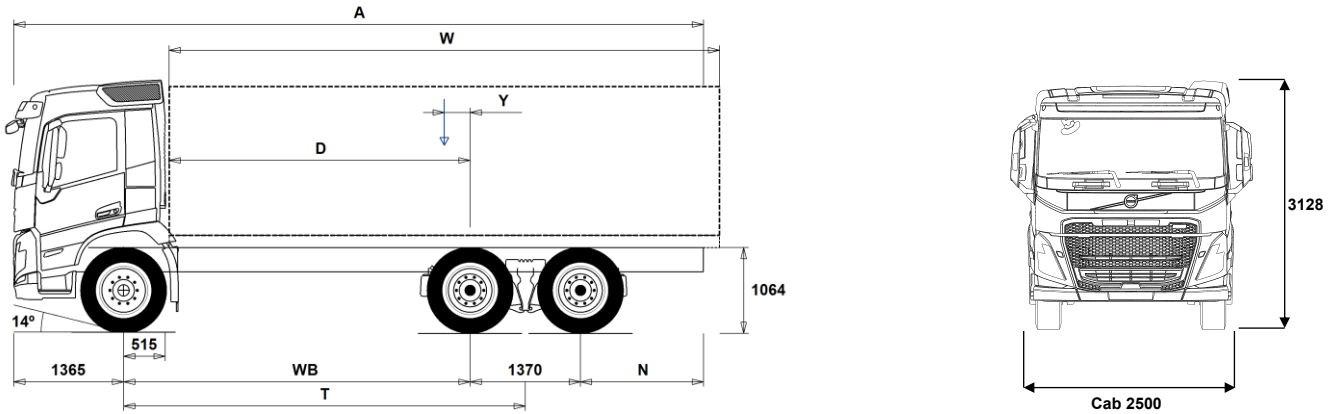


MODEL RANGE

FM11 6x4 Rigid Air Suspension FM 64R 1A



Chassis Dimensions [mm]

WB Wheelbase	3200	3400	3700	3900	4600	4900
A Overall Chassis Length	7710	7310	8460	8760	10560	10310
D Center of rear axle to front of body	2635	2835	3135	3335	4035	4335
N Rear Overhang (Min.)	825	825	825	825	825	825
N Rear Overhang (Max.)	1775	1175	2025	2125	3225	2675
T Theoretical Wheelbase	3885	4085	4385	4585	5285	5585
Y Center of Gravity for Payload (Min.)	-170	-153	-107	-82	14	38
Y Center of Gravity for Payload (Max.)	-170	-153	-107	-82	14	38
W Body Length (Min.)	5610	5971	6451	6771	7891	8371
W Body Length (Max.)	5610	5971	6451	6771	7891	8371

Chassis Weights [kg]

Front Axle	4500	4535	4520	4525	4535	4575
Rear Bogie	3410	3360	3440	3450	3595	3550
Kerb Weight	7910	7895	7960	7975	8130	8125
Payload (including body, driver, fuel, etc.)	15090	15105	15040	15025	14870	14875

Turning Diameter [mm]

Turning Circle Diameter Kerb to Kerb	13900	14500	15500	16100	18200	19100
Turning Circle Diameter Wall to Wall	15300	15900	16900	17500	19600	20500

Plated Weights [kg]

	Plated	Design
Gross Vehicle Weight	23000	28100
Gross Combination Weight	40500	44000
Front Axle	6500	7100
Rear Bogie	16500	21000

Important Notes

Chassis Dimensions

Cab Height: +328 mm for CAB-HSLP, -262 mm for CAB-LDAY, -262 mm for CAB-LSLP, +16 mm for CAB-SLP.
 Front Axle to Back of Cab: +431 mm for CAB-HSLP and CAB-SLP, -69 mm for CAB-LDAY, +425 mm for CAB-LSLP.
 D-measure includes a front clearance of 50 mm and for rigid trucks also a subframe of 100 mm.
 Height can vary ± 20 mm for leaf and ± 10 mm for air suspension.
 All dimensions are for unladen chassis and any tag axles down. Chassis height used: CHH-HIGH.
 Rear overhang used for vehicle weight calculation is the maximum rear overhang (N Max.) for selected wheelbase.
 Height change when chassis height CHH-MED,FRAME300: 0 mm.

Weight and dimensions are based upon the following tyres:
 Front Axle Tyres: 315/80R22.5
 Drive Axle Tyres: 315/80R22.5

Chassis weight includes oil, water, AdBlue, 0 litres fuel and without driver. Kerb weight can vary ± 3%.

Turning diameters are theoretically calculated.

Legal weights can differ from country to country.

For more detailed weight information, including optional equipment weights, ask your Volvo sales contact to enter your specification into the Volvo Weight Information system (WIS).

Do NOT use this drawing for bodybuilding. Refer to Volvo Bodybuilder Instructions and chassis assembly drawing FM64R1A.

MODEL RANGE

FM11 6x4 Rigid Air Suspension FM 64R 1A

Truck use

- RC-ROUGH** Operating class on/off road
- RC-SMOOTH** Well Maintained Surfaced Roads >95% Driving Distance
- TIPP-PRE** Tipper preparation
- UNIFORM** Basic uniform vehicle

Core components

- CHH-HIGH** Chassis Height High approx. 1025-1050mm (depending on tyre selection)
- CHH-MED** Approximate chassis height 900 mm
- FM-DAY6** Day Cab
- FM-HSLP6** Globetrotter Cab
- FM-LDAY6** Low Day Cab
- FM-LSLP6** Low Sleeper Cab
- FM-SLP6** Sleeper Cab
- EU6SCR** Eu6 SCR (Particulate Filter & EGR) Single Stage Turbo
- D11S380A** Eu6 Fuelface 11 litre 380hp Engine
- D11S430A** Eu6 Fuelface 11 litre 430hp Engine
- D11S460A** Eu6 Fuelface 11 litre 460hp Engine
- D11K380** Eu6 11 litre Engine 380hp/1800nm/280kW
- D11K430** Eu6 11 litre Engine 430hp/2050nm/317kW
- D11K460** Eu6 11 litre Engine 460hp/2200nm/339kW
- EBR-VEB** Volvo Engine Brake (VEB)
- AT2612** Volvo I-shift 12 Speed Automatic Transmission (2600nm)
- RTS2370B** Single Reduction Tandem 23t GCW70t

Packages

- INFOHIGH** High Level Information Platform

Chassis

- FST-AIR** Air Bag Front Suspension
- FST-PAR** Parabolic leaf spring front suspension
- FST-PAR3** 3 Leaf Parabolic Front Springs (stiffer than normal)
- FSL5-BAS** Front Suspension Levelling Stroke - Standard
- FAL6.5** Front Axle Load 6.5 tonnes
- FAL7.1** Front axle load 7.1 tonnes
- FAL7.5** Front Axle Load 7.5 tonnes
- FSTAB** Front stabilizer, normal stiffness
- FSTAB2** Front stabiliser bar increased stiffness
- FSTAB3** Heavy duty front stabiliser bar
- RAL21** Rear suspension load rating: 21,000 kg
- RSTAB3** Heavy duty rear stabiliser bar
- ACTST-TO** Volvo Dynamic Steering
- ASFE-PO** Dynamic Steering Active Features - Personal Settings & Oversteer Guidance
- ASFE-PS** Dynamic Steering Active Features - Personal Settings
- PSP-VAR2** Power Steering Pump with Electronic Control Variable Displacement
- EBS-MED** Electronic Brake System (EBS) contains ABS, Traction control, Hill start aid Diff lock control, Brake assist Wheel brake monitoring, EBS status
- AUXPARK** Auxiliary parking brake
- FST7070** Frame Section Thickness 7mm
- FST8080** Frame Section Thickness 8mm
- FIL-FBEB** Liner (inner) - front of bogie to end of bogie
- FIL-TXEB** Liner (inner) - trans x-mem to end of bogie
- BBOX-L** Battery box mounted on LHS chassis rail
- 2BATT225** 2x225 Ah batteries
- BATTAMP** Battery Amperage Indicator (in the DID)
- MSWI-C** Isolation Toggle Switch LHS of Chassis

- MSWI-R** Isolation Switch on Key Fob (Press Door Lock Twice to Isolate)
- R345A71** RHS 345 litre Alloy Fuel Tank
Min volume 345l
Max volume 465l
- UL-FUEL** LHS fuel tank not fitted
Min volume 195l
Max volume 195l
- ADTP-L** AdBlue Tank Position - LHS
- ADB064** AdBlue Tank 64 litres
- ADB090** AdBlue Tank 90 litres
- ADTC-BF** AdBlue Tank Cover - Bright Finish
- FCAP-L** Fuel tank cap with lock
- ESH-REAR** Low Mounted Muffler with Low Rear Facing Outlet
- ESH-RIGH** Muffler horizontal, right exhaust outlet
- ESH-VERT** Muffler horizontal, vertical exhaust outlet on right hand side
- EXST-SSP** Stainless Steel Exhaust Stack
- TRBR-HCR** Hand controlled trailer brake, reduced pressure
- TRBR-STA** Stationary Trailer Brake Control
- TRB-STRE** Automatic Trailer Brake Activation (Stretch Brake)
- TL-LED** LED Tail Lights
- BLIGHT-E** Emergency Brake Lights

Rims and Tyres

- RT-AL** 10 Stud Alloy Disc Rims (with long wheel studs)
- RT-AL1**
- RT-AL1DU**
- RT-ALDP** 10 Stud Dura-Bright Alloy Disc Rims (with long wheel studs)
- RT-ALDPD** 10 Stud Dura-Bright Alloy Disc Rims (with short wheel studs)
- RT-ALDU** 10 Stud Alloy Disc Rims (with short wheel studs)
- RT-ALP** 10 Stud Polished Alloy Disc Rims (with long wheel studs)
- RT-ALPDU** 10 Stud Polished Alloy Disc Rims (with short wheel studs)
- RT-STEEL** 10 Stud Steel Disc Rims
- SPWT-D** Spare rim & tyre equal to drive
- SPWT-F** Spare rim & tyre equal to steer
- SWCP-T2** Transport Mounted Spare Wheel
- JACK-12T** 12 tonne capacity jack with brace
- JACK-15T** 15 tonne capacity jack and brace
- TOOL-BAS** Basic tools
- TOOLKIT** Tool kit complete
- INFLAHOS** Tyre inflation hose (18 metres)

Powertrain equipment

- DRM-BE** Drive Mode - Balanced & Economy
- DRM-E** Drive Mode - Economy
- PVT-MAP** Preview Topography Information (High Resolution Topography Map)
- CRUIS-E** Extended Cruise Control (Additional Fuel Saving Functions)
- AMSO-AUT** Manual gear shift in automatic mode.
- AVO-ENH** AMT Vocational option - enhanced
- APF-ENH** Enhanced I-shift PTO functions
- TC-MAOH2** High performance transmission cooler
- 2COM1100** Air Compressor - 1100 litres/minute
- 2COMP870** Air Compressor - 870 litres/minute
- AIRIN-HI** High air intake, roofline position
- AIRIN-LO** Low air intake, rear of cab position
- ACL1ST-S** Air cleaner with two stage filter element
- 24A110BL** Alternator - 110 Amp
- 24A150BL** Alternator - 150 Amp
- PTER-100** PTO Engine Rear Mounted with Flange DIN100/ISO7646

Standard Equipment Optional Equipment

For more detailed information about cab and powertrain equipment, please refer to separate specification sheets.

For all possible options and combinations of options please consult your Volvo sales contact who can create a specification to match your requirements using the Volvo Sales Support system (VSS).

The factory reserves the right to modify design and change equipment without previous notification. The specification can vary from country to country.

MODEL RANGE

FM11 6x4 Rigid Air Suspension FM 64R 1A

<input type="checkbox"/> PTER-DIN	Power Take Off / splined shaft groove (female) DIN5462.	<input checked="" type="checkbox"/> ARMRE-DB	Armrests both sides - driver's seat
<input type="checkbox"/> PTER1400	Rear engine mounted power-take-off with flange SAE 1410	<input checked="" type="checkbox"/> ARU-BAS	Seat armrest upholstery - basic
<input type="checkbox"/> HPE-F101	F1-101 Hydraulic pump rear engine mounted	<input checked="" type="checkbox"/> FMAT-RUB	Floor Mats - Rubber
<input type="checkbox"/> HPE-F41	F1-41 Hydraulic pump rear engine mounted	<input type="checkbox"/> FMAT-TX2	Floor Mats - Textile & Rubber
<input type="checkbox"/> HPE-F51	F1-51 Hydraulic pump rear engine mounted	<input type="checkbox"/> LBK70	Lower Bunk 700mm Wide
<input type="checkbox"/> HPE-F61	F1-61 Hydraulic pump rear engine mounted	<input type="checkbox"/> MATL-FI	Spring Mattress Lower Bunk - Firm (100kg +)
<input type="checkbox"/> HPE-F81	F1-81 Hydraulic pump rear engine mounted	<input type="checkbox"/> MATL-SF	Mattress lower bunk - semi firm
<input type="checkbox"/> HPE-T53	F2-53/53 twin flow hyd pump rear engine mounted	<input type="checkbox"/> OLMAT-BA	Mattress overlay - basic
<input type="checkbox"/> HPE-T70	F2-70/53 twin flow hyd pump rear engine mounted	<input type="checkbox"/> TBK70F	Top Bunk 700mm Wide - Foldable
<input type="checkbox"/> HPE-V45	V1-45 variable pump rear engine mounted	<input type="checkbox"/> SAFE	Safe box at bed-end
<input type="checkbox"/> HPE-V75	V1-75 variable pump rear engine mounted	<input type="checkbox"/> ETSB-F	Engine Tunnel Storage Box
<input type="checkbox"/> PTR-D	Low speed PTO with DIN connection	<input type="checkbox"/> ETSB-FR	Storage Box - Engine Tunnel & Rear Cab Wall
<input type="checkbox"/> PTR-DH	High speed PTO with DIN connection	<input type="checkbox"/> ETSB-R	Rear Cab Wall Storage
<input type="checkbox"/> PTR-DM	Medium speed PTO with DIN connection	<input type="checkbox"/> RUS-BAS	Rear Upper Cab Storage - 154 Litres for Sleeper/Globetrotter & 60 Litres for Day Cab
<input type="checkbox"/> PTR-F	PTO Flange Connection - 100% speed	<input type="checkbox"/> RUS-HIG	Rear Upper Cab Storage - 245 Litres
<input type="checkbox"/> PTR-FH	High speed PTO with flange connection	<input type="checkbox"/> TABLE	Table
<input type="checkbox"/> PTR-LD	Low speed PTO with flange connection	<input type="checkbox"/> REF-ICPK	Refrigerator Preparation Kit on Engine Tunnel
<input type="checkbox"/> PTRD-F	PTO with 2 DIN connections rear + 1 DIN connection front	<input type="checkbox"/> REFR-RUS	28 Litre Refrigerator in Upper Rear Storage
<input type="checkbox"/> PTRD-F	PTO with 1 DIN + 1 flange connection rear	<input type="checkbox"/> MICRO-PK	Preparation Kit for Microwave
<input type="checkbox"/> HPG-F101	F1-101 hydraulic pump gearbox mounted	<input type="checkbox"/> BOTH-D	Bottle Holder in Driving Area
<input type="checkbox"/> HPG-F41	F1-41 hydraulic pump gearbox mounted	<input checked="" type="checkbox"/> INLI-BAS	Interior night lights
<input type="checkbox"/> HPG-F61	F1-61 hydraulic pump gearbox mounted	<input type="checkbox"/> INLI-NL	Interior White & Red (night) Light
<input type="checkbox"/> HPG-F81	F1-81 hydraulic pump gearbox mounted	<input type="checkbox"/> INLI-NLD	Interior light including night light and dimmer function
<input type="checkbox"/> DRC-AMII	DPF Regeneration- Auto Initialise/Manual on Demand/Manual Inhibit	<input type="checkbox"/> ARL-FLEX	Flexible Reading Lamp (Snake Light)
<input checked="" type="checkbox"/> DRC-AUTO	DPF Regeneration- Fully Automatic (in motion)	<input type="checkbox"/> RH-ER	Roof Hatch - Electric (Metal Emergency Exit)
<input checked="" type="checkbox"/> ESP-BAS1	ESP Package (Tractor/Trailer Combinations with ABS/EBS Or Rigid with Standard COG)	<input checked="" type="checkbox"/> RH-MTR	Roof Hatch - Manual (Tinted Glass & Rear Opening)
<input checked="" type="checkbox"/> HWSS-ACB	ACC & forward collision warning & emergency braking.	<input type="checkbox"/> SWIND-PS	Cab Passenger Side Aux. Window
<input checked="" type="checkbox"/> LSS-DW	With lane departure system	<input checked="" type="checkbox"/> AWIND-RF	Cab Rear Window- Fitted
<input type="checkbox"/> LSS-DW3	Pilot Assist - Active Continuous Lane Keeping	<input type="checkbox"/> VANMIR	Vanity Mirror
<input checked="" type="checkbox"/> LCS2	Lane Change Support with Side Collision Avoidance (LHS)	<input type="checkbox"/> AS-FUS	Auxiliary Shelf - Front Upper Storage
<input checked="" type="checkbox"/> DAS-W	Driver alert support warning	<input type="checkbox"/> INFOT-PK	LCD screen mount - 6kgs max
<input type="checkbox"/> RSSENS-W	Rain sensor to activate wipers	Cab exterior	
<input type="checkbox"/> CU-ECC	Climate controlled air conditioning	<input type="checkbox"/> EXTL-BA2	Standard Exterior Trim Level 2
<input checked="" type="checkbox"/> CU-MCC	Manual controlled air conditioning	<input checked="" type="checkbox"/> EXTL-BAS	Standard exterior trim level
<input type="checkbox"/> IGT-BUT	Ignition Type - Push Button	<input checked="" type="checkbox"/> DGLAS-H	Hardened Door Glass
<input type="checkbox"/> IMMOBIL	Engine Immobiliser	<input type="checkbox"/> DGLAS-L	Laminated Door Glass
<input type="checkbox"/> ALARM-B	Anti-theft alarm (cab)	<input checked="" type="checkbox"/> BUMP-B	Bumper - Plastic
<input checked="" type="checkbox"/> ISUNS-DS	Interior Side Sunvisor - Driver's Door	<input checked="" type="checkbox"/> BUMP-B2	Bumper - Steel
<input type="checkbox"/> ISUNF-B	Interior front sunvisor - standard	<input type="checkbox"/> WILDBAR	Wildbar
<input type="checkbox"/> ISUNF-MD	Interior front sunvisor - with mirror (driver's side)	<input type="checkbox"/> BUMP-SP	Bumper spoiler
<input type="checkbox"/> ISUNF-RE	Windscreen Interior Sunvisor - Electric	<input checked="" type="checkbox"/> BUGNET	Insect Net in Front of Radiator
<input checked="" type="checkbox"/> ISUNF-RM	Windscreen Interior Sunvisor - Manual	<input checked="" type="checkbox"/> CTILT-P-E	Electrical cab tilt pump
<input type="checkbox"/> ADFS	2 Din Slots in Front Shelf	<input type="checkbox"/> FCABS-A	Front Cab Suspension - Air Bellows
<input checked="" type="checkbox"/> BUPALARM	Reverse alarm	<input checked="" type="checkbox"/> FCABS-M	Front Cab Suspension - Mechanical Spring
<input type="checkbox"/> LOADIND	Load indicator, electronic controlled suspension (SUSPL-EC)	<input type="checkbox"/> RCABS-A	Rear Cab Suspension - Air Bellows
<input type="checkbox"/> REMC-MF	Multifunction Wireless Remote Control	<input checked="" type="checkbox"/> RCABS-M	Rear Cab Suspension - Mechanical Spring
<input checked="" type="checkbox"/> FIREX25A	Fire Extinguisher - 2.5 kg	<input type="checkbox"/> MIRCMS	Camera Monitor System - Without Exterior Mirrors
<input checked="" type="checkbox"/> WRITEPAD	Storable steering wheel fit clip board	<input checked="" type="checkbox"/> MIRFLACP	Electrically Heated & Operated Flat Glass Mirrors with Front Monitoring Camera on Passenger Side
<input checked="" type="checkbox"/> DST-CF5	Fully adjustable driver's comfort seat Air suspension, heated, integrated safety belt	<input type="checkbox"/> AMIR-F20	Close view mirror
<input type="checkbox"/> SBD-RED	Red safety belts, pass. & driver seats	<input checked="" type="checkbox"/> SUNV-H	Exterior Sunvisor
<input checked="" type="checkbox"/> SBPRE-DS	Drivers seat belt pretensioner	<input type="checkbox"/> AD-ROOF	Aero-dynamic roof mounted deflector
<input checked="" type="checkbox"/> PST-BAS1	Basic passenger's seat	<input type="checkbox"/> AD-SIDES	Aero-dynamic cab side deflectors
<input type="checkbox"/> PST-CF5	Fully adjustable passenger comfort seat Air suspension, heated, safety belt		
<input type="checkbox"/> SBPRE-PS	Passenger seatbelt pretensioner		
<input type="checkbox"/> ARMRE-BB	Armrests both sides - driver's & passenger's seat		

Standard Equipment

Optional Equipment

For more detailed information about cab and powertrain equipment, please refer to separate specification sheets.

For all possible options and combinations of options please consult your Volvo sales contact who can create a specification to match your requirements using the Volvo Sales Support system (VSS).

The factory reserves the right to modify design and change equipment without previous notification. The specification can vary from country to country.

MODEL RANGE

FM11 6x4 Rigid Air Suspension FM 64R 1A

- **GUARD-W** Windscreen Stoneguard
- **HL-BASIC** Standard head lamps
- **HL-LED** LED Headlights
- **HBDA-A** Automatic High Beam De-Activation
- **HL-CLEAN** Head lamp cleaning system
- **HLP-ST** Headlight Protection - Steel
- **HL-ADJ** Headlight Adjustment - Manual
- **DRL-LED** V-shaped LED Daytime Running Light
- **DRIVL2** Integrated driving lamps
- **UDRIVL** Without Integrated Driving Lights
- **FOGL-WC** Integrated fog lamps
- **CL-STAT** Corner light-static
- **ASL-RF2** Spotlights Inside Globetrotter Sign Box
- **IDLAMP-A** Identification Lamps - Amber
- **BEACON-P** Beacon Light Wire Preparation
- **SPOTP-F** Aux spotlight preparation, 280W maximum
- **CSGN-GTR** Globetrotter decal
- **ANT-CBR** Antenna for CB Radio (Single Antenna)

Superstructure

- **SRWL-2RW** 2 Rear Chassis Mounted Working Lamps - White
- **SRWL-PK** Wiring Prep for Chassis Mounted Reverse/Working Lamps - 3 Position Switch
- **SWL-2FW** 2 Side Working Lamps - White (Forward Facing)
- **SWL-2RW** 2 Side Working Lamps - White (Rearward Facing)
- **SWL-4W** 4 Side Working Lamps - White
- **SWL-PK** Wiring Prep for Chassis Mounted Working Lamps - 2 Position Switch
- **WL-CHPK** Chassis Mounted Working Light Prep Kit
- **WLC-H2W** 2 LED work lamps - High Mounted with White Lens.
- **WLC-PKH** Prep Kit for High Mounted Work Lamps
- **ECBB-HIG** Body Builder Module - Cab Module (14 High/4 Low)
- **ECBB-MED** Body Builder Module - Cab Module (7 High/4 Low)
- **BBCHAS3** Body Builder Chassis Electrical Interface - 3 x 7 Pin Connectors
- **EXSTER** External Steering via Body Builder's Module
- **HBA-SB** Holes for Body Attachments
- **AESW2** 2 Flexible Switches (AUX1 and AUX2).
- **AESW2PK** 2 Flexible Switches (AUX1 & AUX2) + Additional 4 Flexible Switches
- **AUXSW-4** Wiring Prep. for 4 Extra Bodybuilder Switches (switches not included)

Delivery services

- **TGW-4GWL** Telematics Gateway with 4G/LTE & WLAN
- **FMS-PK** Fleet management system gateway
- **DRUT1** "My Truck" Smartphone App. 1 Year Prepaid
- **DRUT2** "My Truck" Smartphone App. 2 Year Prepaid
- **DRUT3** "My Truck" Smartphone App. 3 Year Prepaid
- **DRUT4** "My Truck" Smartphone App. 4 Year Prepaid
- **DRUT5** "My Truck" Smartphone App. 5 Year Prepaid
- **TSRS2** Traffic Sign Recognition System