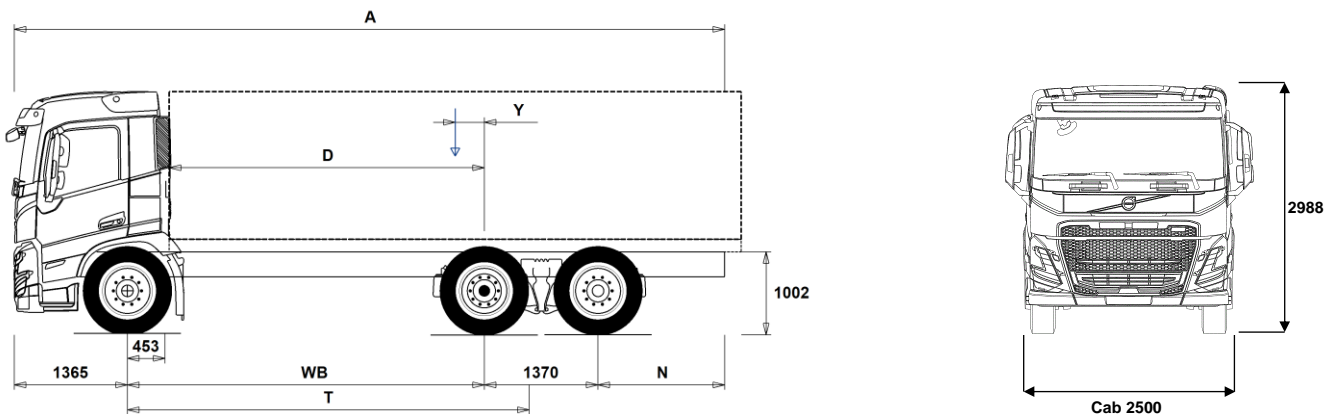


MODEL RANGE

NEW FM Battery Electric 6x2 Tag Rigid - Full Air Suspension FM 62R TE



Chassis Dimensions [mm]

WB Wheelbase	3900	4100	4300	4600	4800	4900	5200	5600	6000
A Overall Chassis Length	9960	10160	9410	9860	10160	10310	10810	11410	12060
D Center of rear axle to front of body	3397	3597	3797	4097	4297	4397	4697	5097	5497
N Rear Overhang (Min.)	825	825	825	825	825	825	1225	1225	1225
N Rear Overhang (Max.)	3325	3325	2375	2525	2625	2675	2875	3075	3325
T Theoretical Wheelbase	4441	4641	4841	5141	5341	5441	5741	6141	6541
Y Center of Gravity for Payload (Min.)	-103	-106	-129	-134	-141	-143	-150	-161	-179
Y Center of Gravity for Payload (Max.)	179	188	177	192	198	203	216	232	243

Chassis Weights [kg]

Front Axle	5480	5560	5695	5785	5855	5885	5965	6065	6165
Rear Bogie	4725	4660	4505	4440	4415	4395	4365	4320	4305
Kerb Weight	10205	10220	10200	10225	10270	10280	10330	10385	10470
Payload (including body, driver, fuel, etc.)	15795	15780	15800	15775	15730	15720	15670	15615	15530

Turning Diameter [mm]

Turning Circle Diameter Kerb to Kerb	15600	16200	16800	17800	18400	18700	19600	20800	22000
Turning Circle Diameter Wall to Wall	17000	17600	18200	19200	19800	20100	21000	22200	23500

Plated Weights [kg]

	Plated	Design
Gross Vehicle Weight	26000	27000
Gross Combination Weight	32000	32000
Front Axle	8000	8000
Rear Bogie	19000	19000

Important Notes

Chassis Dimensions

Cab Height: +374 mm for CAB-HSLP, -204 mm for CAB-LDAY, -204 mm for CAB-LSLP, +4 mm for CAB-SLP.
 Front Axle to Back of Cab: +422 mm for CAB-HSLP and CAB-LSLP and CAB-SLP.
 D-measure includes a front clearance of 50 mm and for rigid trucks also a subframe of 100 mm.
 Height can vary ± 20 mm for leaf and ± 10 mm for air suspension.
 All dimensions are for unladen chassis and any tag axles down. Chassis height used: CHH-MED.
 Height change when chassis height CHH-HIGH: 0 mm.

Weight and dimensions are based upon the following tyres:
 Front Axle Tyres: 315/80R22.5
 Drive Axle Tyres: 315/80R22.5
 Trailing/Pusher Axle Tyres: 315/80R22.5

Chassis weight includes oil, water, AdBlue, 0 litres fuel and without driver. Kerb weight can vary ± 10%.

Turning diameters are theoretically calculated. Tag axle used: TA-FIXED.

Legal weights can differ from country to country.

For more detailed weight information, including optional equipment weights, ask your Volvo sales contact to enter your specification into the Volvo Weight Information system (WIS).

Do NOT use this drawing for bodybuilding. Refer to Volvo Bodybuilder Instructions and chassis assembly drawing FM62RTE.

MODEL RANGE

NEW FM Battery Electric 6x2 Tag Rigid - Full Air Suspension FM 62R TE

TRUCK USE

- RC-SMOOT** Road Conditions - Smooth
- GARB-PRE** Transport Adaption - Refuse preparation
- SWAPBODY** Transport Adaption - Swap body vehicle preparation
- TIPP-PRE** Transport Adaption - Tipper vehicle preparation
- UNIFORM** Transport Adaption - Basic platform vehicle

CORE COMPONENTS

- CHH-HIGH** Chassis Height - High - for loading heights check the unique BEP chassis drawing attached to this quote
- CHH-MED** Chassis Height - Medium - for loading heights check the unique BEP chassis drawing attached to this quote
- TA-HYSB2** Tag axle - Electro-hydraulically steered
- TAG-FIXD** Tag axle - Fixed with twin tyres on tag axle
- TAG-FIXS** Tag axle - Fixed with single tyres on tag axle
- RADT-GR** Rear air suspension, 2 axles - 1 driven/1 tag
- FME-DAY** Cab - Day - steel safety cage design
Designed and built to Swedish impact and ECE R29 regulations
- FME-HSLP** Cab - Globetrotter - all-steel safety cage design with a roof-mounted emergency escape hatch.
Designed and built to Swedish impact and ECE R29 regulations
- FME-LDAY** Cab - Low Day - steel safety cage design
Designed and built to Swedish impact and ECE R29 regulations
- FME-LSLP** Cab - Low sleeper - with steel safety cage design
Designed and built to Swedish impact and ECE R29 regulations
- FME-SLP** Cab - Sleeper - all-steel safety cage design with a roof-mounted emergency escape hatch.
Designed and built to Swedish impact and ECE R29 regulations
- EPT2412** Gearbox - I-shift Automated 12-speed - suitable for gross train weights up to 44tonne
- NEM2** Electric Motors - 2 - Output 330 kW - 450hp continuous power
- NEM3** Electric Motors - 3 - Output 490 kW – 666hp continuous power
- RSS1344C** Drive Axle - RS1344C single reduction with differential lock - design GCW 44 tonne
- RSS1344E** Drive Axle - RSS1344E single reduction with differential lock - design GCW 44 tonne
- RSS1370A** Drive Axle - RSS1370A single reduction 13 tonne with differential lock - design GCW 70 tonne

PACKAGES

- INFONDF** Media Information Platform with Navigation & Volvo Connect "On board" Support
- DRIV-E** Cab Package - Drive
- DRIV-E+** Cab Package - Drive +
- DRIV-E++** Cab Package - Drive ++
- 1LIVFM-E** Sleep & Resting Package - Living one-bed
- 2LIVFM-E** Sleep & Resting Package - Living two-bed
- GSR2024** GSR2 Safety Package - includes moving off information, cyclist and pedestrian side sensors, reverse camera, driver alert support, tyre pressure monitoring, intelligent speed assist, alcohol lock preparation interface, and emergency brake lights
- GSR2024+** GSR2 Safety Package - includes moving off information, cyclist and pedestrian side sensors, reverse camera, driver alert support, tyre pressure monitoring, intelligent speed assist, alcohol lock preparation interface, and emergency brake lights. Plus Volvo dynamic steering with lane keeping corrective steering, trailer stretch brake and adaptive cruise control
- RANGOPT5** Range Optimisation Package - 5 years prepaid subscription

CHASSIS

- FST-AIR** Front suspension type - Air
- FSLS-BAS** Front suspension levelling - basic stroke

- FSLS-HI** Front suspension levelling - high stroke for demount operations - check with bodybuilder
- FAL10.0** Front axle design capacity - 10 tonne - check tyre capacity
- FAL8.0** Front axle design capacity - 8.0 tonne - check tyre capacity
- FAL8.5** Front axle design capacity - 8.5 tonnes
- FAL9.0** Front axle design capacity - 9.0 tonne - check tyre capacity
- FSTAB** Front anti-roll bar - Normal stiffness
- FSTAB2** Front anti-roll bar - Medium stiffness
- FSTAB3** Front anti-roll bar - High stiffness
- RAL19** Rear bogie design capacity - 19 tonne
- RAL20.5** Rear bogie design capacity - 20.5 tonne
- RAL22.5** Rear bogie design capacity - 22.5 tonne
- RAL23** Rear bogie design capacity - 23 tonne
- RSTAB2** Rear anti-roll bar - Medium stiffness
- RSTAB3** Rear anti-roll bar - Stiff
- RALIM10** Rear-axle load limiter - 10 tonne
- RALIM105** Rear-axle load limiter - 10.5 tonne - speed controlled
- RALIM115** Rear-axle load limiter - 11.5 tonne - speed controlled
- RALIM20** Rear-axle load limiter - 20 tonne
- RALIM95** Rear-axle load limiter - 9.5 tonne
- ASF-DL1** Air suspension with 1 driving level
- ASF-DL3** Air suspension with 3 driving levels
- ASF-DLL** Air suspension with automatically lowered drive height over 60km/h
- ACTST-TO** Active Steering- Volvo Dynamic Steering - VDS - with extra electronic pump and torque overlay
- ASFE-BAS** Active steering feature - Basic - Volvo Dynamic Steering - VDS - only
- ASFE-OG** Active steering feature - Volvo Dynamic Steering - VDS - with stability assist - oversteer
- ASFE-PO** Active steering feature - Volvo Dynamic Steering - VDS - with personal settings and stability assist
- ASFE-PS** Active steering feature - Volvo Dynamic Steering - VDS - with personal settings
- RST-AIR** Rear suspension type - Air
- RST-AIR4** Rear suspension type - Air with reinforced air bellows
- FRAME300** Chassis frame section external height - 300 mm
- FST8080** Chassis frame thickness - 8 mm web and flange
- FIL-EEEB** Chassis frame inner liner - From the end of the engine to the end of the bogie
- FIL-EEEF** Chassis frame inner liner - From the end of the engine to end of the frame
- FIL-FBEB** Chassis frame inner liner - Over the rear bogie
- FIL-FBEF** Chassis frame inner liner - From the front of bogie to the end of the frame
- FIL-TXEB** Chassis frame inner liner - From gearbox member to the end of the bogie
- FIL-TXEF** Chassis frame inner liner - From gearbox member to the end of the frame
- BATTAMP** Battery management - Voltage and current gauge
- BATTIND** Battery management - Voltage, current and charge indicators
- WHC-FIX2** Wheel chocks - Two fixed design
- WHC-FOL1** One foldable wheel chock
- WHC-FOL2** Two foldable wheel chocks
- WHCP-M** Wheel chock carrier position - Middle part of the vehicle
- WHCP-R** Wheel chock carrier position - In the rear part of the vehicle
- WHCP-T** Wheel chock carrier position - Outer luggage locker
- SUP-BAS** Side guards - Check with bodybuilder chassis space requirements
- CHAIN-S** Snow chains
- HOOK-SC** Snow chain hooks
- TOWF-NO1** Front towing device - One detachable - stored in cab
- TOWF-NO2** Front towing device - Two detachable - stored in cab
- TOWMBRH** Towing member, high mounted in centre of frame, D = 190

Standard Equipment Optional Equipment

For more detailed information about cab and powertrain equipment, please refer to separate specification sheets.

For all possible options and combinations of options please consult your Volvo sales contact who can create a specification to match your requirements using the Volvo Sales Support system (VSS).

The factory reserves the right to modify design and change equipment without previous notification. The specification can vary from country to country.

MODEL RANGE

NEW FM Battery Electric 6x2 Tag Rigid - Full Air Suspension FM 62R TE

<input type="checkbox"/> TOWMBRL1	Towing member, low mounted under the frame	<input checked="" type="checkbox"/> PVT-MAP	I-See Predictive Cruise Control - using map-based topography information
<input type="checkbox"/> TOWMBRL2	Towing member, low and forward mounted under the frame	<input type="checkbox"/> EPTC270	Electro-mechanical Power Take Off - Output 270 Nm - transport located on top of chassis behind cab
<input type="checkbox"/> TOWMBRL3	Towing member, low and far forward mounted under the frame	<input type="checkbox"/> HPM-F101	Hydraulic pump - F1-101 for electrical motor, fixed displacement pump
<input type="checkbox"/> TOWMBRM	Towing member, medium mounted in line with frame lower flange	<input type="checkbox"/> HPM-F41	Hydraulic pump - F1-41 for electrical motor, fixed displacement pump
<input type="checkbox"/> RFEC-L	Rear frame profile - Lower flange cut for centre axle drawbar	<input type="checkbox"/> HPM-F51	Hydraulic pump - F1-51 for electrical motor, fixed displacement pump
<input checked="" type="checkbox"/> RFEC-S	Rear frame profile - Straight cut	<input type="checkbox"/> HPM-F61	Hydraulic pump - F1-61 for electrical motor, fixed displacement pump
<input type="checkbox"/> RFEC-U	Rear frame profile - Slight uppercut for tippers	<input type="checkbox"/> HPM-F81	Hydraulic pump - F1-81 for electrical motor, fixed displacement pump
<input type="checkbox"/> C-RI4040	Towing coupling, Ringfeder 4040A	<input type="checkbox"/> HPM-T42	Hydraulic pump - F2-42/42 for electrical motor, twin flow displacement pump
<input type="checkbox"/> C-RI5050	Towing coupling, Ringfeder 5050A	<input type="checkbox"/> HPM-T53	Hydraulic pump - F2-53/53 for electrical motor, twin flow displacement pump
<input type="checkbox"/> C-RO400G	Towing coupling, Rockinger 400 G-150 for 40mm eyes	<input type="checkbox"/> HPM-T55	Hydraulic pump - F2-55/28 for electrical motor, twin flow displacement pump
<input type="checkbox"/> C-RO50	Rockinger RO 50 50mm for centre axle trailer	<input type="checkbox"/> HPM-T70	Hydraulic pump - F2-70/35 for electrical motor, twin flow displacement pump
<input type="checkbox"/> C-VBG520	VBG 5200D-3 coupling (Not suitable for centre axle trailers) Contact VBG on 01925 234111 to validate the coupling rating for the application	<input type="checkbox"/> HPM-V130	Hydraulic pump - VP1-130 for electrical motor, variable displacement pump.
<input type="checkbox"/> C-VBG795	VBG 795V-3 coupling (centre axle trailer)	<input type="checkbox"/> HPM-V45	Hydraulic pump - VP1-45 for electrical motor, variable displacement pump.
<input type="checkbox"/> TOWR-ONE	Towing hitch attached to rear crossmember	<input type="checkbox"/> HPM-V75	Hydraulic pump - VP1-75 for electrical motor, variable displacement pump.
<input type="checkbox"/> TREL-PK	Trailer electrical preparation kit - chassis/cab wiring	<input type="checkbox"/> HPM-V95	Hydraulic pump - VP1-95 for electrical motor, variable displacement pump.
<input type="checkbox"/> TREL14	Single 14 pole electrical trailer connector	<input type="checkbox"/> PTR-D	Gearbox PTO for plug-in pump, 0.71xeng speed
<input type="checkbox"/> TREL15	Trailer electrical connection - Single 15 pin - ADP certified	<input type="checkbox"/> PTR-DH	Gearbox driven high speed PTO for one plug-in hydraulic pump
<input type="checkbox"/> TREL7-7	Trailer electrical connection - 2 x 7 pin - 24N and 24S	<input type="checkbox"/> PTR-DM	Gearbox driven medium speed PTO for one plug-in hydraulic pump
<input type="checkbox"/> TBC-DUO	Trailer brake connections - Duomatic type	<input type="checkbox"/> PTR-F	Gearbox driven PTO with rear flange connection
<input type="checkbox"/> TBC-EC	Trailer brake connections - EC palm coupling connectors	<input type="checkbox"/> PTR-FH	Gearbox driven high speed PTO with SAE drive flange
<input type="checkbox"/> TRBR-HCF	Full pressure hand controlled trailer brake	<input type="checkbox"/> PTR-FL	Gearbox driven low speed PTO with SAE drive flange
<input type="checkbox"/> TRBR-STA	Stationary trailer brake control	<input type="checkbox"/> PTRD-D	Gearbox driven HIGH SPEED PTO for two plug-in hydraulic pumps
<input type="checkbox"/> TRB-STRE	Stretch Brake - Automatic low speed trailer brake activation to avoid jack-knifing and improve steerability	<input type="checkbox"/> PTRD-D1	PTRD-D1 Gearbox driven HIGH SPEED PTO (1 SAE flange & 1 plug-in hydraulic pump)
<input type="checkbox"/> RFEND-B	Rear mud wings - Three piece EC approved and spray flaps	<input type="checkbox"/> PTRD-D2	Gearbox driven HIGH SPEED PTO (2 SAE flanges & 1 plug-in hyd pump)
<input type="checkbox"/> RFEND-T	Rear mud wings - Temporary on drive axle for transport delivery only	<input type="checkbox"/> PTRD-F	PTO with 1 DIN + 1 flange connection rear, manual gearbox
<input type="checkbox"/> RFH-BAS	Basic rear wing height	<input type="checkbox"/> HPG-F101	Parker F1-101 gearbox mounted, fixed displacement, single flow, hydraulic pump
<input type="checkbox"/> RFH-HIG	High rear wing height - higher wing tops	<input type="checkbox"/> HPG-F41	Parker F1-41 gearbox mounted, fixed displacement, single flow, hydraulic pump
<input type="checkbox"/> RFH-LOW	Lower rear wing height - shallower wing tops	<input type="checkbox"/> HPG-F51	Parker F1-51 gearbox mounted, fixed displacement, single flow, hydraulic pump
<input type="checkbox"/> AUXATNK	Auxiliary airtank	<input type="checkbox"/> HPG-F61	Parker F1-61 gearbox mounted, fixed displacement, single flow, hydraulic pump
<input type="checkbox"/> RESTS-W	White conspicuity markings on chassis - sideguards, toolbox and rear overhang	<input type="checkbox"/> HPG-F81	Parker F1-81 gearbox mounted, fixed displacement, single flow, hydraulic pump
<input type="checkbox"/> REST-RUP		<input checked="" type="checkbox"/> CRUIS-E	Eco cruise control (with eco-roll and I-cruise, controls in steering wheel)
<input checked="" type="checkbox"/> BLIGHT-E	Emergency brake light	<input checked="" type="checkbox"/> DTRI-PER	Dashboard in darker peregrine greyish brown. Steering wheel grey and door panels in light beige for FH and black for FH16.
WHEELS & TYRES		<input checked="" type="checkbox"/> STWPOS-R	Steering wheel position - RIGHT-HAND DRIVE
<input checked="" type="checkbox"/> RT-AL	Wheels - Howmet Alcoa brushed aluminium rims - standard holes for long stud fixing	<input type="checkbox"/> STWM-LE	Steering wheel - Leather
<input type="checkbox"/> RT-ALDP	Wheels - Howmet Alcoa Dura-Bright aluminium rims - standard holes for long stud fixing	<input checked="" type="checkbox"/> STGW-AD2	Steering wheel adjustment - Neck tilt, column height and angle
<input type="checkbox"/> RT-ALDPD	Wheels - Howmet Alcoa Dura-Bright EVO aluminium rims - countersunk holes for short stud fixing	<input type="checkbox"/> 1DAYB	One day analogue tachograph, basic
<input type="checkbox"/> RT-ALDU	Wheels - Howmet Alcoa brushed aluminium rims - countersunk holes for short stud fixing	<input type="checkbox"/> 1DAYDIG2	Tachograph - Continental VDO 4.0
<input type="checkbox"/> RT-STEEL	Wheels - Steel rims	<input checked="" type="checkbox"/> 1DAYDIG4	Smart tachograph - Continental VDO 4.1 version 2 - legal demand from 21/08/2023
<input type="checkbox"/> SPWT-D	Spare wheel & tyre with rear tyre pattern	<input type="checkbox"/> TAC-PK2	Tachograph prep Kit
<input type="checkbox"/> SPWT-F	Spare wheel & tyre with front tyre pattern	<input type="checkbox"/> ARSL	Additional road speed limit - switch in dashboard
<input type="checkbox"/> SWCP-R	Rear mounted spare wheel carrier	<input type="checkbox"/> SPEED-DU	Dual speed limiter
<input type="checkbox"/> SWCP-T	Spare wheel supplied temporarily strapped to chassis		
<input type="checkbox"/> SWCP-TP	Temporary spare wheel carrier on top of chassis frame		
<input type="checkbox"/> JACK-12T	12 tonne bottle jack		
<input type="checkbox"/> JACK-15T			
<input type="checkbox"/> JACK-20T			
<input checked="" type="checkbox"/> TOOL-BAS	Basic Toolkit		
<input type="checkbox"/> TOOLKIT	Complete tool kit		
<input type="checkbox"/> INFLAHOS	Tyre inflation hose		
<input type="checkbox"/> GAUGE-TP	Tyre pressure gauge		
DRIVELINE EQUIPMENT			
<input checked="" type="checkbox"/> DRM-BE	Drive Mode - Balanced & Economy		

Standard Equipment

Optional Equipment

For more detailed information about cab and powertrain equipment, please refer to separate specification sheets.

For all possible options and combinations of options please consult your Volvo sales contact who can create a specification to match your requirements using the Volvo Sales Support system (VSS).

The factory reserves the right to modify design and change equipment without previous notification. The specification can vary from country to country.

MODEL RANGE

NEW FM Battery Electric 6x2 Tag Rigid - Full Air Suspension FM 62R TE

■ ESP-BAS1	Electronic Stability Control ESC	□ ARMRE-BB	Armrests - Two on both driver & passenger seats
□ ESPC-RO	Additional ESC functions - Reduced / Off	□ ARMRE-DB	Armrests - Two on the driver seat
□ HWSS-AC	Forward collision warning with adaptive cruise control WITHOUT AEBS advanced emergency brake system	□ ARMRE-PB	Armrests - Two on the passenger seat
□ HWSS-ACB	Forward collision warning with adaptive cruise control and AEBS advanced emergency brake system	□ ARU-BAS	Armrest upholstery - Vinyl
■ HWSS-FCB	Forward collision warning with AEBS advanced emergency brake system	□ ARU-LEA	Armrest upholstery - Leather
■ LSS-DW	Lane departure-warning system	■ FMAT-RUB	Footwell floor mats - Rubber
■ LCS4	Side Collision Avoidance Support - passenger and driver side	□ FMAT-TX2	Footwell floor mats - Two sets, Rubber and textile with an embossed pile supplied in the cab
□ DAS-W	Driver Alert Support system	□ LBK70	Lower bunk 700 x2000 mm, fixed
□ RSENS-W	Rain sensing windscreen wipers	□ MATL-FI	Firm lower bunk pocket sprung mattress
■ CU-ECC	Cab Climate Unit - Electrically controlled air conditioning with sun sensor	□ MATL-SF	Lower mattress - Flexi-zone semi-firm, pocket springs up to 100kg - 16 stone
□ CU-ECC2	Cab Climate Unit - Electrically controlled air conditioning with carbon filter, sun, mist, and air quality sensor	□ OLMAT-BA	Mattress overlay protector - 35mm thick
■ IMMOBIL	Thatcham H2 approved immobiliser	□ OLMAT-PR	Mattress overlay protector - Premium 50mm thick
□ ALARM-E	Enhanced vehicle alarm - Thatcham H1 approved - Cab plus external sensor for body/trailer	□ TBK60F	Top bunk - Fixed foldable 600 x 1900mm
□ ISUNS-BS	Side sun visor - Driver & passenger side	□ TBK70F	Top bunk - Fixed foldable 700 x 1900mm
■ ISUNS-DS	Side sun visor - Driver-side	□ SLCP-BAS	Sleeper control panel - Basic with switches for interior light, night heater, roof hatch and door lock
□ ISUNF-RE	Electrically operated textile interior sun blind	□ ETSB-F	Storage on engine tunnel - Central document box with two rear cup holders
■ ISUNF-RM	Manually operated textile interior sun blind	□ ETSB-FR	Storage on engine tunnel - Central document box with two rear cup holders & open storage pocket on cab rear wall
□ ADFS	Two extra DIN slots in front shelf - can be fitted with card or drawer available as an accessory	□ ETSB-R	Storage on engine tunnel - Open storage pocket on cab rear wall
■ BUPALARM	Reverse alarm	□ RUS-BAS	Rear cab upper storage - 300 mm high
□ RTOLL-PK	Road toll PREPARATION kit for trucks operating with "Toll Collect" in Germany	□ RUS-HIG	Rear cab upper storage - 440 mm high - volume 245 litres
■ LOADIND	Load indicator with central dashboard display	□ REF-ICPK	Fridge - Engine tunnel mounted preparation kit
□ REMC-MF	Multi-function wireless remote control	□ REFR-RUS	Fridge - 28 litre rear upper wall mounted with dividers
■ FIREXT3S	Fire extinguisher - 3kg mounted on the seat base	□ MICRO-PK	Wiring preparation kit for microwave oven
□ WARNVEST	High visibility warning vest - no sleeves	■ BOTH-D	Bottle holder - One under dashboard centre section
■ WARNTRI2	Roadside hazard warning triangle	□ COFMA-PK	Coffee maker - Preparation kit.
□ AIDKIT	First aid kit - Legal demand for EU markets including delivery to EU bodybuilder	■ INLI-BAS	Interior light - White LEDs
□ AIDKIT1B	First aid kit - Legal demand for trucks transiting Germany	□ INLI-NL	Interior light - White and red nightlight LEDs without dimmer
□ WARNLAMP	Portable warning lamp	□ INLI-NLD	Interior light - White and red nightlight LEDs with dimmer
□ LAMP-IN	Inspection lamp	□ ARL-FLEX	Flexible reading lamps - Two "snake" type
□ BULBKIT	Bulb and fuse kit	■ RH-EE	Fixed tinted glass sky window with emergency exit
□ WRITEPAD	Writing pad	□ RH-ER	Steel roof hatch - Electrically operated, rear opening with emergency exit
■ DST-CF4	Driver seat - Suspended, adjustable shock absorber, travel, backrest & lumbar controls with integrated seatbelt	□ RH-ETR	Tinted glass roof hatch - Electrically operated, rear opening with emergency exit
□ DST-CF5	Driver seat - Suspended with adjustable shock absorber, travel, backrest, lumbar & heat controls with integrated seatbelt	□ RH-MTR	Tinted glass roof hatch - Manually operated, rear opening with emergency exit
□ DST-CF6	Driver seat - Suspended with adjustable shock absorber, travel, backrest, lumbar, heat and ventilation controls with integrated seatbelt	■ GLAS-TIN	Cab windows - Tinted
□ SBD-RED	Seat belt colour - Red	□ AWIND-RF	Rear window
□ PST-BAS1	Passenger seat - Fixed non suspended fold up with seatbelt mounted on cab "B" post	□ SWIND-BS	Cab side window - On both sides behind 'B' post
□ PST-CF4	Passenger seat - Suspended, adjustable shock absorber, travel, backrest & lumbar controls with integrated seatbelt	□ SWIND-PS	Cab side window - Left side behind 'B' post
□ PST-CF5	Passenger seat - Suspended with adjustable shock absorber, travel, backrest, lumbar & heat controls with integrated seatbelt	□ VANMIR	Vanity mirror - In front shelf
■ PST-STD2	Passenger seat - Fixed with backrest adjustment, non suspended with seatbelt mounted on cab "B" post	□ AS-FUS	Extra shelf in front compartments
□ PST-STD4	Passenger seat - Standard suspended with seatbelt mounted on cab "B" post	□ INFOT-PK	Preparation kit for the mounting of a flat screen TV in cab above the driver's door, includes bracket, electrical and speaker connections
□ SBPRE-PS	Passenger seat belt pretensioner		

■ Standard Equipment □ Optional Equipment

For more detailed information about cab and powertrain equipment, please refer to separate specification sheets.

For all possible options and combinations of options please consult your Volvo sales contact who can create a specification to match your requirements using the Volvo Sales Support system (VSS).

The factory reserves the right to modify design and change equipment without previous notification. The specification can vary from country to country.

MODEL RANGE

NEW FM Battery Electric 6x2 Tag Rigid - Full Air Suspension FM 62R TE

<input checked="" type="checkbox"/> BUMP-SP	Front bumper spoiler	<input type="checkbox"/> SW745-EE	Swapbody equipped with front stop block for wheelbase 4600 mm and body length 7150/7450 mm. Height 130 mm above frame.
<input type="checkbox"/> CTILTP-E	Electrically operated hydraulic cab tilt	<input type="checkbox"/> SW745-FE	Swapbody equipped with front stop block for wheelbase 4800 mm and body length 7150/7450 mm. Height 130 mm above frame.
<input checked="" type="checkbox"/> CTILTP-M	Manually operated hydraulic cab tilt	<input type="checkbox"/> SW745-GE	Swapbody equipped with front stop block for wheelbase 4600 mm and body length 7150/7450 mm. Height 190 mm above frame.
<input type="checkbox"/> FCABS-A	Front cab suspension - Air	<input type="checkbox"/> SW745-HE	Swapbody equipped with front stop block for wheelbase 4800 mm and body length 7150/7450 mm. Height 130 mm above frame.
<input checked="" type="checkbox"/> FCABS-M	Front cab suspension - Mechanical spring	<input type="checkbox"/> SW782-ME	Swapbody equipped with front stop block for wheelbase 4900 mm and body length 7150/7450/7820 mm. Height 130 mm above frame.
<input type="checkbox"/> RCABS-A	Rear cab suspension - Air	<input type="checkbox"/> SW782-OE	Swapbody equipped with front stop block for wheelbase 4900 mm and body length 7150/7450/7820 mm. Height 190 mm above frame.
<input checked="" type="checkbox"/> RCABS-M	Rear cab suspension - Mechanical spring	<input type="checkbox"/> CROSSRE	Cross reinforcement for swapbody
<input checked="" type="checkbox"/> MIRCFCPS	Mirrors - Electrically heated and operated main and wide-angle with manually adjusted kerb view mirror on the passenger side and position camera in nearside mirror arm.	<input type="checkbox"/> SRWL-2RW	Chassis-mounted working lamps - Two white rear-mounted LED lamps and 3 position switch
<input type="checkbox"/> MIRCFCPX	Mirrors - Electrically heated and operated - FMX- main and wide-angle with manually adjusted kerb view mirror on the passenger side and position camera in nearside mirror arm. To increase direct vision to the side the main mirrors have no cowlings	<input type="checkbox"/> SRWL-PK	Chassis-mounted working lamps - Side work and reverse lamp preparation and 3 position switch - Max load 280W
<input type="checkbox"/> MIRFLA3		<input type="checkbox"/> SWL-2FW	Chassis-mounted working lamps - Two white front-mounted LED lamps
<input checked="" type="checkbox"/> AMIR-F20	Auxiliary front view mirror with a 200mm radius	<input type="checkbox"/> SWL-2RW	Chassis-mounted working lamps - Two white rear-mounted LED lamps
<input type="checkbox"/> SUNV-H	External smoke grey sunvisor	<input type="checkbox"/> SWL-4W	Chassis-mounted working lamps - Four white front and rear-mounted LED lamps
<input type="checkbox"/> AD-ROOF	Cab roof deflector - Adjustable	<input type="checkbox"/> SWL-PK	Chassis-mounted working lamps - Side work lamp preparation and 2 position switch - Max load 280W
<input type="checkbox"/> AD-SIDES	Cab side deflector - Short extension panels	<input type="checkbox"/> WLC-H2A	Two H3/70W working lamps with amber coloured lens high mounted back of cab
<input type="checkbox"/> AD-CHASX	Chassis side skirts	<input type="checkbox"/> WLC-H2W	Two H3/70W white working lamps high mounted on the back of cab
<input type="checkbox"/> ADCF-F	Additional black edging on chassis side skirt	<input type="checkbox"/> WLC-PKCH	Working lamp back of cab - Preparation kit - cables and switch
<input type="checkbox"/> HLP-ST	Headlamp protection	<input type="checkbox"/> WLC-PKH	Preparation kit, cables and switch for high mounted working lamps back of cab
<input type="checkbox"/> HLP-ST2	Mesh headlamp protection	<input type="checkbox"/> WLC-PKL	Preparation kit, cables and switch for low mounted working lamps back of cab
<input checked="" type="checkbox"/> DRL-LED	V-shaped daytime running lights	<input type="checkbox"/> WLC-PKLH	Preparation kit - cables and switch for low and high mounted working lamps back of cab.
<input type="checkbox"/> DRIVL2	Two spot lamps	<input checked="" type="checkbox"/> ECBB-HIG	Body builder electrical centre with body builder module
<input checked="" type="checkbox"/> UDRIVL	Auxiliary driving lights - Without	<input checked="" type="checkbox"/> BBCHAS1	One 7-pole connector for Body builder interface
<input checked="" type="checkbox"/> FOGL-WC	Front fog lights	<input type="checkbox"/> BBCHAS3	Three 7-pole connectors for Body builder interface
<input checked="" type="checkbox"/> CL-STAT	Static corner lights	<input type="checkbox"/> BEPR-T2	Body builder electrical software preparation for tipper with remote control
<input type="checkbox"/> ASL-RF2	Two Hella H11 70W spotlamps in sign box	<input type="checkbox"/> EXSTER	External steering control - Volvo dynamic steering and bodybuilder module prepared for external control system, installed and computer by bodybuilder
<input type="checkbox"/> BEACOA2F	Roof beacons - Two front roof mounted amber LED	<input type="checkbox"/> TD-BAS	Trailer detection WITHOUT LED sensing
<input type="checkbox"/> BEACOA2R	Roof beacons - Two rear roof mounted amber LED	<input type="checkbox"/> TD-LED	Trailer detection with LED sensing
<input type="checkbox"/> BEACON-P	Roof beacons - switch and wiring preparation only	<input type="checkbox"/> FBA-BTF	Lower front body attachments for torsionally flexible - platform body
<input type="checkbox"/> BEACONA4	Roof beacons - Four amber LED - two front/ two rear	<input type="checkbox"/> FBA-BTSF	Lower front body attachments for torsionally semi-flexible body - box or curtainsider
<input type="checkbox"/> CABPT-R1	Single outlet for roof mounted accessories	<input type="checkbox"/> HBA-FSFB	Holes for body attachments - flexible/semi-flexible body
<input checked="" type="checkbox"/> CABPT-R2	Twin outlets for roof mounted accessories.	<input type="checkbox"/> HBA-SB	Holes for body attachments - stiff body
<input type="checkbox"/> SPOTP-F	Spotlamp preparation in front, max 280W	<input type="checkbox"/> RBA-T2	Lower rear body attachments for helper frame
<input type="checkbox"/> SPOTP-R	Spotlamp preparation on roof, max 280W	<input type="checkbox"/> CRANEPK1	Crane plates mounted to frame, for cranes up to 10 tonne metre capacity
<input type="checkbox"/> SPOTP-RF	Spotlamp preparation on cab roof and in cab front, max 2x280W	<input type="checkbox"/> CRANEPK2	Crane plates mounted to frame, for cranes up to 20 tonne metre capacity
<input type="checkbox"/> ROS-IL	Globetrotter roof sign illuminated	<input type="checkbox"/> CRANEPK4	Crane plates mounted to frame, for cranes up to 40 tonne metre capacity
<input type="checkbox"/> ROS-IL2	Preparation kit for illuminated roof sign with switch loose in cab, fit after registration	<input type="checkbox"/> AUXL-SPK	Electrical preparation kit - wiring and switch for snow plough lights
<input type="checkbox"/> ROS-ILP	Roof sign illumination preparation kit	<input type="checkbox"/> TAILPRE2	Tail lift preparation kit, wireless remote operation
<input type="checkbox"/> CSGN-GTR	"Globetrotter" headboard logo		
<input checked="" type="checkbox"/> HORN-F1S	Horn - Air single tone - chassis mounted		
<input type="checkbox"/> HORN-R2S	Horn - Air - Two roof-mounted		
<input type="checkbox"/> ANT-CBR	Roof mounted antenna for CB radio, single aerial. Only Globetrotter cabs brings in extra DIN slots.		
<input type="checkbox"/> ACCBR-AP	Front, middle & rear roof mounted accessory brackets		
<input type="checkbox"/> ACCBR-F	Front roof mounted accessory bracket		
<input type="checkbox"/> ACCBR-FM	Front & middle roof mounted accessory brackets		
<input type="checkbox"/> ACCBR-FR	Front & rear roof mounted accessory brackets		
<input type="checkbox"/> ACCBR-M	Middle roof mounted accessory bracket		
<input type="checkbox"/> ACCBR-R	Rear roof mounted accessory bracket		
<input type="checkbox"/> ACCBR-RM	Rear & middle roof mounted accessory brackets		
<input type="checkbox"/> REFS-CW	White cab conspicuity markings mounted on cab side		
<input type="checkbox"/> REFS-TW	White cab conspicuity markings by packed in cab		
<input type="checkbox"/> REFS-TY	Yellow cab conspicuity markings by packed in cab		

SUPERSTRUCTURE PREPARATIONS

- Standard Equipment Optional Equipment

For more detailed information about cab and powertrain equipment, please refer to separate specification sheets.

For all possible options and combinations of options please consult your Volvo sales contact who can create a specification to match your requirements using the Volvo Sales Support system (VSS).

The factory reserves the right to modify design and change equipment without previous notification. The specification can vary from country to country.

MODEL RANGE

NEW FM Battery Electric 6x2 Tag Rigid - Full Air Suspension FM 62R TE

- **TAILPREP** Taillift preparation kit - cab switch and warning in driver display
- **AESW2** Two Body builder bistable electrical switches (marked AUX1 / AUX2)
- **AESW2PK** 2 Body builder bistable el.switches (marked AUX1/AUX2) and prep. for 4 more switches
- **AUXSW-4** Wiring for 4 extra switches (from Body builder electrical centre to switch positions)

DELIVERY SERVICES

- **FMS-PK** Fleet Management System gateway - required for aftermarket telematics
- **DRUT1** Driver utility app - "My Truck" - 1 year subscription
For mobile phone, tablet, with android and IOS systems.
Only available with Volvo Connect subscription
- **DRUT2** Driver utility app - "My Truck" - 2 year subscription
For mobile phone, tablet, with android and IOS systems.
Only available with Volvo Connect subscription
- **DRUT3** Driver utility app - "My Truck" - 3 year subscription
For mobile phone, tablet, with android and IOS systems.
Only available with Volvo Connect subscription
- **DRUT4** Driver utility app - "My Truck" - 4 year subscription
For mobile phone, tablet, with android and IOS systems.
Only available with Volvo Connect subscription
- **DRUT5** Driver utility app - "My Truck" - 5 year subscription
For mobile phone, tablet, with android and IOS systems.
Only available with Volvo Connect subscription