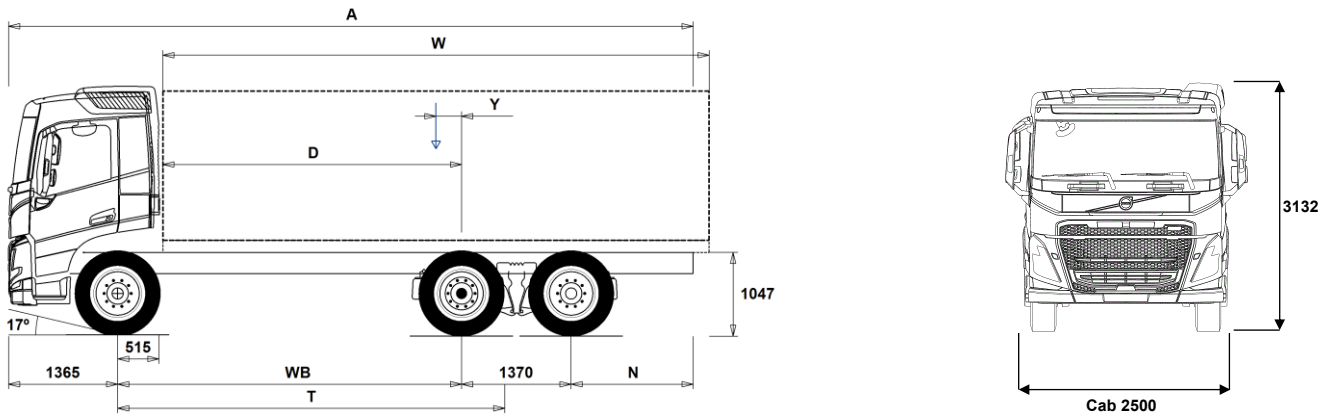


# MODEL RANGE

FM D11 62 Rigid Tag Axle Diesel Rear Air FM 62R T1A



## Chassis Dimensions [mm]

WB Wheelbase	3500	3700	4300	4600	4900	5200	5600	6000
A Overall Chassis Length	8160	8460	9410	9860	10310	10810	11410	12060
D Center of rear axle to front of body	2935	3135	3735	4035	4335	4635	5035	5435
N Rear Overhang (Min.)	825	825	825	825	825	1225	1225	1225
N Rear Overhang (Max.)	1925	2025	2375	2525	2675	2875	3075	3325
T Theoretical Wheelbase	4041	4241	4841	5141	5441	5741	6141	6541
Y Center of Gravity for Payload (Min.)	52	80	162	202	243	285	336	390
Y Center of Gravity for Payload (Max.)	52	80	162	202	243	285	336	390
W Body Length (Min.)	5764	6108	7145	7664	8182	8699	9396	10037
W Body Length (Max.)	5764	6108	7145	7664	8182	8699	9396	10037

## Chassis Weights [kg]

Front Axle	4330	4340	4380	4395	4410	4420	4445	4465
Rear Bogie	2920	2930	2990	3015	3035	3055	3090	3135
Kerb Weight	7250	7270	7370	7410	7445	7475	7535	7600
Payload (including body, driver, fuel, etc.)	18850	18830	18730	18690	18655	18625	18565	18500

## Turning Diameter [mm]

Turning Circle Diameter Kerb to Kerb	15000	15700	17600	18600	19500	20500	21800	23100
Turning Circle Diameter Wall to Wall	16400	17000	19000	19900	20900	21900	23100	24400

## Plated Weights [kg]

	Design
Gross Vehicle Weight	26100
Gross Combination Weight	44000
Front Axle	7100
Rear Bogie	19000

## Important Notes

### Chassis Dimensions

Cab Height: +328 mm for CAB-HSLP, -262 mm for CAB-LDAY, -262 mm for CAB-LSLP, +16 mm for CAB-SLP.  
 Front Axle to Back of Cab: +431 mm for CAB-HSLP and CAB-SLP, -69 mm for CAB-LDAY, +425 mm for CAB-LSLP.  
 D-measure includes a front clearance of 50 mm and for rigid trucks also a subframe of 100 mm.  
 Height can vary ± 20 mm for leaf and ± 10 mm for air suspension.  
 All dimensions are for unladen chassis and any tag axles down. Chassis height used: CHH-HIGH.  
 Rear overhang used for vehicle weight calculation is the maximum rear overhang (N Max.) for selected wheelbase.  
 Height change when chassis height CHH-MED,FRAME266: 0 mm.

Weight and dimensions are based upon the following tyres:  
 Front Axle Tyres: 315/80R22.5  
 Drive Axle Tyres: 315/80R22.5  
 Trailing/Pusher Axle Tyres: 315/80R22.5

**Chassis weight includes oil, water, AdBlue, 0 litres fuel and without driver. Kerb weight can vary ± 3%.**

Turning diameters are theoretically calculated. Tag axle used: TA-FIXED.

Legal weights can differ from country to country.

For more detailed weight information, including optional equipment weights, ask your Volvo sales contact to enter your specification into the Volvo Weight Information system (WIS).

Do NOT use this drawing for bodybuilding. Refer to Volvo Bodybuilder Instructions and chassis assembly drawing FM62RT1A.

# MODEL RANGE

## FM D11 62 Rigid Tag Axle Diesel Rear Air FM 62R T1A

### Transport operation

- RC-ROUGH** Rough road conditions: frequent driving on poorly maintained surfaced roads, hard-packed sand or gravel, or other surfaces of good or bad quality.
- RC-SMOOT** Smooth road conditions: at least 95% of the driven distance is on well-maintained or less maintained surfaced roads. Driving may occur on poorly maintained surfaced roads, hard-packed sand, or gravel surfaces of good or bad quality.
- GARB-PRE** Refuse vehicle preparation
- TIPP-PRE** Tipper vehicle preparation
- UNIFORM** Basic platform vehicle

### Core components

- CHH-HIGH** Chassis height high - approx. 1000 mm above ground level
- CHH-LOW** Chassis height low - approx. 850 mm above ground level
- CHH-MED** Chassis height medium - approx. 900 mm above ground level
- CHH-XLOW** Chassis height extra low - approx. 810 mm above ground level
- TA-HYSB2** Electro-hydraulically steered single-wheel tag axle with steering lockout at 38 km/h
- TAG-FIXD** Fixed twin-wheel tag axle
- TAG-FIXS** Fixed single-wheel tag axle
- TAG-SSTE** Self-steering single-wheel tag axle
- FM-CREW** FM crew cab (free-text CA needed)
- FM-DAY6** FM day cab
- FM-HSLP6** FM Globetrotter, high sleeper cab
- FM-LDAY6** FM low day cab
- FM-LSLP6** FM low sleeper cab
- FM-SLP6** FM sleeper cab
- EU5EEV** Euro 5, Enhanced Environmentally Friendly Vehicle (EEV)
- EU5SCR-M** Euro 5 with Selective Catalytic Reduction (SCR)
- EU6SCR** Euro 6 with SCR, particulate filter and EGR, Turbo-S
- D11S330A** Diesel engine, Euro 6, 10.8 litres, 330 hp/246 kW, 1600 Nm
- D11S380A** Diesel engine, Euro 6, 10.8 litres, 380 hp/279 kW, 1800 Nm
- D11S430A** Diesel engine, Euro 6, 10.8 litres, 430 hp/317 kW, 2050 Nm
- D11S460A** Diesel engine, Euro 6, 10.8 litres, 460 hp/338 kW, 2200 Nm
- D11A330** Diesel engine, Euro 3, 10.8 litres, 330 hp/243 kW, 1600 Nm
- D11A370** Diesel engine, Euro 3, 10.8 litres, 370 hp/273 kW, 1770 Nm
- D11A430** Diesel engine, Euro 3, 10.8 litres, 430 hp/317 kW, 1970 Nm
- D11C330** Diesel engine, Euro 4/5, 10.8 litres, 330 hp/243 kW, 1600 Nm
- D11C370** Diesel engine, Euro 4/5, 10.8 litres, 370 hp/273 kW, 1750 Nm
- D11C410** Diesel engine, Euro 4/5, 10.8 litres, 410 hp/302 kW, 1950 Nm
- D11C450** Diesel engine, Euro 4/5, 10.8 litres, 450 hp/332 kW, 2150 Nm
- D11K330** Diesel engine, Euro 6, 10.8 litres, 330 hp/243 kW
- D11K380** Diesel engine, Euro 6, 10.8 litres, 380 hp/280 kW
- D11K430** Diesel engine, Euro 6, 10.8 litres, 430 hp/317 kW
- D11K460** Diesel engine, Euro 6, 10.8 litres, 460 hp/338 kW
- EBR-EPG** Engine brake with exhaust pressure governor
- EBR-EPGC** Exhaust pressure governor with Volvo compression brake
- EBR-VEB** Volvo Engine Brake, VEB (compression brake with exhaust pressure governor, EPG)
- AT2412** I-Shift automated 12-speed gearbox, 2400 Nm
- AT2612** I-Shift automated 12-speed gearbox, 2600 Nm
- ATO2612** I-Shift automated 12-speed gearbox with overdrive, 2600 Nm
- PT2106** Powertronic 6-speed powershift gearbox, 2100 Nm
- RSH1370F** Rear hub reduction solo axle - axle load 13 tonnes, GCW 70 tonnes, version F
- RSS1344C** Rear single reduction solo axle - axle load 13 tonnes, GCW 44 tonnes, version C
- RSS1344F** Rear single reduction solo axle - axle load 13 tonnes, GCW 44 tonnes, version F
- RSS1352B** Rear single reduction solo axle - axle load 13 tonnes, GCW 52 tonnes, version B
- RSS1370B** Rear single reduction solo axle - axle load 13 tonnes, GCW 70 tonnes, version B
- RSS1370C** Rear single reduction solo axle - axle load 13 tonnes, GCW 70 tonnes, version C

### Packages

- INFOBASE** Information package, basic (without side display)
- INFOHIGH** Information package, high (with side display)

Standard Equipment

Optional Equipment

For more detailed information about cab and powertrain equipment, please refer to separate specification sheets.

For all possible options and combinations of options please consult your Volvo sales contact who can create a specification to match your requirements using the Volvo Sales Support system (VSS).

The factory reserves the right to modify design and change equipment without previous notification. The specification can vary from country to country.

**CHASPAC** Rigid chassis package

### Chassis

- FST-AIR** Front air suspension
- FST-PAR** Two-leaf front parabolic springs (normal stiffness)
- FST-PAR3** Three-leaf front parabolic springs (stiffer than normal)
- FST-PL1** Two-leaf front parabolic springs, lightweight composite support leaf (normal stiffness)
- FSLB-BAS** Basic levelling stroke in front air suspension (high ground clearance under front axle member)
- FSLB-HI** High-range levelling stroke in front air susp. (reduced ground clearance under front axle member)
- FAL10.0** Front axle load 10.0 tonnes
- FAL7.1** Front axle load 7.1 tonnes
- FAL8.0** Front axle load 8.0 tonnes
- FAL8.5** Front axle load 8.5 tonnes
- FAL9.0** Front axle load 9.0 tonnes
- FSTAB** Front anti-roll bar, normal stiffness
- FSTAB2** Front anti-roll bar, high stiffness
- FSTAB3** Front anti-roll bar, extra-high stiffness
- RSLS-BAS** Basic levelling stroke in rear air suspension (high ground clearance under rear axle member)
- RSLS-HI** High-range levelling stroke in rear air suspension (reduced ground clearance under rear axle member)
- RAL19** Rear axles load 19 tonnes
- RAL20.5** Rear axles load 20.5 tonnes
- RAL22.5** Rear axles load 22.5 tonnes
- RAL23** Rear axles load 23 tonnes
- RSTAB2** Rear anti-roll bar, high stiffness
- RSTAB3** Rear anti-roll bar, extra-high stiffness
- RALIM105** First rear driving axle load limiter, 10.5 tonnes (speed controlled)
- RALIM115** First rear driving axle load limiter, 11.5 tonnes (speed controlled)
- RALIM15** First rear driving axle load limiter, 15 tonnes
- RALIM95** First rear driving axle load limiter, 9.5 tonnes (speed controlled)
- ASF-DL1** Air suspension with one ride height
- ASF-DL3** Air suspension with three ride heights
- ACTST-TO** Volvo Dynamic Steering
- ASFE-BAS** Volvo Dynamic Steering, basic
- ASFE-OG** Volvo Dynamic Steering with Stability Assist
- ASFE-PO** Volvo Dynamic Steering with Personal Settings and Stability Assist
- ASFE-PS** Volvo Dynamic Steering with Personal Settings
- PSS-SING** Single power steering system
- PSP-FIX** Power steering pump with fixed displacement
- PSP-VAR** Power steering pump with variable displacement
- PSP-VAR2** Power steering pump with variable displacement (extra valve)
- EBS-MED** EBS (Electronic Braking System), Medium package
- EBS-STD** EBS (Electronic Braking System), Standard package
- RST-AIR** Rear air springs
- RST-AIR4** Rear air springs (extra stiff)
- RST-AIR6** Rear air springs for hot climates
- FRAME266** Frame rail section external height 266 mm
- FRAME300** Frame rail section external height 300 mm
- FST7070** Frame thickness - web 7.0 mm / flange 7.0 mm
- FST8080** Frame thickness - web 8.0 mm / flange 8.0 mm
- FIL-EEEB** Frame inner liner from end of engine to end of bogie
- FIL-EEEF** Frame inner liner from end of engine to end of frame
- FIL-FBEB** Frame inner liner from front of bogie to end of bogie
- FIL-TXEB** Frame inner liner from transmission cross member to end of bogie
- FIL-TXEF** Frame inner liner from transmission cross member to end of frame
- BBOX-L** Battery box on left-hand side

# MODEL RANGE

## FM D11 62 Rigid Tag Axle Diesel Rear Air FM 62R T1A

<ul style="list-style-type: none"> <li>■ <b>2BAT210C</b> AGM batteries, 2x210 Ah</li> <li>□ <b>2BATT170</b> Batteries, 2x170 Ah</li> <li>□ <b>2BATT225</b> Batteries, 2x225 Ah</li> <li>■ <b>BATTAMP</b> Battery voltmeter and ammeter</li> <li>□ <b>BATTIND</b> Battery voltmeter, ammeter and battery status gauge with visual alerts</li> <li>□ <b>ADR1</b> ADR adaptation, 1 switch in dashboard</li> <li>□ <b>ADR2</b> ADR adaptation, 1 switch in dashboard, 1 outside on back of cab</li> <li>□ <b>MSWI-A</b> ADR main switch</li> <li>□ <b>MSWI-C</b> Main switch on chassis</li> <li>■ <b>MSWI-R</b> Key remote controlled main switch</li> <li>■ <b>R330A71</b> Right 330-litre, D-shaped aluminium fuel tank, 710 mm high Min volume 255l Max volume 650l</li> <li>■ <b>UL-FUEL</b> Without left side fuel tank Min volume 160l Max volume 330l</li> <li>□ <b>ADTP-L</b> AdBlue tank on left hand side</li> <li>■ <b>ADTP-R</b> AdBlue tank on right hand side</li> <li>□ <b>ADB048</b> AdBlue tank: usable volume 48 litres, 560 mm high, mounted on chassis side</li> <li>■ <b>ADB064</b> AdBlue tank: usable volume 64 litres, 710 mm high, mounted on chassis side</li> <li>□ <b>ADB068</b> AdBlue tank: usable volume 68 litres, 560 mm high, mounted on chassis side</li> <li>□ <b>ADB083</b> AdBlue tank: usable volume 83 litres, 560 mm high, mounted on chassis side</li> <li>□ <b>ADB090</b> AdBlue tank: usable volume 90 litres, 710 mm high, mounted on chassis side</li> <li>□ <b>ADB100</b> AdBlue tank: usable volume 100 litres, 710 mm high, mounted on chassis side</li> <li>□ <b>ADB112</b> AdBlue tank: usable volume 112 litres, 710 mm high, mounted on chassis side</li> <li>□ <b>ADTC-BF</b> AdBlue tank cover, silver metallic</li> <li>■ <b>FCAP-L</b> Lockable diesel and AdBlue filler caps</li> <li>■ <b>FUFF-AS</b> Fuel filling anti-spillage device</li> <li>■ <b>FUFF-ATS</b> Fuel filling anti-theft and anti-spillage device</li> <li>□ <b>ESH-LEFT</b> Horizontal silencer, left exhaust outlet</li> <li>■ <b>ESH-REAR</b> Horizontal silencer, rear exhaust outlet</li> <li>□ <b>ESV-VERT</b> Vertical silencer, vertical exhaust outlet on right-hand side</li> <li>□ <b>EXST-SSP</b> Vertical exhaust top pipe, bright polished stainless steel</li> <li>□ <b>EXST-ST</b> Vertical exhaust top pipe, aluminised steel</li> <li>□ <b>HS-NAR</b> Muffler heat shield (EATS), narrow</li> <li>□ <b>WHC-FIX2</b> Two non-collapsible wheel chocks</li> <li>□ <b>WHC-FOL2</b> Two collapsible wheel chocks</li> <li>□ <b>WHCP-F</b> Wheel chock holder in the front part of the vehicle</li> <li>□ <b>WHCP-M</b> Wheel chock holder in the middle part of the vehicle</li> <li>□ <b>WHCP-R</b> Wheel chock holder in the rear part of the vehicle</li> <li>□ <b>WHCP-T</b> Wheel chock holder by-packed in cab outer luggage compartment</li> <li>□ <b>TB-L80</b> Tool box on left-hand side, 205-litre - width 730 mm, height 590, depth 595 mm</li> <li>□ <b>TB-R80</b> Tool box on right-hand side, 205-litre - width 730 mm, height 590, depth 595 mm</li> <li>□ <b>SUP-BAS</b> Standard side underrun protection, aluminium</li> <li>□ <b>CHAIN-S</b> Snow chains</li> <li>□ <b>HOOK-SC</b> Snow chain hooks</li> <li>■ <b>TOWF-NO1</b> One front towing device</li> <li>□ <b>TOWF-NO2</b> Two front towing devices</li> <li>□ <b>TOWMBRL1</b> Towing member, low-mounted under frame</li> <li>□ <b>TOWMBRL2</b> Towing member, low and forward-mounted under frame</li> </ul>	<ul style="list-style-type: none"> <li>□ <b>TOWMBRM</b> Towing member, medium-mounted in line with lower frame flange</li> <li>□ <b>RFEC-L</b> Tapered lower rear frame end (for centre axle drawbar)</li> <li>■ <b>RFEC-S</b> Straight-cut rear frame end</li> <li>□ <b>RFEC-U</b> Upper corner cut on rear frame end (for e.g. tipper, refuse and hook lift applications)</li> <li>□ <b>C-RI4040</b> Coupling Ringfeder 4040A G-150</li> <li>□ <b>C-RI4045</b> Coupling Ringfeder 4045A G-150</li> <li>□ <b>C-RI5050</b> Coupling Ringfeder 5050A G-150</li> <li>□ <b>C-RO50</b> Coupling Rockinger 50 mm</li> <li>□ <b>C-VBG520</b> Coupling VBG 5200D</li> <li>□ <b>C-VBG795</b> Coupling VBG 795V</li> <li>□ <b>TOWR-ONE</b> Brace that can be used for towing in specific situations. The brace is mounted on the end cross member, and if the end cross member is thinner than 8 mm, it will be reinforced. The brace includes a lockable pin and is dimensioned for a 3-tonne centre-axle trailer or a 10-tonne articulated drawbar trailer. It may only be used for short-distance, on-site transport in confined areas and at speeds of a maximum of 30 km/h.</li> <li>■ <b>TREL-PK</b> Trailer electrical preparation kit (chassis/cab wiring)</li> <li>□ <b>TREL15</b> 15-pin trailer connection (ADR certified)</li> <li>□ <b>TREL7</b> 7-pin trailer connection (ISO 24N)</li> <li>□ <b>TREL7-7</b> 2x7-pin trailer connection (ISO 24N+24S, non-ADR)</li> <li>□ <b>TBC-EC</b> Trailer brake connection, European Community</li> <li>□ <b>TRBR-HCR</b> Reduced-pressure, hand-controlled trailer brake check (4 bar)</li> <li>□ <b>TRBR-STA</b> Stationary trailer brake check</li> <li>□ <b>TRB-STRE</b> Stretch brake, trailer brake activation at low speeds to avoid jack-knifing and improve stability</li> <li>□ <b>RUP-FOLD</b> Foldable and slidable aluminium rear underrun protection, not UN/ECE R58.03 compliant</li> <li>□ <b>RUP-FOSL</b> Foldable and slidable aluminium rear underrun protection, not UN/ECE R58.03 compliant</li> <li>□ <b>RFEND-B</b> Rear 3-piece mudguards (anti-spray) on all rear axles</li> <li>□ <b>RFH-BAS</b> Basic mudguard installation height on 2nd front axle and rear axles</li> <li>□ <b>RFH-HIG</b> High mudguard installation height on 2nd front axle and rear axles</li> <li>□ <b>RFH-LOW</b> Low mudguard installation height on 2nd front axle and rear axles</li> <li>□ <b>AUXATNK</b> Extra air tank for air suspension</li> <li>□ <b>ATANK-AL</b> Aluminium air tanks</li> <li>■ <b>ATANK-ST</b> Steel air tanks</li> <li>□ <b>TL-LED</b> LED tail lamps (tail light, exterior marker light, brake light, hazard warning light, reverse light, rear fog light, licence plate light and reflector)</li> <li>■ <b>BLIGHT-E</b> Flashing brake lights will automatically activate in emergency braking. The flashing frequency is 4 Hz and emergency braking is detected if speed exceeds 50 km/h and retardation is 4 m/s<sup>2</sup> or more. The function deactivates when retardation is less than 2.5 m/s<sup>2</sup>.</li> </ul>
--	---

■ Standard Equipment      □ Optional Equipment

For more detailed information about cab and powertrain equipment, please refer to separate specification sheets.

For all possible options and combinations of options please consult your Volvo sales contact who can create a specification to match your requirements using the Volvo Sales Support system (VSS).

The factory reserves the right to modify design and change equipment without previous notification. The specification can vary from country to country.

# MODEL RANGE

## FM D11 62 Rigid Tag Axle Diesel Rear Air FM 62R T1A

- **SWCP-T** Spare wheel transport-mounted on top of frame
- **SWCP-TP** Spare wheel and carrier transport-mounted on top of frame
- **JACK-12T** Hydraulic jack, 12 tonnes. Low manual pumping force facilitates use in uncomfortable positions. Has a release valve, which permits safe, easy and precise control over rate of lowering and a filter in the oil reservoir gives protection from contamination.  
Height 180-315 mm, weight 7.0 kg
- **JACK-15T** Hydraulic jack, 15 tonnes. Low manual pumping force facilitates use in uncomfortable positions. Has a release valve, which permits safe, easy and precise control over rate of lowering and a filter in the oil reservoir gives protection from contamination.  
Height 225-438 mm, weight 9.4 kg
- **JACK-20T** Hydraulic jack, 20 tonnes. Low manual pumping force facilitates use in uncomfortable positions. Has a release valve, which permits safe, easy and precise control over rate of lowering and a filter in the oil reservoir gives protection from contamination.  
For FM: Height 190-325 mm, weight 10.5 kg  
For FH: height 240-467 mm, weight 13.3 kg
- **TOOLKIT** This kit consists of a tool bag (case) including the following tools:
  - Combination screwdriver.
  - 1 screwdriver handle
  - 1 blade, Philips/flat blade
  - 1 blade, Torx T10/Torx T20
  - 1 blade, Torx T25/Torx T27
  - 1 blade, Torx T30/Torx T40
  - Socket wrench.
  - Adjustable pliers.
  - Allen key.
  - Adjustable spanner.
  - Hammer.
- **INFLAHOS** Tyre inflation hose 18 m. The air is supplied by a chassis-mounted pneumatic outlet (must be ordered separately).
- **GAUGE-TP** Tyre pressure gauge
- Powertrain equipment**
- **TRAP-HD** Reinforced gearbox range housing
- **DRM-BE** I-Shift drive modes Economy, Standard and Performance
- **DRM-E** I-Shift drive mode Economy
- **PVT-BAS** I-See
- **CRUIS-E** I-Cruise cruise control, I-Roll included
- **AMSO-AUT** I-Shift manual gear shifting available in automatic mode, including kick-down function
- **AVO-ENH** I-Shift with enhanced software for construction and off-road applications
- **APF-ENH** I-Shift with enhanced PTO functions (Auto neutral for p. brake/Reverse inhibit/Split box connection)
- **RET-TH** Gearbox-mounted, hydrodynamic oil retarder
- **RET-TP** Gearbox-mounted Powertronic primary retarder
- **TC-HWO** Cooler for hydraulic gearboxes - water/oil
- **TC-MAOH2** Extra high performance cooler for manual/I-shift gearboxes - air/oil
- **TC-MWO** Basic performance cooler for manual/I-Shift gearboxes - water/oil
- **TC-MWOH2** High performance cooler for manual/I-Shift gearboxes - water/oil
- **2COM1080** Dual-cylinder air compressor 704 cc, 1080 l/min
- **2COM1100** Dual-cylinder air compressor 760 cc, 1100 l/min
- **2COMP870** Dual-cylinder, two-stage air compressor 560 cc, 870 l/min
- **2COMP900** Dual-cylinder air compressor 636 cc, 900 l/min
- **CLU-AIRC** Air compressor clutch with automatic declutching when not needed, to save fuel
- **AIRIN-HI** High air inlet
- **AIRIN-LO** Low air inlet
- **ACL1ST-S** Air cleaner with extra filter element
- **24A110BL** Alternator 110 Ampere
- **24A150BL** Alternator 150 Ampere
- **24A180BL** Alternator 180 Ampere
- **24AL110B** Alternator 110 Ampere
- **24AL150B** Alternator 150 Ampere
- **CCV-C** Closed crankcase ventilation
- **CCV-O** Open crankcase ventilation
- **PRIM-EL** Electrical priming pump for removal of air in the fuel system
- **PRIM-MAN** Manual priming pump for removal of air in the fuel system
- **FUEQ-EH** Fuel line electric heater
- **AF-E** Electrically heated fuel filter
- **AF-R** Hot fuel recirculation heated fuel filter
- **FUEFE2LW** Large engine-mounted dual fuel filter with water separator and drain
- **FUEFE2SW** Small engine-mounted dual fuel filter with water separator and drain (for good fuel quality)
- **EST-AID** Engine intake air heater
- **220EBH15** Engine block heater, 220 V, 1.5 kW
- **PTER-100** Rear engine, clutch-independent PTO, flange connection, DIN 100/ISO 7646
- **PTER-DIN** Rear engine, clutch-ind. PTO, splined shaft groove (fem), close-coupled pump DIN 5462/ISO7653
- **HPE-F101** Engine-mounted hydraulic pump F1-101, fixed displacement, single flow
- **HPE-F41** Engine-mounted hydraulic pump F1-41, fixed displacement, single flow
- **HPE-F51** Engine-mounted hydraulic pump F1-51, fixed displacement, single flow
- **HPE-F61** Engine-mounted hydraulic pump F1-61, fixed displacement, single flow
- **HPE-F81** Engine-mounted hydraulic pump F1-81, fixed displacement, single flow
- **HPE-T53** Engine-mounted hydraulic pump F2-53/53, fixed displacement, twin flow
- **HPE-T70** Engine-mounted hydraulic pump F2-70/35, fixed displacement, twin flow
- **HPE-V45** Engine-mounted hydraulic pump VP1-45, variable displacement, single flow
- **HPE-V75** Engine-mounted hydraulic pump VP1-75, variable displacement, single flow
- **PTPT-D** Gearbox PTO, 1 front/upper connection DIN 5462/ISO 7653 for plug-in pump, 850 Nm
- **PTPT-F** Gearbox PTO, 1 front/upper rear flange connection SAE 1410/ISO 7647 for propshaft, 850 Nm
- **PTR-D** Gearbox low-speed PTO, 1 rear connection DIN 5462/ISO 7653 for plug-in pump, 1000 Nm
- **PTR-DH** Gearbox high-speed PTO, 1 rear connection DIN 5462/ISO 7653 for plug-in pump, 600 Nm
- **PTR-DM** Gearbox medium-speed PTO, 1 rear connection DIN 5462/ISO 7653 for plug-in pump, 600 Nm
- **PTR-F** Gearbox low-speed PTO, 1 rear flange connection SAE 1410/ISO 7647 for propshaft, 1000 Nm
- **PTR-FH** Gearbox high-speed PTO, 1 rear flange connection SAE 1310/ISO 7647 for propshaft, 600 Nm
- **PTR-FL** Gearbox low-speed PTO, 1 rear flange connection SAE 1310/ISO 7647 for propshaft, 600 Nm
- **PTRD-D** Gearbox high-speed PTO, 1 rear + 1 front DIN 5462/ISO 7653 for plug-in pumps, 870 Nm
- **PTRD-D1** Gearbox high-speed PTO, 1 rear SAE 1410/ISO 7647, 1 front DIN5462/ISO7653, 870 Nm
- **PTRD-D2** Gearbox PTO, 2 rear hi/lo-speed SAE1310/1410/ISO7647, 1 front hi-speed DIN5462/ISO7653, 870/1000 Nm
- **PTRD-F** Gearbox high-speed PTO, 1 rear flange connection SAE 1410/ISO 7647 for propshaft, 870 Nm
- **HPG-F81** Gearbox-mounted hydraulic pump F1-81, fixed displacement, single flow

### Cab Interior, Driving

- Standard Equipment
- Optional Equipment

For more detailed information about cab and powertrain equipment, please refer to separate specification sheets.

For all possible options and combinations of options please consult your Volvo sales contact who can create a specification to match your requirements using the Volvo Sales Support system (VSS).

The factory reserves the right to modify design and change equipment without previous notification. The specification can vary from country to country.

# MODEL RANGE

## FM D11 62 Rigid Tag Axle Diesel Rear Air FM 62R T1A

<ul style="list-style-type: none"> <li>■ <b>STWPOS-L</b> Left-hand drive</li> <li>□ <b>STWM-LE</b> Steering wheel material leather</li> <li>□ <b>STGW-AD2</b> Manually adjustable steering wheel with neck tilt</li> <li>■ <b>STGW-ADJ</b> Manually adjustable steering wheel</li> <li>□ <b>AIRBAG</b> Airbag on driver's side</li> <li>□ <b>DRC-AMII</b> Regeneration control for DPF, initiation: automatic or manual, inhibition: manual</li> <li>■ <b>DRC-AUTO</b> Regeneration control for DPF, fully automatic (in motion)</li> <li>□ <b>1DAYB</b> One-day analogue tachograph, basic</li> <li>■ <b>TAC-PK2</b> Preparation kit for tachograph</li> <li>□ <b>ARSL</b> Additional road speed limiter control (switch in dashboard)</li> <li>■ <b>ESP-BAS1</b> ESP for tractor combinations with ABS/EBS or rigid vehicles/combinations with std center of gravity</li> <li>□ <b>ESPC-RO</b> Electronic stability program functionality control, switch - On/Reduced/Off</li> <li>□ <b>HWSS-ACB</b> Adaptive cruise control with forward collision warning (stationary and moving objects) and emergency braking. Using both radar and camera to collect info.</li> <li>□ <b>HWSS-FCB</b> Collision Warning with Emergency Brake (forward)</li> <li>□ <b>LSS-DW</b> Lane Keeping Support - lane departure warning</li> <li>□ <b>LSS-DW3</b> Pilot Assist - active, continuous lane keeping</li> <li>□ <b>LCS2</b> Side Collision Avoidance Support, passenger side collision warning (sound and visual information), passenger side</li> <li>■ <b>LCS4</b> Side Collision Avoidance Support, side collision warning, both sides</li> <li>■ <b>DAS-W</b> Driver Alert Support</li> <li>□ <b>RSSENS-W</b> Wipers rain sensor</li> <li>■ <b>CU-ECC</b> Automatic climate control with sun sensor</li> <li>□ <b>CU-ECC2</b> Automatic climate control with sun sensor, humidity sensor, air quality sensor and carbon filter</li> <li>□ <b>CU-MCC</b> Manual climate control (heater/cooler function)</li> <li>■ <b>IGT-BUT</b> Push button ignition</li> <li>■ <b>IMMOBIL</b> Immobiliser</li> <li>□ <b>ALARM-E</b> Anti-theft alarm for cab, superstructure and trailer</li> <li>□ <b>PHONE-PK</b></li> <li>□ <b>ISUNS-BS</b> Side interior roller blind on both sides, manually manoeuvred</li> <li>■ <b>ISUNS-DS</b> Side interior roller blind on driver's side, manually manoeuvred</li> <li>□ <b>ISUNF-RE</b> Interior roller blind, integrated in front shelf, electrically manoeuvred</li> <li>■ <b>ISUNF-RM</b> Interior roller blind, integrated in front shelf, manually manoeuvred</li> <li>□ <b>ADFS</b> Two extra DIN slots in front shelf, 165x40x180 mm (W x H x D)</li> <li>■ <b>BUPALARM</b> Reversing warning</li> <li>□ <b>LOADIND</b> Load indicator, shown in instrument display and side display</li> <li>□ <b>REMC-MF</b> Wireless remote control, multi-functional</li> <li>■ <b>FIREXT3S</b> Fire extinguisher 3 kg, Swedish/English decal</li> <li>□ <b>WARNVEST</b> Reflective vest, fulfils European standard EN 471 class 2</li> <li>■ <b>WARNTRI2</b> Two warning triangles</li> <li>□ <b>AIDKIT</b> First aid kit containing sticking plaster, washing and drying pads, compresses, elastic bandages, respiratory mask, gloves and scissors.</li> <li>■ <b>WRITEPAD</b> Writing pad with paper clamp</li> </ul>	<ul style="list-style-type: none"> <li>■ <b>DST-CF6</b> Driver's seat Comfort, belt in seat, heated, ventilated</li> <li>□ <b>DST-STD2</b> Driver's seat Standard, belt in seat</li> <li>□ <b>SBD-RED</b> Red safety belts, passenger and driver seats</li> <li>□ <b>SBPRE-DS</b> Driver's seat belt pretensioner</li> <li>□ <b>PST-BAS1</b> Passenger seat Basic, non-suspended</li> <li>□ <b>PST-CF4</b> Passenger seat Comfort, suspended, belt in seat</li> <li>□ <b>PST-CF5</b> Passenger seat Comfort, suspended, belt in seat, electrically heated</li> <li>■ <b>PST-STD2</b> Passenger seat Regular, non-suspended</li> <li>□ <b>PST-STD4</b> Passenger seat Regular, suspended</li> <li>□ <b>SBPRE-PS</b> Passenger seat belt pretensioner</li> <li>□ <b>ARMRE-BB</b> Two armrests on both driver's and passenger seats</li> <li>□ <b>ARMRE-DB</b> Two armrests on driver's seat</li> <li>□ <b>ARMRE-PB</b> Two armrests on passenger seat</li> <li>□ <b>ARU-BAS</b> Vinyl armrest upholstery</li> <li>□ <b>ARU-LEA</b> Leather armrest upholstery</li> <li>■ <b>FMAT-RUB</b> Black rubber floor mats</li> <li>□ <b>FMAT-TX2</b> Two textile (dark grey on FH/FM/FMX, black on FH16) and two black rubber floor mats</li> <li>□ <b>LBK70</b> Lower fixed bed 2000x700 mm, non-foldable, safety net included</li> <li>□ <b>MATL-FI</b> Mattress lower bed firm, pocket springs, recommended for body weight over 100 kg</li> <li>□ <b>MATL-SF</b> Mattress lower bed semi-firm, pocket springs, recommended for body weight up to 100 kg</li> <li>□ <b>OLMAT-BA</b> Overlay mattress, 28 mm thick black textile</li> <li>□ <b>OLMAT-PR</b> Overlay mattress Premium, 35 mm thick black textile</li> <li>□ <b>TBK60F</b> Fixed top bed 600x1900 mm, foldable up to 52° (depending on cab &amp; upper storage), net included</li> <li>□ <b>TBK70F</b> Fixed top bed 700x1900 mm, foldable up to 52° (depending on cab &amp; upper storage), net included</li> <li>□ <b>PH-CAB2</b> Cab parking heater, 2 kW</li> <li>□ <b>PH-ENGCA</b> Engine and cab parking heater</li> <li>□ <b>PH-SS</b> Short stop cab heater</li> <li>□ <b>SLCP-BAS</b> Basic sleeper control panel (interior light, parking heater, roof hatch, door locks)</li> <li>□ <b>ETSB-FRS</b> Storage at front of engine tunnel and immersed in RH side of tunnel</li> <li>□ <b>ETSB-FS</b> Storage at back of engine tunnel, at back against rear cab wall and immersed in RH side of tunnel</li> <li>□ <b>ETSB-S</b> Storage immersed in RH side of engine tunnel</li> <li>□ <b>RUS-BAS</b> Storage in rear upper cab, 154 litres (300 mm high)</li> <li>□ <b>RUS-HIG</b> Storage in rear upper cab, 245 litres (440 mm high)</li> <li>□ <b>REF-ICPK</b> Preparation kit for refrigerator</li> <li>□ <b>REFR-RUS</b> Refrigerator 28-litre, with dividers, on rear upper wall</li> <li>□ <b>MICRO-PK</b> Preparation kit for microwave oven (electrical cables to front shelf)</li> <li>□ <b>BOTH-D</b> One bottle holder under dashboard centre section</li> <li>□ <b>COFMA-PK</b> Preparation kit (24 V) for coffee maker</li> <li>■ <b>INLI-BAS</b> Interior white light with smooth light transition at on/off, no dimming</li> <li>□ <b>INLI-NL</b> Interior white and red (night) light with smooth light transition at on/off</li> <li>□ <b>INLI-NLD</b> Interior white and red (night) light with smooth light transition at on/off and dimmer</li> <li>□ <b>ARL-FLEX</b> Two (driver and passenger side) LED reading lamps with flexible arms, mounted on sidewalls</li> <li>■ <b>RH-EE</b> Roof skylight/emergency exit, tinted glass (not a hatch)</li> <li>□ <b>RH-ER</b> Roof hatch, electrically operated, steel, with emergency exit handle</li> <li>□ <b>RH-ETR</b> Roof hatch, electrically operated, tinted glass, rear opening 50 mm</li> </ul>
--	--

### Cab Interior, Living

- **DST-CF1** Driver's seat Comfort
- **DST-CF4** Driver's seat Comfort, belt in seat
- **DST-CF5** Driver's seat Comfort, belt in seat, heated, adjustable lumbar&side support, extendable seat cushion

■ Standard Equipment                      □ Optional Equipment

For more detailed information about cab and powertrain equipment, please refer to separate specification sheets.

For all possible options and combinations of options please consult your Volvo sales contact who can create a specification to match your requirements using the Volvo Sales Support system (VSS).

The factory reserves the right to modify design and change equipment without previous notification. The specification can vary from country to country.

# MODEL RANGE

## FM D11 62 Rigid Tag Axle Diesel Rear Air FM 62R T1A

<ul style="list-style-type: none"> <li>□ <b>RH-MTR</b> Roof hatch, manually operated, tinted glass, rear opening 50 mm</li> <li>■ <b>GLAS-TIN</b> Tinted windows</li> <li>□ <b>SWIND-BS</b> Rear side window on both sides</li> <li>□ <b>SWIND-PS</b> Rear side window on passenger side</li> <li>□ <b>AWIND-RF</b> Fixed window in back of cab (without curtains)</li> <li>□ <b>VANMIR</b> Vanity mirror in front shelf lid</li> <li>□ <b>AS-FUS</b> One extra shelf in each of the two front upper storage compartments</li> <li>□ <b>INFOT-PK</b> Preparation kit (bracket, security straps, and antenna cable) for mounting of TV above driver door</li> </ul>	<ul style="list-style-type: none"> <li>□ <b>BEACOA2F</b> Two amber LED beacons on cab front roof</li> <li>□ <b>BEACOA2R</b> Two amber LED beacons on cab rear roof</li> <li>□ <b>BEACON-P</b> Preparation kit for roof beacons</li> <li>□ <b>BEACONA4</b> Four amber LED beacons on roof - two on front, two on rear</li> <li>□ <b>CABPT-R1</b> One front cab roof pass-through on passenger side</li> <li>■ <b>CABPT-R2</b> Two front cab roof pass-throughs, one on each side</li> <li>□ <b>SPOTP-F</b> Preparation kit for spot lamp in cab front, max 280 W</li> <li>□ <b>SPOTP-R</b> Preparation kit for spot lamp in cab roof, max 280 W</li> <li>□ <b>SPOTP-RF</b> Preparation kit for spot lamp in cab roof and front, max 280 W</li> <li>□ <b>ROS-IL2</b> Preparation kit for installation of roof sign illumination</li> <li>□ <b>CSGN-GTR</b> Globetrotter decal in the roof sign box</li> <li>■ <b>HORN-F1S</b> Single-tone Jericho horn behind grille, operated by steering wheel buttons</li> <li>□ <b>ANT-CBR</b> Preparation kit for communication/CB radio: roof-mounted single antenna and wiring</li> <li>□ <b>ACCBR-AP</b> Accessory brackets mounted on front roof, midroof and rear roof</li> <li>□ <b>ACCBR-F</b> Accessory bracket mounted on front roof</li> <li>□ <b>ACCBR-FM</b> Accessory brackets mounted on front roof and midroof</li> <li>□ <b>ACCBR-FR</b> Accessory brackets mounted on front and rear roof</li> <li>□ <b>ACCBR-M</b> Accessory bracket mounted on midroof</li> <li>□ <b>ACCBR-R</b> Accessory brackets mounted on mid-roof and rear roof</li> <li>□ <b>ACCBR-RM</b> Accessory bracket mounted on rear roof</li> </ul>
<h3>Cab exterior</h3>	
<ul style="list-style-type: none"> <li>□ <b>EXTL-BA2</b> Exterior trim level basic 2</li> <li>■ <b>EXTL-BAS</b> Exterior trim level basic</li> <li>■ <b>DGLAS-H</b> Tempered door window glass</li> <li>□ <b>DGLAS-L</b> Laminated window glass in doors. The glass can crack, but retains its protective effect. It also provides better sound insulation.</li> <li>■ <b>BUMP-B</b> Plastic front bumper</li> <li>■ <b>BUMP-B2</b> Steel front bumper</li> <li>□ <b>BUMP-SP</b> Front bumper spoiler</li> <li>□ <b>GUARD-EH</b> Guard plate for cooling pipes and oil sump</li> <li>■ <b>BUGNET</b> Insect screen (PVC-coated fibreglass) in front of radiator</li> <li>□ <b>CTLTP-E</b> Electric cab tilt pump</li> <li>■ <b>CTLTP-M</b> Manual cab tilt pump</li> <li>□ <b>FCABS-A</b> Air front cab suspension</li> <li>■ <b>FCABS-M</b> Mechanical front cab suspension</li> <li>□ <b>RCABS-A</b> Air rear cab suspension</li> <li>■ <b>RCABS-M</b> Mechanical rear cab suspension</li> <li>■ <b>MIRCFCPS</b> Rear-view and wide-angle mirrors (both sides), passenger corner camera (FM, FH)</li> <li>□ <b>MIRCMCP</b> Camera Monitor System and passenger corner camera</li> <li>□ <b>MIRCMS</b> Camera Monitor System</li> <li>□ <b>MIRCOMF</b> Rear-view and wide-angle mirrors (both sides), kerb observation mirror</li> <li>■ <b>AMIR-F20</b> Front close-view mirror above windscreen, passenger side (radius 200 mm)</li> <li>□ <b>SUNV-H</b> Exterior front sun visor, transparent dark-grey</li> <li>□ <b>AD-ROOF</b> Roof air deflector</li> <li>□ <b>AD-SIDES</b> Cab side air deflectors, short</li> <li>□ <b>HL-BASIC</b> Halogen H7 headlamps</li> <li>■ <b>HL-LED</b> LED headlamps</li> <li>□ <b>HBDA-A</b> Automatic main beam deactivation and reactivation</li> <li>■ <b>HL-CLEAN</b> High-pressure headlamp cleaner</li> <li>□ <b>HLP-ST</b> Steel headlamp protectors (steel and plastic for FMX)</li> <li>□ <b>HL-ADJ</b> Manually adjustable headlamp beam</li> <li>■ <b>DRL-LED</b> Daytime running lamps (LED)</li> <li>□ <b>UDRL</b> Without daytime running lamps (LED)</li> <li>□ <b>DRIVL2</b> Extra main beam</li> <li>■ <b>UDRIVL</b> Without extra main beam</li> <li>■ <b>FOGL-WC</b> White front fog lamps</li> <li>□ <b>CL-STAT</b> Static cornering lights</li> <li>□ <b>ASL-RF2</b> Two LED spot lamps in sign box</li> <li>□ <b>IDLAMP-A</b> Three amber identification lamps on mid front roof</li> <li>□ <b>IDLAMP-W</b> Three white identification lamps on mid front roof</li> <li>□ <b>IDLMPSW</b> Switch in cab for identification lamps</li> </ul>	<h3>Superstructure preparations</h3> <ul style="list-style-type: none"> <li>□ <b>CROSSRE</b> Cross reinforcement of frame for swap body</li> <li>□ <b>SRWL-PK</b> Preparation kit for LED reverse/work lamps at rear chassis, 3-pos switch (On/Off/Reverse auto On)</li> <li>□ <b>SWL-2FW</b> 2 white LED work lamps at front of chassis, and a 2-position switch (On/Off)</li> <li>□ <b>SWL-2RW</b> 2 white LED work lamps, rearward-facing on rear chassis (LH/RH side)</li> <li>□ <b>SWL-4W</b> 4 white LED work lamps on chassis (2 front, 2 rear) and a flexible switch (On/Off)</li> <li>□ <b>SWL-PK</b> Preparation kit for LED work lamps on chassis, with a 2-pos switch (On/Off)</li> <li>□ <b>WL-CHPK</b> Preparation kit for work lamp (switch with cable to frame, by gearbox)</li> <li>□ <b>WLC-H2A</b> 2 white LED work lamps, high-mounted on back of cab (switch included)</li> <li>□ <b>WLC-H2W</b> Preparation kit (cables and switch) for work lamp inside or outside superstructure</li> <li>□ <b>WLC-PKCH</b> Preparation kit (cables and switch) for high-mounted work lamps on back of cab</li> <li>□ <b>WLC-PKH</b> Preparation kit (cables and switch) for low-mounted work lamps on back of cab</li> <li>□ <b>WLC-PKLH</b> Preparation kit (cables and switch) for low- and high-mounted work lamps on back of cab</li> <li>□ <b>ECBB-BAS</b> Body builder electrical centre, prepared for body builder module</li> <li>□ <b>ECBB-HIG</b> Body builder electrical centre, body builder module with 14 high and 4 low digital outlets</li> <li>■ <b>ECBB-MED</b> Body builder electrical centre, body builder module with 7 high and 4 low digital outlets</li> <li>□ <b>BBCHAS1</b> One 7-pole bodywork connector on chassis</li> <li>□ <b>BBCHAS3</b> Three 7-pole bodywork connectors on chassis</li> <li>□ <b>BEPR-T2</b> Bodywork electrical and software preparation for tipper with remote control</li> <li>□ <b>EXSTER</b> Support for external steering control via body builder module</li> <li>□ <b>TD-LED</b> TD-LED detects trailers that have either bulb lights or LED lights. Continuous monitoring of the trailer connection status allows optimization of gear shifting and systems like Electronic Stability Program (ESP). Full diagnostics are available for bulb lights, while for LED lights the system cannot identify an "open circuit".</li> </ul>
<ul style="list-style-type: none"> <li>■ Standard Equipment</li> <li>□ Optional Equipment</li> </ul>	

For more detailed information about cab and powertrain equipment, please refer to separate specification sheets.

For all possible options and combinations of options please consult your Volvo sales contact who can create a specification to match your requirements using the Volvo Sales Support system (VSS).

The factory reserves the right to modify design and change equipment without previous notification. The specification can vary from country to country.

# MODEL RANGE

## FM D11 62 Rigid Tag Axle Diesel Rear Air FM 62R T1A

---

- FRFS-BS** Frame rail free space on both sides to give space for crane legs or other equipment
- FBA-BTF** Front body attachment brackets, lower, for flexible body
- FBA-BTSF** Front body attachment brackets, lower, for semi-flexible body
- **HBA-FSFB** Holes for body attachments, flexible/semi-flexible body
- HBA-SB** Holes for body attachments, stiff body
- RBA-T2** Rear body attachment brackets, lower
- CRANEPK1** Frame-mounted crane interface plates, up to 10 tonne-metres
- CRANEPK2** Frame-mounted crane interface plates, up to 20 tonne-metres
- CRANEPK4** Frame-mounted crane interface plates, up to 40 tonne-metres
- AUXL-SPK** Preparation kit (wiring and a switch in dashboard) for snow plough lamps
- TAILPRE2** Tail lift preparation kit, wireless remote operation
- TAILPREP** Tail lift preparation kit
- AESW2** 2 bistable bodywork switches (marked AUX1/AUX2)
- AESW2PK** 2 bistable bodywork switches (marked AUX1/AUX2) + prepared for 4 bistable switches (dummy switches)
- AUXSW-4** Hardwiring for 4 extra switches (from body builder electrical centre to instrument panel)

### Services

- **TGW-4GWL** Telematics gateway with 4G modem and WLAN
- TGW-PK** Telematics gateway preparation kit
- DRUT1** My Truck service/app (remote vehicle status, alerts and control), 1-year prepaid subscription
- DRUT2** My Truck service/app (remote vehicle status, alerts and control), 2-year prepaid subscription
- DRUT3** My Truck service/app (remote vehicle status, alerts and control), 3-year prepaid subscription
- DRUT4** My Truck service/app (remote vehicle status, alerts and control), 4-year prepaid subscription
- DRUT5** My Truck service/app (remote vehicle status, alerts and control), 5-year prepaid subscription
- TSRS2** Road sign recognition (not ISA compliant)