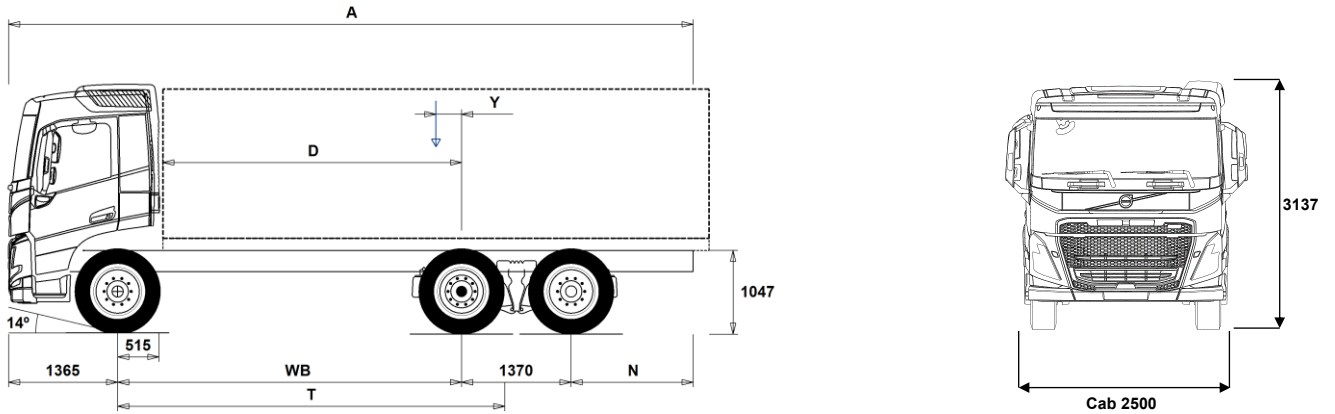


MODEL RANGE

FM 11 6x2 Tag Rigid - Rear Air Suspension FM 62R T1A



Chassis Dimensions [mm]

WB Wheelbase	3500	3700	3900	4300	4600	4800	4900	5200	5600	6000
A Overall Chassis Length	8160	8460	8760	9410	9860	10160	10310	10810	11410	12060
D Center of rear axle to front of body	2935	3135	3335	3735	4035	4235	4335	4635	5035	5435
N Rear Overhang (Min.)	825	825	825	825	825	825	825	1225	1225	1225
N Rear Overhang (Max.)	1925	2025	2125	2375	2525	2625	2675	2875	3075	3325
T Theoretical Wheelbase	4041	4241	4441	4841	5141	5341	5441	5741	6141	6541
Y Center of Gravity for Payload (Min.)	42	69	96	148	186	213	227	267	316	368
Y Center of Gravity for Payload (Max.)	257	295	333	407	463	500	520	576	649	724

Chassis Weights [kg]

Front Axle	4325	4335	4345	4375	4395	4400	4405	4415	4440	4460
Rear Bogie	2920	2930	2940	2985	3015	3025	3035	3055	3090	3130
Kerb Weight	7245	7265	7285	7360	7410	7425	7440	7470	7530	7590
Payload (including body, driver, fuel, etc.)	18755	18735	18715	18640	18590	18575	18560	18530	18470	18410

Turning Diameter [mm]

Turning Circle Diameter Kerb to Kerb	15000	15700	16300	17600	18600	19200	19500	20500	21800	23100
Turning Circle Diameter Wall to Wall	16400	17000	17700	19000	19900	20600	20900	21900	23100	24400

Plated Weights [kg]

	Plated	Design
Gross Vehicle Weight	26000	27000
Gross Combination Weight	26780	44000
Front Axle	8000	8000
Rear Bogie	19000	19000

Important Notes

Chassis Dimensions

Cab Height: +328 mm for CAB-HSLP, -262 mm for CAB-LDAY, -262 mm for CAB-LSLP, +16 mm for CAB-SLP.

Front Axle to Back of Cab: +431 mm for CAB-HSLP and CAB-SLP, -69 mm for CAB-LDAY, +425 mm for CAB-LSLP.

D-measure includes a front clearance of 50 mm and for rigid trucks also a subframe of 100 mm.

Height can vary ± 20 mm for leaf and ± 10 mm for air suspension.

All dimensions are for unladen chassis and any tag axles down. Chassis height used: CHH-HIGH.

Rear overhang used for vehicle weight calculation is the maximum rear overhang (N Max.) for selected wheelbase.

Height change when chassis height CHH-MED,FRAME266: 0 mm.

Weight and dimensions are based upon the following tyres:

Front Axle Tyres:	315/80R22.5
Drive Axle Tyres:	315/80R22.5
Trailing/Pusher Axle Tyres:	315/80R22.5

Chassis weight includes oil, water, AdBlue, 0 litres fuel and without driver. Kerb weight can vary ± 3%.

Turning diameters are theoretically calculated. Tag axle used: TA-FIXED.

Legal weights can differ from country to country.

For more detailed weight information, including optional equipment weights, ask your Volvo sales contact to enter your specification into the Volvo Weight Information system (WIS).

Do NOT use this drawing for bodybuilding. Refer to Volvo Bodybuilder Instructions and chassis assembly drawing FM62RT1A.

MODEL RANGE

FM 11 6x2 Tag Rigid - Rear Air Suspension FM 62R T1A

TRUCK USE

- RC-ROUGH** Road conditions - On / off-road
- RC-SMOOT** Road Conditions - Smooth
- GARB-PRE** Transport Adaption - Refuse preparation
- SWAPBODY** Transport Adaption - Swap body vehicle preparation
- TIPP-PRE** Transport Adaption - Tipper vehicle preparation
- UNIFORM** Transport Adaption - Basic platform vehicle

CORE COMPONENTS

- CHH-HIGH** Chassis height - High - for loading heights check the unique BEP chassis drawing attached to this quote
- CHH-LOW** Chassis height - Low - for loading heights check the unique BEP chassis drawing attached to this quote
- CHH-MED** Chassis height - Medium - for loading heights check the unique BEP chassis drawing attached to this quote
- TA-HYSB2** Tag axle - Electro-hydraulically steered
- TAG-FIXD** Tag axle - Fixed with twin tyres on tag axle
- TAG-FIXS** Tag axle - Fixed with single tyres on tag axle
- RADT-GR** Rear air suspension, 2 axles - 1 driven/1 tag
- FM-CREW** Cab - Four-door crew for up to 9 people
- FM-DAY6** Cab - Day - with steel safety cage design
Designed and built to Swedish impact and ECE R29 regulations
- FM-HSLP6** Cab - Globetrotter sleeper, with steel safety cage design
Designed and built to Swedish impact and ECE R29 regulations
- FM-LDAY6** Cab - Low Day - with steel safety cage design
Designed and built to Swedish impact and ECE R29 regulations
- FM-LSLP6** Cab - Low sleeper, with steel safety cage design
Designed and built to Swedish impact and ECE R29 regulations
- FM-SLP6** Cab - Sleeper, with steel safety cage design
Designed and built to Swedish impact and ECE R29 regulations
- EU6SCR** Emission level - Euro VI step E
- D11S330A** Engine - New D11K330 10.8 litre engine developing 330hp at 16-1900rpm.
Peak torque 1600Nm at 950-1400rpm.
- D11S380A** Engine - New D11K380 10.8 litre engine developing 380hp at 17-1900rpm.
Peak torque 1800Nm at 950-1400rpm.
- D11S430A** Engine - New D11K430 10.8 litre engine developing 430hp at 17-1800rpm.
Peak torque 2050Nm at 1058-1400rpm.
- D11S460A** Engine - New D11K460 10.8 litre engine developing 460hp at 16-1800rpm.
Peak torque 2200Nm at 1050-1400rpm.
- D11K330** Engine - D11K330 10.8 litre engine developing 330hp at 16-1900rpm.
Peak torque 1600Nm at 950-1400rpm.
- D11K380** Engine - D11K380 10.8 litre engine developing 380hp at 17-1900rpm.
Peak torque 1800Nm at 950-1400rpm.
- D11K430** D11K430 10.8 litre engine developing 430hp at 17-1800rpm.
Peak torque 2050Nm at 1058-1400rpm.
- D11K460** D11K460 10.8 litre engine developing 460hp at 16-1800rpm.
Peak torque 2200Nm at 1050-1400rpm.
- EBR-EPG** Engine brake type - Exhaust brake controlled by steering column switch
- EBR-EPGC** Engine brake type - Exhaust pressure governor for I shift gearbox
- EBR-VEB** Engine brake type - Volvo engine brake and exhaust pressure governor retardation 300kW
- AT2612** Gearbox - AT2612 12-speed "I-Shift" automated mechanical suitable for gross train weights up to 60 tonne only.
Refer to sales engineering when used in conjunction with a PTO
- ATO2612** Gearbox - ATO2612F 12-speed I-Shift overdrive automated mechanical, suitable for gross train weights up to 100 tonne.

Standard Equipment Optional Equipment

For more detailed information about cab and powertrain equipment, please refer to separate specification sheets.

For all possible options and combinations of options please consult your Volvo sales contact who can create a specification to match your requirements using the Volvo Sales Support system (VSS).

The factory reserves the right to modify design and change equipment without previous notification. The specification can vary from country to country.

- PT2106** Refer to sales engineering when used in conjunction with a PTO
Gearbox - Powertronic automatic 6-speed, max. engine torque 2100 Nm, max. permitted GCW 100000 kg
- RSH1370F** Drive axle - RSH1370F 13-tonne hub reduction with differential lock - design GCW 70 tonne
- RSS1344F** Drive axle - RSS1344F single reduction with differential lock, design GCW 44 tonne
- RSS1352B** Drive axle - RSS1352B single reduction 13 tonne with differential lock - design GCW 52 tonne
- RSS1370B** Drive axle - RSS1370B single reduction 13 tonne with differential lock - design GCW 70 tonne
- RSS1370C** Drive axle - RSS1370C single reduction 13 tonne with differential lock - design GCW 70 tonne

PACKAGES

- NCAP2024** Euro NCAP safety package - Advanced driver assist safety package with 5 star rating equivalence
- DRIV-EXT** Cab package - Drive Extended
- DRIV-SEL** Cab Package - Drive Select
- 1LIVINFM** Sleep & Resting Package - Living one-bed
- 2LIVINFM** Sleep & Resting Package - Living two-bed
- INFOHIGH** Media Information Platform - Medium level
- SAFE-EXT** Safety Package - Extended
- SAFE-SEL** Safety Package - Select
- CHASPAC** Chassis Package Rigid

CHASSIS

- FST-AIR** Front suspension type - Air
- FST-PAR** Front suspension type - 2 leaf parabolic springs
- FST-PAR3** Front suspension type - 3 leaf parabolic springs
- FST-PL1** Front suspension type - Lightweight 2 leaf parabolic springs - top leaf steel - lower composite
- FSLs-BAS** Front suspension levelling - basic stroke
- FSLs-HI** Front suspension levelling - high stroke for demount operations - check with bodybuilder
- FAL10.0** Front axle design capacity - 10 tonne - check tyre capacity
- FAL8.0** Front axle design capacity - 8.0 tonne - check tyre capacity
- FAL8.5** Front axle design capacity - 8.5 tonnes
- FAL9.0** Front axle design capacity - 9.0 tonne - check tyre capacity
- FSTAB** Front anti-roll bar - Normal stiffness
- FSTAB2** Front anti-roll bar - Medium stiffness
- FSTAB3** Front anti-roll bar - High stiffness
- RSLs-BAS** Rear air suspension basic levelling stroke
- RSLs-HI** Rear air suspension high levelling stroke
- RAL19** Rear bogie design capacity - 19 tonne
- RAL20.5** Rear bogie design capacity - 20.5 tonne
- RAL22.5** Rear bogie design capacity - 22.5 tonne
- RAL23** Rear bogie design capacity - 23 tonne
- RSTAB2** Rear anti-roll bar - Medium stiffness
- RSTAB3** Rear anti-roll bar - Stiff
- RALIM105** Rear-axle load limiter - 10.5 tonne - speed controlled
- RALIM115** Rear-axle load limiter -11.5 tonne - speed controlled
- RALIM95** Rear-axle load limiter - 9.5 tonne
- ASF-DL1** Air suspension with 1 driving level
- ASF-DL3** Air suspension with 3 driving levels
- ACTST-TO** Active Steering- Volvo Dynamic Steering - VDS - with extra electronic pump and torque overlay
- ASFE-BAS** Active steering feature - Basic - Volvo Dynamic Steering - VDS - only
- ASFE-OG** Active steering feature - Volvo Dynamic Steering - VDS - with stability assist - oversteer
- ASFE-PO** Active steering feature - Volvo Dynamic Steering - VDS - with personal settings and stability assist
- ASFE-PS** Active steering feature - Volvo Dynamic Steering - VDS - with personal settings

MODEL RANGE

FM 11 6x2 Tag Rigid - Rear Air Suspension FM 62R T1A

■ PSS-SING	Power steering system - Single	□ WHC-FIX2	Wheel chocks - Two fixed design
■ PSP-FIX	Power steering pump - Fixed displacement	□ WHC-FOL2	Two foldable wheel chocks
□ PSP-VAR	Power steering pump - Variable displacement	□ WHCP-F	Wheel chock carrier position - In the front part of the vehicle
□ PSP-VAR2	Power steering pump - Variable displacement with electronic control	□ WHCP-M	Wheel chock carrier position - Middle part of the vehicle
■ EBS-MED	Brake package - EBS medium including "hill" hold function	□ WHCP-R	Wheel chock carrier position - In the rear part of the vehicle
■ RST-AIR	Rear suspension type - Air	□ WHCP-T	Wheel chock carrier position - Outer luggage locker
□ RST-AIR4	Rear suspension type - Air with reinforced air bellows for heavier loads	□ TB-L80	Toolbox 800 mm, left side
□ RST-AIR6	Rear suspension type - Air with reinforced air bellows for heavier loads at higher temperatures	□ TB-R80	Toolbox 800 mm, right side
■ FRAME266	Chassis frame section external height - 266 mm	□ SUP-BAS	Side guards - Check with bodybuilder chassis space requirements
□ FRAME300	Chassis frame section external height - 300 mm	□ CHAIN-S	Snow chains
□ FST7070	Chassis frame thickness - 7 mm web and flange	□ HOOK-SC	Snow chain hooks
■ FST8080	Chassis frame thickness - 8 mm web and flange	■ TOWF-NO1	Front towing device - One detachable - stored in cab
□ FIL-EEEB	Chassis frame inner liner - From the end of the engine to the end of the bogie	□ TOWF-NO2	Front towing device - Two detachable - stored in cab
□ FIL-EEEF	Chassis frame inner liner - From the end of the engine to end of the frame	□ TOWMBRH	Towing member, high mounted in centre of frame, D = 190
□ FIL-FBEB	Chassis frame inner liner - Over the rear bogie	□ TOWMBRL1	Towing member, low mounted under the frame
□ FIL-FBEF	Chassis frame inner liner - From the front of bogie to the end of the frame	□ TOWMBRL2	Towing member, low and forward mounted under the frame
□ FIL-TXEB	Chassis frame inner liner - From gearbox member to the end of the bogie	□ TOWMBRL3	Towing member, low and far forward mounted under the frame
□ FIL-TXEF	Chassis frame inner liner - From gearbox member to the end of the frame	□ TOWMBRM	Towing member, medium mounted in line with frame lower flange
■ BBOX-L	Battery box position - Left hand side	□ RFEC-L	Rear frame profile - Lower flange cut for centre axle drawbar
□ 2BAT210B	Battery Capacity - 2 x 210 Ah - Gel type	■ RFEC-S	Rear frame profile - Straight cut
■ 2BAT210C	Battery Capacity - 2 x 210 Ah - AGM Absorbent Glass-fibre Material type	□ RFEC-U	Rear frame profile - Slight uppercut for tipper
■ BATTAMP	Battery management - Voltage and current gauge	□ C-RI4040	Towing coupling, Ringfeder 4040A
□ BATTIND	Battery management - Voltage, current and charge indicators	□ C-RI5050	Towing coupling, Ringfeder 5050A
□ ADR2	ADR Adaptation - For transportation of dangerous goods on the road - Note does NOT include safe loading pass package if required this is quoted separately	□ C-RO400G	Towing coupling, Rockinger 400 G-150 for 40mm eyes
□ MSWI-A	Battery master switch - ADR switch circuit shut down	□ C-RO50	Rockinger RO 50 50mm for centre axle trailer
□ MSWI-C	Battery master switch - Chassis mounted toggle by the battery box	□ C-VBG795	VBG 795V-3 coupling (centre axle trailer)
■ MSWI-R	Battery master switch - Key fob operated remote controlled	□ TOWR-ONE	Towing hitch attached to rear crossmember
■ R330A71	Right fuel tank - 330litre aluminium diameter 710mm Min volume 255l Max volume 810l	■ TREL-PK	Trailer electrical preparation kit - chassis/cab wiring
■ UL-FUEL	Left fuel tank - Without Min volume 160l Max volume 730l	□ TREL14	Single 14 pole electrical trailer connector
□ ADTP-L	AdBlue tank position - Chassis mounted on the left-hand side	□ TREL15	Trailer electrical connection - Single 15 pin - ADR certified
■ ADTP-R	AdBlue tank position - Chassis mounted on the right-hand side	□ TREL7	7 pole - 24N trailer electrical suzie
□ ADB048	Plastic AdBlue tank - 48 litre	□ TREL7-7	Trailer electrical connection - 2 x 7 pin - 24N and 24S
■ ADB064	Plastic AdBlue tank - 64 litre	□ TBC-DUO	Trailer brake connections - Duomatic type
□ ADB068	Plastic AdBlue tank - 68 litre	□ TBC-EC	Trailer brake connections - EC palm coupling connectors
□ ADB083	Plastic AdBlue tank - 83 litre	□ TRBR-STA	Stationary trailer brake control
□ ADB090	Plastic AdBlue tank - 90 litre	□ TRB-STRE	Stretch Brake - Automatic low speed trailer brake activation to avoid jack-knifing and improve steerability
□ ADB112	Plastic AdBlue tank - 112 litre	□ RUP-FOLD	Rear underrun protection - Aluminium folding EC approved
□ ADTC-BF	AdBlue tank cover with satin alloy look decorative cover	□ RFEND-B	Rear mud wings - Three piece EC approved and spray flaps
■ FCAP-L	Diesel and AdBlue filler cap - Locking	□ RFEND-T	Rear mud wings - Temporary on drive axle for transport delivery only
■ FUFF-AS	Fuel filler - Anti-spill device	□ RFH-BAS	Basic rear wing height
□ FUFF-ATS	Fuel filler - Anti-spill & anti-syphon device	□ RFH-HIG	High rear wing height - higher wing tops
□ ESH-LEFT	Exhaust - Horizontal silencer - left outlet	□ RFH-LOW	Lower rear wing height - shallower wing tops
■ ESH-REAR	Exhaust - Horizontal silencer - rear outlet	□ AUXATNK	Auxiliary airtank
□ ESH-RIGH	Exhaust - Horizontal silencer - right outlet	□ ATANK-AL	Air tanks - Aluminium
□ ESH-VERT	Exhaust - Horizontal silencer - vertical outlet	■ ATANK-ST	Air tanks - Steel
□ EXST-SSP	Stainless steel exhaust stack - NOT polished	□ RESTS-W	White conspicuity markings on chassis - sideguards, toolbox and rear overhang
□ EXST-ST	Steel exhaust stack	□ REST-RUP	
□ HS-NAR	Narrow heat shield	■ TL-LED	Rear lights - LED
		■ BLIGHT-E	Emergency brake light
		WHEELS & TYRES	
		□ RT-AL	Wheels - Howmet Alcoa brushed aluminium rims - standard holes for long stud fixing
		□ RT-AL1	Wheels - Howmet Alcoa brushed aluminium rims LVL one - standard holes for long stud fixing

■ Standard Equipment □ Optional Equipment

For more detailed information about cab and powertrain equipment, please refer to separate specification sheets.

For all possible options and combinations of options please consult your Volvo sales contact who can create a specification to match your requirements using the Volvo Sales Support system (VSS).

The factory reserves the right to modify design and change equipment without previous notification. The specification can vary from country to country.

MODEL RANGE

FM 11 6x2 Tag Rigid - Rear Air Suspension FM 62R T1A

<input type="checkbox"/> RT-AL1DU	Wheels - Howmet Alcoa brushed aluminium rims LVL one - countersunk holes for short stud fixing	<input type="checkbox"/> AF-R	Hot fuel recirculation heated fuel filter
<input type="checkbox"/> RT-ALDP	Wheels - Howmet Alcoa Dura-Bright aluminium rims - standard holes for long stud fixing	<input checked="" type="checkbox"/> FUEFE2LW	Large engine mounted dual fuel filter with water separator
<input type="checkbox"/> RT-ALDPD	Wheels - Howmet Alcoa Dura-Bright EVO aluminium rims - countersunk holes for short stud fixing	<input checked="" type="checkbox"/> FUEFE2SW	Small engine mounted dual fuel filter with water separator
<input type="checkbox"/> RT-ALDU	Wheels - Howmet Alcoa brushed aluminium rims - countersunk holes for short stud fixing	<input type="checkbox"/> EST-AID	Engine starting aid -Preheating element in the air inlet manifold
<input checked="" type="checkbox"/> RT-STEEL	Wheels - Steel rims	<input type="checkbox"/> 220EBH15	220V/1.5Kw electric engine block heater
<input type="checkbox"/> WCAP	Aerodynamic hub caps	<input type="checkbox"/> PTER-100	Engine power-take-off - Rear-mounted with DIN100/ISO7646 flange
<input type="checkbox"/> SPWT-D	Spare wheel & tyre with rear tyre pattern	<input type="checkbox"/> PTER-DIN	Engine power-take-off - Rear-mounted with DIN5462 (female) splined shaft for a close-coupled pump
<input type="checkbox"/> SPWT-F	Spare wheel & tyre with front tyre pattern		Models with 3 steering axles will use this to drive the steering pump (AUXPSP)
<input type="checkbox"/> SWCP-LF	Spare wheel carrier on left side of chassis ahead of rear axle	<input type="checkbox"/> PTER1400	Engine power-take-off - Rear-mounted with SAE 1410 flange
<input type="checkbox"/> SWCP-R	Rear mounted spare wheel carrier	<input type="checkbox"/> HPE-F101	Parker F1-101, engine mounted, fixed displacement, single flow, engine mounted hydraulic pump
<input type="checkbox"/> SWCP-T	Spare wheel supplied temporarily strapped to chassis	<input type="checkbox"/> HPE-F41	Parker F1-41, engine mounted, fixed displacement, single flow, engine mounted hydraulic pump
<input type="checkbox"/> SWCP-TP	Temporary spare wheel carrier on top of chassis frame	<input type="checkbox"/> HPE-F51	Parker F1-51, engine mounted, fixed displacement, single flow, engine mounted hydraulic pump
<input type="checkbox"/> JACK-12T	12 tonne bottle jack	<input type="checkbox"/> HPE-F61	Parker F1-61, engine mounted, fixed displacement, single flow, engine mounted hydraulic pump
<input type="checkbox"/> JACK-15T	15 tonne bottle jack	<input type="checkbox"/> HPE-F81	Parker F1-81, engine mounted, fixed displacement, single flow, engine mounted hydraulic pump
<input type="checkbox"/> JACK-20T	20 tonne bottle jack	<input type="checkbox"/> HPE-T53	Parker F2-53/53, engine mounted, Fixed displacement, Twin flow engine mounted hydraulic pump
<input checked="" type="checkbox"/> TOOL-BAS	Toolkit - Basic	<input type="checkbox"/> HPE-T70	Parker F2-70/35, engine mounted, Fixed displacement, Twin flow engine mounted hydraulic pump
<input type="checkbox"/> TOOLKIT	Toolkit - Complete	<input type="checkbox"/> HPE-V45	Parker VP1-45, variable displacement, single flow, engine mounted hydraulic pump
<input type="checkbox"/> INFLAHOS	Tyre inflation hose	<input type="checkbox"/> HPE-V75	Parker VP1-75, variable displacement, single flow, engine mounted hydraulic pump
<input type="checkbox"/> GAUGE-TP	Tyre pressure gauge	<input type="checkbox"/> PTPT-D	Powertronic PTO, 1 front/upper DIN connection for plug-in pump (max. 850 Nm)
DRIVELINE EQUIPMENT		<input type="checkbox"/> PTPT-F	Powertronic PTO, 1 front/upper rear facing SAE flange conn. for prop shaft (max.850 Nm)
<input type="checkbox"/> TRAP-HD	Reinforced gearbox application	<input type="checkbox"/> PTR-D	Gearbox PTO for plug-in pump, 0.71xeng speed
<input checked="" type="checkbox"/> DRM-BE	Drive mode - Balanced & Economy	<input type="checkbox"/> PTR-DH	Gearbox driven high speed PTO for one plug-in hydraulic pump
<input type="checkbox"/> DRM-E	Drive mode - Economy	<input type="checkbox"/> PTR-DM	Gearbox driven medium speed PTO for one plug-in hydraulic pump
<input type="checkbox"/> PVT-MAP	I-See Predictive Cruise Control - using map-based topography information	<input type="checkbox"/> PTR-F	Gearbox driven PTO with rear flange connection
<input checked="" type="checkbox"/> PVT-MTM	I-See Predictive Cruise Control - using map-based topography information with lower operating settings	<input type="checkbox"/> PTR-FH	Gearbox driven high speed PTO with SAE drive flange
<input checked="" type="checkbox"/> CRUIS-E	Cruise control - with I-roll and I-cruise, controls in steering wheel	<input type="checkbox"/> PTR-FL	Gearbox driven low speed PTO with SAE drive flange
<input type="checkbox"/> AMSO-AUT	Enhanced I-shift software with manual shift available in auto mode and kickdown facility on accelerator pedal	<input type="checkbox"/> PTRD-D	Gearbox driven HIGH SPEED PTO for two plug-in hydraulic pumps
<input type="checkbox"/> AVO-ENH	I-Shift application software - Construction and off road applications	<input type="checkbox"/> PTRD-D1	PTRD-D1 Gearbox driven HIGH SPEED PTO (1 SAE flange & 1 plug-in hydraulic pump)
<input type="checkbox"/> APF-ENH	I-shift enhanced PTO functions	<input type="checkbox"/> PTRD-D2	Gearbox driven HIGH SPEED PTO (2 SAE flanges & 1 plug-in hyd pump)
<input type="checkbox"/> RET-TH	Gearbox mounted retarder	<input type="checkbox"/> PTRD-F	PTO with 1 DIN + 1 flange connection rear, manual gearbox
<input type="checkbox"/> RET-TPT	Hydraulic Retarder for Powertronic gearbox	<input type="checkbox"/> HPG-F101	Gearbox mounted hydraulic pump - Parker F1-101 hydraulic pump gearbox mounted
<input type="checkbox"/> TC-HWO	Transmission oil cooler - water to oil	<input type="checkbox"/> HPG-F41	Gearbox mounted hydraulic pump - Parker F1-41 gearbox mounted, fixed displacement, single flow
<input type="checkbox"/> TC-MAOH2	Extra high performance transmission oil cooler - air to oil with front mounted radiator	<input type="checkbox"/> HPG-F51	Gearbox mounted hydraulic pump - Parker F1-51 gearbox mounted, fixed displacement, single flow
<input type="checkbox"/> TC-MWO	Basic transmission oil cooler - water to oil	<input type="checkbox"/> HPG-F61	Gearbox mounted hydraulic pump - Parker F1-61 gearbox mounted, fixed displacement, single flow
<input type="checkbox"/> 2COM1100	Air compressor - Two-cylinder 1100 litres per minute	<input type="checkbox"/> HPG-F81	Gearbox mounted hydraulic pump - Parker F1-81 gearbox mounted, fixed displacement, single flow
<input checked="" type="checkbox"/> 2COMP870	Air compressor - Two-cylinder 870 litres per minute	<input checked="" type="checkbox"/> STWPOS-R	Steering wheel position - RIGHT-HAND DRIVE
<input type="checkbox"/> 2COMP900	Air compressor - Two-cylinder 900 litres per minute	<input type="checkbox"/> STWM-LE	Steering wheel - Leather
<input type="checkbox"/> CLU-AIRC	Clutchable air compressor	<input type="checkbox"/> STGW-AD2	Steering wheel adjustment - Neck tilt, column height and angle
<input checked="" type="checkbox"/> AIRIN-HI	Air intake - Roof-mounted behind cab on the left-hand side	<input checked="" type="checkbox"/> STGW-ADJ	Steering wheel adjustment - Column height and angle
<input type="checkbox"/> AIRIN-LO	Low level air intake behind cab on left hand side	<input checked="" type="checkbox"/> AIRBAG	Driver air bag
<input type="checkbox"/> ACL1ST-S	Air filter - two-stage element	<input checked="" type="checkbox"/> DRC-AMII	DPF Regeneration control switch - for manual and switching off regeneration
<input checked="" type="checkbox"/> 24A110BL	Alternator capacity - 110 amp	<input checked="" type="checkbox"/> 1DAYDIG4	Smart tachograph - Continental VDO 4.1 version 2 - legal demand from 21/08/2023
<input checked="" type="checkbox"/> 24A150BL	Alternator capacity - 150 amp		
<input type="checkbox"/> 24A180BL	Alternator capacity - 180 amp		
<input type="checkbox"/> 24AL110B	Alternator capacity - 110 amp		
<input type="checkbox"/> 24AL150B	Alternator capacity - 150 amp		
<input type="checkbox"/> CCV-C	Closed crankcase engine ventilation		
<input checked="" type="checkbox"/> CCV-OX	Closed crankcase ventilation for cold markets		
<input checked="" type="checkbox"/> PRIM-EL	Electrical priming pump		
<input type="checkbox"/> PRIM-MAN	Manual priming pump		
<input type="checkbox"/> FUEQ-EH	Fuel line electric heater		

Standard Equipment Optional Equipment

For more detailed information about cab and powertrain equipment, please refer to separate specification sheets.

For all possible options and combinations of options please consult your Volvo sales contact who can create a specification to match your requirements using the Volvo Sales Support system (VSS).

The factory reserves the right to modify design and change equipment without previous notification. The specification can vary from country to country.

MODEL RANGE

FM 11 6x2 Tag Rigid - Rear Air Suspension FM 62R T1A

<input type="checkbox"/> ARSL	Additional road speed limit - switch in dashboard	<input checked="" type="checkbox"/> PST-BAS1	Passenger seat - Fixed non suspended fold up with seatbelt mounted on cab "B" post
<input type="checkbox"/> SPEED-DU	Dual speed limiter	<input type="checkbox"/> PST-CF4	Passenger seat - Suspended, adjustable shock absorber, travel, backrest & lumbar controls with integrated seatbelt
<input checked="" type="checkbox"/> ESP-BAS1	Electronic Stability Control ESC	<input type="checkbox"/> PST-CF5	Passenger seat - Suspended with adjustable shock absorber, travel, backrest, lumbar & heat controls with integrated seatbelt
<input type="checkbox"/> ESPC-RO	Additional ESC functions - Reduced / Off	<input type="checkbox"/> PST-STD2	Passenger seat - Fixed with backrest adjustment, non suspended with seatbelt mounted on cab "B" post
<input type="checkbox"/> HWSS-ACB	Forward collision warning with adaptive cruise control and AEBs advanced emergency brake system	<input type="checkbox"/> PST-STD4	Passenger seat - Standard suspended with seatbelt mounted on cab "B" post
<input checked="" type="checkbox"/> HWSS-FCB	Forward collision warning with AEBs advanced emergency brake system	<input type="checkbox"/> SBPRE-PS	Passenger seat belt pretensioner
<input checked="" type="checkbox"/> LSS-DW	Lane departure warning system	<input type="checkbox"/> ARMRE-BB	Armrests - Two on both driver & passenger seats
<input type="checkbox"/> LSS-DW3	Lane departure warning system with pilot assist	<input type="checkbox"/> ARMRE-DB	Armrests - Two on the driver seat
<input checked="" type="checkbox"/> LCS4	Side Collision Avoidance Support - Passenger and driver side	<input type="checkbox"/> ARMRE-PB	Armrests - Two on the passenger seat
<input type="checkbox"/> LCS5	Side Collision Avoidance Support - Active support with emergency brake on passenger side. Collision warning on passenger and driver side	<input type="checkbox"/> ARU-BAS	Armrest upholstery - Vinyl
<input checked="" type="checkbox"/> DAS-W	Driver Alert Support system	<input type="checkbox"/> ARU-LEA	Armrest upholstery - Leather
<input type="checkbox"/> RSENS-W	Rain sensing windscreen wipers	<input checked="" type="checkbox"/> FMAT-RUB	Footwell floor mats - Rubber
<input checked="" type="checkbox"/> CU-ECC	Cab climate Unit - Electrically controlled air conditioning with sun sensor	<input type="checkbox"/> FMAT-TX2	Footwell floor mats - Two sets, Rubber and textile with an embossed pile supplied in the cab
<input type="checkbox"/> CU-ECC2	Cab climate Unit - Electrically controlled air conditioning with a carbon filter, sun, mist, and air quality sensor	<input type="checkbox"/> LBK70	Lower bunk - Fixed 700 x 2000 mm
<input checked="" type="checkbox"/> IGT-BUT	Vehicle starting - Push-button	<input type="checkbox"/> MATL-FI	Lower mattress - Firm pocket sprung
<input checked="" type="checkbox"/> IMMOBIL	Immobiliser	<input type="checkbox"/> MATL-SF	Lower mattress - Flexi-zone semi-firm, pocket springs up to 100kg - 16 stone
<input type="checkbox"/> ALARM-E	Vehicle alarm - Cab plus external sensor for body/trailer	<input type="checkbox"/> OLMAT-BA	Mattress overlay protector - 35mm thick
<input type="checkbox"/> PHONE-PK	Telephone preparation kit (antenna, antenna attachm. cable incl.)	<input type="checkbox"/> OLMAT-PR	Mattress overlay protector - Premium 50mm thick
<input type="checkbox"/> ISUNS-BS	Side sun visor - Driver & passenger side	<input type="checkbox"/> TBK60F	Top bunk - Fixed foldable 600 x 1900mm
<input checked="" type="checkbox"/> ISUNS-DS	Side sun visor - Driver-side	<input type="checkbox"/> TBK70F	Top bunk - Fixed foldable 700 x 1900mm
<input type="checkbox"/> ISUNF-B	Interior front sun visor without mirror	<input type="checkbox"/> PH-CAB2	Cab parking heater - 1.8kW Air to air
<input type="checkbox"/> ISUNF-MD	Interior front sun visor with mirror on driver side	<input type="checkbox"/> PH-ENGCA	Cab parking heater - Engine and cab
<input type="checkbox"/> ISUNF-RE	Electrically operated textile interior sun blind	<input type="checkbox"/> PH-SS	Cab parking heater - Short stop
<input checked="" type="checkbox"/> ISUNF-RM	Manually operated textile interior sun blind	<input type="checkbox"/> SLCP-BAS	Sleeper control panel - Basic with switches for interior light, night heater, roof hatch and door lock
<input type="checkbox"/> ADFS	Two extra DIN slots in front shelf - can be fitted with card or drawer available as an accessory	<input type="checkbox"/> ETSB-F	Storage on engine tunnel - Central document box with two rear cup holders
<input checked="" type="checkbox"/> BUPALARM	Reverse alarm	<input type="checkbox"/> ETSB-FR	Storage on engine tunnel - Central document box with two rear cup holders & open storage pocket on cab rear wall
<input type="checkbox"/> RTOLL-PK	Road toll PREPARATION kit for trucks operating with "Toll Collect" in Germany	<input type="checkbox"/> ETSB-R	Storage on engine tunnel - Open storage pocket on cab rear wall
<input type="checkbox"/> LOADIND	Load indicator with central dashboard display	<input type="checkbox"/> RUS-BAS	Rear cab upper storage - 300 mm high
<input type="checkbox"/> REMC-MF	Multi-functio wireless remote control	<input type="checkbox"/> RUS-HIG	Rear cab upper storage - 440 mm high - volume 245 litres
<input type="checkbox"/> FIREXT3S	Fire extinguisher - 3kg mounted on the seat base	<input type="checkbox"/> REF-ICPK	Fridge - Engine tunnel mounted preparation kit
<input type="checkbox"/> WARNVEST	High visibility warning vest - No sleeves	<input type="checkbox"/> REFR-RUS	Fridge - 28 litre rear upper wall mounted with dividers
<input type="checkbox"/> AIDKIT	First aid kit - Legal demand for EU markets including delivery to EU bodybuilder	<input type="checkbox"/> MICRO-PK	Microwave equipment - Wiring preparation kit for oven
<input type="checkbox"/> AIDKIT1B	First aid kit - Legal demand for trucks transiting Germany	<input type="checkbox"/> BOTH-D	Bottle holder - One under dashboard centre section
<input type="checkbox"/> WARNLAMP	Portable warning lamp	<input type="checkbox"/> COFMA-PK	Coffee maker - Preparation kit.
<input type="checkbox"/> LAMP-IN	Inspection lamp	<input checked="" type="checkbox"/> INLI-BAS	Interior light - White LEDs
<input type="checkbox"/> BULBKIT	Bulb and fuse kit	<input type="checkbox"/> INLI-NL	Interior light - White and red nightlight LEDs without dimmer
<input type="checkbox"/> WRITEPAD	Writing pad	<input type="checkbox"/> INLI-NLD	Interior light - White and red nightlight LEDs with dimmer
<input checked="" type="checkbox"/> DST-CF4	Driver seat - Suspended, adjustable shock absorber, travel, backrest & lumbar controls with integrated seatbelt	<input type="checkbox"/> ARL-FLEX	Flexible reading lamps - Two "snake" type
<input type="checkbox"/> DST-CF5	Driver seat - Suspended with adjustable shock absorber, travel, backrest, lumbar & heat controls with integrated seatbelt	<input checked="" type="checkbox"/> RH-EE	Fixed tinted glass sky window with emergency exit
<input type="checkbox"/> DST-CF6	Driver seat - Suspended with adjustable shock absorber, travel, backrest, lumbar, heat and ventilation controls with integrated seatbelt	<input type="checkbox"/> RH-ER	Steel roof hatch - Electrically operated, rear opening with emergency exit
<input type="checkbox"/> SBD-RED	Seat belt colour - Red	<input type="checkbox"/> RH-ETR	Tinted glass roof hatch - Electrically operated, rear opening with emergency exit
<input type="checkbox"/> SBPRE-DS	Driver seat belt pretensioner	<input type="checkbox"/> RH-MTR	Tinted glass roof hatch - Manually operated, rear opening with emergency exit
		<input checked="" type="checkbox"/> GLAS-TIN	Cab windows - Tinted
		<input type="checkbox"/> SWIND-BS	Cab side window - On both sides behind 'B' post
		<input type="checkbox"/> SWIND-PS	Cab side window - Left side behind 'B' post
		<input type="checkbox"/> AWIND-RF	Rear window
		<input type="checkbox"/> VANMIR	Vanity mirror - In front shelf
		<input type="checkbox"/> AS-FUS	Extra shelf in front compartments

Standard Equipment

Optional Equipment

For more detailed information about cab and powertrain equipment, please refer to separate specification sheets.

For all possible options and combinations of options please consult your Volvo sales contact who can create a specification to match your requirements using the Volvo Sales Support system (VSS).

The factory reserves the right to modify design and change equipment without previous notification. The specification can vary from country to country.

MODEL RANGE

FM 11 6x2 Tag Rigid - Rear Air Suspension FM 62R T1A

- INFOT-PK** TV mounting preparation kit - Above the driver's door, includes bracket, electrical and speaker connections

CAB EXTERIOR

- EXTL-BA2** Enhanced exterior finish - Satin Volvo badges, instep, bumper, and mirror housing in cab colour. Main grille in thunder grey. Aluminium step inserts. Sunvisor and bumper spoiler in cab colour if specified.
- **EXTL-BAS** Basic exterior finish - Satin Volvo badges, grey grille, instep, bumper, bumper spoiler, grille, door handles mirror housing and sunvisor if specified.
- **DGLAS-H** Door glass - Hardened
- DGLAS-L** Door glass - Laminated
- **BUMP-B** Front bumper - Plastic
- **BUMP-B2** Front bumper - Steel
- BUMP-SP** Front bumper spoiler
- GUARD-EH** Sump and radiator guard - to protect engine and hoses
- **BUGNET** Radiator insect screen
- CTILTP-E** Electrically operated hydraulic cab tilt
- **CTILTP-M** Manually operated hydraulic cab tilt
- FCABS-A** Front cab suspension - Air
- **FCABS-M** Front cab suspension - Mechanical spring
- RCABS-A** Rear cab suspension - Air
- **RCABS-M** Rear cab suspension - Mechanical spring
- MIRCFPCS** Mirrors - Electrically heated and operated main and wide-angle with manually adjusted passenger kerb and front mirror and position camera in nearside mirror arm
- MIRCFCPX** Mirrors - Electrically heated and operated FMX main and wide-angle with manually adjusted passenger kerb and front mirror and position camera in nearside mirror arm. To increase direct vision to the side the main mirrors have no cowlings
- MIRCMCP** Camera monitoring and mirrors - Electrically heated and operated main and wide-angle rear view cameras with manually adjusted passenger kerb and front mirror and passenger corner pedestrian camera.
- MIRCMS** Camera monitoring and mirrors - Electrically heated and operated main and wide-angle rear view cameras with manually adjusted passenger kerb and front mirror
- **MIRCOMF** Mirrors - Electrically heated and operated main and wide angle and manually adjusted passenger kerb and front mirror
- MIRCOMFX** Mirrors - Electrically heated and operated FMX main and wide angle and manually adjusted passenger kerb and front mirror. To increase direct vision to the side the main mirrors have no cowlings
- **AMIR-F20** Auxiliary front view mirror with a 200mm radius
- SUNV-H** External smoke grey sunvisor
- AD-ROOF** Cab roof deflector - Adjustable
- AD-SIDES** Cab side deflector - Short extension panels
- **HL-LED** Headlights - LED
- HBDA-A** Headlight main beam switching - Automatic
- **HL-CLEAN** Headlight cleaner - Washer jets
- HLP-ST** Headlight protection
- DRIVL2** Two spot lamps
- **UDRIVL** Auxiliary driving lights - Without
- **FOGL-WC** Front fog lights
- CL-STAT** Static corner lights
- ASL-RF2** Integrated roof spotlights - Two LED aerodynamic spot lights in Globetrotter sign box
- BEACOA2F** Roof beacons - Two front roof mounted amber LED
- BEACOA2R** Roof beacons - Two rear roof mounted amber LED
- BEACON-P** Roof beacons - switch and wiring preparation only
- BEACONA4** Roof beacons - Four amber LED - two front/ two rear

- CABPT-R1** Single outlet for roof mounted accessories
- **CABPT-R2** Twin outlets for roof mounted accessories.
- SPOTP-F** Spotlamp preparation in front, max 280W
- SPOTP-R** Spotlamp preparation on roof, max 280W
- SPOTP-RF** Spotlamp preparation on cab roof and in cab front, max 2x280W
- ROS-IL2** Preparation kit for illuminated roof sign with switch loose in cab, fit after registration
- CSGN-GTR** Cab sign logo - Volvo "Globetrotter" or "Power" sign
- **HORN-F1S** Horn - Air single tone - chassis mounted
- HORN-R2S** Horn - Air - Two roof-mounted
- ANT-CBR** Roof mounted antenna for CB radio, single aerial. Only Globetrotter cabs brings in extra DIN slots.
- ACCBR-AP** Front, middle & rear roof mounted accessory brackets
- ACCBR-F** Front roof mounted accessory bracket
- ACCBR-FM** Front & middle roof mounted accessory brackets
- ACCBR-FR** Front & rear roof mounted accessory brackets
- ACCBR-M** Middle roof mounted accessory bracket
- ACCBR-R** Rear roof mounted accessory bracket
- ACCBR-RM** Rear & middle roof mounted accessory brackets
- REFS-CW** White cab conspicuity markings mounted on cab side
- REFS-TW** White cab conspicuity markings by packed in cab
- REFS-TY** Yellow cab conspicuity markings by packed in cab

SUPERSTRUCTURE PREPARATIONS

- SW745-EE** Swapbody equipped with front stop block for wheelbase 4600 mm and body length 7150/7450 mm. Height 130 mm above frame.
- SW745-FE** Swapbody equipped with front stop block for wheelbase 4800 mm and body length 7150/7450 mm. Height 130 mm above frame.
- SW745-GE** Swapbody equipped with front stop block for wheelbase 4600 mm and body length 7150/7450 mm. Height 190 mm above frame.
- SW745-HE** Swapbody equipped with front stop block for wheelbase 4800 mm and body length 7150/7450 mm. Height 130 mm above frame.
- SW782-ME** Swapbody equipped with front stop block for wheelbase 4900 mm and body length 7150/7450/7820 mm. Height 130 mm above frame.
- SW782-OE** Swapbody equipped with front stop block for wheelbase 4900 mm and body length 7150/7450/7820 mm. Height 190 mm above frame.
- CROSSRE** Cross reinforcement for swapbody
- SRWL-PK** Chassis-mounted working lamps - Side work and reverse lamp preparation and 3 position switch - Max load 280W
- SWL-2FW** Chassis-mounted working lamps - Two white front mounted LED lamps
- SWL-2RW** Chassis-mounted working lamps - Two white rear mounted LED lamps
- SWL-4W** Chassis-mounted working lamps - Four white front and rear mounted LED lamps
- SWL-PK** Chassis-mounted working lamps - Side work lamp preparation and 2 position switch - Max load 280W
- WLC-H2A** Working lamp back of cab - Two amber LED high mounted
- WLC-H2W** Working lamp back of cab - Two white LED high mounted at the back of cab
- WLC-PKCH** Working lamp back of cab - Preparation kit - cables and switch
- WLC-PKH** Preparation kit, cables and switch for high mounted working lamps back of cab
- WLC-PKL** Preparation kit, cables and switch for low mounted working lamps back of cab
- WLC-PKLH** Preparation kit - cables and switch for low and high mounted working lamps back of cab.
- ECBB-HIG** Bodybuilder module - High level body electrical centre in dash input/output module
- **ECBB-MED** Bodybuilder module - Medium level body electrical centre in dash input/output module
- BBCHAS1** One 7-pole connector for Body builder interface

- Standard Equipment
- Optional Equipment

For more detailed information about cab and powertrain equipment, please refer to separate specification sheets.

For all possible options and combinations of options please consult your Volvo sales contact who can create a specification to match your requirements using the Volvo Sales Support system (VSS).

The factory reserves the right to modify design and change equipment without previous notification. The specification can vary from country to country.

MODEL RANGE

FM 11 6x2 Tag Rigid - Rear Air Suspension FM 62R T1A

- **BBCHAS3** Three 7-pole connectors for Body builder interface
- **BEPR-T2** Body builder electrical software preparation for tipper with remote control
- **EXSTER** External steering control - Volvo dynamic steering and bodybuilder module prepared for external control system, installed and computer by bodybuilder
- **TD-LED** Trailer detection with LED sensing
- **FRFS-BS** Frame rail free space - both sides to give space for crane legs or other equipment
- **FBA-BTF** Lower front body attachments for torsionally flexible - platform body
- **FBA-BTSF** Lower front body attachments for torsionally semi-flexible body - box or curtainsider
- **HBA-FSFB** Holes for body attachments - flexible/semi-flexible body
- **HBA-SB** Holes for body attachments - stiff body
- **RBA-T2** Lower rear body attachments for helper frame
- **CRANEPK1** Crane plates mounted to frame, for cranes up to 10 tonne metre capacity
- **CRANEPK2** Crane plates mounted to frame, for cranes up to 20 tonne metre capacity
- **CRANEPK4** Crane plates mounted to frame, for cranes up to 40 tonne metre capacity
- **AUXL-SPK** Electrical preparation kit - wiring and switch for snow plough lights
- **TAILPRE2** Tail lift preparation kit, wireless remote operation
- **TAILPREP** Taillift preparation kit - cab switch and warning in driver display
- **AESW2** Two Body builder bistable electrical switches (marked AUX1 / AUX2)
- **AESW2PK** 2 Body builder bistable el.switches (marked AUX1/AUX2) and prep. for 4 more switches
- **AUXSW-4** Wiring for 4 extra switches (from Body builder electrical centre to switch positions)

DELIVERY SERVICES

- **TGW-4GWL** Telematics gateway - GSM/GPRS/4G modem, LTE & WLAN
- **FMS-PK** Fleet management system gateway - Required for aftermarket telematics
- **DRUT1** Driver utility app - "My Truck" - 1 year subscription
For mobile phone, tablet, with android and IOS systems.
Only available with Volvo Connect subscription
- **DRUT2** Driver utility app - "My Truck" - 2 year subscription
For mobile phone, tablet, with android and IOS systems.
Only available with Volvo Connect subscription
- **DRUT3** Driver utility app - "My Truck" - 3 year subscription
For mobile phone, tablet, with android and IOS systems.
Only available with Volvo Connect subscription
- **DRUT4** Driver utility app - "My Truck" - 4 year subscription
For mobile phone, tablet, with android and IOS systems.
Only available with Volvo Connect subscription
- **DRUT5** Driver utility app - "My Truck" - 5 year subscription
For mobile phone, tablet, with android and IOS systems.
Only available with Volvo Connect subscription