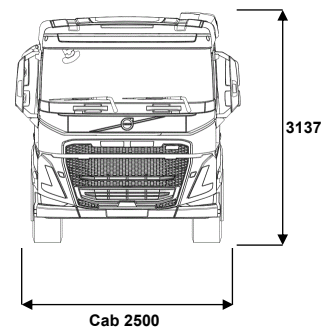
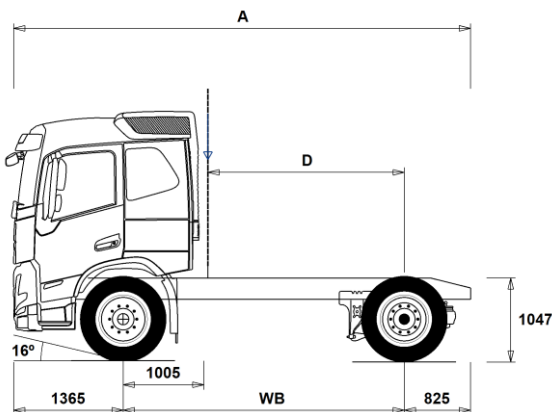


MODEL RANGE

FM D13 42 TRACTOR DIESEL REAR AIR FM 42T 3A



Chassis Dimensions [mm]

WB Wheelbase	3500	3800
A Overall Chassis Length	5690	5990
D Center of rear axle to back of cab	2445	2745

Chassis Weights [kg]

Front Axle	4455	4465
Rear Axle	1875	1885
Kerb Weight	6330	6350

Turning Diameter [mm]

Turning Circle Diameter Kerb to Kerb	12700	13700
Turning Circle Diameter Wall to Wall	14100	15100

Plated Weights [kg]

	Plated	Design
Gross Vehicle Weight	15500	19500
Gross Combination Weight	39000	44000
Front Axle	6500	6500
Rear Axle	9000	13000

Important Notes

Chassis Dimensions

Cab Height: -16 mm for CAB-DAY, +312 mm for CAB-HSLP, -278 mm for CAB-LDAY, -278 mm for CAB-LSLP.

Front Axle to Back of Cab: -422 mm for CAB-DAY and CAB-LDAY.

D-measure includes a front clearance of 50 mm and for rigid trucks also a subframe of 100 mm.

Height can vary ± 20 mm for leaf and ± 10 mm for air suspension.

All dimensions are for unladen chassis and any tag axles down. Chassis height used: CHH-MED.

Height change when chassis height CHH-HIGH,FRAME266: 0 mm.

Weight and dimensions are based upon the following tyres:

Front Axle Tyres: 315/80R22.5
 Drive Axle Tyres: 315/80R22.5

Chassis weight includes oil, water, AdBlue, 0 litres fuel and without driver. Kerb weight can vary ± 3%.

Turning diameters are theoretically calculated.

Legal weights can differ from country to country.

For more detailed weight information, including optional equipment weights, ask your Volvo sales contact to enter your specification into the Volvo Weight Information system (WIS).

Do NOT use this drawing for bodybuilding. Refer to Volvo Bodybuilder Instructions and chassis assembly drawing FM42T3A.

MODEL RANGE

FM D13 42 TRACTOR DIESEL REAR AIR FM 42T 3A

Truck use

- RC-ROUGH** Operating class on/off road
- RC-SMOOTH** Well Maintained Surfaced Roads >95% Driving Distance

Core components

- CHH-HIGH** Chassis Height High approx. 1025-1050mm (depending on tyre selection)
 - CHH-LOW** Chassis height low approx. 850 mm
 - CHH-MED** Approximate chassis height 900 mm
 - CHH-XLOW** Chassis height extra low
 - RAD-G4** Single Axle Air Suspension
 - RAD-GR** Single Axle Air Suspension
 - FM-DAY6** Day Cab
 - FM-HSLP6** Globetrotter Cab
 - FM-LDAY6** Low Day Cab
 - FM-LSLP6** Low Sleeper Cab
 - FM-SLP6** Sleeper Cab
 - EU4SCR** Eu4 SCR (Selective Catalytic Reduction)
 - EU5EEV** Eu5 SCR Enhanced Environmentally friendly Vehicle
 - EU5SCR-M** Eu5 SCR Selective Catalytic Reduction (mandatory)
 - EU6SCR** Eu6 SCR (Particulate Filter & EGR) Single Stage Turbo
 - D13S420A**
 - D13S460A** Eu6 Fuelface 13 litre 460hp Engine
 - D13S500A** Eu6 Fuelface 13 litre 500hp Engine
 - D13A380** Eu3 Engine, 13A litre, 380 hp, 1900 Nm
 - D13A420** Eu4 SCR engine, 13A litre, 520 hp, 2500 Nm
 - D13A460** Eu4 SCR engine, 13A litre, 460 hp, 2100 Nm
 - D13A500** Eu4 SCR engine, 13A litre, 500 hp, 2500 Nm
 - D13C380** Eu5 SCR engine, 13C litre, 380hp, 1900nm
 - D13C420** Eu5 SCR engine, 13C litre, 420hp, 2100nm
 - D13C460** Engine, 13C litre, 460hp, 2300nm
 - D13C500** Engine, 13C litre, 500hp, 2500nm
 - D13K420** Eu6 13 litre Engine 420hp/2100nm/309kW
 - D13K460** Eu6 13 litre Engine 460hp/2300nm/345kW
 - D13K500** Eu6 13 litre Engine 500hp/2500nm/368kW
 - EBR-EPG** Exhaust Pressure Governor
 - EBR-EPGC** Engine Brake Compression EPG
 - EBR-VEB** Volvo Engine Brake (VEB)
 - EBR-VEB+** Volvo Engine Brake + (VEB+)
 - AT2412** Volvo I-shift 12 Speed Automatic Transmission (2400nm)
 - AT2612** Volvo I-shift 12 Speed Automatic Transmission (2600nm)
 - AT2812** Volvo I-shift 12 Speed Automatic Transmission (2800nm)
 - ATO2612** Volvo I-shift 12 Speed Automatic Transmission with Overdrive (2600nm)
 - ATO3112** Volvo I-shift Automatic Transmission with Overdrive (3150nm)
 - PT2606** Powertronic 6 Speed Transmission (2600nm)
 - SPO2812** Volvo Dual Clutch I-shift - 12 Speed Semi Power Shift with Overdrive (2800nm)
 - RSH1370F** Solo axle, hub reduction 13t GCW70(version F)
 - RSS1344C** Solo axle, single reduction 13t GCW44 (version C)
 - RSS1344F**
 - RSS1352B**
 - RSS1370B** Solo axle, single reduction 13t GCW70 (version B)
 - RSS1370C** Single Reduction Axle 13t GCW70 (Version C)
- ### Packages
- AIRFLOW** Airflow package
 - 1LIVINFM** 1 bed resting package
 - 2LIVINFM** 2 bed resting package
 - INFOBASE** Standard Level Information Platform
 - INFOHIGH** High Level Information Platform
 - SAFEBAS**
 - SAFEBAS2**
 - SAFEPLU2**
 - SAFEPLUS**
 - OFFROADD** Construction package on Day Cab
 - OFFROADS** Construction package on Sleeper Cab

Chassis

- FST-AIR** Air Bag Front Suspension
- FST-PAR** Parabolic leaf spring front suspension
- FST-PAR3** 3 Leaf Parabolic Front Springs (stiffer than normal)
- FSLs-BAS** Front Suspension Levelling Stroke - Standard
- FSLs-HI** Front Suspension Levelling Stroke - High
- FAL10.0** Front Axle Load 10 tonnes
- FAL7.1** Front axle load 7.1 tonnes
- FAL7.5** Front Axle Load 7.5 tonnes
- FAL8.0** Front axle load 8.0 tonnes
- FAL8.5** Front Axle Load 8.5 tonnes
- FAL9.0** Front axle load 9.0 tonnes
- FSTAB** Front stabilizer, normal stiffness
- FSTAB2** Front stabiliser bar increased stiffness
- FSTAB3** Heavy duty front stabiliser bar
- RAL11.5** Rear Axle Load 11.5 tonnes
- RAL11.7** Rear axle load 11.7 tonnes
- RAL12**
- RAL13** Rear suspension load rating: 13,000 kg
- RSTAB1** Rear stabiliser bar
- RSTAB3** Heavy duty rear stabiliser bar
- ASF-DL1** Air susp. feature - 1 driving level
- ASF-DL3** Air susp. feature - 3 driving levels
- ACTST-TO** Volvo Dynamic Steering
- ASFE-BAS** Dynamic steering features - Standard
- ASFE-OG** Dynamic Steering Active Features - Oversteer Guidance
- ASFE-PO** Dynamic Steering Active Features - Personal Settings & Oversteer Guidance
- ASFE-PS** Dynamic Steering Active Features - Personal Settings
- PSS-SING** Single power steering system
- PSP-FIX** Power Steering Pump with Fixed Displacement
- PSP-VAR** Power Steering Pump with Variable Displacement
- PSP-VAR2** Power Steering Pump with Electronic Control Variable Displacement
- EBS-MED** Electronic Brake System (EBS) contains ABS, Traction control, Hill start aid Diff lock control, Brake assist Wheel brake monitoring, EBS status
- EBS-STD** Electronic Brake System (EBS) contains ABS, Traction control, BCS
- AUXPARK** Auxiliary parking brake
- RST-AIR** Rear Air Suspension
- FRAME266** Frame rail height 266mm
- FRAME300** Frame rail height 300mm
- FST6060** Frame Section Thickness 6mm
- FST6565** Frame Section Thickness 6.5mm
- FST7070** Frame Section Thickness 7mm
- FST8080** Frame Section Thickness 8mm
- FIL-EEEB** Liner (inner) from end of engine to end of bogie
- FIL-TXEB** Liner (inner) - trans x-mem to end of bogie
- BBOX-EF** Battery Box - End of Frame
- BBOX-L** Battery box mounted on LHS chassis rail
- BATS-D** Battery system - dual
- BATS-S** Battery system - single
- 2BAT210B** Two Batteries 210 Ah Gel
- 2BAT210C** Two Batteries 210 Ah AGM
- 2BATT170** Two Batteries 170 Ah
- 2BATT225** 2x225 Ah batteries
- BATTAMP** Battery Amperage Indicator (in the DID)
- BATTIND** Battery Charge Indicator (in the DID)
- ADR1** Standard ADR adaption - 1 switch
- ADR2** Standard ADR adaption - 2 switches

Standard Equipment Optional Equipment

For more detailed information about cab and powertrain equipment, please refer to separate specification sheets.

For all possible options and combinations of options please consult your Volvo sales contact who can create a specification to match your requirements using the Volvo Sales Support system (VSS).

The factory reserves the right to modify design and change equipment without previous notification. The specification can vary from country to country.

MODEL RANGE

FM D13 42 TRACTOR DIESEL REAR AIR FM 42T 3A

<input type="checkbox"/> MSWI-A	Main Switch ADR	<input checked="" type="checkbox"/> BLIGHT-E	Emergency Brake Lights
<input type="checkbox"/> MSWI-C	Isolation Toggle Switch LHS of Chassis	<input type="checkbox"/> FRACLOS	With frame closing
<input checked="" type="checkbox"/> MSWI-R	Isolation Switch on Key Fob (Press Door Lock Twice to Isolate)	Rims and Tyres	
<input checked="" type="checkbox"/> R330A71	Right aluminium 710 mm D-shaped fuel tank, 330 litres volume. Usable volume is 97% of stated volume. Min volume 255l Max volume 810l	<input type="checkbox"/> RT-AL	10 Stud Alloy Disc Rims (with long wheel studs)
<input checked="" type="checkbox"/> UL-FUEL	LHS fuel tank not fitted Min volume 160l Max volume 900l	<input type="checkbox"/> RT-AL1	10 Stud Dura-Bright Alloy Disc Rims (with long wheel studs)
<input type="checkbox"/> ADTP-BC	AdBlue Tank Position - RHS behind cab	<input type="checkbox"/> RT-AL1DU	10 Stud Dura-Bright Alloy Disc Rims (with short wheel studs)
<input type="checkbox"/> ADTP-L	AdBlue Tank Position - LHS	<input type="checkbox"/> RT-ALDP	10 Stud Dura-Bright Alloy Disc Rims (with short wheel studs)
<input checked="" type="checkbox"/> ADTP-R	AdBlue Tank Position - RHS	<input type="checkbox"/> RT-ALDU	10 Stud Alloy Disc Rims (with short wheel studs)
<input type="checkbox"/> ADB048	AdBlue Tank 48 litres	<input type="checkbox"/> RT-ALP	10 Stud Polished Alloy Disc Rims (with long wheel studs)
<input type="checkbox"/> ADB050	AdBlue Tank 50 Litres	<input type="checkbox"/> RT-ALPDU	10 Stud Polished Alloy Disc Rims (with short wheel studs)
<input checked="" type="checkbox"/> ADB064	AdBlue Tank 64 litres	<input checked="" type="checkbox"/> RT-STEEL	10 Stud Steel Disc Rims
<input type="checkbox"/> ADB068	AdBlue Tank 68 litres	<input type="checkbox"/> WCAP	Wheel caps
<input type="checkbox"/> ADB083	AdBlue Tank 83 Litres	<input type="checkbox"/> SPWT-D	Spare rim & tyre equal to drive
<input type="checkbox"/> ADB090	AdBlue Tank 90 litres	<input type="checkbox"/> SPWT-F	Spare rim & tyre equal to steer
<input type="checkbox"/> ADB100	AdBlue Tank 100 litres	<input type="checkbox"/> SWCP-LF	Spare Wheel Carrier Front of Drive Axle. LHS
<input type="checkbox"/> ADB112	AdBlue Tank 112 Litres	<input type="checkbox"/> SWCP-RF	Spare wheel carrier, on right hand side in front of rear axle
<input type="checkbox"/> ADTC-BF	AdBlue Tank Cover - Bright Finish	<input type="checkbox"/> SWCP-T	Spare wheel supplied temporarily strapped to chassis
<input checked="" type="checkbox"/> FCAP-L	Fuel tank cap with lock	<input type="checkbox"/> SWCP-TP	Transport mounted spare wheel on top of frame
<input checked="" type="checkbox"/> FUFF-AS	Fuel filling feature - anti spillage	<input type="checkbox"/> JACK-12T	12 tonne capacity jack with brace
<input type="checkbox"/> FUFF-ATS	Fuel filling feature - anti theft & spillage	<input type="checkbox"/> JACK-15T	15 tonne capacity jack and brace
<input type="checkbox"/> ESH-LEFT	Muffler horizontal, left exhaust outlet	<input type="checkbox"/> JACK-20T	Jack - 20 Tonnes
<input checked="" type="checkbox"/> ESH-REAR	Low Mounted Muffler with Low Rear Facing Outlet	<input checked="" type="checkbox"/> TOOL-BAS	Basic tools
<input type="checkbox"/> ESH-RIGH	Muffler horizontal, right exhaust outlet	<input type="checkbox"/> TOOLKIT	Tool kit complete
<input type="checkbox"/> ESH-VERT	Muffler horizontal, vertical exhaust outlet on right hand side	<input type="checkbox"/> INFLAHOS	Tyre inflation hose (18 metres)
<input type="checkbox"/> ESV-VERT	Single vertical exhaust/ vertical outlet	<input type="checkbox"/> GAUGE-TP	Tire pressure gauge
<input type="checkbox"/> EXST-SSP	Stainless Steel Exhaust Stack	Powertrain equipment	
<input type="checkbox"/> WHC-FIX1	Wheel chock, qty 1 fixed	<input type="checkbox"/> TRAP-HD	Heavy Duty Transmission Internals
<input type="checkbox"/> WHC-FIX2	Wheel chocks, qty 2 fixed	<input checked="" type="checkbox"/> DRM-BE	Drive Mode - Balanced & Economy
<input type="checkbox"/> WHC-FOL1	Wheel chock, qty 1 foldable	<input type="checkbox"/> DRM-E	Drive Mode - Economy
<input type="checkbox"/> WHC-FOL2	Wheel chocks, qty 2 foldable	<input type="checkbox"/> PVT-BAS	Standard - by GPS positioning
<input type="checkbox"/> WHCP-F	Wheel chocks position, front	<input type="checkbox"/> PVT-MAP	Preview Topography Information (High Resolution Topography Map)
<input type="checkbox"/> WHCP-M	Wheel chocks position, middle	<input checked="" type="checkbox"/> CRUIS-E	Extended Cruise Control (Additional Fuel Saving Functions)
<input type="checkbox"/> WHCP-T	Wheel chocks, transport mounted	<input checked="" type="checkbox"/> CRUIS-E5	Cruise Control (I-Torque)
<input type="checkbox"/> TB-L80	Toolbox 800 mm, left side	<input type="checkbox"/> AMSO-AUT	Manual gear shift in automatic mode.
<input type="checkbox"/> TB-R80	Toolbox 800 mm, right side	<input type="checkbox"/> AVO-ENH	AMT Vocational option - enhanced
<input type="checkbox"/> SUP-BAS	Side underrun protection - standard	<input type="checkbox"/> APF-ENH	Enhanced I-shift PTO functions
<input type="checkbox"/> SUP-LOW	Side underrun protection - low	<input type="checkbox"/> RET-TH	Retarder for manual gearbox Compact durable design with easy control
<input type="checkbox"/> CHAIN-S	Snow chains	<input type="checkbox"/> RET-TPT	Retarder for Powertronic Transmission
<input type="checkbox"/> HOOK-SC	Hooks for snow chains	<input type="checkbox"/> TC-HWO	Transmission Oil Cooler
<input checked="" type="checkbox"/> TOWF-NO1	One Towing Device - Front	<input type="checkbox"/> TC-MAOH2	High performance transmission cooler
<input type="checkbox"/> TOWF-NO2	Two Towing Devices - Front	<input type="checkbox"/> TC-MWO	High performance transmission cooler
<input type="checkbox"/> TOWR-ONE	Single tow device	<input type="checkbox"/> TC-MWOH2	High performance transmission cooler
<input type="checkbox"/> TREL15	15 pin elec. trailer connection	<input type="checkbox"/> 1COMP530	Air Compressor - 530 litres/minute
<input type="checkbox"/> TREL7	7 pin elec. trailer connection (24N)	<input type="checkbox"/> 2COM1080	High volume air compressor
<input checked="" type="checkbox"/> TREL7-7	2x7 pin elec. trailer connectors (24N & 24S)	<input type="checkbox"/> 2COM1100	Air Compressor - 1100 litres/minute
<input type="checkbox"/> TRBR-HCF	Hand controlled trailer brake, full pressure	<input checked="" type="checkbox"/> 2COMP870	Air Compressor - 870 litres/minute
<input type="checkbox"/> TRBR-HCR	Hand controlled trailer brake, reduced pressure	<input type="checkbox"/> 2COMP900	Air Compressor - 900 litres/minute
<input checked="" type="checkbox"/> TRBR-STA	Stationary Trailer Brake Control	<input type="checkbox"/> CLU-AIRC	Clutchable air compressor
<input type="checkbox"/> TRB-STRE	Automatic Trailer Brake Activation (Stretch Brake)	<input checked="" type="checkbox"/> AIRIN-HI	High air intake, roofline position
<input checked="" type="checkbox"/> RFEND-B	Rear mudguards - standard	<input type="checkbox"/> AIRIN-LO	Low air intake, rear of cab position
<input type="checkbox"/> RFH-HIG	Highest possible mudguard height	<input type="checkbox"/> ACL1ST-S	Air cleaner with two stage filter element
<input type="checkbox"/> RFH-LOW	Lowest possible mudguard height	<input checked="" type="checkbox"/> 24A110BL	Alternator - 110 Amp
<input type="checkbox"/> ATANK-AL	Aluminium airtanks	<input type="checkbox"/> 24A150BL	Alternator - 150 Amp
<input type="checkbox"/> TL-LED	LED Tail Lights	<input type="checkbox"/> 24A180BL	Alternator - 180 Amp
		<input type="checkbox"/> 24AL110B	Alternator - 110 Amp
		<input type="checkbox"/> 24AL150B	Alternator - 150 Amp (Eu5)
		<input type="checkbox"/> PRIM-EL	Pump Prime - Electrical
		<input checked="" type="checkbox"/> PRIM-MAN	Pump Prime - Manual

Standard Equipment Optional Equipment

For more detailed information about cab and powertrain equipment, please refer to separate specification sheets.

For all possible options and combinations of options please consult your Volvo sales contact who can create a specification to match your requirements using the Volvo Sales Support system (VSS).

The factory reserves the right to modify design and change equipment without previous notification. The specification can vary from country to country.

MODEL RANGE

FM D13 42 TRACTOR DIESEL REAR AIR FM 42T 3A

- FUEQ-EH** Fuel line heater equip.
- AF-E** Auxiliary fuel filter, electrically heated
- AF-R** Recirculation heated fuel filter
- **FUEFE2LW** Dual fuel filter, engine mounted with water separator-large
- **FUEFE2SW** Dual fuel filter, engine mounted with water separator-small
- EST-AID** Engine starting aid
- 220EBH15** 220V/1.5kw engine block heater
- PTER-100** PTO Engine Rear Mounted with Flange DIN100/ISO7646
- PTER-DIN** Power Take Off / splined shaft groove (female) DIN5462.
- PTER1400** Rear engine mounted power-take-off with flange SAE 1410
- HPE-F101** F1-101 Hydraulic pump rear engine mounted
- HPE-F41** F1-41 Hydraulic pump rear engine mounted
- HPE-F51** F1-51 Hydraulic pump rear engine mounted
- HPE-F61** F1-61 Hydraulic pump rear engine mounted
- HPE-F81** F1-81 Hydraulic pump rear engine mounted
- HPE-T53** F2-53/53 twin flow hyd pump rear engine mounted
- HPE-T70** F2-70/53 twin flow hyd pump rear engine mounted
- HPE-V45** V1-45 variable pump rear engine mounted
- HPE-V75** V1-75 variable pump rear engine mounted
- PTPT-D** PTO DIN - Powertronic
- PTPT-F** PTO Flange Connection - Powertronic
- PTR-D** Low speed PTO with DIN connection
- PTR-DH** High speed PTO with DIN connection
- PTR-DM** Medium speed PTO with DIN connection
- PTR-F** PTO Flange Connection - 100% speed
- PTR-FH** High speed PTO with flange connection
- PTR-FL** Low speed PTO with flange connection
- PTRD-D** PTO with 2 DIN connections rear + 1 DIN connection front
- PTRD-D1** PTO with 1 DIN + 1 flange connection rear + 1 DIN connection front
- PTRD-D2** PTO with 2 flange connection rears + 1 DIN connection front
- PTRD-F** PTO with 1 DIN + 1 flange connection rear
- HPG-F101** F1-101 hydraulic pump gearbox mounted
- HPG-F41** F1-41 hydraulic pump gearbox mounted
- HPG-F51** F1-51 hydraulic pump gearbox mounted
- HPG-F61** F1-61 hydraulic pump gearbox mounted
- HPG-F81** F1-81 hydraulic pump gearbox mounted
- STWM-LE** Steering wheel material - leather
- DRC-AMII** DPF Regeneration- Auto Initialise/Manual on Demand/Manual Inhibit
- **DRC-AUTO** DPF Regeneration- Fully Automatic (in motion)
- 1DAYB** 1DAY-STD/SI-GRAF/basic setting
- 1DAYDIG** 1DAY-STD/SI-GRAF/digital
- **1DAYDIG4**
- ARSL** Additional road speed limiter
- **ACCLF-D** Acceleration Limiting Feature - Disabled
- ACCLF-E** Acceleration Limiting Feature - Enabled
- **ESP-BAS1** ESP Package (Tractor/Trailer Combinations with ABS/EBS Or Rigid with Standard COG)
- ESPC-RO** ESP functionality control reduced/off
- HWSS-AC** ACC & Forward Collision Warning
- HWSS-ACB** ACC & forward collision warning & emergency braking.
- **HWSS-FCB** Forward Collision Warning including Emergency Braking
- **LSS-DW** With lane departure system
- LSS-DW3** Pilot Assist - Active Continuous Lane Keeping
- LCS2** Lane Change Support with Side Collision Avoidance (LHS)
- **LCS4**
- **DAS-W** Driver alert support warning
- RSENS-W** Rain sensor to activate wipers
- **CU-ECC** Climate controlled air conditioning
- CU-ECC2** Electronically Controlled Air Conditioning with Air Quality Sensor & Carbon Filter
- CU-MCC** Manual controlled air conditioning
- **IGT-BUT** Ignition Type - Push Button
- **IMMOBIL** Engine Immobiliser
- ALARM-E** Anti-theft alarm (cab & body/trailer)
- ISUNS-BS** Interior Side Sunvisor - Both Doors
- **ISUNS-DS** Interior Side Sunvisor - Driver's Door
- ISUNF-B** Interior front sunvisor - standard
- ISUNF-MD** Interior front sunvisor - with mirror (driver's side)
- ISUNF-RE** Windscreen Interior Sunvisor - Electric
- **ISUNF-RM** Windscreen Interior Sunvisor - Manual
- ADFS** 2 Din Slots in Front Shelf
- BUPALARM** Reverse alarm
- RTOLL-PK** Road toll prep kit
- LOADIND** Load indicator, electronic controlled suspension (SUSPL-EC)
- REMC-MF** Multifunction Wireless Remote Control
- FIREX3FR** Fire extinguisher, 3 kg, French decal
- FIREXT2F** Fire extinguisher, 2 kg, French decal
- FIREXT2G**
- FIREXT3D** Fire extinguisher, 3 kg, Danish decal
- FIREXT3F** Fire extinguisher, 3 kg, Finnish decal
- FIREXT3N** Fire extinguisher, 3 kg, Norwegian decal
- FIREXT3P** Fire extinguisher, 3kg, Portuguese decal
- FIREXT3S** 3kg fire extinguisher
- WARNVEST** Warning vest
- **WARNTRI2** 2 warning triangles
- AIDKIT** First aid kit
- AIDKIT1B** First aid kit-German market demands
- WARNLAMP** Portable warning lamp
- LAMP-IN** Inspection lamp
- BULBKIT** Bulb and fuse kit
- WRITEPAD** Storable steering wheel fit clip board
- **DST-CF1** Driver seat comfort suspended
- DST-CF4** Fully adjustable driver's comfort seat Air suspension
- DST-CF5** Fully adjustable driver's comfort seat Air suspension, heated, integrated safety belt
- DST-CF6** Fully adjustable driver's comfort seat Air suspension, integrated safety belt
- DST-STD2** Driver seat standard, suspended
- SBD-RED** Red safety belts, pass. & driver seats
- SBPRE-DS** Drivers seat belt pretensioner
- PST-BAS1** Basic passenger's seat
- PST-CF4** Fully adjustable passengers comfort seat Air suspension, integrated safety belt
- PST-CF5** Fully adjustable passenger comfort seat Air suspension, heated, safety belt
- **PST-STD2** Passenger Seat Basic 2 Armrests
- PST-STD4** Passenger Seat Basic 2 Armrests Susp
- SBPRE-PS** Passenger seatbelt pretensioner
- ARMRE-BB** Armrests both sides - driver's & passenger's seat
- ARMRE-DB** Armrests both sides - driver's seat
- ARMRE-PB** Armrests both sides - passenger's seat
- ARU-BAS** Seat armrest upholstery - basic
- ARU-LEA** Seat armrest upholstery - leather
- **FMAT-RUB** Floor Mats - Rubber
- FMAT-TX2** Floor Mats - Textile & Rubber
- **LBK70** Lower Bunk 700mm Wide
- MATL-FI** Spring Mattress Lower Bunk - Firm (100kg +)
- **MATL-SF** Mattress lower bunk - semi firm
- OLMAT-BA** Mattress overlay - basic

■ Standard Equipment

Optional Equipment

For more detailed information about cab and powertrain equipment, please refer to separate specification sheets.

For all possible options and combinations of options please consult your Volvo sales contact who can create a specification to match your requirements using the Volvo Sales Support system (VSS).

The factory reserves the right to modify design and change equipment without previous notification. The specification can vary from country to country.

MODEL RANGE

FM D13 42 TRACTOR DIESEL REAR AIR FM 42T 3A

<input type="checkbox"/> OLMAT-PR	Mattress overlay - premium	<input type="checkbox"/> MIRCMS	Camera Monitor System - Without Exterior Mirrors
<input type="checkbox"/> TBK60F	Top bunk 600mm wide, foldable	<input checked="" type="checkbox"/> MIRCUMF	Electrically heated and operated exterior mirrors with wide angle mirrors on both sides and close view mirror on passenger side.
<input type="checkbox"/> TBK70F	Top Bunk 700mm Wide - Foldable	<input type="checkbox"/> MIRCUMFX	Electrically Heated & Operated Convex Glass Mirrors
<input type="checkbox"/> PH-CAB2	Cab parking heater 2kw	<input checked="" type="checkbox"/> AMIR-F20	Close view mirror
<input type="checkbox"/> PH-ENGCA	Cab and engine parking heater	<input type="checkbox"/> SUNV-H	Exterior Sunvisor
<input type="checkbox"/> PH-SS	Cab parking heater short stop	<input type="checkbox"/> AD-ROOF	Aero-dynamic roof mounted deflector
<input type="checkbox"/> SLCP-BAS	Sleeper Control Panel - Standard	<input type="checkbox"/> AD-SIDEL	Aero-dynamic cab side deflectors
<input type="checkbox"/> ETSB-F	Engine Tunnel Storage Box	<input type="checkbox"/> AD-SIDES	Aero-dynamic cab side deflectors
<input type="checkbox"/> ETSB-FR	Storage Box - Engine Tunnel & Rear Cab Wall	<input type="checkbox"/> AD-CHASX	Chassis skirts
<input type="checkbox"/> ETSB-FRS	Engine Tunnel Storage Box - Front, Rear & Side	<input type="checkbox"/> ADCF-F	Additional aero device-chassis fairing flap
<input type="checkbox"/> ETSB-FS	Engine Tunnel Storage Box - Front & Side	<input type="checkbox"/> HL-BASIC	Standard head lamps
<input type="checkbox"/> ETSB-R	Rear Cab Wall Storage	<input checked="" type="checkbox"/> HL-LED	LED Headlights
<input type="checkbox"/> ETSB-RS	Engine Tunnel Storage Box - Rear & Side	<input type="checkbox"/> HBDA-A	Automatic High Beam De-Activation
<input type="checkbox"/> ETSB-S	Engine Tunnel Storage Box & Right Side Space for Binder	<input checked="" type="checkbox"/> HL-CLEAN	Head lamp cleaning system
<input type="checkbox"/> RUS-BAS	Rear Upper Cab Storage - 154 Litres for Sleeper/Globetrotter & 60 Litres for Day Cab	<input type="checkbox"/> HLP-ST	Headlight Protection - Steel
<input type="checkbox"/> RUS-HIG	Rear Upper Cab Storage - 245 Litres	<input type="checkbox"/> HL-ADJ	Headlight Adjustment - Manual
<input type="checkbox"/> REF-ICPK	Refrigerator Preparation Kit on Engine Tunnel	<input checked="" type="checkbox"/> DRL-LED	V-shaped LED Daytime Running Light
<input type="checkbox"/> REFR-RUS	28 Litre Refrigerator in Upper Rear Storage	<input type="checkbox"/> DRIVL2	Integrated driving lamps
<input type="checkbox"/> MICRO-PK	Preparation Kit for Microwave	<input checked="" type="checkbox"/> UDRIVL	Without Integrated Driving Lights
<input type="checkbox"/> BOTH-D	Bottle Holder in Driving Area	<input checked="" type="checkbox"/> FOGL-WC	Integrated fog lamps
<input type="checkbox"/> COFMA-PK	Coffee maker prep kit	<input type="checkbox"/> CL-STAT	Corner light-static
<input checked="" type="checkbox"/> INLI-BAS	Interior night lights	<input type="checkbox"/> ASL-RF2	Spotlights Inside Globetrotter Sign Box
<input type="checkbox"/> INLI-NL	Interior White & Red (night) Light	<input type="checkbox"/> IDLAMP-A	Identification Lamps - Amber
<input type="checkbox"/> INLI-NLD	Interior light including night light and dimmer function	<input type="checkbox"/> IDLAMP-W	Identification Lamps - white
<input type="checkbox"/> ARL-FLEX	Flexible Reading Lamp (Snake Light)	<input type="checkbox"/> IDLMPSW	Switch in cab for identification lamps
<input checked="" type="checkbox"/> RH-EE	Sky Window - Emergency Exit Roof Glass (tinted)	<input type="checkbox"/> BEACOA2F	2 amber rotating lights- front of roof
<input type="checkbox"/> RH-ER	Roof Hatch - Electric (Metal Emergency Exit)	<input type="checkbox"/> BEACOA2R	2 amber rotating lights- rear of roof
<input type="checkbox"/> RH-ETR	Roof Hatch - Electric (Tinted Glass & Rear Opening)	<input type="checkbox"/> BEACON-P	Beacon Light Wire Preparation
<input type="checkbox"/> RH-MTR	Roof Hatch - Manual (Tinted Glass & Rear Opening)	<input type="checkbox"/> BEACONA4	4 amber rotating lights
<input type="checkbox"/> GLAS-UNT	Clear window glass	<input type="checkbox"/> CABPT-R1	1 cab roof pass through on driver's side
<input type="checkbox"/> SWIND-BS	Cab side window-both sides	<input checked="" type="checkbox"/> CABPT-R2	2 cab roof pass throughs, 1 on each side
<input type="checkbox"/> SWIND-PS	Cab Passenger Side Aux. Window	<input type="checkbox"/> SPOTP-F	Aux spotlamp preparation, 280W maximum
<input type="checkbox"/> AWIND-RF	Cab Rear Window- Fitted	<input type="checkbox"/> SPOTP-R	Spot light preparation on roof, max 280W
<input type="checkbox"/> VANMIR	Vanity Mirror	<input type="checkbox"/> SPOTP-RF	Spot light preparation in front and on roof, max 280W
<input type="checkbox"/> AS-FUS	Auxiliary Shelf - Front Upper Storage	<input type="checkbox"/> ROS-IL	Illuminated roof sign
<input type="checkbox"/> INFOT-PK	LCD screen mount - 6kgs max	<input type="checkbox"/> ROS-IL2	Illuminated Cab Sign Prep Kit
		<input type="checkbox"/> ROS-ILP	Illuminated Cab Sign Prep Kit
		<input type="checkbox"/> CSGN-GTR	Globetrotter decal
		<input checked="" type="checkbox"/> HORN-F1S	Single Electric Jericho Air Horn (Behind Grill)
		<input type="checkbox"/> HORN-R2S	Chromed air horns, two roof mounted
		<input type="checkbox"/> ANT-CBR	Antenna for CB Radio (Single Antenna)
		<input type="checkbox"/> ACCBR-AP	Accessory bracket-forward, mid & rearward roof mounted
		<input type="checkbox"/> ACCBR-F	Accessory bracket-forward roof mounted
		<input type="checkbox"/> ACCBR-FM	Accessory bracket-forward & mid roof mounted
		<input type="checkbox"/> ACCBR-FR	Accessory bracket-forward & rearward roof mounted
		<input type="checkbox"/> ACCBR-M	Accessory bracket-mid roof mounted
		<input type="checkbox"/> ACCBR-R	Accessory bracket-rearward roof mounted
		<input type="checkbox"/> ACCBR-RM	Accessory bracket-rearward & mid roof mounted
		<input type="checkbox"/> RFCAR-BC	Rear fender carrier-back of cab
		<input type="checkbox"/> LADDER	Ladder back of cab
		<input type="checkbox"/> REFS-TW	Reflecting stripes transport mounted on cab - white
		<input type="checkbox"/> REFS-TY	Reflecting stripes transport mounted on cab - yellow
			Superstructure
		<input type="checkbox"/> 5WM-ASL	5th wheel mounting- air slider-low
		<input type="checkbox"/> 5WM-ASM	5th wheel mounting- air slider medium

Standard Equipment

Optional Equipment

For more detailed information about cab and powertrain equipment, please refer to separate specification sheets.

For all possible options and combinations of options please consult your Volvo sales contact who can create a specification to match your requirements using the Volvo Sales Support system (VSS).

The factory reserves the right to modify design and change equipment without previous notification. The specification can vary from country to country.

MODEL RANGE

FM D13 42 TRACTOR DIESEL REAR AIR FM 42T 3A

<input type="checkbox"/> 5WM-DH	5th wheel mounting-double heights	<input type="checkbox"/> TGW-PK	Telematics gateway prep kit
<input type="checkbox"/> 5WM-ISOL	5th wheel mounting plates-low, on L profiles	<input type="checkbox"/> FMS-PK	Fleet management system gateway
<input type="checkbox"/> 5WM-ISOM	5th wheel mounting plates-medium, on 50mm L profiles	<input type="checkbox"/> DRUT1	"My Truck" Smartphone App. 1 Year Prepaid
<input checked="" type="checkbox"/> 5WM-LPRO	5th Wheel L-Profiles	<input type="checkbox"/> DRUT2	"My Truck" Smartphone App. 2 Year Prepaid
<input type="checkbox"/> 5WM-MASL	5th wheel mounting- adjustable	<input type="checkbox"/> DRUT3	"My Truck" Smartphone App. 3 Year Prepaid
<input type="checkbox"/> 5WM-MASM	5th wheel mounting- adjustable medium L-profiles	<input type="checkbox"/> DRUT4	"My Truck" Smartphone App. 4 Year Prepaid
<input type="checkbox"/> 5WH140	Leg height 140mm (5.51")	<input type="checkbox"/> DRUT5	"My Truck" Smartphone App. 5 Year Prepaid
<input type="checkbox"/> 5WH150	Leg height 150mm (5.90")	<input checked="" type="checkbox"/> TSRS	Traffic Sign Recognition System (ISA Compliant)
<input checked="" type="checkbox"/> 5WH160	Leg height 160mm (6.29")	<input type="checkbox"/> TSRS2	Traffic Sign Recognition System
<input type="checkbox"/> 5WH175	Leg height 175mm (6.88")		
<input type="checkbox"/> 5WH17D37	lowest leg height 167mm.. highest height 367mm		
<input type="checkbox"/> 5WH185	Leg height 185mm (7.28")		
<input type="checkbox"/> 5WH195	Leg height 195mm (7.67")		
<input type="checkbox"/> 5WH200	Fifth wheel leg height - 200mm		
<input type="checkbox"/> 5WH205	Leg height 205mm (8.07")		
<input type="checkbox"/> 5WH210	Leg height 210mm (8.26")		
<input type="checkbox"/> 5WH220	Leg height 220mm (8.66")		
<input type="checkbox"/> 5WH230	Leg height 230mm (9.05")		
<input type="checkbox"/> 5WT-FO14	Fontaine 5th wheel-pressed 150		
<input type="checkbox"/> 5WT-FO15	Fontaine 5th wheel-cast 3000		
<input checked="" type="checkbox"/> 5WT-JO10	Jost 5th wheel-JSK36		
<input type="checkbox"/> 5WT-JO8	Jost 5th wheel-JSK37		
<input type="checkbox"/> 5WT-JO9	Jost 5th wheel-JSK42		
<input type="checkbox"/> 5WT-SH	SAF Holland +GF SK 36.20		
<input checked="" type="checkbox"/> 5WLM-B	5th wheel lub maint. level-standard		
<input type="checkbox"/> 5WLM-L	5th wheel lub maint. level-low		
<input type="checkbox"/> 5WL-S1	5th wheel lub sys. 1, king pin lock & top plate		
<input type="checkbox"/> 5WL-S2	5th wheel lub sys. 2, king pin lock		
<input type="checkbox"/> TCIND	Trailer connected indicator		
<input checked="" type="checkbox"/> RDECK	Rear deck small 500mm		
<input type="checkbox"/> RDECK-M	Rear deck medium 750mm		
<input type="checkbox"/> SRWL-2RA	2 amber rear chassis mounted working lamps		
<input type="checkbox"/> SRWL-2RW	2 Rear Chassis Mounted Working Lamps - White		
<input type="checkbox"/> SRWL-PK	Wiring Prep for Chassis Mounted Reverse/Working Lamps - 3 Position Switch		
<input type="checkbox"/> SWL-2RA	2 amber side working lamps (rearward facing)		
<input type="checkbox"/> SWL-2RW	2 Side Working Lamps - White (Rearward Facing)		
<input type="checkbox"/> SWL-PK	Wiring Prep for Chassis Mounted Working Lamps - 2 Position Switch		
<input type="checkbox"/> WL-TA1A	Fifth wheel light-amber		
<input type="checkbox"/> WL-TA1W	Fifth wheel light		
<input type="checkbox"/> WLC-H2W	2 LED work lamps - High Mounted with White Lens.		
<input type="checkbox"/> WLC-PKH	Prep Kit for High Mounted Work Lamps		
<input type="checkbox"/> WLC-PKL	Prep Kit for Low Mounted Work Lamps		
<input type="checkbox"/> WLC-PKLH	Prep Kit for Low and High Mounted Work Lamps		
<input checked="" type="checkbox"/> ECBB-BAS	B/B Elect. Centre without B/B Module		
<input type="checkbox"/> ECBB-HIG	Body Builder Module - Cab Module (14 High/4 Low)		
<input type="checkbox"/> ECBB-MED	Body Builder Module - Cab Module (7 High/4 Low)		
<input type="checkbox"/> BBCHAS1	Body Builder Chassis Electrical Interface - 1 x 7 Pin Connector		
<input type="checkbox"/> BBCHAS3	Body Builder Chassis Electrical Interface - 3 x 7 Pin Connectors		
<input type="checkbox"/> BEPR-T2	Body Builder electrical prep. for tipper with remote control		
<input type="checkbox"/> EXSTER	External Steering via Body Builder's Module		
<input checked="" type="checkbox"/> TD-LED	LED trailer detection sensor		
<input type="checkbox"/> AUXL-SPK	Aux. lamps snow plough prep kit		
<input type="checkbox"/> TAILPRE2	Taillift preparation kit for wireless remote		
<input type="checkbox"/> TAILPREP	Taillift preparation kit		
<input type="checkbox"/> AESW2	2 Flexible Switches (AUX1 and AUX2).		
<input type="checkbox"/> AESW2PK	2 Flexible Switches (AUX1 & AUX2) + Additional 4 Flexible Switches		
<input type="checkbox"/> AUXSW-4	Wiring Prep. for 4 Extra Bodybuilder Switches (switches not included)		

Delivery services

- TGW-4GWL** Telematics Gateway with 4G/LTE & WLAN

Standard Equipment Optional Equipment

For more detailed information about cab and powertrain equipment, please refer to separate specification sheets.

For all possible options and combinations of options please consult your Volvo sales contact who can create a specification to match your requirements using the Volvo Sales Support system (VSS).

The factory reserves the right to modify design and change equipment without previous notification. The specification can vary from country to country.

MODEL RANGE

FM D13 42 TRACTOR DIESEL REAR AIR FM 42T 3A

Volvo Trucks. Driving Progress