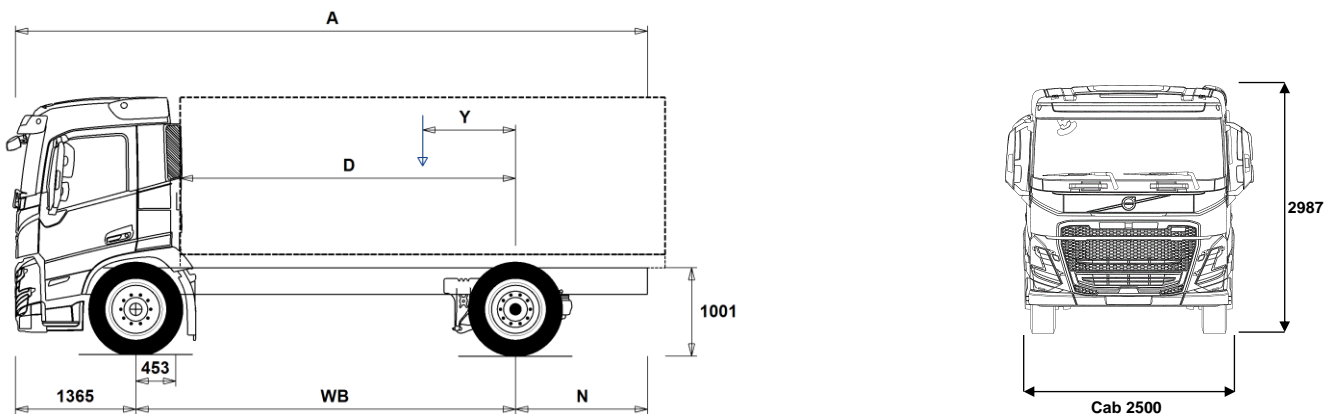


MODEL RANGE

NEW FM Battery Electric 4x2 Rigid - Full Air Suspension FM 42R E



Chassis Dimensions [mm]

WB Wheelbase	4100	4300	4600	4900	5200	5600	6000	6300	6500	6700
A Overall Chassis Length	9210	8010	8510	8960	9460	10060	10660	11210	11560	11810
D Center of rear axle to front of body	3597	3797	4097	4397	4697	5097	5497	5797	5997	6197
N Rear Overhang (Min.)	795	795	795	795	1395	1395	1395	1395	1395	1395
N Rear Overhang (Max.)	3745	2345	2545	2695	2895	3095	3295	3545	3695	3745
Y Center of Gravity for Payload (Min.)	442	392	379	360	340	313	273	248	236	214
Y Center of Gravity for Payload (Max.)	1111	1091	1129	1162	1196	1240	1277	1309	1333	1348

Chassis Weights [kg]

Front Axle	5515	5665	5750	5835	5910	6000	6095	6155	6180	6220
Rear Axle	3295	3100	3050	3010	2980	2945	2935	2935	2930	2920
Kerb Weight	8810	8765	8800	8845	8890	8945	9030	9090	9110	9140
Payload (including body, driver, fuel, etc.)	9190	9235	9200	9155	9110	9055	8970	8910	8890	8860

Turning Diameter [mm]

Turning Circle Diameter Kerb to Kerb	14600	15200	16100	17000	17900	19200	20400	21300	21900	22500
Turning Circle Diameter Wall to Wall	16000	16600	17500	18400	19400	20600	21800	22700	23300	23900

Plated Weights [kg]

	Plated	Design
Gross Vehicle Weight	18000	21500
Gross Combination Weight	32000	32000
Front Axle	8000	8500
Rear Axle	11500	13000

Important Notes

Chassis Dimensions

Cab Height: +374 mm for CAB-HSLP, -204 mm for CAB-LDAY, -204 mm for CAB-LSLP, +4 mm for CAB-SLP.

Front Axle to Back of Cab: +422 mm for CAB-HSLP and CAB-LSLP and CAB-SLP.

D-measure includes a front clearance of 50 mm and for rigid trucks also a subframe of 100 mm.

Height can vary ± 20 mm for leaf and ± 10 mm for air suspension.

All dimensions are for unladen chassis and any tag axles down. Chassis height used: CHH-MED.

Height change when chassis height CHH-HIGH: 0 mm.

Weight and dimensions are based upon the following tyres:

Front Axle Tyres: 315/80R22.5

Drive Axle Tyres: 315/80R22.5

Chassis weight includes oil, water, AdBlue, 0 litres fuel and without driver. Kerb weight can vary ± 10%.

Turning diameters are theoretically calculated.

Legal weights can differ from country to country.

For more detailed weight information, including optional equipment weights, ask your Volvo sales contact to enter your specification into the Volvo Weight Information system (WIS).

Do NOT use this drawing for bodybuilding. Refer to Volvo Bodybuilder Instructions and chassis assembly drawing FM42RE.

MODEL RANGE

NEW FM Battery Electric 4x2 Rigid - Full Air Suspension FM 42R E

TRUCK USE

- **RC-SMOOT** Road Conditions - Smooth
- **GARB-PRE** Transport Adaption - Refuse preparation
- **TIPP-PRE** Transport Adaption - Tipper vehicle preparation
- **UNIFORM** Transport Adaption - Basic platform vehicle

CORE COMPONENTS

- **CHH-HIGH** Chassis Height - High - for loading heights check the unique BEP chassis drawing attached to this quote
- **CHH-MED** Chassis Height - Medium - for loading heights check the unique BEP chassis drawing attached to this quote
- **RAD-GR** RAD-GR - 4x2 Air - High
- **FME-DAY** Cab - Day - steel safety cage design
Designed and built to Swedish impact and ECE R29 regulations
- **FME-HSLP** Cab - Globetrotter - all-steel safety cage design with a roof-mounted emergency escape hatch.
Designed and built to Swedish impact and ECE R29 regulations
- **FME-LDAY** Cab - Low Day - steel safety cage design
Designed and built to Swedish impact and ECE R29 regulations
- **FME-LSLP** Cab - Low sleeper - with steel safety cage design
Designed and built to Swedish impact and ECE R29 regulations
- **FME-SLP** Cab - Sleeper - all-steel safety cage design with a roof-mounted emergency escape hatch.
Designed and built to Swedish impact and ECE R29 regulations
- **EPT2412** Gearbox - I-shift Automated 12-speed - suitable for gross train weights up to 44tonne
- **NEM2** Electric Motors - 2 - Output 330 kW - 450hp continuous power
- **NEM3** Electric Motors - 3 - Output 490 kW - 666hp continuous power
- **RSS1344C** Drive Axle - RS1344C single reduction with differential lock - design GCW 44 tonne
- **RSS1344E** Drive Axle - RSS1344E single reduction with differential lock - design GCW 44 tonne
- **RSS1370A** Drive Axle - RSS1370A single reduction 13 tonne with differential lock - design GCW 70 tonne

PACKAGES

- **INFONDF** Media Information Platform with Navigation & Volvo Connect "On board" Support
- **DRIV-E** Cab Package - Drive
- **DRIV-E+** Cab Package - Drive +
- **DRIV-E++** Cab Package - Drive ++
- **1LIVFM-E** Sleep & Resting Package - Living one-bed
- **2LIVFM-E** Sleep & Resting Package - Living two-bed
- **GSR2024** GSR2 Safety Package - includes moving off information, cyclist and pedestrian side sensors, reverse camera, driver alert support, tyre pressure monitoring, intelligent speed assist, alcohol lock preparation interface, and emergency brake lights
- **GSR2024+** GSR2 Safety Package - includes moving off information, cyclist and pedestrian side sensors, reverse camera, driver alert support, tyre pressure monitoring, intelligent speed assist, alcohol lock preparation interface, and emergency brake lights. Plus Volvo dynamic steering with lane keeping corrective steering, trailer stretch brake and adaptive cruise control
- **RANGOPT5** Range Optimisation Package - 5 years prepaid subscription

CHASSIS

- **FST-AIR** Front suspension type - Air
- **FSLs-BAS** Front suspension levelling - basic stroke
- **FSLs-HI** Front suspension levelling - high stroke for demount operations - check with bodybuilder
- **FAL10.0** Front axle design capacity - 10 tonne - check tyre capacity
- **FAL8.0** Front axle design capacity - 8.0 tonne - check tyre capacity
- **FAL8.5** Front axle design capacity - 8.5 tonnes

- **FAL9.0** Front axle design capacity - 9.0 tonne - check tyre capacity
- **FSTAB** Front anti-roll bar - Normal stiffness
- **FSTAB2** Front anti-roll bar - Medium stiffness
- **FSTAB3** Front anti-roll bar - High stiffness
- **RAL13** Rear axle design capacity - 13 tonne
- **RSTAB1** Rear anti-roll bar - Normal stiffness
- **RSTAB3** Rear anti-roll bar - Stiff
- **ASF-DL1** Air suspension with 1 driving level
- **ASF-DL3** Air suspension with 3 driving levels
- **ASF-DLL** Air suspension with automatically lowered drive height over 60km/h
- **ACTST-TO** Active Steering- Volvo Dynamic Steering - VDS - with extra electronic pump and torque overlay
- **ASFE-BAS** Active steering feature - Basic - Volvo Dynamic Steering - VDS - only
- **ASFE-OG** Active steering feature - Volvo Dynamic Steering - VDS - with stability assist - oversteer
- **ASFE-PO** Active steering feature - Volvo Dynamic Steering - VDS - with personal settings and stability assist
- **ASFE-PS** Active steering feature - Volvo Dynamic Steering - VDS - with personal settings
- **AUXPARK** Auxiliary parking brake - Additional spring brakes
- **RST-AIR** Rear suspension type - Air
- **FRAME266** Chassis frame section external height - 266 mm
- **FRAME300** Chassis frame section external height - 300 mm
- **FST8080** Chassis frame thickness - 8 mm web and flange
- **FIL-EEEB** Chassis frame inner liner - From the end of the engine to the end of the bogie
- **FIL-EEEF** Chassis frame inner liner - From the end of the engine to end of the frame
- **FIL-TXEB** Chassis frame inner liner - From gearbox member to the end of the bogie
- **FIL-TXEF** Chassis frame inner liner - From gearbox member to the end of the frame
- **BATTAMP** Battery management - Voltage and current gauge
- **BATTIND** Battery management - Voltage, current and charge indicators
- **WHC-FIX1** Wheel chock - One fixed design
- **WHC-FIX2** Wheel chocks - Two fixed design
- **WHC-FOL1** One foldable wheel chock
- **WHC-FOL2** Two foldable wheel chocks
- **WHCP-M** Wheel chock carrier position - Middle part of the vehicle
- **WHCP-R** Wheel chock carrier position - In the rear part of the vehicle
- **WHCP-T** Wheel chock carrier position - Outer luggage locker
- **SUP-BAS** Side guards - Check with bodybuilder chassis space requirements
- **CHAIN-S** Snow chains
- **HOOK-SC** Snow chain hooks
- **TOWF-NO1** Front towing device - One detachable - stored in cab
- **TOWF-NO2** Front towing device - Two detachable - stored in cab
- **TOWMBRH** Towing member, high mounted in centre of frame, D = 190
- **TOWMBRL1** Towing member, low mounted under the frame
- **TOWMBRL2** Towing member, low and forward mounted under the frame
- **TOWMBRL3** Towing member, low and far forward mounted under the frame
- **TOWMBRM** Towing member, medium mounted in line with frame lower flange
- **RFEC-L** Rear frame profile - Lower flange cut for centre axle drawbar
- **RFEC-S** Rear frame profile - Straight cut
- **RFEC-U** Rear frame profile - Slight uppercut for tippers
- **C-RI4040** Towing coupling, Ringfeder 4040A
- **C-RI5050** Towing coupling, Ringfeder 5050A
- **C-RO400G** Towing coupling, Rockinger 400 G-150 for 40mm eyes
- **C-RO50** Rockinger RO 50 50mm for centre axle trailer
- **C-VBG520** VBG 5200D-3 coupling (Not suitable for centre axle trailers)
Contact VBG on 01925 234111 to validate

- Standard Equipment
- Optional Equipment

For more detailed information about cab and powertrain equipment, please refer to separate specification sheets.

For all possible options and combinations of options please consult your Volvo sales contact who can create a specification to match your requirements using the Volvo Sales Support system (VSS).

The factory reserves the right to modify design and change equipment without previous notification. The specification can vary from country to country.

MODEL RANGE

NEW FM Battery Electric 4x2 Rigid - Full Air Suspension FM 42R E

<input type="checkbox"/> C-VBG795	the coupling rating for the application VBG 795V-3 coupling (centre axle trailer)	<input type="checkbox"/> HPM-T70	Hydraulic pump - F2-70/35 for electrical motor, twin flow displacement pump
<input type="checkbox"/> TOWR-ONE	Towing hitch attached to rear crossmember	<input type="checkbox"/> HPM-V130	Hydraulic pump - VP1-130 for electrical motor, variable displacement pump.
<input type="checkbox"/> TREL-PK	Trailer electrical preparation kit - chassis/cab wiring	<input type="checkbox"/> HPM-V45	Hydraulic pump - VP1-45 for electrical motor, variable displacement pump.
<input type="checkbox"/> TREL14	Single 14 pole electrical trailer connector	<input type="checkbox"/> HPM-V75	Hydraulic pump - VP1-75 for electrical motor, variable displacement pump.
<input type="checkbox"/> TREL15	Trailer electrical connection - Single 15 pin - ADR certified	<input type="checkbox"/> HPM-V95	Hydraulic pump - VP1-95 for electrical motor, variable displacement pump.
<input type="checkbox"/> TREL7-7	Trailer electrical connection - 2 x 7 pin - 24N and 24S		
<input type="checkbox"/> TBC-DUO	Trailer brake connections - Duomatic type	<input type="checkbox"/> PTR-D	Gearbox PTO for plug-in pump, 0.71xeng speed
<input type="checkbox"/> TBC-EC	Trailer brake connections - EC palm coupling connectors	<input type="checkbox"/> PTR-DH	Gearbox driven high speed PTO for one plug-in hydraulic pump
<input type="checkbox"/> TRBR-HCF	Full pressure hand controlled trailer brake	<input type="checkbox"/> PTR-DM	Gearbox driven medium speed PTO for one plug-in hydraulic pump
<input type="checkbox"/> TRBR-STA	Stationary trailer brake control	<input type="checkbox"/> PTR-F	Gearbox driven PTO with rear flange connection
<input type="checkbox"/> TRB-STRE	Stretch Brake - Automatic low speed trailer brake activation to avoid jack-knifing and improve steerability	<input type="checkbox"/> PTR-FH	Gearbox driven high speed PTO with SAE drive flange
<input type="checkbox"/> RFEND-B	Rear mud wings - Three piece EC approved and spray flaps	<input type="checkbox"/> PTR-FL	Gearbox driven low speed PTO with SAE drive flange
<input type="checkbox"/> RFEND-T	Rear mud wings - Temporary on drive axle for transport delivery only	<input type="checkbox"/> PTRD-D	Gearbox driven HIGH SPEED PTO for two plug-in hydraulic pumps
<input type="checkbox"/> RFH-BAS	Basic rear wing height	<input type="checkbox"/> PTRD-D1	PTRD-D1 Gearbox driven HIGH SPEED PTO (1 SAE flange & 1 plug-in hydraulic pump)
<input type="checkbox"/> RFH-HIG	High rear wing height - higher wing tops	<input type="checkbox"/> PTRD-D2	Gearbox driven HIGH SPEED PTO (2 SAE flanges & 1 plug-in hyd pump)
<input type="checkbox"/> RFH-LOW	Lower rear wing height - shallower wing tops	<input type="checkbox"/> PTRD-F	PTO with 1 DIN + 1 flange connection rear, manual gearbox
<input checked="" type="checkbox"/> BLIGHT-E	Emergency brake light	<input type="checkbox"/> HPG-F101	Parker F1-101 gearbox mounted, fixed displacement, single flow, hydraulic pump
WHEELS & TYRES		<input type="checkbox"/> HPG-F41	Parker F1-41 gearbox mounted, fixed displacement, single flow, hydraulic pump
<input checked="" type="checkbox"/> RT-AL	Wheels - Howmet Alcoa brushed aluminium rims - standard holes for long stud fixing	<input type="checkbox"/> HPG-F51	Parker F1-51 gearbox mounted, fixed displacement, single flow, hydraulic pump
<input type="checkbox"/> RT-ALDP	Wheels - Howmet Alcoa Dura-Bright aluminium rims - standard holes for long stud fixing	<input type="checkbox"/> HPG-F61	Parker F1-61 gearbox mounted, fixed displacement, single flow, hydraulic pump
<input type="checkbox"/> RT-ALDPPD	Wheels - Howmet Alcoa Dura-Bright EVO aluminium rims - countersunk holes for short stud fixing	<input type="checkbox"/> HPG-F81	Parker F1-81 gearbox mounted, fixed displacement, single flow, hydraulic pump
<input type="checkbox"/> RT-ALDU	Wheels - Howmet Alcoa brushed aluminium rims - countersunk holes for short stud fixing	<input checked="" type="checkbox"/> CRUIS-E	Eco cruise control (with eco-roll and l-cruise, controls in steering wheel)
<input type="checkbox"/> RT-STEEL	Wheels - Steel rims	<input checked="" type="checkbox"/> DTRI-PER	Dashboard in darker peregrine greyish brown. Steering wheel grey and door panels in light beige for FH and black for FH16.
<input type="checkbox"/> SPWT-D	Spare wheel & tyre with rear tyre pattern	<input checked="" type="checkbox"/> STWPOS-R	Steering wheel position - RIGHT-HAND DRIVE
<input type="checkbox"/> SPWT-F	Spare wheel & tyre with front tyre pattern	<input type="checkbox"/> STWM-LE	Steering wheel - Leather
<input type="checkbox"/> SWCP-R	Rear mounted spare wheel carrier	<input checked="" type="checkbox"/> STGW-AD2	Steering wheel adjustment - Neck tilt, column height and angle
<input type="checkbox"/> SWCP-T	Spare wheel supplied temporarily strapped to chassis	<input type="checkbox"/> 1DAYB	One day analogue tachograph, basic
<input type="checkbox"/> SWCP-TP	Temporary spare wheel carrier on top of chassis frame	<input type="checkbox"/> 1DAYDIG2	Tachograph - Continental VDO 4.0
<input type="checkbox"/> JACK-12T	12 tonne bottle jack	<input checked="" type="checkbox"/> 1DAYDIG4	Smart tachograph - Continental VDO 4.1 version 2 - legal demand from 21/08/2023
<input type="checkbox"/> JACK-15T		<input type="checkbox"/> TAC-PK2	Tachograph prep Kit
<input type="checkbox"/> JACK-20T		<input type="checkbox"/> ARSL	Additional road speed limit - switch in dashboard
<input checked="" type="checkbox"/> TOOL-BAS	Basic Toolkit	<input type="checkbox"/> SPEED-DU	Dual speed limiter
<input type="checkbox"/> TOOLKIT	Complete tool kit	<input checked="" type="checkbox"/> ESP-BAS1	Electronic Stability Control ESC
<input type="checkbox"/> INFLAHOS	Tyre inflation hose	<input type="checkbox"/> ESPC-RO	Additional ESC functions - Reduced / Off
<input type="checkbox"/> GAUGE-TP	Tyre pressure gauge	<input type="checkbox"/> HWSS-AC	Forward collision warning with adaptive cruise control WITHOUT AEBS advanced emergency brake system
DRIVELINE EQUIPMENT		<input type="checkbox"/> HWSS-ACB	Forward collision warning with adaptive cruise control and AEBS advanced emergency brake system
<input checked="" type="checkbox"/> DRM-BE	Drive Mode - Balanced & Economy	<input checked="" type="checkbox"/> HWSS-FCB	Forward collision warning with AEBS advanced emergency brake system
<input checked="" type="checkbox"/> PVT-MAP	I-See Predictive Cruise Control - using map-based topography information	<input checked="" type="checkbox"/> LSS-DW	Lane departure-warning system
<input type="checkbox"/> EPTC270	Electro-mechanical Power Take Off - Output 270 Nm - transport located on top of chassis behind cab	<input checked="" type="checkbox"/> LCS4	Side Collision Avoidance Support - passenger and driver side
<input type="checkbox"/> HPM-F101	Hydraulic pump - F1-101 for electrical motor, fixed displacement pump	<input type="checkbox"/> DAS-W	Driver Alert Support system
<input type="checkbox"/> HPM-F41	Hydraulic pump - F1-41 for electrical motor, fixed displacement pump	<input type="checkbox"/> RSENS-W	Rain sensing windscreen wipers
<input type="checkbox"/> HPM-F51	Hydraulic pump - F1-51 for electrical motor, fixed displacement pump	<input checked="" type="checkbox"/> CU-ECC	Cab Climate Unit - Electrically controlled air conditioning with sun sensor
<input type="checkbox"/> HPM-F61	Hydraulic pump - F1-61 for electrical motor, fixed displacement pump	<input type="checkbox"/> CU-ECC2	Cab Climate Unit - Electrically controlled air conditioning with a carbon filter, sun, mist, and air quality sensor
<input type="checkbox"/> HPM-F81	Hydraulic pump - F1-81 for electrical motor, fixed displacement pump		
<input type="checkbox"/> HPM-T42	Hydraulic pump - F2-42/42 for electrical motor, twin flow displacement pump		
<input type="checkbox"/> HPM-T53	Hydraulic pump - F2-53/53 for electrical motor, twin flow displacement pump		
<input type="checkbox"/> HPM-T55	Hydraulic pump - F2-55/28 for electrical motor, twin flow displacement pump		

Standard Equipment

Optional Equipment

For more detailed information about cab and powertrain equipment, please refer to separate specification sheets.

For all possible options and combinations of options please consult your Volvo sales contact who can create a specification to match your requirements using the Volvo Sales Support system (VSS).

The factory reserves the right to modify design and change equipment without previous notification. The specification can vary from country to country.

MODEL RANGE

NEW FM Battery Electric 4x2 Rigid - Full Air Suspension FM 42R E

<input checked="" type="checkbox"/> IMMOBIL	Thatcham H2 approved immobiliser	<input type="checkbox"/> SLCP-BAS	Sleeper control panel - Basic with switches for interior light, night heater, roof hatch and door lock
<input type="checkbox"/> ALARM-E	Enhanced vehicle alarm - Thatcham H1 approved - Cab plus external sensor for body/trailer	<input type="checkbox"/> ETSB-F	Storage on engine tunnel - Central document box with two rear cup holders
<input type="checkbox"/> ISUNS-BS	Side sun visor - Driver & passenger side	<input type="checkbox"/> ETSB-FR	Storage on engine tunnel - Central document box with two rear cup holders & open storage pocket on cab rear wall
<input checked="" type="checkbox"/> ISUNS-DS	Side sun visor - Driver-side	<input type="checkbox"/> ETSB-R	Storage on engine tunnel - Open storage pocket on cab rear wall
<input type="checkbox"/> ISUNF-RE	Electrically operated textile interior sun blind	<input type="checkbox"/> RUS-BAS	Rear cab upper storage - 300 mm high
<input checked="" type="checkbox"/> ISUNF-RM	Manually operated textile interior sun blind	<input type="checkbox"/> RUS-HIG	Rear cab upper storage - 440 mm high - volume 245 litres
<input type="checkbox"/> ADFS	Two extra DIN slots in front shelf - can be fitted with card or drawer available as an accessory	<input type="checkbox"/> REF-ICPK	Fridge - Engine tunnel mounted preparation kit
<input checked="" type="checkbox"/> BUPALARM	Reverse alarm	<input type="checkbox"/> REFR-RUS	Fridge - 28 litre rear upper wall mounted with dividers
<input type="checkbox"/> RTOLL-PK	Road toll PREPARATION kit for trucks operating with "Toll Collect" in Germany	<input type="checkbox"/> MICRO-PK	Wiring preparation kit for microwave oven
<input checked="" type="checkbox"/> LOADIND	Load indicator with central dashboard display	<input checked="" type="checkbox"/> BOTH-D	Bottle holder - One under dashboard centre section
<input type="checkbox"/> REMC-MF	Multi-function wireless remote control	<input type="checkbox"/> COFMA-PK	Coffee maker - Preparation kit.
<input checked="" type="checkbox"/> FIREXT3S	Fire extinguisher - 3kg mounted on the seat base	<input checked="" type="checkbox"/> INLI-BAS	Interior light - White LEDs
<input type="checkbox"/> WARNVEST	High visibility warning vest - no sleeves	<input type="checkbox"/> INLI-NL	Interior light - White and red nightlight LEDs without dimmer
<input checked="" type="checkbox"/> WARNTRI2	Roadside hazard warning triangle	<input type="checkbox"/> INLI-NLD	Interior light - White and red nightlight LEDs with dimmer
<input type="checkbox"/> AIDKIT	First aid kit - Legal demand for EU markets including delivery to EU bodybuilder	<input type="checkbox"/> ARL-FLEX	Flexible reading lamps - Two "snake" type
<input type="checkbox"/> AIDKIT1B	First aid kit - Legal demand for trucks transiting Germany	<input checked="" type="checkbox"/> RH-EE	Fixed tinted glass sky window with emergency exit
<input type="checkbox"/> WARNLAMP	Portable warning lamp	<input type="checkbox"/> RH-ER	Steel roof hatch - Electrically operated, rear opening with emergency exit
<input type="checkbox"/> LAMP-IN	Inspection lamp	<input type="checkbox"/> RH-ETR	Tinted glass roof hatch - Electrically operated, rear opening with emergency exit
<input type="checkbox"/> BULBKIT	Bulb and fuse kit	<input type="checkbox"/> RH-MTR	Tinted glass roof hatch - Manually operated, rear opening with emergency exit
<input type="checkbox"/> WRITEPAD	Writing pad	<input checked="" type="checkbox"/> GLAS-TIN	Cab windows - Tinted
<input checked="" type="checkbox"/> DST-CF4	Driver seat - Suspended, adjustable shock absorber, travel, backrest & lumbar controls with integrated seatbelt	<input type="checkbox"/> AWIND-RF	Rear window
<input type="checkbox"/> DST-CF5	Driver seat - Suspended with adjustable shock absorber, travel, backrest, lumbar & heat controls with integrated seatbelt	<input type="checkbox"/> SWIND-BS	Cab side window - On both sides behind 'B' post
<input type="checkbox"/> DST-CF6	Driver seat - Suspended with adjustable shock absorber, travel, backrest, lumbar, heat and ventilation controls with integrated seatbelt	<input type="checkbox"/> SWIND-PS	Cab side window - Left side behind 'B' post
<input type="checkbox"/> SBD-RED	Seat belt colour - Red	<input type="checkbox"/> VANMIR	Vanity mirror - In front shelf
<input type="checkbox"/> PST-BAS1	Passenger seat - Fixed non suspended fold up with seatbelt mounted on cab "B" post	<input type="checkbox"/> AS-FUS	Extra shelf in front compartments
<input type="checkbox"/> PST-CF4	Passenger seat - Suspended, adjustable shock absorber, travel, backrest & lumbar controls with integrated seatbelt	<input type="checkbox"/> INFOT-PK	Preparation kit for the mounting of a flat screen TV in cab above the driver's door, includes bracket, electrical and speaker connections
<input type="checkbox"/> PST-CF5	Passenger seat - Suspended with adjustable shock absorber, travel, backrest, lumbar & heat controls with integrated seatbelt	CAB EXTERIOR	
<input checked="" type="checkbox"/> PST-STD2	Passenger seat - Fixed with backrest adjustment, non suspended with seatbelt mounted on cab "B" post	<input checked="" type="checkbox"/> EXTL-BA2	Enhanced exterior finish - Satin Volvo badges, instep, bumper, and mirror housing in cab colour. Main grille in thunder grey. Aluminium step inserts. Sunvisor and bumper spoiler in cab colour if specified.
<input type="checkbox"/> PST-STD4	Passenger seat - Standard suspended with seatbelt mounted on cab "B" post	<input checked="" type="checkbox"/> LOCK-CTL	Door locks - Central locking with key
<input type="checkbox"/> SBPRE-PS	Passenger seat belt pretensioner	<input type="checkbox"/> LOCK-REM	Door locks - Remote central locking
<input type="checkbox"/> ARMRE-BB	Armrests - Two on both driver & passenger seats	<input checked="" type="checkbox"/> BUMP-B	Plastic front bumper
<input type="checkbox"/> ARMRE-DB	Armrests - Two on the driver seat	<input type="checkbox"/> BUMP-B2	Front bumper - Steel
<input type="checkbox"/> ARMRE-PB	Armrests - Two on the passenger seat	<input checked="" type="checkbox"/> BUMP-SP	Front bumper spoiler
<input type="checkbox"/> ARU-BAS	Armrest upholstery - Vinyl	<input type="checkbox"/> CTILT-P-E	Electrically operated hydraulic cab tilt
<input type="checkbox"/> ARU-LEA	Armrest upholstery - Leather	<input checked="" type="checkbox"/> CTILT-P-M	Manually operated hydraulic cab tilt
<input checked="" type="checkbox"/> FMAT-RUB	Footwell floor mats - Rubber	<input type="checkbox"/> FCABS-A	Front cab suspension - Air
<input type="checkbox"/> FMAT-TX2	Footwell floor mats - Two sets, Rubber and textile with an embossed pile supplied in the cab	<input checked="" type="checkbox"/> FCABS-M	Front cab suspension - Mechanical spring
<input type="checkbox"/> LBK70	Lower bunk 700 x2000 mm, fixed	<input type="checkbox"/> RCABS-A	Rear cab suspension - Air
<input type="checkbox"/> MATL-FI	Firm lower bunk pocket sprung mattress	<input checked="" type="checkbox"/> RCABS-M	Rear cab suspension - Mechanical spring
<input type="checkbox"/> MATL-SF	Lower mattress - Flexi-zone semi-firm, pocket springs up to 100kg - 16 stone	<input checked="" type="checkbox"/> MIRCFPCS	Mirrors - Electrically heated and operated main and wide-angle with manually adjusted kerb view mirror on the passenger side and position camera in nearside mirror arm.
<input type="checkbox"/> OLMAT-BA	Mattress overlay protector - 35mm thick	<input type="checkbox"/> MIRCFCPX	Mirrors - Electrically heated and operated - FMX- main and wide-angle with manually adjusted kerb view mirror on the passenger side and position camera in nearside mirror arm. To increase direct vision to the side the main mirrors have no cowlings
<input type="checkbox"/> OLMAT-PR	Mattress overlay protector - Premium 50mm thick	<input checked="" type="checkbox"/> AMIR-F20	Auxiliary front view mirror with a 200mm radius
<input type="checkbox"/> TBK60F	Top bunk - Fixed foldable 600 x 1900mm	<input type="checkbox"/> SUNV-H	External smoke grey sunvisor
<input type="checkbox"/> TBK70F	Top bunk - Fixed foldable 700 x 1900mm		

Standard Equipment

Optional Equipment

For more detailed information about cab and powertrain equipment, please refer to separate specification sheets.

For all possible options and combinations of options please consult your Volvo sales contact who can create a specification to match your requirements using the Volvo Sales Support system (VSS).

The factory reserves the right to modify design and change equipment without previous notification. The specification can vary from country to country.

MODEL RANGE

NEW FM Battery Electric 4x2 Rigid - Full Air Suspension FM 42R E

<input type="checkbox"/> AD-ROOF	Cab roof deflector - Adjustable	<input type="checkbox"/> WLC-PKLH	Preparation kit - cables and switch for low and high mounted working lamps back of cab.
<input type="checkbox"/> AD-SIDES	Cab side deflector - Short extension panels	<input checked="" type="checkbox"/> ECBB-HIG	Body builder electrical centre with body builder module
<input type="checkbox"/> AD-CHASX	Chassis side skirts	<input checked="" type="checkbox"/> BBCHAS1	One 7-pole connector for Body builder interface
<input type="checkbox"/> ADCF-F	Additional black edging on chassis side skirt	<input type="checkbox"/> BBCHAS3	Three 7-pole connectors for Body builder interface
<input type="checkbox"/> HLP-ST	Headlamp protection	<input type="checkbox"/> BEPR-T2	Body builder electrical software preparation for tipper with remote control
<input type="checkbox"/> HLP-ST2	Mesh headlamp protection	<input type="checkbox"/> EXSTER	External steering control - Volvo dynamic steering and bodybuilder module prepared for external control system, installed and computer by bodybuilder
<input checked="" type="checkbox"/> DRL-LED	V-shaped daytime running lights	<input type="checkbox"/> TD-BAS	Trailer detection WITHOUT LED sensing
<input type="checkbox"/> DRIVL2	Two spot lamps	<input type="checkbox"/> TD-LED	Trailer detection with LED sensing
<input checked="" type="checkbox"/> UDRIVL	Auxiliary driving lights - Without	<input type="checkbox"/> FBA-BTF	Lower front body attachments for torsionally flexible - platform body
<input checked="" type="checkbox"/> FOGL-WC	Front fog lights	<input type="checkbox"/> FBA-BTSF	Lower front body attachments for torsionally semi-flexible body - box or curtainsider
<input checked="" type="checkbox"/> CL-STAT	Static corner lights	<input type="checkbox"/> HBA-FSFB	Holes for body attachments - flexible/semi-flexible body
<input type="checkbox"/> ASL-RF2	Two Hella H11 70W spotlamps in sign box	<input type="checkbox"/> HBA-SB	Holes for body attachments - stiff body
<input type="checkbox"/> BEACOA2F	Roof beacons - Two front roof mounted amber LED	<input type="checkbox"/> RBA-T2	Lower rear body attachments for helper frame
<input type="checkbox"/> BEACOA2R	Roof beacons - Two rear roof mounted amber LED	<input type="checkbox"/> CRANEPK1	Crane plates mounted to frame, for cranes up to 10 tonne metre capacity
<input type="checkbox"/> BEACON-P	Roof beacons - switch and wiring preparation only	<input type="checkbox"/> CRANEPK2	Crane plates mounted to frame, for cranes up to 20 tonne metre capacity
<input type="checkbox"/> BEACONA4	Roof beacons - Four amber LED - two front/ two rear	<input type="checkbox"/> CRANEPK4	Crane plates mounted to frame, for cranes up to 40 tonne metre capacity
<input type="checkbox"/> CABPT-R1	Single outlet for roof mounted accessories	<input type="checkbox"/> AUXL-SPK	Electrical preparation kit - wiring and switch for snow plough lights
<input checked="" type="checkbox"/> CABPT-R2	Twin outlets for roof mounted accessories.	<input type="checkbox"/> TAILPRE2	Tail lift preparation kit, wireless remote operation
<input type="checkbox"/> SPOTP-F	Spotlamp preparation in front, max 280W	<input type="checkbox"/> TAILPREP	Taillift preparation kit - cab switch and warning in driver display
<input type="checkbox"/> SPOTP-R	Spotlamp preparation on roof, max 280W	<input type="checkbox"/> AESW2	Two Body builder bistable electrical switches (marked AUX1 / AUX2)
<input type="checkbox"/> SPOTP-RF	Spotlamp preparation on cab roof and in cab front, max 2x280W	<input type="checkbox"/> AESW2PK	2 Body builder bistable el.switches (marked AUX1/AUX2) and prep. for 4 more switches
<input type="checkbox"/> ROS-IL	Globetrotter roof sign illuminated	<input type="checkbox"/> AUXSW-4	Wiring for 4 extra switches (from Body builder electrical centre to switch positions)
<input type="checkbox"/> ROS-IL2	Preparation kit for illuminated roof sign with switch loose in cab, fit after registration		
<input type="checkbox"/> ROS-ILP	Roof sign illumination preparation kit		
<input type="checkbox"/> CSGN-GTR	"Globetrotter" headboard logo		
<input checked="" type="checkbox"/> HORN-F1S	Horn - Air single tone - chassis mounted		
<input type="checkbox"/> HORN-R2S	Horn - Air - Two roof-mounted		
<input type="checkbox"/> ANT-CBR	Roof mounted antenna for CB radio, single aerial. Only Globetrotter cabs brings in extra DIN slots.		
<input type="checkbox"/> ACCBR-AP	Front, middle & rear roof mounted accessory brackets		
<input type="checkbox"/> ACCBR-F	Front roof mounted accessory bracket		
<input type="checkbox"/> ACCBR-FM	Front & middle roof mounted accessory brackets		
<input type="checkbox"/> ACCBR-FR	Front & rear roof mounted accessory brackets		
<input type="checkbox"/> ACCBR-M	Middle roof mounted accessory bracket		
<input type="checkbox"/> ACCBR-R	Rear roof mounted accessory bracket		
<input type="checkbox"/> ACCBR-RM	Rear & middle roof mounted accessory brackets		
<input type="checkbox"/> REFS-TW	White cab conspicuity markings by packed in cab		
<input type="checkbox"/> REFS-TY	Yellow cab conspicuity markings by packed in cab		

SUPERSTRUCTURE PREPARATIONS

<input type="checkbox"/> SRWL-2RW	Chassis-mounted working lamps - Two white rear-mounted LED lamps and 3 position switch
<input type="checkbox"/> SRWL-PK	Chassis-mounted working lamps - Side work and reverse lamp preparation and 3 position switch - Max load 280W
<input type="checkbox"/> SWL-2FW	Chassis-mounted working lamps - Two white front-mounted LED lamps
<input type="checkbox"/> SWL-2RW	Chassis-mounted working lamps - Two white rear-mounted LED lamps
<input type="checkbox"/> SWL-4W	Chassis-mounted working lamps - Four white front and rear-mounted LED lamps
<input type="checkbox"/> SWL-PK	Chassis-mounted working lamps - Side work lamp preparation and 2 position switch - Max load 280W
<input type="checkbox"/> WLC-H2A	Two H3/70W working lamps with amber coloured lens high mounted back of cab
<input type="checkbox"/> WLC-H2W	Two H3/70W white working lamps high mounted on the back of cab
<input type="checkbox"/> WLC-PKCH	Working lamp back of cab - Preparation kit - cables and switch
<input type="checkbox"/> WLC-PKH	Preparation kit, cables and switch for high mounted working lamps back of cab
<input type="checkbox"/> WLC-PKL	Preparation kit, cables and switch for low mounted working lamps back of cab

Standard Equipment

Optional Equipment

For more detailed information about cab and powertrain equipment, please refer to separate specification sheets.

For all possible options and combinations of options please consult your Volvo sales contact who can create a specification to match your requirements using the Volvo Sales Support system (VSS).

The factory reserves the right to modify design and change equipment without previous notification. The specification can vary from country to country.

MODEL RANGE

NEW FM Battery Electric 4x2 Rigid - Full Air Suspension FM 42R E

Volvo Trucks. Driving Progress