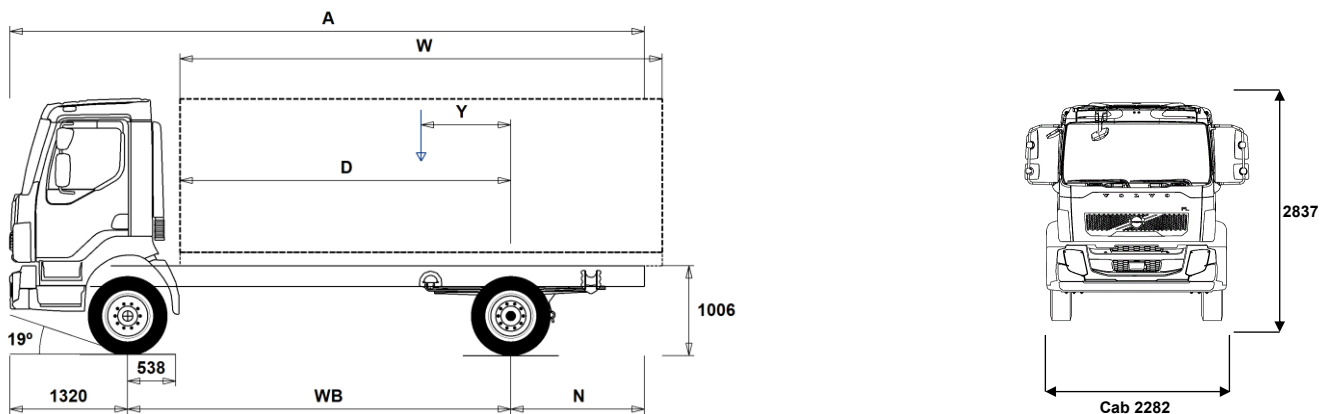


MODEL RANGE

FL 42 R 8l Gvw16 Road Sweeper Leaf FL 42 RS816L



Chassis Dimensions [mm]

WB Wheelbase	3350	3600
A Overall Chassis Length	5700	5950
D Center of rear axle to front of body	2762	3012
N Rear Overhang	1030	1030
Y Center of Gravity for Payload (Min.)	483	518
Y Center of Gravity for Payload (Max.)	692	742
W Body Length (Min.)	4141	4540
W Body Length (Max.)	4558	4989

Chassis Weights [kg]

Front Axle	3475	3485
Rear Axle	1270	1285
Kerb Weight	4745	4770
Payload (including body, driver, fuel, etc.)	11255	11230

Turning Diameter [mm]

Turning Circle Diameter Kerb to Kerb	11900	12700
Turning Circle Diameter Wall to Wall	13200	14000

Plated Weights [kg]

Gross Vehicle Weight	16000
Gross Combination Weight	16500
Front Axle	5800
Rear Axle	10900

Design

16000
16500
5800
10900

Important Notes

Chassis Dimensions

D-measure includes a front clearance of 50 mm and for rigid trucks also a subframe of 120 mm.

Height can vary ± 20 mm for leaf and ± 10 mm for air suspension. All dimensions are for unladen chassis and any tag axles down.

Weight and dimensions are based upon the following tyres:

Front Axle Tyres:	285/70R19.5
Drive Axle Tyres:	285/70R19.5

Chassis weight includes oil, water, AdBlue, 0 litres fuel and without driver. Kerb weight can vary $\pm 3\%$.

Turning diameters are theoretically calculated.

Legal weights can differ from country to country.

For more detailed weight information, including optional equipment weights, ask your Volvo sales contact to enter your specification into the Volvo Weight Information system (WIS).

Do NOT use this drawing for bodybuilding. Refer to Volvo Bodybuilder Instructions and chassis assembly drawing FL42RS816L.

MODEL RANGE

FL 42 R 8l Gvw16 Road Sweeper Leaf FL 42 RS816L

Core components

- **CHH-MED** Chassis height medium - approx. 900 mm above ground level
- **RAD-L80** Rear leaf suspension - one axle, driving (80 mm wide leaves)
- **FL-DAY2** FL Day cab
- **EU6SCR** Euro 6 with SCR, particulate filter and EGR, Turbo-S
- **D8K250** Diesel engine, Euro 6, 7.7 litres, 250 hp/184 kW, 950 Nm
- **ZTO1006** Manual 6-speed gearbox, 1050 Nm
- **EBR-CEB** Engine compression and exhaust brake
- **EBR-EPG** Engine brake with exhaust pressure governor
- **RSS1125A** Rear single reduction solo axle - axle load 11 tonnes, GCW 25 tonnes

Packages

- **AUDIODAB** Audio system with DAB radio and DAB amplifier
- **AUDIOPD** Preparation kit for DAB radio, including DAB amplifier

Chassis

- **FST-PAR** Two-leaf front parabolic springs (normal stiffness)
- **FAL5.8** Front axle load 5.8 tonnes
- **RAL10.9** Rear axle load 10.9 tonnes
- **RSTAB1** Rear anti-roll bar, normal stiffness
- **EBS-MED** EBS (Electronic Braking System), Medium package
- **RST-PAR4** Short four-leaf parabolic rear springs with normal stiffness
- **FST7070** Frame thickness - web 7.0 mm / flange 7.0 mm
- **2BATT170** Batteries, 2x170 Ah
- **UR-FUEL** Without right side fuel tank
- **UL-FUEL** Without left side fuel tank
- **ADTP-R** AdBlue tank on right hand side
- **WHC-FIX1** One non-collapsible wheel chock
- **TOWF-NO1** One front towing device
- **TOWF-NO2** Two front towing devices
- **RUP-FIX2**
- **RFEND-T** Transport mudguard

Rims and tyres

- **RT-AL** Brushed aluminium rims with standard holes (long stud fixing) on all axles
- **RT-ALDP** Dura-Bright® polished aluminium rims with standard holes (long stud fixing) on all axles
- **RT-STEEL** Steel rims on all axles
- **SPWT-F** Spare front wheel
- **SWCP-T** Spare wheel transport-mounted on top of frame
- **SWCP-TP** Spare wheel and carrier transport-mounted on top of frame
- **JACK-8T** Hydraulic jack, 8 tonnes. Low manual pumping force facilitates use in uncomfortable positions. Has a release valve, which permits safe, easy and precise control over rate of lowering and a filter in the oil reservoir gives protection from contamination. Colour RAL 9004. Height 227-469 mm, weight 7.3 kg
- **GAUGE-TP** Tyre pressure gauge

Powertrain equipment

- **CS39A-O** Single-plate clutch, plate diameter 395 mm
- **1COMP500** Single-cylinder air compressor 360 cc, 500 l/min
- **2COM1080** Dual-cylinder air compressor 704 cc, 1080 l/min
- **ACL1ST** Air cleaner with one filter element
- **24AL110B** Alternator 110 Ampere

■ Standard Equipment □ Optional Equipment

For more detailed information about cab and powertrain equipment, please refer to separate specification sheets.

For all possible options and combinations of options please consult your Volvo sales contact who can create a specification to match your requirements using the Volvo Sales Support system (VSS).

The factory reserves the right to modify design and change equipment without previous notification. The specification can vary from country to country.

- **CCV-C** Closed crankcase ventilation
- **CCV-OX** Open extended crankcase ventilation with oil separator and maintenance-free gas centrifuge
- **PTR-FH1** Rear gearbox PTO with flange connection DIN 90/ISO 7646 for propshaft 800 Nm
- **PTR-FH2** Rear gearbox PTO with flange connection DIN 90/ISO 7646 for propshaft, 430 Nm
- **PTR-FH5** Rear gearbox PTO with flange connection DIN 90/ISO 7646 for propshaft, 450 Nm
- **PTR-PH1** Rear gearbox PTO Hydrocar S81, connection DIN 5462/ISO 7653 for pump, 800 Nm
- **PTR-PH2** Rear gearbox PTO Hydrocar S84, connection DIN 5462/ISO 765 for pump, 430 Nm
- **PTR-PH4** Rear gearbox PTO Hydrocar S88, connection DIN 5462/ISO 7653 for pump, 450 Nm
- **PTR-ZF2** Rear gearbox PTO ZF, flange connection DIN 100/ISO 7646 for propshaft, 410 Nm
- **PTR-ZF3** Rear gearbox PTO ZF, connection DIN 5462/ISO 7653 for pump, 410 Nm
- **PTR-ZF4** Rear gearbox PTO ZF, flange connection DIN 100/ISO 7646 for propshaft, 320 Nm
- **PTR-ZF5** Rear gearbox PTO ZF, connection DIN 5462/ISO 7653 for pump, 320 Nm
- **PTR-ZF6** Rear gearbox PTO ZF, flange connection DIN 100/ISO 7646 for propshaft, 270 Nm

- **ETC** PTO speed control 900-1500 rpm with dash-mounted switch

Cab interior

- **TAS-DIG4** Gen 4 one-day digital tachograph, EC approved (GNSS & DSRC, EU 2020/1054)
- **TSRS2** Road sign recognition (not ISA compliant)

Cab exterior

- **SUNV-B** Exterior front sun visor, transparent dark-grey
- **BEACON-P** Preparation kit for roof beacons
- **BEACONA2** Two amber LED beacons on cab front roof

Superstructure preparations

- **FBA-BTSF** Front body attachment brackets, lower, for semi-flexible body

Services

- **TGW-4G**

MODEL RANGE

FL 42 R 8l Gvw16 Road Sweeper Leaf FL 42 RS816L

Volvo Trucks. Driving Progress