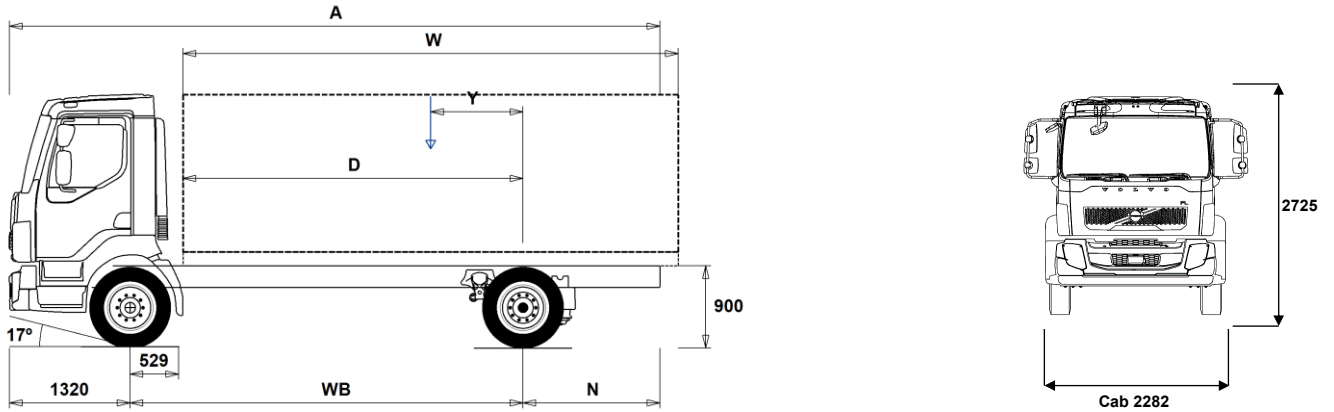


MODEL RANGE

FL 42 R ELECTRIC FL 42 R E 16



Chassis Dimensions [mm]

WB Wheelbase	3800	4100	4400	4700	5000	5300	5600	5900	6200	6500
A Overall Chassis Length	7825	8125	8425	8725	9025	9915	9625	9925	10225	10525
D Center of rear axle to front of body	3221	3521	3821	4121	4421	4721	5021	5321	5621	5921
N Rear Overhang (Min.)			2255			2895				
N Rear Overhang (Max.)	2705	2705	2705	2705	2705	3295	2705	2705	2705	2705
Y Center of Gravity for Payload (Min.)	394	405	415	421	431	448	443	451	476	462
Y Center of Gravity for Payload (Max.)	674	707	740	770	802	844	862	893	959	951
W Body Length (Min.)	5095	5628	6163	6702	7238	7755	8319	8856	9323	9821
W Body Length (Max.)	5501	5981	6461	6941	7421	7901	8381	8861	9341	9821

Chassis Weights [kg]

Front Axle	4115	4165	4205	4255	4290	4310	4360	4385	4410	4435
Rear Axle	2375	2340	2310	2310	2285	2320	2270	2260	2605	2245
Kerb Weight	6490	6505	6515	6565	6575	6630	6630	6645	7015	6680
Payload (including body, driver, fuel, etc.)	9510	9495	9485	9435	9425	9370	9370	9355	8985	9320

Turning Diameter [mm]

Turning Circle Diameter Kerb to Kerb	13300	14200	15100	16000	16900	17800	18700	19600	20500	21400
Turning Circle Diameter Wall to Wall	14600	15500	16400	17300	18200	19100	20000	20900	21800	22700

Plated Weights [kg]

	Design
Gross Vehicle Weight	16000
Gross Combination Weight	16000
Front Axle	5800
Rear Axle	10900

Important Notes

Chassis Dimensions

Front Axle to Back of Cab: +149 mm for CAB-SSLP.
 D-measure includes a front clearance of 50 mm and for rigid trucks also a subframe of 120 mm.
 Height can vary ± 20 mm for leaf and ± 10 mm for air suspension.
 All dimensions are for unladen chassis and any tag axles down. Chassis height used: CHH-MED.

Weight and dimensions are based upon the following tyres:
 Front Axle Tyres: 285/70R19.5
 Drive Axle Tyres: 285/70R19.5

Chassis weight includes oil, water, AdBlue, 0 litres fuel and without driver. Kerb weight can vary ± 3%.

Turning diameters are theoretically calculated.

Legal weights can differ from country to country.

For more detailed weight information, including optional equipment weights, ask your Volvo sales contact to enter your specification into the Volvo Weight Information system (WIS).

Do NOT use this drawing for bodybuilding. Refer to Volvo Bodybuilder Instructions and chassis assembly drawing FL42RE16.

MODEL RANGE

FL 42 R ELECTRIC FL 42 R E 16

Transport operation

- FRFS-BS** Frame rail free space on both sides to give space for crane legs or other equipment
- **UNIFORM** Basic platform vehicle

Core components

- **CHH-MED** Chassis height medium - approx. 900 mm above ground level
- **RAD-A2V** Rear air suspension - one axle, driving
- **FL-DAY2** FL Day cab
- FL-SSLP2** FL Comfort cab
- **EMIZERO**
- RSS1125A** Rear single reduction solo axle - axle load 11 tonnes, GCW 25 tonnes
- **RSS1132A** Rear single reduction solo axle - axle load 11 tonnes, GCW 32.5 tonnes

Packages

- AUDIODAB** Audio system with DAB radio and DAB amplifier
- AUDIOPD** Preparation kit for DAB radio, including DAB amplifier

Chassis

- **FST-AIR** Front air suspension
- **FAL5.8** Front axle load 5.8 tonnes
- **RAL10.9** Rear axle load 10.9 tonnes
- **EBS-MED** EBS (Electronic Braking System), Medium package
- **RST-AIR** Rear air springs
- **SUSPL-E2** Remote control with wander lead for air suspension levelling, 2 sensors on rear axle
- **FST8080** Frame thickness - web 8.0 mm / flange 8.0 mm
- **2BATT170** Batteries, 2x170 Ah
- **TOWF-NO1** One front towing device
- TOWF-NO2** Two front towing devices
- TREL15** 15-pin trailer connection (ADR certified)
- RUP-FIX2**

Rims and tyres

- **RT-AL** Brushed aluminium rims with standard holes (long stud fixing) on all axles
- RT-ALDP** Dura-Bright® polished aluminium rims with standard holes (long stud fixing) on all axles
- RT-STEEL** Steel rims on all axles
- GAUGE-TP** Tyre pressure gauge

Cab interior

- **TAS-DIG4** Gen 4 one-day digital tachograph, EC approved (GNSS & DSRC, EU 2020/1054)
- TSRS2** Road sign recognition (not ISA compliant)

Cab exterior

- SUNV-B** Exterior front sun visor, transparent dark-grey
- **SUNV-PK** Preparation kit for exterior front sun visor (cab roof reinforcement)
- AD-SIDES** Cab side air deflectors, short
- BEACON-P** Preparation kit for roof beacons
- BEACONA2** Two amber LED beacons on cab front roof

Superstructure preparations

- FBA-BTF** Front body attachment brackets, lower, for flexible body
- **FBA-BTFS** Front body attachment brackets, lower, for semi-flexible body
- **RBA-T2** Rear body attachment brackets, lower
- TAILPREP** Tail lift preparation kit

■ Standard Equipment Optional Equipment

For more detailed information about cab and powertrain equipment, please refer to separate specification sheets.

For all possible options and combinations of options please consult your Volvo sales contact who can create a specification to match your requirements using the Volvo Sales Support system (VSS).

The factory reserves the right to modify design and change equipment without previous notification. The specification can vary from country to country.

Services

- TGW-4G**
- DRUT3** My Truck service/app (remote vehicle status, alerts and control), 3-year prepaid subscription

MODEL RANGE

FL 42 R ELECTRIC FL 42 R E 16

Volvo Trucks. Driving Progress