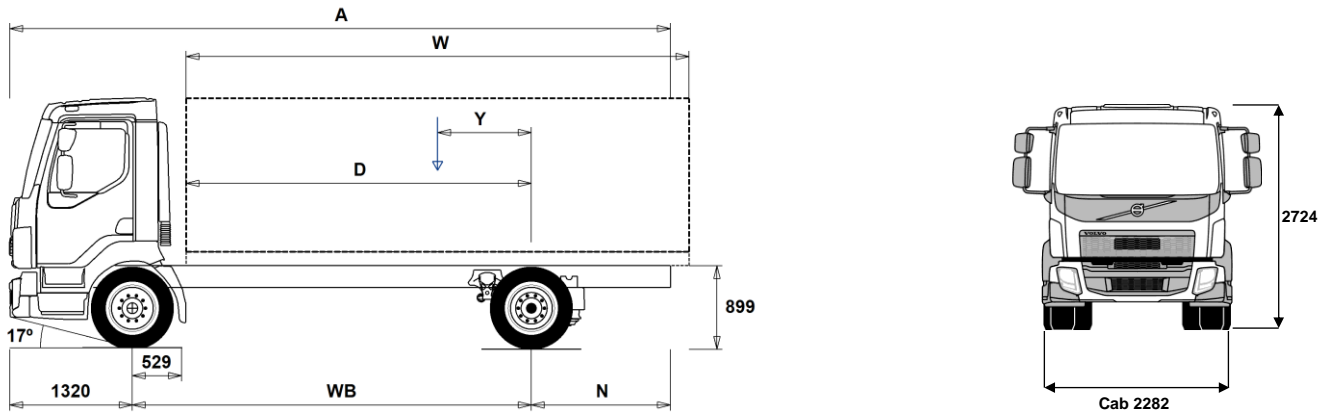


# MODEL RANGE

FL 42 R ELECTRIC FL 42 R E 16



## Chassis Dimensions [mm]

WB Wheelbase	3800	4100	4400	4700	5000	5300	5600	5900	6200	6500
A Overall Chassis Length	7825	8125	8425	8725	9025	9915	9625	9925	10225	10525
D Center of rear axle to front of body	3221	3521	3821	4121	4421	4721	5021	5321	5621	5921
N Rear Overhang (Min.)			2255			2895				
N Rear Overhang (Max.)	2705	2705	2705	2705	2705	3295	2705	2705	2705	2705
Y Center of Gravity for Payload (Min.)	360	361	363	359	360	368	353	352	364	345
Y Center of Gravity for Payload (Max.)	648	673	697	719	743	776	785	807	863	848
W Body Length (Min.)	5146	5696	6247	6804	7357	7890	8381	8861	9341	9821
W Body Length (Max.)	5501	5981	6461	6941	7421	7901	8381	8861	9341	9821

## Chassis Weights [kg]

Front Axle	4225	4290	4340	4400	4440	4470	4525	4560	4590	4620
Rear Axle	2545	2500	2460	2445	2415	2440	2385	2370	2710	2345
Kerb Weight	6770	6790	6800	6845	6855	6910	6910	6930	7300	6965
Payload (including body, driver, fuel, etc.)	9230	9210	9200	9155	9145	9090	9090	9070	8700	9035

## Turning Diameter [mm]

Turning Circle Diameter Kerb to Kerb	13300	14200	15100	16000	16900	17800	18700	19600	20500	21400
Turning Circle Diameter Wall to Wall	14600	15500	16400	17300	18200	19100	20000	20900	21800	22700

## Plated Weights [kg]

	Design
Gross Vehicle Weight	16000
Gross Combination Weight	16000
Front Axle	5800
Rear Axle	10900

## Important Notes

### Chassis Dimensions

Front Axle to Back of Cab: +149 mm for CAB-SSLP.  
 D-measure includes a front clearance of 50 mm and for rigid trucks also a subframe of 120 mm.  
 Height can vary ± 20 mm for leaf and ± 10 mm for air suspension.  
 All dimensions are for unladen chassis and any tag axles down.

Weight and dimensions are based upon the following tyres:  
 Front Axle Tyres: 285/70R19.5  
 Drive Axle Tyres: 285/70R19.5

Chassis weight includes oil, water, AdBlue, 0 litres fuel and without driver. Kerb weight can vary ± 3%.

Turning diameters are theoretically calculated.

Legal weights can differ from country to country.

For more detailed weight information, including optional equipment weights, ask your Volvo sales contact to enter your specification into the Volvo Weight Information system (WIS).

Do NOT use this drawing for bodybuilding. Refer to Volvo Bodybuilder Instructions and chassis assembly drawing FL42RE16.

# MODEL RANGE

FL 42 R ELECTRIC FL 42 R E 16

## Transport operation

- **UNIFORM** Basic platform vehicle

## Core components

- **CHH-MED** Chassis height medium - approx. 900 mm above ground level
- **RAD-A2V** Rear air suspension, 1 axle - 1 driven
- **CAB-DAY** Day cab
- **CAB-SSLP** Comfort cab
- **EMIZERO** EMISSION LEVEL ZERO
- **RSS1132A** Rear single reduction solo axle - axle load 11 tonnes, GCW 32.5 tonnes

## Packages

- **DRIVEFL** Driver convenience package FL
- **VISIFL** Visibility package FL - Optimizing the drivers field of vision around the cab
- **AIRFLOW** Airflow package FL - Includes adjustable roof spoiler, side deflector and sun visor
- **AUDIODAB** Audio System DAB
- **AUDIOPD** Audio Preparation DAB kit, incl. DAB-amplifier

## Chassis

- **FST-AIR** Front air suspension
- **FAL5.8** Front axle load 5.8 tonnes
- **RAL10.9** Rear axle load 10.9 tonnes
- **EBS-MED** EBS (Electronic Brake System) medium package
- **RST-AIR** Rear air suspension
- **SUSPL-E2** Remote control on wander-lead for air suspension levelling with 2 sensors on rear axle
- **FST8080** Frame section thickness - web 8.0 mm / flange 8.0 mm
- **2BATT170** Batteries 2x170 Ah
- **TOWF-NO1** One front towing device
- **TOWF-NO2** Two front towing devices
- **TREL15** 15 pol electrical trailer connector (ADR certified)
- **RUP-FIX2** Fixed rear underrun protection, EC approved
- **2024GSR** General safety regulations 2024

## Rims and tyres

- **RT-AL** Brushed aluminium rims with std holes (long stud fixing) on all axles
- **RT-ALDP** Dura-Bright polished aluminium rims with std holes (long stud fixing) on all axles
- **RT-STEEL** Steel rims on all axles
- **GAUGE-TP** Tyre pressure gauge

## Cab interior

- **TAS-DIG4** Gen 4 one day digital tachograph, EC approved (GNSS & DSRC, EU 2020/1054)

## Cab exterior

- **SUNV-B** Exterior transparent dark grey front sun visor
- **SUNV-PK** Exterior front sun visor installation preparation kit (fasteners)
- **AD-SIDES** Short cab side air deflectors
- **BEACON-P** Prepared for roof beacons
- **BEACONA2** 2 amber beacon, roof mounted warning lamps

## Superstructure preparations

- **FBA-BTF** Front body attachments for flexible body
- **FBA-BTSF** Front body attachments for semi-flexible body
- **RBA-T2** Rear body attachments for helper frame
- **TAILPREP** Tail lift preparation kit

- Standard Equipment
- Optional Equipment

For more detailed information about cab and powertrain equipment, please refer to separate specification sheets.

For all possible options and combinations of options please consult your Volvo sales contact who can create a specification to match your requirements using the Volvo Sales Support system (VSS).

The factory reserves the right to modify design and change equipment without previous notification. The specification can vary from country to country.

## Services

- **TGW-4G** Telematics gateway with 4G modem
- **DRUT1** My Truck connects the vehicle to the smartphone app, 1 year prepaid subscription
- **DRUT2** My Truck connects the vehicle to the smartphone app, 2 year prepaid subscription
- **DRUT3** My Truck connects the vehicle to the smartphone app, 3 year prepaid subscription
- **DRUT4** My Truck connects the vehicle to the smartphone app, 4 year prepaid subscription
- **DRUT5** My Truck connects the vehicle to the smartphone app, 5 year prepaid subscription
- **WVTA** Whole Vehicle Type Approved

# MODEL RANGE

FL 42 R ELECTRIC FL 42 R E 16

---

Volvo Trucks. Driving Progress