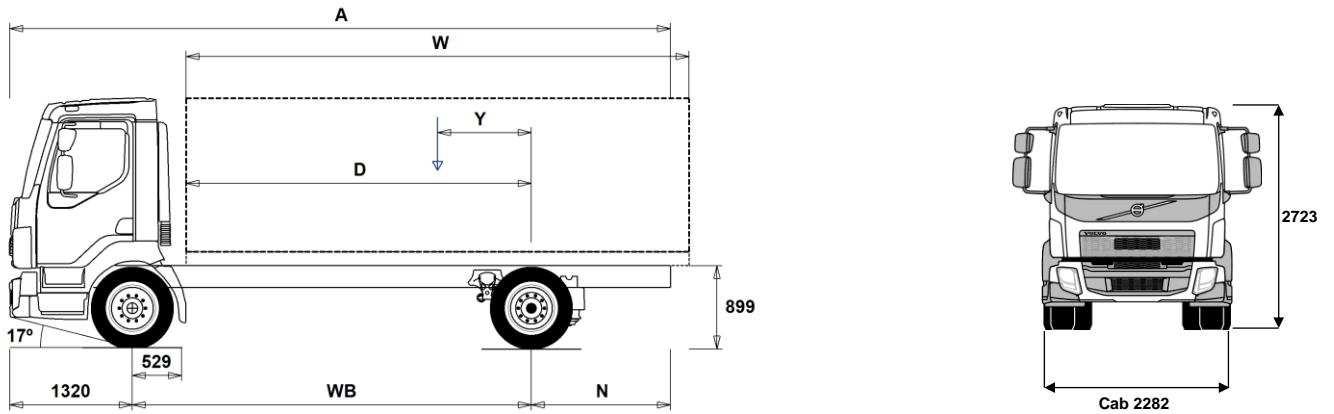


# MODEL RANGE

FL 42 R ELECTRIC FL 42 R E 16



## Chassis Dimensions [mm]

WB Wheelbase	3800	4100	4400	4700	5000	5300	5600	5900	6200	6500
A Overall Chassis Length	7825	8125	8425	8725	9025	9915	9625	9925	10225	10525
D Center of rear axle to front of body	3221	3521	3821	4121	4421	4721	5021	5321	5621	5921
N Rear Overhang (Min.)			2255			2895				
N Rear Overhang (Max.)	2705	2705	2705	2705	2705	3295	2705	2705	2705	2705
Y Center of Gravity for Payload (Min.)	259	244	229	208	192	182	150	131	116	88
Y Center of Gravity for Payload (Max.)	563	573	582	588	596	613	605	612	645	620
W Body Length (Min.)	5315	5896	6461	6941	7421	7901	8381	8861	9341	9821
W Body Length (Max.)	5501	5981	6461	6941	7421	7901	8381	8861	9341	9821

## Chassis Weights [kg]

Front Axle	4505	4580	4645	4715	4770	4805	4870	4910	4945	4985
Rear Axle	2755	2695	2640	2615	2575	2590	2530	2500	2840	2465
Kerb Weight	7260	7275	7285	7330	7345	7395	7400	7410	7785	7450
Payload (including body, driver, fuel, etc.)	8740	8725	8715	8670	8655	8605	8600	8590	8215	8550

## Turning Diameter [mm]

Turning Circle Diameter Kerb to Kerb	13300	14200	15100	16000	16900	17800	18700	19600	20500	21400
Turning Circle Diameter Wall to Wall	14600	15500	16400	17300	18200	19100	20000	20900	21800	22700

## Plated Weights [kg]

	Design
Gross Vehicle Weight	16000
Gross Combination Weight	16000
Front Axle	5800
Rear Axle	10900

## Important Notes

### Chassis Dimensions

Front Axle to Back of Cab: +149 mm for CAB-SSLP.  
 D-measure includes a front clearance of 50 mm and for rigid trucks also a subframe of 120 mm.  
 Height can vary ± 20 mm for leaf and ± 10 mm for air suspension.  
 All dimensions are for unladen chassis and any tag axles down.

Weight and dimensions are based upon the following tyres:  
 Front Axle Tyres: 285/70R19.5  
 Drive Axle Tyres: 285/70R19.5

Chassis weight includes oil, water, AdBlue, 0 litres fuel and without driver. Kerb weight can vary ± 3%.

Turning diameters are theoretically calculated.

Legal weights can differ from country to country.

For more detailed weight information, including optional equipment weights, ask your Volvo sales contact to enter your specification into the Volvo Weight Information system (WIS).

Do NOT use this drawing for bodybuilding. Refer to Volvo Bodybuilder Instructions and chassis assembly drawing FL42RE16.

# MODEL RANGE

FL 42 R ELECTRIC FL 42 R E 16

## Transport operation

- **UNIFORM** Basic platform vehicle

## Core components

- **CHH-MED** Chassis height medium - approx. 900 mm above ground level
- **RAD-A2V** Rear air suspension, 1 axle - 1 driven
- **CAB-DAY** Day cab
- **CAB-SSLP** Comfort cab
- **EMIZERO** EMISSION LEVEL ZERO
- **RSS1132A** Rear single reduction solo axle - axle load 11 tonnes, GCW 32.5 tonnes

## Packages

- **DRIVEFL** Driver convenience package FL
- **VISIFL** Visibility package FL - Optimizing the drivers field of vision around the cab
- **AIRFLOW** Airflow package FL - Includes adjustable roof spoiler, side deflector and sun visor
- **AUDIODAB** Audio System DAB
- **AUDIOPD** Audio Preparation DAB kit, incl. DAB-amplifier

## Chassis

- **FST-AIR** Front air suspension
- **FAL5.8** Front axle design capacity 5.8 tonnes
- **RAL10.9** Rear axle design capacity 10.9 tonnes
- **EBS-MED** EBS (Electronic Brake System) medium package incl. traction control system (TCS) and hill start aid
- **RST-AIR** Rear air suspension
- **SUSPL-E2** Remote control on wander-lead for air suspension levelling with 2 sensors on rear axle
- **FST8080** Frame section thickness - web 8.0 mm / flange 8.0 mm
- **2BATT170** Batteries 2x170 Ah
- **TOWF-NO1** One front towing device
- **TOWF-NO2** Two front towing devices
- **RUP-FIX2** Fixed rear underrun protection, EC approved
- **2024GSR** General safety regulations 2024

## Rims and tyres

- **RT-AL** Brushed aluminium rims on all axles
- **RT-ALDP** Dura-Bright aluminium rims on all axles
- **RT-STEEL** Steel rims on all axles
- **GAUGE-TP** The practical tyre pressure gauge measures the air pressure in a tyre. It is delivered and stored in a protective plastic box

## Cab interior

- **TAS-DIG4** Gen 4 one day digital tachograph, EC approved

## Cab exterior

- **SUNV-B** Exterior transparent dark grey front sun visor
- **SUNV-PK** Exterior front sun visor installation preparation kit (fasteners)
- **AD-SIDES** Short cab side air deflectors
- **BEACON-P** Roof beacon lights wire preparation (two cable pass throughs)
- **BEACONA2** 2 amber beacon, roof mounted warning lamps

## Superstructure preparations

- **FBA-BTF** Front body attachments for flexible body
- **FBA-BTSF** Front body attachments for semi-flexible body
- **RBA-T2** Rear body attachments, divided
- **TAILPREP** Tail lift preparation kit

■ Standard Equipment

□ Optional Equipment

For more detailed information about cab and powertrain equipment, please refer to separate specification sheets.

For all possible options and combinations of options please consult your Volvo sales contact who can create a specification to match your requirements using the Volvo Sales Support system (VSS).

The factory reserves the right to modify design and change equipment without previous notification. The specification can vary from country to country.

## Services

- **TGW-4G** Telematics gateway with 4G modem
- **DRUT1** My Truck connects the vehicle to the smartphone app, 1 year prepaid subscription
- **DRUT2** My Truck connects the vehicle to the smartphone app, 2 year prepaid subscription
- **DRUT3** My Truck connects the vehicle to the smartphone app, 3 year prepaid subscription
- **DRUT4** My Truck connects the vehicle to the smartphone app, 4 year prepaid subscription
- **DRUT5** My Truck connects the vehicle to the smartphone app, 5 year prepaid subscription
- **WVTA** Whole Vehicle Type Approved

# MODEL RANGE

FL 42 R ELECTRIC FL 42 R E 16

---

Volvo Trucks. Driving Progress