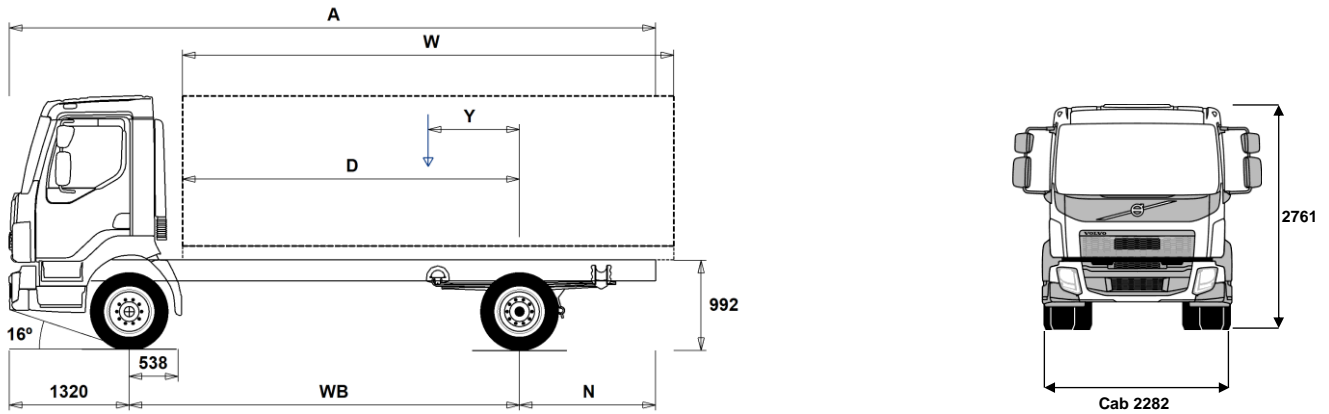


MODEL RANGE

FL 42R GVW16 8L leaf FL 42 R 816L



Chassis Dimensions [mm]

WB Wheelbase	3250	3500	3800	4100	4400	4700	5000	5300	5600	5900	6200	6500
A Overall Chassis Length	6545	6975	7425	7955	8425	8915	9435	9915	10425	10835	11430	11730
D Center of rear axle to front of body	2662	2912	3212	3512	3812	4112	4412	4712	5012	5312	5612	5912
N Rear Overhang (Min.)	1515	1685	1615	1515	1615	1615	1615	1615	1615	1615	1615	1615
N Rear Overhang (Max.)	1975	2155	2305	2535	2705	2895	3115	3295	3505	3615	3910	3910
Y Center of Gravity for Payload (Min.)	550	594	645	699	751	802	855	905	958	1007	1060	1105
Y Center of Gravity for Payload (Max.)	748	807	877	950	1021	1092	1164	1234	1305	1374	1447	1512
W Body Length (Min.)	3829	4210	4669	5124	5581	6041	6497	6957	7414	7876	8330	8800
W Body Length (Max.)	4224	4637	5134	5627	6121	6619	7114	7613	8109	8610	9103	9614

Chassis Weights [kg]

Front Axle	3150	3150	3160	3155	3155	3160	3160	3170	3170	3180	3180	3200
Rear Axle	1335	1365	1400	1425	1445	1470	1495	1530	1550	1570	1595	1615
Kerb Weight	4485	4515	4560	4580	4600	4630	4655	4700	4720	4750	4775	4815
Payload (including body, driver, fuel, etc.)	11515	11485	11440	11420	11400	11370	11345	11300	11280	11250	11225	11185

Turning Diameter [mm]

Turning Circle Diameter Kerb to Kerb	11600	12400	13300	14200	15100	16000	16900	17800	18700	19600	20500	21400
Turning Circle Diameter Wall to Wall	12900	13700	14600	15500	16400	17300	18200	19100	20000	20900	21800	22700

Plated Weights [kg]

	Design
Gross Vehicle Weight	16000
Gross Combination Weight	21000
Front Axle	5800
Rear Axle	10900

Important Notes

Chassis Dimensions

Cab Height: +39 mm for CAB-CRW.
 Front Axle to Back of Cab: +1302 mm for CAB-CRW, +294 mm for CAB-SSLP.
 D-measure includes a front clearance of 50 mm and for rigid trucks also a subframe of 120 mm.
 Height can vary ± 20 mm for leaf and ± 10 mm for air suspension.
 All dimensions are for unladen chassis and any tag axles down. Chassis height used: CHH-MED.

Weight and dimensions are based upon the following tyres:
 Front Axle Tyres: 265/70R19.5
 Drive Axle Tyres: 265/70R19.5

Chassis weight includes oil, water, AdBlue, 0 litres fuel and without driver. Kerb weight can vary ± 3%.

Turning diameters are theoretically calculated.

Legal weights can differ from country to country.

For more detailed weight information, including optional equipment weights, ask your Volvo sales contact to enter your specification into the Volvo Weight Information system (WIS).

Do NOT use this drawing for bodybuilding. Refer to Volvo Bodybuilder Instructions and chassis assembly drawing FL42R816L.

MODEL RANGE

FL 42R GVW16 8L leaf FL 42 R 816L

Transport operation

- GARB-PRE** Garbage vehicle preparation
- UNIFORM** Basic platform vehicle

Core components

- CHH-HIGH** Chassis height high - approx. 1000 mm above ground level
- CHH-MED** Chassis height medium - approx. 900 mm above ground level
- RAD-L80** Rear leaf suspension, 1 axle - 1 driven (80 mm wide leafs)
- CAB-CRW** Crew cab
- CAB-DAY** Day cab
- CAB-SSLP** Comfort cab
- EU6SCR** Euro 6 emission level with Selective Catalytic Reduction (SCR), particulate filter and Exhaust Gas Recirculation (EGR)
- D8K250** Six cylinder diesel engine, 7.7 litre Euro 6 SCR + EGR (Diesel Particulate Filter), 250 hp, 950 Nm
- D8K280** Six cylinder diesel engine, 7.7 litre Euro 6 SCR + EGR (Diesel Particulate Filter), 280 hp, 1050 Nm
- AL306** Automatic 6-speed Allison gearbox. Max input torque up to 1695 Nm.
- ATO1056** I-Sync, Automated manual 6 speed gearbox, 1070 Nm
- ZTO1006** Overdrive 6 speed manual ZF gearbox, 1050 Nm
- EBR-CEB** Engine compression and exhaust brake
- EBR-EPG** Engine brake with Exhaust Press Governor, EPG
- RSS1125A** Rear single reduction solo axle - axle load 11 tonnes, GCW 25 tonnes
- RSS1132A** Rear single reduction solo axle - axle load 11 tonnes, GCW 32.5 tonnes

Packages

- DRIVEFL** Driver convenience package FL
- VISIFL** Visibility package FL - Optimizing the drivers field of vision around the cab
- AIRFLOW** Airflow package FL - Includes adjustable roof spoiler, side deflector and sun visor
- AUDIODAB** Audio System DAB
- AUDIOPD** Audio Preparation DAB kit, incl. DAB-amplifier

Chassis

- FST-PAR** Front parabolic leaf suspension (normal stiffness)
- FST-PAR3** Two leaf front parabolic suspension (stiffer than normal), reinforced
- FAL5.8** Front axle design capacity 5.8 tonnes
- FAL6.3** Front axle design capacity 6.3 tonnes
- RAL10.9** Rear axle design capacity 10.9 tonnes
- RSTAB1** Rear stabilizer with normal stiffness
- EBS-MED** EBS (Electronic Brake System) medium package incl. traction control system (TCS) and hill start aid
- EBS-STD** EBS (Electronic Brake System) standard package (without traction control)
- RST-PAR1** Three leaf parabolic rear suspension with normal stiffness
- RST-PAR3** Three leaf parabolic rear suspension, stiffer than normal
- RST-PAR4** Short four leaf parabolic rear suspension with normal stiffness
- FST7070** Frame section thickness - web 7.0 mm / flange 7.0 mm
- FST8080** Frame section thickness - web 8.0 mm / flange 8.0 mm
- 2BATT170** Batteries 2x170 Ah
- ADR2** ADR adaptation, transportation of dangerous goods, 2 switches
- R80P** Right 80 litre plastic diesel tank
Min volume 80l
Max volume 430l
- UL-FUEL** Without left diesel tank
Min volume 80l
Max volume 215l

Standard Equipment Optional Equipment

For more detailed information about cab and powertrain equipment, please refer to separate specification sheets.

For all possible options and combinations of options please consult your Volvo sales contact who can create a specification to match your requirements using the Volvo Sales Support system (VSS).

The factory reserves the right to modify design and change equipment without previous notification. The specification can vary from country to country.

- ADTP-L** AdBlue tank mounted on left hand side
- ADTP-R** AdBlue tank mounted on right hand side
- WHC-FIX1** One fixed wheel chock
- WHC-FIX2** Two fixed wheel chocks
- TOWMBRH** High mounted towing member, in centre of frame
- C-RO40AG** Towing coupling Rockinger 400 G-145
- TOWF-NO1** One front towing device
- TOWF-NO2** Two front towing devices
- TOWR-ONE** One rear towing device in frame end cross member
- TREL15** 15 pol electrical trailer connector (ADR certified)
- TBC-EC** Trailer brake connection, European Community
- RUP-FIX2** Fixed rear underrun protection, EC approved
- RFEND-T** Transport mounted one-piece rear fenders, only for Jockey transport
- 2024GSR** General safety regulations 2024

Rims and tyres

- RT-AL** Brushed aluminium rims on all axles
- RT-ALDP** Dura-Bright aluminium rims on all axles
- RT-STEEL** Steel rims on all axles
- SPWT-F** Spare wheel with tyre equal to front wheel
- SWCP-LF** Spare wheel carrier on left side in front of rear axle
- SWCP-R** Spare wheel carrier mounted behind rear axle and below frame
- SWCP-T** Temporary spare wheel carrier.
Spare wheel is transport mounted (strapped on top of the frame rails) with plastic stips.
- SWCP-TP** Spare wheel carrier transport mounted with the spare wheel on top of the frame rails
- JACK-10T** Jack, 10 tonnes
- JACK-8T** Jack, 8 tonnes
- GAUGE-TP** The practical tyre pressure gauge measures the air pressure in a tyre. It is delivered and stored in a protective plastic box

Powertrain equipment

- CS39A-O** Single plate clutch, plate diameter 395 mm
- RET-TPT** Retarder for hydraulic gearbox
- TC-HWO** Oil cooler for hydraulic transmissions – water/oil
- 1COMP500** Single cylinder air compressor 360 cc / 500 l/min
- 2COM1080** Dual cylinder air compressor 720 cc / 1080 l/min
- AIRIN-HI** High air intake, mounted behind cab on left hand side
- AIRIN-RL** Low air intake, chassis mounted behind cab on left hand side
- ACL1ST** Air cleaner with one filter element
- ACL1ST-S** Air cleaner with additional filter element
- 24AL110B** Alternator 110 Ampere
- 24AL130B** Alternator 130 Ampere
- CCV-C** Closed crankcase ventilation
- CCV-OX** Open crankcase ventilation with oil separator and a maintenance free gas centrifuge
- EST-AID** Engine start pre-heating element
- PTER-100** Rear engine mounted clutch independent power-take-off with flange connection (DIN 100 / ISO 7646)
- PTER-DIN** Rear engine mounted clutch independent PTO with splined shaft groove (female) for a close coupled pump (DIN 5462 / ISO 7653)
- PTER1400** Rear engine mounted clutch independent power-take-off with flange connection (SAE 1410 / ISO 7647)
- PR-HF4S** PTO transmission, Hydrocar, flange connection, side mounted
- PR-HF4SH** PTO transmission, Hydrocar, flange connection, side mounted, high speed
- PR-HF6S** PTO transmission, Hydrocar, flange connection, side mounted

MODEL RANGE

FL 42R GVW16 8L leaf FL 42 R 816L

- PR-HP4S** PTO transmission, Hydrocar, pump connection, side mounted
- PR-HP4SH** PTO transmission, Hydrocar, pump connection, side mounted, high speed
- PR-HP6S** PTO transmission, Hydrocar, pump connection, side mounted
- PTR-FH1** Rear gearbox mounted Hydrocar S81 PTO with flange connection (DIN 90 / ISO 7646) for propeller shaft (800 Nm)
- PTR-FH2** Rear gearbox mounted Hydrocar S84 PTO with flange connection (DIN 90 / ISO 7646) for propeller shaft (430 Nm)
- PTR-FH5** Rear gearbox mounted Hydrocar S88 PTO with flange connection (DIN 90 / ISO 7646) for propeller shaft (450 Nm)
- PTR-PH1** Rear gearbox mounted Hydrocar S81 PTO with connection (DIN 5462 / ISO 7653) for pump (800 Nm)
- PTR-PH2** Rear gearbox mounted Hydrocar S84 PTO with connection (DIN 5462 / ISO 7653) for pump (430 Nm)
- PTR-PH4** Rear gearbox mounted Hydrocar S88 PTO with connection (DIN 5462 / ISO 7653) for pump (450 Nm)
- PTR-PK** Electrical and solenoid prep kit for gearbox PTO
- PTR-ZF2** Rear gearbox mounted ZF PTO with flange connection (DIN 100 / ISO 7646) for prop shaft (410 Nm)
- PTR-ZF3** Rear gearbox mounted ZF PTO with connection (DIN 5462 / ISO 7653) for pump (410 Nm)
- PTR-ZF4** Rear gearbox mounted ZF PTO with flange connection (DIN 100 / ISO 7646) for prop shaft (320 Nm)
- PTR-ZF5** Rear gearbox mounted ZF PTO with connection (DIN 5462 / ISO 7653) for pump (320 Nm)
- PTR-ZF6** Rear gearbox mounted ZF PTO with flange connection (DIN 100 / ISO 7646) for prop shaft (270 Nm)
- HPG-F101** Hydraulic gearbox mounted pump F1-101, fixed displacement, single flow
- HPG-F41** Hydraulic gearbox mounted pump F1-41, fixed displacement, single flow
- HPG-F51** Hydraulic gearbox mounted pump F1-51, fixed displacement, single flow
- HPG-F61** Hydraulic gearbox mounted pump F1-61, fixed displacement, single flow
- HPG-F81** Hydraulic gearbox mounted pump F1-81, fixed displacement, single flow
- ETC** Electronic throttle control - dash mounted switch for PTO speed control

Cab interior

- TAS-DIG4** Gen 4 one day digital tachograph, EC approved
- SPDU-R** Dual speed limiter for rear refuse body steps

Cab exterior

- SUNV-B** Exterior transparent dark grey front sun visor
- SUNV-PK** Exterior front sun visor installation preparation kit (fasteners)
- AD-SIDES** Short cab side air deflectors
- BEACON-P** Roof beacon lights wire preparation (two cable pass throughs)
- BEACONA2** 2 amber beacon, roof mounted warning lamps

Superstructure preparations

- FBA-BTF** Front body attachments for flexible body
- FBA-BTSF** Front body attachments for semi-flexible body
- RBA-T2** Rear body attachments, divided
- TAILPREP** Tail lift preparation kit

Services

- TGW-4G** Telematics gateway with 4G modem
- WVTA** Whole Vehicle Type Approved

Volvo Trucks. Driving Progress