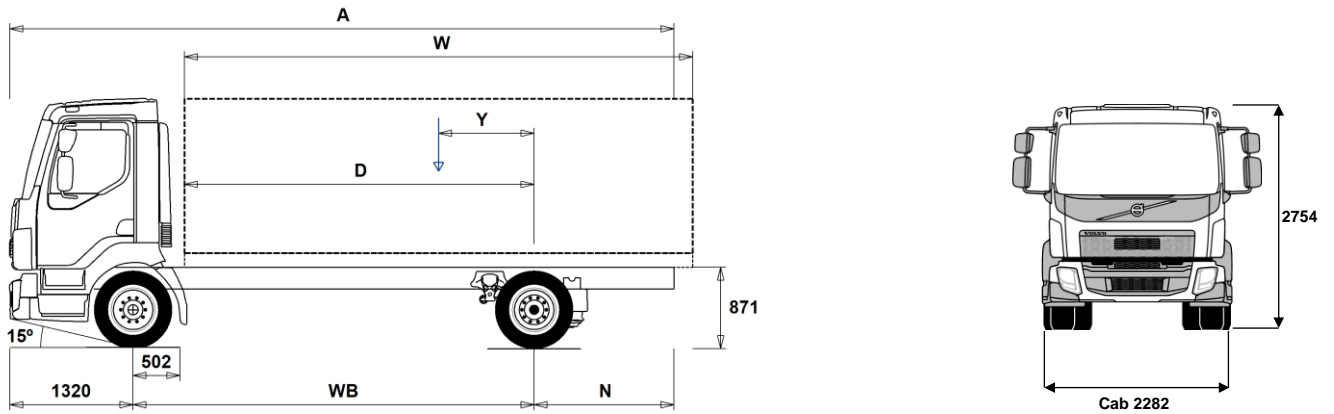


MODEL RANGE

FL 42R GVW16 5L air FL 42 R 516A



Chassis Dimensions [mm]

WB Wheelbase	3500	3800	4100	4400	4700	5000	5300	5600	5900	6200	6500
A Overall Chassis Length	6975	7425	7955	8425	8915	9435	9915	10425	10835	11430	11730
D Center of rear axle to front of body	2948	3248	3548	3848	4148	4448	4748	5048	5348	5648	5948
N Rear Overhang (Min.)	2055	1885	2445	2635	2835	2895	2895	3415	3295	3505	3755
N Rear Overhang (Max.)	2155	2305	2535	2705	2895	3115	3295	3505	3615	3910	3910
Y Center of Gravity for Payload (Min.)	641	696	753	809	864	918	974	1030	1081	1138	1189
Y Center of Gravity for Payload (Max.)	851	925	1000	1075	1149	1223	1297	1372	1443	1519	1590
W Body Length (Min.)	4194	4647	5096	5546	5998	6451	6903	7352	7811	8258	8717
W Body Length (Max.)	4615	5104	5591	6078	6568	7059	7549	8036	8534	9020	9517

Chassis Weights [kg]

Front Axle	2970	2975	2970	2970	2975	2985	2990	2990	3010	3010	3020
Rear Axle	1385	1410	1430	1450	1475	1505	1530	1545	1575	1600	1610
Kerb Weight	4355	4385	4400	4420	4450	4490	4520	4535	4585	4610	4630
Payload (including body, driver, fuel, etc.)	11645	11615	11600	11580	11550	11510	11480	11465	11415	11390	11370

Turning Diameter [mm]

Turning Circle Diameter Kerb to Kerb	12400	13300	14200	15100	16000	16900	17700	18600	19500	20400	21300
Turning Circle Diameter Wall to Wall	13700	14600	15500	16400	17300	18200	19100	20000	20900	21800	22700

Plated Weights [kg]

	Design
Gross Vehicle Weight	16000
Gross Combination Weight	16500
Front Axle	5800
Rear Axle	10900

Important Notes

Chassis Dimensions

Cab Height: +39 mm for CAB-CRW.
 Front Axle to Back of Cab: +1338 mm for CAB-CRW, +330 mm for CAB-SSLP.
 D-measure includes a front clearance of 50 mm and for rigid trucks also a subframe of 120 mm.
 Height can vary ± 20 mm for leaf and ± 10 mm for air suspension.
 All dimensions are for unladen chassis and any tag axles down.

Weight and dimensions are based upon the following tyres:
 Front Axle Tyres: 245/70R19.5
 Drive Axle Tyres: 245/70R19.5

Chassis weight includes oil, water, AdBlue, 0 litres fuel and without driver. Kerb weight can vary ± 3%.

Turning diameters are theoretically calculated.

Legal weights can differ from country to country.

For more detailed weight information, including optional equipment weights, ask your Volvo sales contact to enter your specification into the Volvo Weight Information system (WIS).

Do NOT use this drawing for bodybuilding. Refer to Volvo Bodybuilder Instructions and chassis assembly drawing FL42R516A.

MODEL RANGE

FL 42R GVW16 5L air FL 42 R 516A

Core components

- **CHH-MED** Chassis height medium - approx. 900 mm above ground level
- **RAD-A2V** Rear air suspension, 1 axle - 1 driven
- **CAB-CRW** Crew cab
- **CAB-DAY** Day cab
- **CAB-SSLP** Comfort cab
- **EU6SCR** Euro 6 emission level with Selective Catalytic Reduction (SCR), particle filter and Exhaust Gas Recirculation (EGR)
- **D5K210** Four cylinder diesel engine, 5.1 litre Euro 6 SCR + EGR (Diesel Particulate Filter), 210 hp, 800 Nm
- **D5K240** Four cylinder diesel engine, 5.1 litre Euro 6 SCR + EGR (Diesel Particulate Filter), 240 hp, 900 Nm
- **ATO1056** I-Sync, Automated manual 6 speed gearbox, 1070 Nm
- **ATO8006** I-Sync, Automated manual 6 speed gearbox, 850 Nm
- **STO8006** Manual overdrive 6 speed gearbox, 850 Nm
- **ZTO1006** Overdrive 6 speed manual ZF gearbox, 1050 Nm
- **EBR-EPG** Engine brake with Exhaust Press Governor, EPG
- **RSS1125A** Rear single reduction solo axle - axle load 11 tonnes, GCW 25 tonnes
- **RSS1132A** Rear single reduction solo axle - axle load 11 tonnes, GCW 32.5 tonnes

Packages

- **DRIVEFL** Driver convenience package FL
- **VISIFL** Visibility package FL - Optimizing the drivers field of vision around the cab
- **AIRFLOW** Airflow package FL - Includes adjustable roof spoiler, side deflector and sun visor
- **AUDIODAB** Audio System DAB
- **AUDIOPD** Audio Preparation DAB kit, incl. DAB-amplifier

Chassis

- **FST-PAR** Front parabolic leaf suspension (normal stiffness)
- **FAL5.8** Front axle design capacity 5.8 tonnes
- **RAL10.9** Rear axle design capacity 10.9 tonnes
- **EBS-MED** EBS (Electronic Brake System) medium package incl. traction control system (TCS) and hill start aid
- **EBS-STD** EBS (Electronic Brake System) standard package (without traction control)
- **RST-AIR** Rear air suspension
- **SUSPL-E1** Remote control on wander-lead for air suspension levelling with 1 sensor on rear axle
- **SUSPL-E2** Remote control on wander-lead for air suspension levelling with 2 sensors on rear axle
- **SUSPL-E3** Integral three dash switches for air suspension levelling control with 1 sensor
- **FST7070** Frame section thickness - web 7.0 mm / flange 7.0 mm
- **FST8080** Frame section thickness - web 8.0 mm / flange 8.0 mm
- **2BATT170** Batteries 2x170 Ah
- **ADR2** ADR adaptation, transportation of dangerous goods, 2 switches
- **R80P** Right 80 litre plastic diesel tank
Min volume 80l
Max volume 430l
- **UL-FUEL** Without left diesel tank
Min volume 80l
Max volume 215l
- **ADTP-L** AdBlue tank mounted on left hand side
- **ADTP-R** AdBlue tank mounted on right hand side
- **WHC-FIX1** One fixed wheel chock
- **WHC-FIX2** Two fixed wheel chocks

- **TOWMBRH** High mounted towing member, in centre of frame
- **C-RO40AG** Towing coupling Rockinger 400 G-145
- **TOWF-NO1** One front towing device
- **TOWF-NO2** Two front towing devices
- **TOWR-ONE** One rear towing device in frame end cross member
- **TREL15** 15 pol electrical trailer connector (ADR certified)
- **TBC-EC** Trailer brake connection, European Community
- **RUP-FIX2** Fixed rear underrun protection, EC approved
- **RFEND-T** Transport mounted one-piece rear fenders, only for Jockey transport
- **2024GSR** General safety regulations 2024

Rims and tyres

- **RT-AL** Brushed aluminium rims on all axles
- **RT-ALDP** Dura-Bright aluminium rims on all axles
- **RT-STEEL** Steel rims on all axles
- **SPWT-F** Spare wheel with tyre equal to front wheel
- **SWCP-LF** Spare wheel carrier on left side in front of rear axle
- **SWCP-R** Spare wheel carrier mounted behind rear axle and below frame
- **SWCP-T** Temporary spare wheel carrier.
Spare wheel is transport mounted (strapped on top of the frame rails) with plastic strips.
- **SWCP-TP** Spare wheel carrier transport mounted with the spare wheel on top of the frame rails
- **JACK-8T** Jack, 8 tonnes
- **GAUGE-TP** The practical tyre pressure gauge measures the air pressure in a tyre. It is delivered and stored in a protective plastic box

Powertrain equipment

- **CS39A-O** Single plate clutch, plate diameter 395 mm
- **RET-TPT** Retarder for hydraulic gearbox
- **TC-HWO** Oil cooler for hydraulic transmissions – water/oil
- **1COMP500** Single cylinder air compressor 360 cc / 500 l/min
- **AIRIN-FR** Front air intake, chassis mounted on right hand side, ahead of front wheel
- **AIRIN-HI** High air intake, mounted behind cab on left hand side
- **AIRIN-RL** Low air intake, chassis mounted behind cab on left hand side
- **ACL1ST** Air cleaner with one filter element
- **ACL1ST-S** Air cleaner with additional filter element
- **24AL110B** Alternator 110 Ampere
- **24AL130B** Alternator 130 Ampere
- **CCV-C** Closed crankcase ventilation
- **CCV-OX** Open crankcase ventilation with oil separator and a maintenance free gas centrifuge
- **EST-AID** Engine start pre-heating element
- **PTER-100** Rear engine mounted clutch independent power-take-off with flange connection (DIN 100 / ISO 7646)
- **PTER-DIN** Rear engine mounted clutch independent PTO with splined shaft groove (female) for a close coupled pump (DIN 5462 / ISO 7653)
- **PTER1400** Rear engine mounted clutch independent power-take-off with flange connection (SAE 1410 / ISO 7647)
- **PR-HF4S** PTO transmission, Hydrocar, flange connection, side mounted
- **PR-HF4SH** PTO transmission, Hydrocar, flange connection, side mounted, high speed
- **PR-HF6S** PTO transmission, Hydrocar, flange connection, side mounted
- **PR-HP4S** PTO transmission, Hydrocar, pump connection, side mounted
- **PR-HP4SH** PTO transmission, Hydrocar, pump connection, side mounted, high speed
- **PR-HP6S** PTO transmission, Hydrocar, pump connection, side mounted
- **PTR-FH1** Rear gearbox mounted Hydrocar S81 PTO with flange connection (DIN 90 / ISO 7646) for propeller shaft (800 Nm)

■ Standard Equipment □ Optional Equipment

For more detailed information about cab and powertrain equipment, please refer to separate specification sheets.

For all possible options and combinations of options please consult your Volvo sales contact who can create a specification to match your requirements using the Volvo Sales Support system (VSS).

The factory reserves the right to modify design and change equipment without previous notification. The specification can vary from country to country.

MODEL RANGE

FL 42R GVW16 5L air FL 42 R 516A

- PTR-FH2** Rear gearbox mounted Hydrocar S84 PTO with flange connection (DIN 90 / ISO 7646) for propeller shaft (430 Nm)
- PTR-FH5** Rear gearbox mounted Hydrocar S88 PTO with flange connection (DIN 90 / ISO 7646) for propeller shaft (450 Nm)
- PTR-PH1** Rear gearbox mounted Hydrocar S81 PTO with connection (DIN 5462 / ISO 7653) for pump (800 Nm)
- PTR-PH2** Rear gearbox mounted Hydrocar S84 PTO with connection (DIN 5462 / ISO 7653) for pump (430 Nm)
- PTR-PH4** Rear gearbox mounted Hydrocar S88 PTO with connection (DIN 5462 / ISO 7653) for pump (450 Nm)
- PTR-PK** Electrical and solenoid prep kit for gearbox PTO
- PTR-ZF2** Rear gearbox mounted ZF PTO with flange connection (DIN 100 / ISO 7646) for prop shaft (410 Nm)
- PTR-ZF3** Rear gearbox mounted ZF PTO with connection (DIN 5462 / ISO 7653) for pump (410 Nm)
- PTR-ZF4** Rear gearbox mounted ZF PTO with flange connection (DIN 100 / ISO 7646) for prop shaft (320 Nm)
- PTR-ZF5** Rear gearbox mounted ZF PTO with connection (DIN 5462 / ISO 7653) for pump (320 Nm)
- PTR-ZF6** Rear gearbox mounted ZF PTO with flange connection (DIN 100 / ISO 7646) for prop shaft (270 Nm)
- HPG-F101** Hydraulic gearbox mounted pump F1-101, fixed displacement, single flow
- HPG-F41** Hydraulic gearbox mounted pump F1-41, fixed displacement, single flow
- HPG-F51** Hydraulic gearbox mounted pump F1-51, fixed displacement, single flow
- HPG-F61** Hydraulic gearbox mounted pump F1-61, fixed displacement, single flow
- HPG-F81** Hydraulic gearbox mounted pump F1-81, fixed displacement, single flow
- ETC** Electronic throttle control - dash mounted switch for PTO speed control

Cab interior

- TAS-DIG4** Gen 4 one day digital tachograph, EC approved

Cab exterior

- SUNV-B** Exterior transparent dark grey front sun visor
- SUNV-PK** Exterior front sun visor installation preparation kit (fasteners)
- AD-SIDES** Short cab side air deflectors
- BEACON-P** Roof beacon lights wire preparation (two cable pass throughs)
- BEACONA2** 2 amber beacon, roof mounted warning lamps

Superstructure preparations

- FBA-BTF** Front body attachments for flexible body
- FBA-BTSF** Front body attachments for semi-flexible body
- RBA-T2** Rear body attachments, divided
- TAILPREP** Tail lift preparation kit

Services

- TGW-4G** Telematics gateway with 4G modem
- WVTA** Whole Vehicle Type Approved

Volvo Trucks. Driving Progress