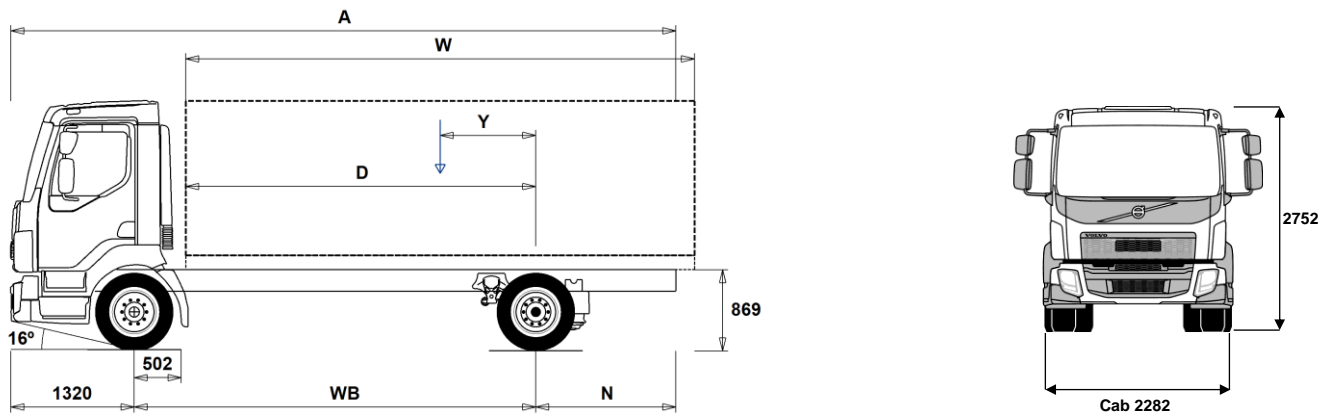


MODEL RANGE

FL 42R GVW14 5L air FL 42 R 514A



Chassis Dimensions [mm]

WB Wheelbase	3500	3800	4100	4400	4700	5000	5300	5600	5900	6200	6500
A Overall Chassis Length	6975	7425	7955	8425	8915	9435	9915	10425	10835	11430	11730
D Center of rear axle to front of body	2948	3248	3548	3848	4148	4448	4748	5048	5348	5648	5948
N Rear Overhang (Min.)	2055	1885	2445	2635	2835	2895	2895	3415	3295	3505	3755
N Rear Overhang (Max.)	2155	2305	2535	2705	2895	3115	3295	3505	3615	3910	3910
Y Center of Gravity for Payload (Min.)	559	607	657	706	754	800	848	897	940	990	1033
Y Center of Gravity for Payload (Max.)	739	804	869	934	998	1062	1126	1191	1251	1318	1378
W Body Length (Min.)	4417	4889	5358	5827	6299	6772	7244	7713	8193	8660	9140
W Body Length (Max.)	4778	5282	5783	6284	6789	7295	7800	8302	8816	9316	9829

Chassis Weights [kg]

Front Axle	2955	2960	2955	2955	2960	2970	2975	2975	2990	2990	3000
Rear Axle	1360	1385	1405	1420	1440	1470	1490	1505	1535	1555	1565
Kerb Weight	4315	4345	4360	4375	4400	4440	4465	4480	4525	4545	4565
Payload (including body, driver, fuel, etc.)	9685	9655	9640	9625	9600	9560	9535	9520	9475	9455	9435

Turning Diameter [mm]

Turning Circle Diameter Kerb to Kerb	12400	13300	14200	15100	16000	16900	17700	18600	19500	20400	21300
Turning Circle Diameter Wall to Wall	13700	14600	15500	16400	17300	18200	19100	20000	20900	21800	22700

Plated Weights [kg]

	Design
Gross Vehicle Weight	14000
Gross Combination Weight	15500
Front Axle	5000
Rear Axle	9500

Important Notes

Chassis Dimensions

Cab Height: +39 mm for CAB-CRW.
 Front Axle to Back of Cab: +1294 mm for CAB-CRW, +316 mm for CAB-SSLP.
 D-measure includes a front clearance of 50 mm and for rigid trucks also a subframe of 120 mm.
 Height can vary ± 20 mm for leaf and ± 10 mm for air suspension.
 All dimensions are for unladen chassis and any tag axles down.

Weight and dimensions are based upon the following tyres:
 Front Axle Tyres: 245/70R19.5
 Drive Axle Tyres: 245/70R19.5

Chassis weight includes oil, water, AdBlue, 0 litres fuel and without driver. Kerb weight can vary ± 3%.

Turning diameters are theoretically calculated.

Legal weights can differ from country to country.

For more detailed weight information, including optional equipment weights, ask your Volvo sales contact to enter your specification into the Volvo Weight Information system (WIS).

Do NOT use this drawing for bodybuilding. Refer to Volvo Bodybuilder Instructions and chassis assembly drawing FL42R514A.

MODEL RANGE

FL 42R GVW14 5L air FL 42 R 514A

Core components

- **CHH-MED** Chassis height medium - approx. 900 mm above ground level
- **RAD-A2V** Rear air suspension, 1 axle - 1 driven
- **CAB-CRW** Crew cab
- **CAB-DAY** Day cab
- **CAB-SSLP** Comfort cab
- **EU6SCR** Euro 6 emission level with Selective Catalytic Reduction (SCR), particle filter and Exhaust Gas Recirculation (EGR)
- **D5K210** Four cylinder diesel engine, 5.1 litre Euro 6 SCR + EGR (Diesel Particulate Filter), 210 hp, 800 Nm
- **D5K240** Four cylinder diesel engine, 5.1 litre Euro 6 SCR + EGR (Diesel Particulate Filter), 240 hp, 900 Nm
- **ATO1056** I-Sync, Automated manual 6 speed gearbox, 1070 Nm
- **ATO8006** I-Sync, Automated manual 6 speed gearbox, 850 Nm
- **STO8006** Manual overdrive 6 speed gearbox, 850 Nm
- **ZTO1006** Overdrive 6 speed manual ZF gearbox, 1050 Nm
- **EBR-EPG** Engine brake with Exhaust pressure governor, EPG
- **RSS1125A** Rear single reduction solo axle - axle load 11 tonnes, GCW 25 tonnes
- **RSS1132A** Rear single reduction solo axle - axle load 11 tonnes, GCW 32.5 tonnes

Packages

- **DRIVEFL** Driver convenience package FL
- **VISIFL** Visibility package FL - Optimizing the drivers field of vision around the cab
- **AIRFLOW** Airflow package FL - Includes adjustable roof spoiler, side deflector and sun visor
- **AUDIODAB** Audio System DAB
- **AUDIOPD** Audio Preparation DAB kit, incl. DAB-amplifier

Chassis

- **FST-PAR** Front parabolic leaf suspension (normal stiffness)
- **FAL5.0** Front axle load 5.0 tonnes
- **FAL5.8** Front axle load 5.8 tonnes
- **RAL9.5** Rear axle load 9.5 tonnes
- **EBS-MED** EBS (Electronic Brake System) medium package
- **EBS-STD** EBS (Electronic Brake System) standard package
- **RST-AIR** Rear air suspension
- **SUSPL-E1** Remote control on wander-lead for air suspension levelling with 1 sensor on rear axle
- **SUSPL-E2** Remote control on wander-lead for air suspension levelling with 2 sensors on rear axle
- **SUSPL-E3** Integral three dash switches for air suspension levelling control with 1 sensor
- **FST6060** Frame section thickness - web 6.0 mm / flange 6.0 mm
- **FST7070** Frame section thickness - web 7.0 mm / flange 7.0 mm
- **FST8080** Frame section thickness - web 8.0 mm / flange 8.0 mm
- **2BATT170** Batteries 2x170 Ah
- **ADR2** ADR adaptation, 1 switch in dashboard, 1 outside on back of cab
- **R80P** Right 80 litre plastic diesel tank
Min volume 80l
Max volume 430l
- **UL-FUEL** Without left diesel tank
Min volume 80l
Max volume 215l
- **ADTP-L** AdBlue tank on left hand side
- **ADTP-R** AdBlue tank on right hand side
- **WHC-FIX1** One fixed wheel chock
- **WHC-FIX2** Two fixed wheel chocks

- **TOWMBRH** High mounted towing member, in centre of frame
- **C-RO40AG** Towing coupling Rockinger 400 G-145
- **TOWF-NO1** One front towing device
- **TOWF-NO2** Two front towing devices
- **TOWR-ONE** One rear towing device in frame end cross member
- **TREL15** 15 pol electrical trailer connector (ADR certified)
- **TBC-EC** Trailer brake connection, European Community
- **RUP-FIX2** Fixed rear underrun protection, EC approved
- **RFEND-T** Transport mounted one-piece rear fenders
- **2024GSR** General safety regulations 2024

Rims and tyres

- **RT-AL** Brushed aluminium rims with std holes (long stud fixing) on all axles
- **RT-ALDP** Dura-Bright polished aluminium rims with std holes (long stud fixing) on all axles
- **RT-STEEL** Steel rims on all axles
- **SPWT-F** Spare wheel with tyre equal to front wheel
- **SWCP-LF** Spare wheel carrier on left side in front of rear axle
- **SWCP-R** Spare wheel carrier transport mounted behind rear axle, on right-hand side (FH, FM)/below frame (FL, FM)
- **SWCP-T** Spare wheel transport mounted on top of frame
- **SWCP-TP** Spare wheel carrier transport mounted with the spare wheel on top of the frame rails
- **JACK-8T** Jack, 8 tonnes
- **GAUGE-TP** Tyre pressure gauge

Powertrain equipment

- **CS39A-O** Single plate clutch, plate diameter 395 mm
- **RET-TPT** Retarder for hydraulic gearbox
- **TC-HWO** Oil cooler for hydraulic transmissions – water/oil
- **1COMP500** Single cylinder air compressor 360 cc / 500 l/min
- **AIRIN-FR** Front air intake, chassis mounted on right hand side, ahead of front wheel
- **AIRIN-HI** High air intake
- **AIRIN-RL** Low air intake, chassis mounted behind cab on left hand side
- **ACL1ST** Air cleaner with one filter element
- **ACL1ST-S** Air cleaner with additional filter element
- **24AL110B** Alternator 110 Ampere
- **24AL130B** Alternator 130 Ampere
- **CCV-C** Closed crankcase ventilation
- **CCV-OX** Open crankcase ventilation with oil separator and a maintenance free gas centrifuge
- **EST-AID** Engine start pre-heating element
- **PTER-100** Rear engine mounted clutch independent power-take-off with flange connection (DIN 100 / ISO 7646)
- **PTER-DIN** Rear engine mounted clutch independent PTO with splined shaft groove (female) for a close coupled pump (DIN 5462 / ISO 7653)
- **PTER1400** Rear engine mounted clutch independent power-take-off with flange connection (SAE 1410 / ISO 7647)
- **PR-HF4S** PTO transmission, Hydrocar, flange connection, side mounted
- **PR-HF4SH** PTO transmission, Hydrocar, flange connection, side mounted, high speed
- **PR-HF6S** PTO transmission, Hydrocar, flange connection, side mounted
- **PR-HP4S** PTO transmission, Hydrocar, pump connection, side mounted
- **PR-HP4SH** PTO transmission, Hydrocar, pump connection, side mounted, high speed
- **PR-HP6S** PTO transmission, Hydrocar, pump connection, side mounted
- **PTR-FH1** Rear gearbox mounted Hydrocar S81 PTO with flange connection (DIN 90 / ISO 7646) for propeller shaft (800 Nm)
- **PTR-FH2** Rear gearbox mounted Hydrocar S84 PTO with flange connection (DIN 90 / ISO 7646) for propeller shaft (430 Nm)

■ Standard Equipment □ Optional Equipment

For more detailed information about cab and powertrain equipment, please refer to separate specification sheets.

For all possible options and combinations of options please consult your Volvo sales contact who can create a specification to match your requirements using the Volvo Sales Support system (VSS).

The factory reserves the right to modify design and change equipment without previous notification. The specification can vary from country to country.

MODEL RANGE

FL 42R GVW14 5L air FL 42 R 514A

- PTR-FH5** Rear gearbox mounted Hydrocar S88 PTO with flange connection (DIN 90 / ISO 7646) for propeller shaft (450 Nm)
- PTR-PH1** Rear gearbox mounted Hydrocar S81 PTO with connection (DIN 5462 / ISO 7653) for pump (800 Nm)
- PTR-PH2** Rear gearbox mounted Hydrocar S84 PTO with connection (DIN 5462 / ISO 7653) for pump (430 Nm)
- PTR-PH4** Rear gearbox mounted Hydrocar S88 PTO with connection (DIN 5462 / ISO 7653) for pump (450 Nm)
- PTR-PK** Electrical and solenoid prep kit for gearbox PTO
- PTR-ZF2** Rear gearbox mounted ZF PTO with flange connection (DIN 100 / ISO 7646) for prop shaft (410 Nm)
- PTR-ZF3** Rear gearbox mounted ZF PTO with connection (DIN 5462 / ISO 7653) for pump (410 Nm)
- PTR-ZF4** Rear gearbox mounted ZF PTO with flange connection (DIN 100 / ISO 7646) for prop shaft (320 Nm)
- PTR-ZF5** Rear gearbox mounted ZF PTO with connection (DIN 5462 / ISO 7653) for pump (320 Nm)
- PTR-ZF6** Rear gearbox mounted ZF PTO with flange connection (DIN 100 / ISO 7646) for prop shaft (270 Nm)
- HPG-F101** Gearbox mounted hydraulic pump F1-101, fixed displacement, single flow
- HPG-F41** Gearbox mounted hydraulic pump F1-41, fixed displacement, single flow
- HPG-F51** Gearbox mounted hydraulic pump F1-51, fixed displacement, single flow
- HPG-F61** Gearbox mounted hydraulic pump F1-61, fixed displacement, single flow
- HPG-F81** Gearbox mounted hydraulic pump F1-81, fixed displacement, single flow
- ETC** Electronic throttle control - dash mounted switch for PTO speed control

Cab interior

- **TAS-DIG4** Gen 4 one day digital tachograph, EC approved (GNSS & DSRC, EU 2020/1054)

Cab exterior

- SUNV-B** Exterior transparent dark grey front sun visor
- **SUNV-PK** Exterior front sun visor installation preparation kit (fasteners)
- AD-SIDES** Short cab side air deflectors
- BEACON-P** Prepared for roof beacons
- BEACONA2** 2 amber beacon, roof mounted warning lamps

Superstructure preparations

- FBA-BTF** Front body attachments for flexible body
- FBA-BTSF** Front body attachments for semi-flexible body
- RBA-T2** Rear body attachments for helper frame
- TAILPREP** Tail lift preparation kit

Services

- TGW-4G** Telematics gateway with 4G modem
- **WVTA** Whole Vehicle Type Approved