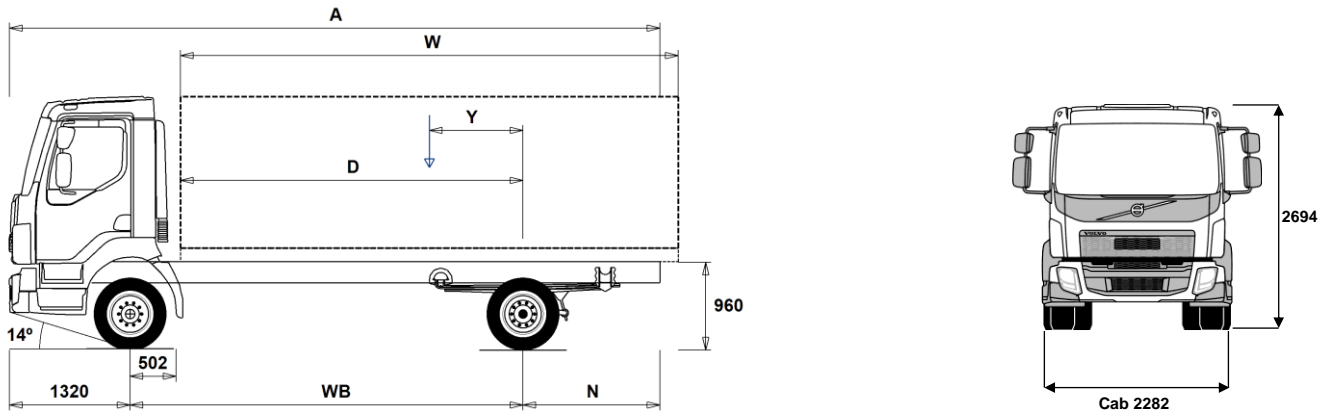


MODEL RANGE

FL 42R GVW10 5L leaf FL 42 R 510L



Chassis Dimensions [mm]

WB Wheelbase	3250	3500	3800	4100	4400	4700	5000	5300	5600	5900	6200	6500
A Overall Chassis Length	6545	6975	7425	7955	8425	8915	9435	9915	10425	10835	11430	11730
D Center of rear axle to front of body	2698	2948	3248	3548	3848	4148	4448	4748	5048	5348	5648	5948
N Rear Overhang (Min.)	1885	2055	1855	2445	2635	2835	2895	2895	3415	3295	3505	3755
N Rear Overhang (Max.)	1975	2155	2305	2535	2705	2895	3115	3295	3505	3615	3910	3910
Y Center of Gravity for Payload (Min.)	-230	-244	-278	-299	-323	-350	-380	-406	-432	-473	-498	-532
Y Center of Gravity for Payload (Max.)	626	678	732	793	853	911	969	1028	1088	1140	1202	1255
W Body Length (Min.)	4144	4540	5032	5509	5990	6473	6958	7439	7920	8416	8892	9386
W Body Length (Max.)	4648	5048	5528	6008	6488	6968	7448	7928	8408	8888	9368	9848

Chassis Weights [kg]

Front Axle	2830	2825	2840	2840	2840	2845	2850	2855	2855	2870	2870	2875
Rear Axle	1095	1105	1140	1155	1170	1195	1220	1235	1250	1280	1295	1305
Kerb Weight	3925	3930	3980	3995	4010	4040	4070	4090	4105	4150	4165	4180
Payload (including body, driver, fuel, etc.)	6075	6070	6020	6005	5990	5960	5930	5910	5895	5850	5835	5820

Turning Diameter [mm]

Turning Circle Diameter Kerb to Kerb	11600	12300	13200	14100	15000	15900	16800	17700	18600	19500	20400	21300
Turning Circle Diameter Wall to Wall	12900	13700	14600	15500	16400	17300	18200	19100	20000	20900	21800	22700

Plated Weights [kg]

	Design
Gross Vehicle Weight	10000
Gross Combination Weight	15500
Front Axle	4000
Rear Axle	7600

Important Notes

Chassis Dimensions

Cab Height: +39 mm for CAB-CRW.
 Front Axle to Back of Cab: +1294 mm for CAB-CRW, +316 mm for CAB-SSLP.
 D-measure includes a front clearance of 50 mm and for rigid trucks also a subframe of 120 mm.
 Height can vary ± 20 mm for leaf and ± 10 mm for air suspension.
 All dimensions are for unladen chassis and any tag axles down.

Weight and dimensions are based upon the following tyres:
 Front Axle Tyres: 235/75R17.5
 Drive Axle Tyres: 235/75R17.5

Chassis weight includes oil, water, AdBlue, 0 litres fuel and without driver. Kerb weight can vary ± 3%.

Turning diameters are theoretically calculated.

Legal weights can differ from country to country.

For more detailed weight information, including optional equipment weights, ask your Volvo sales contact to enter your specification into the Volvo Weight Information system (WIS).

Do NOT use this drawing for bodybuilding. Refer to Volvo Bodybuilder Instructions and chassis assembly drawing FL42R510L.

MODEL RANGE

FL 42R GVW10 5L leaf FL 42 R 510L

Core components

- **CHH-LOW** Chassis height low - approx. 850 mm above ground level
- **RAD-L80** Rear leaf suspension, 1 axle - 1 driven (80 mm wide leafs)
- **CAB-CRW** Crew cab
- **CAB-DAY** Day cab
- **CAB-SSLP** Comfort cab
- **EU6SCR** Euro 6 emission level with Selective Catalytic Reduction (SCR), particle filter and Exhaust Gas Recirculation (EGR)
- **D5K210** Four cylinder diesel engine, 5.1 litre Euro 6 SCR + EGR (Diesel Particulate Filter), 210 hp, 800 Nm
- **D5K240** Four cylinder diesel engine, 5.1 litre Euro 6 SCR + EGR (Diesel Particulate Filter), 240 hp, 900 Nm
- **ATO1056** I-Sync, Automated manual 6 speed gearbox, 1070 Nm
- **ATO8006** I-Sync, Automated manual 6 speed gearbox, 850 Nm
- **STO8006** Manual overdrive 6 speed gearbox, 850 Nm
- **ZTO1006** Overdrive 6 speed manual ZF gearbox, 1050 Nm
- **EBR-EPG** Engine brake with Exhaust pressure governor, EPG
- **RSS0819A** Rear single reduction solo axle - axle load 8 tonnes, GCW 18.75 tonnes

Packages

- **DRIVEFL** Driver convenience package FL
- **VISIFL** Visibility package FL - Optimizing the drivers field of vision around the cab
- **AIRFLOW** Airflow package FL - Includes adjustable roof spoiler, side deflector and sun visor
- **AUDIODAB** Audio System DAB
- **AUDIOPD** Audio Preparation DAB kit, incl. DAB-amplifier

Chassis

- **FST-PAR** Front parabolic leaf suspension (normal stiffness)
- **FST-PAR3** Two-leaf front parabolic suspension (stiffer than normal)
- **RSTAB1** Rear stabilizer with normal stiffness
- **EBS-MED** EBS (Electronic Brake System) medium package
- **EBS-STD** EBS (Electronic Brake System) standard package
- **RST-PAR1** Rear parabolic leaf suspension
- **FST5050** Frame section thickness - web 5.0 mm / flange 5.0 mm
- **FST6060** Frame section thickness - web 6.0 mm / flange 6.0 mm
- **FST7070** Frame section thickness - web 7.0 mm / flange 7.0 mm
- **FST8080** Frame section thickness - web 8.0 mm / flange 8.0 mm
- **2BATT170** Batteries 2x170 Ah
- **ADR2** ADR adaptation, 1 switch in dashboard, 1 outside on back of cab
- **R80P** Right 80 litre plastic diesel tank
Min volume 80l
Max volume 430l
- **UL-FUEL** Without left diesel tank
- **ADTP-R** AdBlue tank on right hand side
- **WHC-FIX1** One fixed wheel chock
- **WHC-FIX2** Two fixed wheel chocks
- **TOWMBRH** High mounted towing member, in centre of frame
- **C-RO40AG** Towing coupling Rockinger 400 G-145
- **TOWF-NO1** One front towing device
- **TOWF-NO2** Two front towing devices
- **TOWR-ONE** One rear towing device in frame end cross member
- **TREL15** 15 pol electrical trailer connector (ADR certified)
- **TBC-EC** Trailer brake connection, European Community
- **RUP-FIX2** Fixed rear underrun protection, EC approved

- **RFEND-T** Transport mounted one-piece rear fenders
- **2024GSR** General safety regulations 2024

Rims and tyres

- **RT-ALDP** Dura-Bright polished aluminium rims with std holes (long stud fixing) on all axles
- **RT-STEEL** Steel rims on all axles
- **SPWT-F** Spare wheel with tyre equal to front wheel
- **SWCP-LF** Spare wheel carrier on left side in front of rear axle
- **SWCP-R** Spare wheel carrier transport mounted behind rear axle, on right-hand side (FH, FM)/below frame (FL, Spare wheel transport mounted on top of frame
- **SWCP-T** Spare wheel carrier transport mounted with the spare wheel on top of the frame rails
- **SWCP-TP**
- **JACK-6T** Jack, 6 tonnes
- **GAUGE-TP** Tyre pressure gauge

Powertrain equipment

- **CS39A-O** Single plate clutch, plate diameter 395 mm
- **TC-HWO** Oil cooler for hydraulic transmissions – water/oil
- **1COMP500** Single cylinder air compressor 360 cc / 500 l/min
- **AIRIN-FR** Front air intake, chassis mounted on right hand side, ahead of front wheel
- **AIRIN-HI** High air intake
- **AIRIN-RL** Low air intake, chassis mounted behind cab on left hand side
- **ACL1ST** Air cleaner with one filter element
- **ACL1ST-S** Air cleaner with additional filter element
- **24AL110B** Alternator 110 Ampere
- **24AL130B** Alternator 130 Ampere
- **CCV-C** Closed crankcase ventilation
- **CCV-OX** Open crankcase ventilation with oil separator and a maintenance free gas centrifuge
- **EST-AID** Engine start pre-heating element
- **PTER-100** Rear engine mounted clutch independent power-take-off with flange connection (DIN 100 / ISO 7646)
- **PTER-DIN** Rear engine mounted clutch independent PTO with splined shaft groove (female) for a close coupled pump (DIN 5462 / ISO 7653)
- **PTER1400** Rear engine mounted clutch independent power-take-off with flange connection (SAE 1410 / ISO 7647)
- **PR-HF4S** PTO transmission, Hydrocar, flange connection, side mounted
- **PR-HF4SH** PTO transmission, Hydrocar, flange connection, side mounted, high speed
- **PR-HF6S** PTO transmission, Hydrocar, flange connection, side mounted
- **PR-HP4S** PTO transmission, Hydrocar, pump connection, side mounted
- **PR-HP4SH** PTO transmission, Hydrocar, pump connection, side mounted, high speed
- **PR-HP6S** PTO transmission, Hydrocar, pump connection, side mounted
- **PTR-FH5** Rear gearbox mounted Hydrocar S88 PTO with flange connection (DIN 90 / ISO 7646) for propeller shaft (450 Nm)
- **PTR-PH4** Rear gearbox mounted Hydrocar S88 PTO with connection (DIN 5462 / ISO 7653) for pump (450 Nm)
- **HPG-F101** Gearbox mounted hydraulic pump F1-101, fixed displacement, single flow
- **HPG-F41** Gearbox mounted hydraulic pump F1-41, fixed displacement, single flow
- **HPG-F51** Gearbox mounted hydraulic pump F1-51, fixed displacement, single flow
- **HPG-F61** Gearbox mounted hydraulic pump F1-61, fixed displacement, single flow
- **HPG-F81** Gearbox mounted hydraulic pump F1-81, fixed displacement, single flow
- **ETC** Electronic throttle control - dash mounted switch for PTO speed control

Cab interior

- Standard Equipment
- Optional Equipment

For more detailed information about cab and powertrain equipment, please refer to separate specification sheets.

For all possible options and combinations of options please consult your Volvo sales contact who can create a specification to match your requirements using the Volvo Sales Support system (VSS).

The factory reserves the right to modify design and change equipment without previous notification. The specification can vary from country to country.

MODEL RANGE

FL 42R GVW10 5L leaf FL 42 R 510L

- **TAS-DIG4** Gen 4 one day digital tachograph, EC approved (GNSS & DSRC, EU 2020/1054)

Cab exterior

- SUNV-B** Exterior transparent dark grey front sun visor
- **SUNV-PK** Exterior front sun visor installation preparation kit (fasteners)
- AD-SIDES** Short cab side air deflectors
- BEACON-P** Prepared for roof beacons
- BEACONA2** 2 amber beacon, roof mounted warning lamps

Superstructure preparations

- FBA-BTF** Front body attachments for flexible body
- FBA-BTSF** Front body attachments for semi-flexible body
- RBA-T2** Rear body attachments for helper frame
- TAILPREP** Tail lift preparation kit

Services

- TGW-4G** Telematics gateway with 4G modem
- **WVTA** Whole Vehicle Type Approved