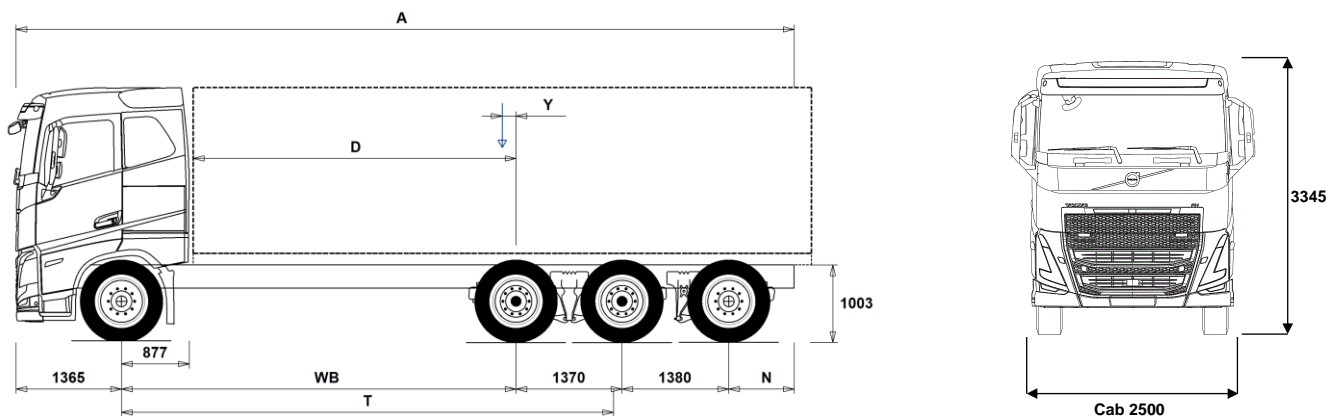


# MODEL RANGE

NEW FH Battery Electric 8x4 Rigid Tag Tridem FH 84R TE



## Chassis Dimensions [mm]

WB Wheelbase	4300	4600	4900	5200
A Overall Chassis Length	10610	10810	11060	11360
D Center of rear axle to front of body	3373	3673	3973	4273
N Rear Overhang (Min.)	845	845	1245	845
N Rear Overhang (Max.)	2195	2095	2045	2045
T Theoretical Wheelbase	5559	5859	6159	6459
Y Center of Gravity for Payload (Min.)	-804	-759	-822	-831
Y Center of Gravity for Payload (Max.)	-804	-759	-822	-831

## Chassis Weights [kg]

Front Axle	6410	6345	6625	6715
Rear Bogie	6085	6165	5910	5840
Kerb Weight	12495	12510	12535	12555
Payload (including body, driver, fuel, etc.)	19505	19490	19465	19445

## Turning Diameter [mm]

Turning Circle Diameter Kerb to Kerb	17300	18200	19100	20000
Turning Circle Diameter Wall to Wall	18700	19600	20500	21400

## Plated Weights [kg]

	Plated	Design
Gross Vehicle Weight	32000	35000
Gross Combination Weight	44000	44000
Front Axle	8000	8000
Rear Bogie	24000	27000

## Important Notes

### Chassis Dimensions

Cab Height: +375 mm for CAB-HSLP, -203 mm for CAB-LSLP, +517 mm for CAB-XHSL.

D-measure includes a front clearance of 50 mm and for rigid trucks also a subframe of 100 mm.

Height can vary  $\pm 20$  mm for leaf and  $\pm 10$  mm for air suspension.

All dimensions are for unladen chassis and any tag axles down. Chassis height used: CHH-MED.

Height change when chassis height CHH-HIGH: 0 mm.

Weight and dimensions are based upon the following tyres:

Front Axle Tyres:	315/80R22.5
Drive Axle Tyres:	315/80R22.5
Trailing/Pusher Axle Tyres:	315/80R22.5

Chassis weight includes oil, water, AdBlue, 0 litres fuel and without driver. Kerb weight can vary  $\pm 10\%$ .

Turning diameters are theoretically calculated. Tag axle used: TA-HYDRS.

Legal weights can differ from country to country.

For more detailed weight information, including optional equipment weights, ask your Volvo sales contact to enter your specification into the Volvo Weight Information system (WIS).

Do NOT use this drawing for bodybuilding. Refer to Volvo Bodybuilder Instructions and chassis assembly drawing FH84RTE.

# MODEL RANGE

## NEW FH Battery Electric 8x4 Rigid Tag Tridem FH 84R TE

### TRUCK USE

- **RC-SMOOT** Road Conditions - Smooth
- **TIPP-PRE** Transport Adaption - Tipper vehicle preparation
- **UNIFORM** Transport Adaption - Basic platform vehicle

### CORE COMPONENTS

- **CHH-HIGH** Chassis Height - High - for loading heights check the unique BEP chassis drawing attached to this quote
- **CHH-MED** Chassis Height - Medium - for loading heights check the unique BEP chassis drawing attached to this quote
- **TA-HYSB2** Tag axle - Electro-hydraulically steered
- **RADDT-GR** Rear air suspension - 3 axles - 2 driven / 1 tag
- **FHE-HSLP** Cab - Globetrotter - all-steel safety cage design with a roof-mounted emergency escape hatch. Designed and built to Swedish impact and ECE R29 regulations
- **FHE-LSLP** Cab - Low sleeper - with steel safety cage design. Designed and built to Swedish impact and ECE R29 regulations
- **FHE-SLP** Cab - Sleeper - all-steel safety cage design with a roof-mounted emergency escape hatch. Designed and built to Swedish impact and ECE R29 regulations
- **FHE-XHSL** Cab - Globetrotter XL - all-steel safety cage design with a roof-mounted emergency escape hatch. Designed and built to Swedish impact and ECE R29 regulations
- **EPT2412** Gearbox - I-shift Automated 12-speed - suitable for gross train weights up to 44tonne
- **NEM3** Electric Motors - 3 - Output 490 kW – 666hp continuous power
- **RTS2370A** Drive Axles - RTS2370A 23-tonne single reduction tandem with differential and cross locks\*- design GCW 70tonne  
\* Cross locks replaced by a dog clutch if tandem axle lift is specified

### PACKAGES

- **INFONDF** Media Information Platform with Navigation & Volvo Connect "On board" Support
- **DRIV-E** Cab Package - Drive
- **DRIV-E+** Cab Package - Drive +
- **DRIV-E++** Cab Package - Drive +
- **1LIV-E** Sleep & Resting Package - Living one-bed
- **1LIV-E+** Sleep & Resting Package - Living one-bed +
- **1LIV-E++** Sleep & Resting Package - Living one-bed ++
- **2LIV-E** Sleep & Resting Package - Living two-bed
- **2LIV-E+** Sleep & Resting Package - Living two-bed +
- **2LIV-E++** Sleep & Resting Package - Living two-bed ++
- **SAFE-E** Active safety package
- **SAFE-E+** Active safety package +
- **RANGOPT5** Range Optimisation Package - 5 years prepaid subscription

### CHASSIS

- **FST-AIR** Front suspension type - Air
- **FSLs-BAS** Front suspension levelling - basic stroke
- **FSLs-HI** Front suspension levelling - high stroke for demount operations - check with bodybuilder
- **FAL10.0** Front axle design capacity - 10 tonne - check tyre capacity
- **FAL9.0** Front axle design capacity - 9.0 tonne - check tyre capacity
- **FSTAB** Front anti-roll bar - Normal stiffness
- **FSTAB2** Front anti-roll bar - Medium stiffness
- **FSTAB3** Front anti-roll bar - High stiffness
- **RAL27** Rear bogie design capacity - 27 tonne
- **RAL33** Rear bogie design capacity - 33 tonne
- **RALIM105** Rear-axle load limiter - 10.5 tonne - speed controlled
- **RALIM115** Rear-axle load limiter -11.5 tonne - speed controlled
- **RALIM13** Rear-axle load limiter - 13 tonne

- **RALIM95** Rear-axle load limiter - 9.5 tonne
- **ASF-DL1** Air suspension with 1 driving level
- **ASF-DL3** Air suspension with 3 driving levels
- **ACTST-TO** Active Steering- Volvo Dynamic Steering - VDS - with extra electronic pump and torque overlay
- **ASFE-BAS** Active steering feature - Basic - Volvo Dynamic Steering - VDS - only
- **ASFE-OG** Active steering feature - Volvo Dynamic Steering - VDS - with stability assist - oversteer
- **ASFE-PO** Active steering feature - Volvo Dynamic Steering - VDS - with personal settings and stability assist
- **ASFE-PS** Active steering feature - Volvo Dynamic Steering - VDS - with personal settings
- **AUXPARK** Auxiliary parking brake - Additional spring brakes
- **RST-AIR** Rear suspension type - Air
- **FRAME300** Chassis frame section external height - 300 mm
- **FST8080** Chassis frame thickness - 8 mm web and flange
- **FIL-EEEB** Chassis frame inner liner - From the end of the engine to the end of the bogie
- **FIL-EEEF** Chassis frame inner liner - From the end of the engine to end of the frame
- **FIL-FBEB** Chassis frame inner liner - Over the rear bogie
- **FIL-FBEF** Chassis frame inner liner - From the front of bogie to the end of the frame
- **FIL-TXEB** Chassis frame inner liner - From gearbox member to the end of the bogie
- **FIL-TXEF** Chassis frame inner liner - From gearbox member to the end of the frame
- **BATTAMP** Battery management - Voltage and current gauge
- **BATTIND** Battery management - Voltage, current and charge indicators
- **WHC-FIX2** Wheel chocks - Two fixed design
- **WHC-FOL2** Two foldable wheel chocks
- **WHCP-M** Wheel chock carrier position - Middle part of the vehicle
- **WHCP-R** Wheel chock carrier position - In the rear part of the vehicle
- **WHCP-T** Wheel chock carrier position - Outer luggage locker
- **SUP-BAS** Side guards - Check with bodybuilder chassis space requirements
- **CHAIN-S** Snow chains
- **HOOK-SC** Snow chain hooks
- **TOWF-NO1** Front towing device - One detachable - stored in cab
- **TOWF-NO2** Front towing device - Two detachable - stored in cab
- **TOWMBRH** Towing member, high mounted in centre of frame, D = 190
- **TOWMBRL1** Towing member, low mounted under the frame
- **TOWMBRM** Towing member, medium mounted in line with frame lower flange
- **RFEC-S** Rear frame profile - Straight cut
- **RFEC-U** Rear frame profile - Slight upcut for tippers
- **C-RI4040** Towing coupling, Ringfeder 4040A
- **C-RI5050** Towing coupling, Ringfeder 5050A
- **C-RO400G** Towing coupling, Rockinger 400 G-150 for 40mm eyes
- **C-RO50** Rockinger RO 50 50mm for centre axle trailer
- **C-VBG520** VBG 5200D-3 coupling (Not suitable for centre axle trailers) Contact VBG on 01925 234111 to validate the coupling rating for the application
- **C-VBG795** VBG 795V-3 coupling (centre axle trailer)
- **TOWR-ONE** Towing hitch attached to rear crossmember
- **TREL-PK** Trailer electrical preparation kit - chassis/cab wiring
- **TREL14** Single 14 pole electrical trailer connector
- **TREL15** Trailer electrical connection - Single 15 pin - ADR certified
- **TREL7-7** Trailer electrical connection - 2 x 7 pin - 24N and 24S
- **TBC-DUO** Trailer brake connections - Duomatic type
- **TBC-EC** Trailer brake connections - EC palm coupling connectors
- **TRBR-HCF** Full pressure hand controlled trailer brake

■ Standard Equipment      □ Optional Equipment

For more detailed information about cab and powertrain equipment, please refer to separate specification sheets.

For all possible options and combinations of options please consult your Volvo sales contact who can create a specification to match your requirements using the Volvo Sales Support system (VSS).

The factory reserves the right to modify design and change equipment without previous notification. The specification can vary from country to country.

# MODEL RANGE

## NEW FH Battery Electric 8x4 Rigid Tag Tridem FH 84R TE

<input type="checkbox"/> <b>TRBR-STA</b>	Stationary trailer brake control	<input type="checkbox"/> <b>HPM-V95</b>	Hydraulic pump - VP1-95 for electrical motor, variable displacement pump.
<input type="checkbox"/> <b>TRB-STRE</b>	Stretch Brake - Automatic low speed trailer brake activation to avoid jack-knifing and improve steerability	<input type="checkbox"/> <b>PTR-D</b>	Gearbox PTO for plug-in pump, 0.71xeng speed
<input type="checkbox"/> <b>RFEND-B</b>	Rear mud wings - Three piece EC approved and spray flaps	<input type="checkbox"/> <b>PTR-DH</b>	Gearbox driven high speed PTO for one plug-in hydraulic pump
<input type="checkbox"/> <b>RFEND-T</b>	Rear mud wings - Temporary on drive axle for transport delivery only	<input type="checkbox"/> <b>PTR-DM</b>	Gearbox driven medium speed PTO for one plug-in hydraulic pump
<input type="checkbox"/> <b>RFH-BAS</b>	Basic rear wing height	<input type="checkbox"/> <b>PTR-F</b>	Gearbox driven PTO with rear flange connection
<input type="checkbox"/> <b>RFH-HIG</b>	High rear wing height - higher wing tops	<input type="checkbox"/> <b>PTR-FH</b>	Gearbox driven high speed PTO with SAE drive flange
<input type="checkbox"/> <b>RFH-LOW</b>	Lower rear wing height - shallower wing tops	<input type="checkbox"/> <b>PTR-FL</b>	Gearbox driven low speed PTO with SAE drive flange
<input type="checkbox"/> <b>AUXATNK</b>	Auxiliary airtank	<input type="checkbox"/> <b>PTRD-D</b>	Gearbox driven HIGH SPEED PTO for two plug-in hydraulic pumps
<input checked="" type="checkbox"/> <b>BLIGHT-E</b>	Emergency brake light	<input type="checkbox"/> <b>PTRD-D1</b>	PTRD-D1 Gearbox driven HIGH SPEED PTO (1 SAE flange & 1 plug-in hydraulic pump)
<b>WHEELS &amp; TYRES</b>		<input type="checkbox"/> <b>PTRD-D2</b>	Gearbox driven HIGH SPEED PTO (2 SAE flanges & 1 plug-in hyd pump)
<input checked="" type="checkbox"/> <b>RT-AL</b>	Wheels - Alcoa brushed aluminium rims - standard holes for long stud fixing	<input type="checkbox"/> <b>PTRD-F</b>	PTO with 1 DIN + 1 flange connection rear, manual gearbox
<input type="checkbox"/> <b>RT-ALDP</b>	Wheels - Alcoa Dura-Bright aluminium rims - standard holes for long stud fixing	<input type="checkbox"/> <b>HPG-F101</b>	Parker F1-101 gearbox mounted, fixed displacement, single flow, hydraulic pump
<input type="checkbox"/> <b>RT-ALDPPD</b>	Wheels - Alcoa Dura-Bright EVO aluminium rims - countersunk holes for short stud fixing	<input type="checkbox"/> <b>HPG-F41</b>	Parker F1-41 gearbox mounted, fixed displacement, single flow, hydraulic pump
<input type="checkbox"/> <b>RT-ALDU</b>	Wheels - Alcoa brushed aluminium rims - countersunk holes for short stud fixing	<input type="checkbox"/> <b>HPG-F51</b>	Parker F1-51 gearbox mounted, fixed displacement, single flow, hydraulic pump
<input type="checkbox"/> <b>RT-STEEL</b>	Wheels - Steel rims	<input type="checkbox"/> <b>HPG-F61</b>	Parker F1-61 gearbox mounted, fixed displacement, single flow, hydraulic pump
<input type="checkbox"/> <b>SPWT-D</b>	Spare wheel & tyre with rear tyre pattern	<input type="checkbox"/> <b>HPG-F81</b>	Parker F1-81 gearbox mounted, fixed displacement, single flow, hydraulic pump
<input type="checkbox"/> <b>SPWT-F</b>	Spare wheel & tyre with front tyre pattern	<input checked="" type="checkbox"/> <b>CRUIS-E</b>	Eco cruise control (with eco-roll and I-cruise, controls in steering wheel)
<input type="checkbox"/> <b>SWCP-R</b>	Rear mounted spare wheel carrier	<input checked="" type="checkbox"/> <b>STWPOS-R</b>	Steering wheel position - RIGHT-HAND DRIVE
<input type="checkbox"/> <b>SWCP-T</b>	Spare wheel supplied temporarily strapped to chassis	<input type="checkbox"/> <b>STWM-LE</b>	Steering wheel - Leather rim
<input type="checkbox"/> <b>SWCP-TP</b>	Temporary spare wheel carrier on top of chassis frame	<input checked="" type="checkbox"/> <b>STGW-AD2</b>	Steering wheel adjustment - Neck tilt, column height and angle
<input type="checkbox"/> <b>JACK-12T</b>	12 tonne bottle jack	<input type="checkbox"/> <b>ARSL</b>	Additional road speed limit - switch in dashboard
<input type="checkbox"/> <b>JACK-15T</b>		<input checked="" type="checkbox"/> <b>ESP-BAS1</b>	Electronic Stability Control ESC
<input type="checkbox"/> <b>JACK-20T</b>		<input type="checkbox"/> <b>ESPC-RO</b>	Additional ESC functions - Reduced / Off
<input checked="" type="checkbox"/> <b>TOOL-BAS</b>	Basic Toolkit	<input checked="" type="checkbox"/> <b>HWSS-AC</b>	Adaptive cruise control with forward collision warning
<input type="checkbox"/> <b>TOOLKIT</b>	Complete tool kit	<input type="checkbox"/> <b>HWSS-ACB</b>	Adaptive cruise control ACC with forward collision warning and AEB advanced emergency brake system
<input type="checkbox"/> <b>INFLAHOS</b>	Tyre inflation hose	<input checked="" type="checkbox"/> <b>LSS-DW</b>	Lane departure-warning system
<input type="checkbox"/> <b>GAUGE-TP</b>	Tyre pressure gauge	<input checked="" type="checkbox"/> <b>LCS4</b>	Side Collision Avoidance Support - passenger and driver side
<b>DRIVELINE EQUIPMENT</b>		<input type="checkbox"/> <b>DAS-W</b>	Driver Alert Support system
<input checked="" type="checkbox"/> <b>DRM-BE</b>	Drive Mode - Balanced & Economy	<input type="checkbox"/> <b>RSSENS-W</b>	Rain sensing windscreen wipers
<input checked="" type="checkbox"/> <b>PVT-MAP</b>	I-See Predictive Cruise Control - using map based topography information	<input checked="" type="checkbox"/> <b>CU-ECC</b>	Cab Climate Unit - Electrically controlled air conditioning with sun sensor
<input type="checkbox"/> <b>EP400A</b>	Electric Power Outlet Voltage - 400V AC	<input type="checkbox"/> <b>CU-ECC2</b>	Cab Climate Unit - Electrically controlled air conditioning with a carbon filter, sun, mist, and air quality sensor
<input type="checkbox"/> <b>EPTC270</b>	Electro-mechanical Power Take Off - Output 270 Nm - transport located on top of chassis behind cab	<input checked="" type="checkbox"/> <b>IMMOBIL</b>	Thatcham H2 approved immobiliser
<input type="checkbox"/> <b>HPM-F101</b>	Hydraulic pump - F1-101 for electrical motor, fixed displacement pump	<input type="checkbox"/> <b>ALARM-E</b>	Enhanced vehicle alarm - Thatcham H1 approved - Cab plus external sensor for body/trailer
<input type="checkbox"/> <b>HPM-F41</b>	Hydraulic pump - F1-41 for electrical motor, fixed displacement pump	<input type="checkbox"/> <b>AMPL400</b>	Radio amplifier, 8 channel, 400 W with subwoofer Located in right hand external storage box
<input type="checkbox"/> <b>HPM-F51</b>	Hydraulic pump - F1-51 for electrical motor, fixed displacement pump	<input checked="" type="checkbox"/> <b>BUPMON</b>	Back up monitor - Digital reverse camera, parameter & lead supplied loose in cab.
<input type="checkbox"/> <b>HPM-F61</b>	Hydraulic pump - F1-61 for electrical motor, fixed displacement pump	<input type="checkbox"/> <b>ISUNS-BS</b>	Side sun visor - Driver & passenger side
<input type="checkbox"/> <b>HPM-F81</b>	Hydraulic pump - F1-81 for electrical motor, fixed displacement pump	<input checked="" type="checkbox"/> <b>ISUNS-DS</b>	Side sun visor - Driver-side
<input type="checkbox"/> <b>HPM-T42</b>	Hydraulic pump - F2-42/42 for electrical motor, twin flow displacement pump	<input type="checkbox"/> <b>ISUNF-RE</b>	Electrically operated textile interior sun blind
<input type="checkbox"/> <b>HPM-T53</b>	Hydraulic pump - F2-53/53 for electrical motor, twin flow displacement pump	<input checked="" type="checkbox"/> <b>ISUNF-RM</b>	Manually operated textile interior sun blind
<input type="checkbox"/> <b>HPM-T55</b>	Hydraulic pump - F2-55/28 for electrical motor, twin flow displacement pump	<input checked="" type="checkbox"/> <b>CSPL-BX</b>	Lower center dash open storage box
<input type="checkbox"/> <b>HPM-T70</b>	Hydraulic pump - F2-70/35 for electrical motor, twin flow displacement pump	<input type="checkbox"/> <b>CSPL-BXD</b>	Lower centre dash drawer
<input type="checkbox"/> <b>HPM-V130</b>	Hydraulic pump - VP1-130 for electrical motor, variable displacement pump.	<input type="checkbox"/> <b>ADFS</b>	Two extra DIN slots in front shelf - can be fitted with card or drawer available as an accessory
<input type="checkbox"/> <b>HPM-V45</b>	Hydraulic pump - VP1-45 for electrical motor, variable displacement pump.	<input checked="" type="checkbox"/> <b>BUPALARM</b>	Reverse alarm
<input type="checkbox"/> <b>HPM-V75</b>	Hydraulic pump - VP1-75 for electrical motor, variable displacement pump.		

Standard Equipment

Optional Equipment

For more detailed information about cab and powertrain equipment, please refer to separate specification sheets.

For all possible options and combinations of options please consult your Volvo sales contact who can create a specification to match your requirements using the Volvo Sales Support system (VSS).

The factory reserves the right to modify design and change equipment without previous notification. The specification can vary from country to country.

# MODEL RANGE

## NEW FH Battery Electric 8x4 Rigid Tag Tridem FH 84R TE

<input type="checkbox"/> <b>RTOLL-PK</b>	Road toll PREPARATION kit for trucks operating with "Toll Collect" in Germany	<input type="checkbox"/> <b>TBK60AD</b>	Top bunk - Height adjustable foldable 600 x 1900mm
<input checked="" type="checkbox"/> <b>LOADIND</b>	Load indicator with central dashboard display	<input type="checkbox"/> <b>TBK60F</b>	Top bunk - Fixed foldable 600 x 1900mm
<input type="checkbox"/> <b>REMC-MF</b>	Multi-functio wireless remote control	<input type="checkbox"/> <b>TBK70AD</b>	Top bunk - Height adjustable foldable 700 x 1900mm
<input checked="" type="checkbox"/> <b>FIREXT3S</b>	Fire extinguisher - 3kg mounted on the seat base	<input type="checkbox"/> <b>TBK70F</b>	Top bunk - Fixed foldable 700 x 1900mm
<input type="checkbox"/> <b>WARNVEST</b>	High visibility warning vest - no sleeves	<input checked="" type="checkbox"/> <b>SLCP-BAS</b>	Sleeper control panel - Basic with switches for interior light, night heater, roof hatch and door lock
<input checked="" type="checkbox"/> <b>WARNTRI2</b>	Roadside hazard warning triangle	<input type="checkbox"/> <b>SLCP-LUX</b>	Sleeper control panel - Luxury with switches for interior light, night heater, roof hatch, door lock, alarm clock, window and radio
<input type="checkbox"/> <b>AIDKIT</b>	First aid kit - Legal demand for EU markets including delivery to EU bodybuilder	<input type="checkbox"/> <b>SAFE</b>	Driver's safe box - for personal items
<input type="checkbox"/> <b>AIDKIT1B</b>	First aid kit - Legal demand for trucks transiting Germany	<input type="checkbox"/> <b>RUS-BAS</b>	Rear cab upper storage - 300 mm high
<input type="checkbox"/> <b>WARNLAMP</b>	Portable warning lamp	<input type="checkbox"/> <b>RUS-HIG</b>	Rear cab upper storage - 440 mm high - volume 245 litres
<input type="checkbox"/> <b>LAMP-IN</b>	Inspection lamp	<input type="checkbox"/> <b>TABLE</b>	Bunk table - Folding and height adjustable fitted on lower bunk
<input type="checkbox"/> <b>BULBKIT</b>	Bulb and fuse kit	<input type="checkbox"/> <b>REFR-RUS</b>	Fridge - 28 litre rear upper wall mounted with dividers
<input type="checkbox"/> <b>WRITEPAD</b>	Writing pad	<input type="checkbox"/> <b>REFRIG</b>	Fridge - 33 litre under-bunk mounted with freezer dividers
<input checked="" type="checkbox"/> <b>DST-CF4</b>	Driver seat - Suspended, adjustable shock absorber, travel, backrest & lumbar controls with integrated seatbelt	<input type="checkbox"/> <b>MICRO-PK</b>	Wiring preparation kit for microwave oven
<input type="checkbox"/> <b>DST-CF5</b>	Driver seat - Suspended with adjustable shock absorber, travel, backrest, lumbar & heat controls with integrated seatbelt	<input checked="" type="checkbox"/> <b>BOTH-D</b>	Bottle holder - One under dashboard centre section
<input type="checkbox"/> <b>DST-CF6</b>	Driver seat - Suspended with adjustable shock absorber, travel, backrest, lumbar, heat and ventilation controls with integrated seatbelt	<input type="checkbox"/> <b>BOTH-DL</b>	Bottle holders - Two. One under dashboard centre section and one mounted to the under bunk drawer
<input type="checkbox"/> <b>DST-LUX1</b>	Driver seat - Deluxe 1: electrical adjustment with memory function, lumbar support, heating & ventilation with integrated seatbelt	<input type="checkbox"/> <b>BOTH-L</b>	Bottle holder - One mounted to the under bunk drawer
<input type="checkbox"/> <b>DST-LUX2</b>	Driver seat - Deluxe 2: electrical adjustment with memory function, lumbar support & heating with integrated seatbelt	<input type="checkbox"/> <b>COFMA-PK</b>	Coffee maker - Preparation kit.
<input type="checkbox"/> <b>SBD-RED</b>	Seat belt colour - Red	<input checked="" type="checkbox"/> <b>INLI-BAS</b>	Interior light - White LEDs
<input type="checkbox"/> <b>PST-BAS1</b>	Passenger seat - Fixed non suspended fold up with seatbelt mounted on cab "B" post	<input type="checkbox"/> <b>INLI-NL</b>	Interior light - White and red nightlight LEDs without dimmer
<input type="checkbox"/> <b>PST-CF4</b>	Passenger seat - Suspended, adjustable shock absorber, travel, backrest & lumbar controls with integrated seatbelt	<input type="checkbox"/> <b>INLI-NLD</b>	Interior light - White and red nightlight LEDs with dimmer
<input type="checkbox"/> <b>PST-CF5</b>	Passenger seat - Suspended with adjustable shock absorber, travel, backrest, lumbar & heat controls with integrated seatbelt	<input type="checkbox"/> <b>ARL-FLEX</b>	Flexible reading lamps - Two "snake" type
<input type="checkbox"/> <b>PST-RX1</b>	Passenger seat - Fixed non suspended, features: 90-degree rotation and tilt function with seatbelt mounted on cab "B" post	<input checked="" type="checkbox"/> <b>RH-EE</b>	Fixed tinted glass sky window with emergency exit
<input checked="" type="checkbox"/> <b>PST-STD2</b>	Passenger seat - Fixed with backrest adjustment, non suspended with seatbelt mounted on cab "B" post	<input type="checkbox"/> <b>RH-ER</b>	Steel roof hatch - Electrically operated, rear opening with emergency exit
<input type="checkbox"/> <b>PST-STD4</b>	Passenger seat - Standard suspended with seatbelt mounted on cab "B" post	<input type="checkbox"/> <b>RH-ETR</b>	Tinted glass roof hatch - Electrically operated, rear opening with emergency exit
<input type="checkbox"/> <b>SBPRE-PS</b>	Passenger seat belt pretensioner	<input type="checkbox"/> <b>RH-MTR</b>	Tinted glass roof hatch - Manually operated, rear opening with emergency exit
<input type="checkbox"/> <b>ARMRE-BB</b>	Armrests - Two on both driver & passenger seats	<input checked="" type="checkbox"/> <b>GLAS-TIN</b>	Cab windows - Tinted
<input type="checkbox"/> <b>ARMRE-DB</b>	Armrests - Two on the driver seat	<input type="checkbox"/> <b>SWIND-BS</b>	Cab side window - On both sides behind 'B' post
<input type="checkbox"/> <b>ARMRE-PB</b>	Armrests - Two on the passenger seat	<input type="checkbox"/> <b>AS-FUS</b>	Extra shelf in front compartments
<input type="checkbox"/> <b>ARU-BAS</b>	Armrest upholstery - Vinyl	<input type="checkbox"/> <b>INFOT-PK</b>	Preparation kit for the mounting of a flat screen TV in cab above the driver's door, includes bracket, electrical and speaker connections
<input type="checkbox"/> <b>ARU-LEA</b>	Armrest upholstery - Leather		
<input checked="" type="checkbox"/> <b>GRABHI-B</b>	Instep cab grab handle - Steel finish		
<input type="checkbox"/> <b>GRABHI-L</b>	Instep cab grab handle - Leather finish		
<input checked="" type="checkbox"/> <b>FMAT-RUB</b>	Footwell floor mats - Rubber		
<input type="checkbox"/> <b>FMAT-TX2</b>	Footwell floor mats - Two sets, Rubber and textile with an embossed pile supplied in the cab		
<input checked="" type="checkbox"/> <b>LBK80F</b>	Lower fixed bunk with wide middle section 815 in the centre x 2000 mm		
<input type="checkbox"/> <b>LBK80FRE</b>	Lower electrically operated recline bunk with wide middle section 815 in the centre x 2000 mm		
<input type="checkbox"/> <b>LBK80FRM</b>	Lower manually operated recline bunk with wide middle section 815 in the centre x 2000 mm		
<input type="checkbox"/> <b>MATL-FI</b>	Firm lower bunk pocket sprung mattress		
<input type="checkbox"/> <b>MATL-FI4</b>	Lower mattress - Firm, memory foam, 2000x700x130 mm		
<input checked="" type="checkbox"/> <b>MATL-SF</b>	Lower mattress - Flexi-zone semi-firm, pocket springs up to 100kg - 16 stone		
<input type="checkbox"/> <b>OLMAT-BA</b>	Mattress overlay protector - 35mm thick		
<input type="checkbox"/> <b>OLMAT-PR</b>	Mattress overlay protector - Premium 50mm thick		
<input checked="" type="checkbox"/> <b>Standard Equipment</b>		<input type="checkbox"/> <b>EXTL-EN2</b>	Enhanced complete painted finish - Satin Volvo badges. Main grille, instep, door handles, mirror housing, and bumper in cab colour. Aluminium step inserts. Sunvisor and bumper spoiler in cab colour if specified.
<input type="checkbox"/> <b>Optional Equipment</b>		<input type="checkbox"/> <b>LOCK-CTL</b>	Door locks - Central locking with key
		<input type="checkbox"/> <b>LOCK-REM</b>	Door locks - Remote central locking
		<input checked="" type="checkbox"/> <b>BUMP-B</b>	Plastic front bumper
		<input type="checkbox"/> <b>BUMP-B2</b>	Front bumper - Steel
		<input checked="" type="checkbox"/> <b>BUMP-SP</b>	Front bumper spoiler
		<input type="checkbox"/> <b>CTILT-P-E</b>	Electrically operated hydraulic cab tilt
		<input checked="" type="checkbox"/> <b>CTILT-P-M</b>	Manually operated hydraulic cab tilt
		<input type="checkbox"/> <b>FCABS-A</b>	Front cab suspension - Air
		<input checked="" type="checkbox"/> <b>FCABS-M</b>	Front cab suspension - Mechanical spring
		<input type="checkbox"/> <b>RCABS-A</b>	Rear cab suspension - Air
		<input checked="" type="checkbox"/> <b>RCABS-M</b>	Rear cab suspension - Mechanical spring
		<input type="checkbox"/> <b>HCC-EXT</b>	Exterior hood catch - manually operated from the front of the vehicle
		<input checked="" type="checkbox"/> <b>HCC-INEX</b>	Exterior hood lock - Activated by door lock remote
		<input checked="" type="checkbox"/> <b>MIRCFPCS</b>	Mirrors - Electrically heated and operated main and wide-angle with manually adjusted kerb view mirror on the passenger side and position camera in nearside mirror arm.
		<input checked="" type="checkbox"/> <b>AMIR-F20</b>	Auxiliary front view mirror with a 200mm radius

### CAB EXTERIOR

For more detailed information about cab and powertrain equipment, please refer to separate specification sheets.

For all possible options and combinations of options please consult your Volvo sales contact who can create a specification to match your requirements using the Volvo Sales Support system (VSS).

The factory reserves the right to modify design and change equipment without previous notification. The specification can vary from country to country.

# MODEL RANGE

## NEW FH Battery Electric 8x4 Rigid Tag Tridem FH 84R TE

<input type="checkbox"/> <b>SUNV-H</b>	External smoke grey sunvisor	<input type="checkbox"/> <b>WLC-PKH</b>	Preparation kit, cables and switch for high mounted working lamps back of cab
<input type="checkbox"/> <b>AD-ROOF</b>	Cab roof deflector - Adjustable	<input type="checkbox"/> <b>WLC-PKL</b>	Preparation kit, cables and switch for low mounted working lamps back of cab
<input type="checkbox"/> <b>AD-SIDES</b>	Cab side deflector - Short extension panels	<input type="checkbox"/> <b>WLC-PKLH</b>	Preparation kit - cables and switch for low and high mounted working lamps back of cab.
<input type="checkbox"/> <b>AD-CHASX</b>	Chassis side skirts	<input checked="" type="checkbox"/> <b>ECBB-HIG</b>	Body builder electrical centre with body builder module
<input type="checkbox"/> <b>ADCF-F</b>	Additional black edging on chassis side skirt	<input checked="" type="checkbox"/> <b>BBCHAS1</b>	One 7-pole connector for Body builder interface
<input type="checkbox"/> <b>HLP-ST</b>	Headlamp protection	<input type="checkbox"/> <b>BBCHAS3</b>	Three 7-pole connectors for Body builder interface
<input checked="" type="checkbox"/> <b>DRL-LED</b>	V-shaped daytime running lights	<input type="checkbox"/> <b>BEPR-T2</b>	Body builder electrical software preparation for tipper with remote control
<input type="checkbox"/> <b>DRIVL2</b>	Two spot lamps	<input type="checkbox"/> <b>EXSTER</b>	External steering control - Volvo dynamic steering and bodybuilder module prepared for external control system, installed and computer by bodybuilder
<input checked="" type="checkbox"/> <b>UDRIVL</b>	Auxiliary driving lights - Without	<input type="checkbox"/> <b>TD-BAS</b>	Trailer detection WITHOUT LED sensing
<input checked="" type="checkbox"/> <b>FOGL-WC</b>	Front fog lights	<input type="checkbox"/> <b>TD-LED</b>	Trailer detection with LED sensing
<input checked="" type="checkbox"/> <b>CL-STAT</b>	Static corner lights	<input type="checkbox"/> <b>FBA-BTF</b>	Lower front body attachments for torsionally flexible - platform body
<input type="checkbox"/> <b>ASL-RF2</b>	Two Hella H11 70W spotlamps in sign box	<input type="checkbox"/> <b>FBA-BTSP</b>	Lower front body attachments for torsionally semi-flexible body - box or curtainsider
<input type="checkbox"/> <b>BEACOA2F</b>	Roof beacons - Two front roof mounted amber LED	<input type="checkbox"/> <b>HBA-FSFB</b>	Holes for body attachments - flexible/semi-flexible body
<input type="checkbox"/> <b>BEACOA2R</b>	Roof beacons - Two rear roof mounted amber LED	<input type="checkbox"/> <b>HBA-SB</b>	Holes for body attachments - stiff body
<input type="checkbox"/> <b>BEACON-P</b>	Roof beacons - switch and wiring preparation only	<input type="checkbox"/> <b>RBA-T2</b>	Lower rear body attachments for helper frame
<input type="checkbox"/> <b>BEACONA4</b>	Roof beacons - Four amber LED - two front/ two rear	<input type="checkbox"/> <b>CRANEPK1</b>	Crane plates mounted to frame, for cranes up to 10 tonne metre capacity
<input type="checkbox"/> <b>CABPT-R1</b>	Single outlet for roof mounted accessories	<input type="checkbox"/> <b>CRANEPK2</b>	Crane plates mounted to frame, for cranes up to 20 tonne metre capacity
<input checked="" type="checkbox"/> <b>CABPT-R2</b>	Twin outlets for roof mounted accessories.	<input type="checkbox"/> <b>CRANEPK4</b>	Crane plates mounted to frame, for cranes up to 40 tonne metre capacity
<input type="checkbox"/> <b>SPOTP-F</b>	Spotlamp preparation in front, max 280W	<input type="checkbox"/> <b>AUXL-SPK</b>	Electrical preparation kit - wiring and switch for snow plough lights
<input type="checkbox"/> <b>SPOTP-R</b>	Spotlamp preparation on roof, max 280W	<input type="checkbox"/> <b>TAILPRE2</b>	Tail lift preparation kit, wireless remote operation
<input type="checkbox"/> <b>SPOTP-RF</b>	Spotlamp preparation on cab roof and in cab front, max 2x280W	<input type="checkbox"/> <b>TAILPREP</b>	Taillift preparation kit - cab switch and warning in driver display
<input type="checkbox"/> <b>ROS-IL</b>	Globetrotter roof sign illuminated	<input type="checkbox"/> <b>AESW2</b>	Two Body builder bistable electrical switches (marked AUX1 / AUX2)
<input type="checkbox"/> <b>ROS-IL2</b>	Preparation kit for illuminated roof sign with switch loose in cab, fit after registration	<input type="checkbox"/> <b>AESW2PK</b>	2 Body builder bistable el.switches (marked AUX1/AUX2) and prep. for 4 more switches
<input type="checkbox"/> <b>ROS-ILP</b>	Roof sign illumination preparation kit	<input type="checkbox"/> <b>AUXSW-4</b>	Wiring for 4 extra switches (from Body builder electrical centre to switch positions)
<input type="checkbox"/> <b>CSGN-GTR</b>	"Globetrotter" headboard logo	<b>DELIVERY SERVICES</b>	
<input checked="" type="checkbox"/> <b>HORN-F1S</b>	Horn - Air single tone - chassis mounted	<input type="checkbox"/> <b>FMS-PK</b>	Fleet Management System gateway - required for aftermarket telematics
<input checked="" type="checkbox"/> <b>HORN-R2S</b>	Horn - Air - Two roof-mounted	<input type="checkbox"/> <b>DRUT1</b>	Driver utility app - "My Truck" - 1 year subscription For mobile phone, tablet, with android and IOS systems. Only available with Volvo Connect subscription
<input type="checkbox"/> <b>ANT-CBR</b>	Roof mounted antenna for CB radio, single aerial. Only Globetrotter cabs brings in extra DIN slots.	<input type="checkbox"/> <b>DRUT2</b>	Driver utility app - "My Truck" - 2 year subscription For mobile phone, tablet, with android and IOS systems. Only available with Volvo Connect subscription
<input type="checkbox"/> <b>ACCB-R-AP</b>	Front, middle & rear roof mounted accessory brackets	<input type="checkbox"/> <b>DRUT3</b>	Driver utility app - "My Truck" - 3 year subscription For mobile phone, tablet, with android and IOS systems. Only available with Volvo Connect subscription
<input type="checkbox"/> <b>ACCB-R-F</b>	Front roof mounted accessory bracket	<input type="checkbox"/> <b>DRUT4</b>	Driver utility app - "My Truck" - 4 year subscription For mobile phone, tablet, with android and IOS systems. Only available with Volvo Connect subscription
<input type="checkbox"/> <b>ACCB-R-FM</b>	Front & middle roof mounted accessory brackets	<input type="checkbox"/> <b>DRUT5</b>	Driver utility app - "My Truck" - 5 year subscription For mobile phone, tablet, with android and IOS systems. Only available with Volvo Connect subscription
<input type="checkbox"/> <b>ACCB-R-FR</b>	Front & rear roof mounted accessory brackets		
<input type="checkbox"/> <b>ACCB-R-M</b>	Middle roof mounted accessory bracket		
<input type="checkbox"/> <b>ACCB-R-R</b>	Rear roof mounted accessory bracket		
<input type="checkbox"/> <b>ACCB-RM</b>	Rear & middle roof mounted accessory brackets		
<input type="checkbox"/> <b>STUC-B</b>	Left and right storage compartments under cab		
<input type="checkbox"/> <b>STUC-L</b>	Left storage compartment under cab		
<input type="checkbox"/> <b>STUC-R</b>	Right storage compartment under cab		
<input type="checkbox"/> <b>REFS-TW</b>	White cab conspicuity markings by packed in cab		
<input type="checkbox"/> <b>REFS-TY</b>	Yellow cab conspicuity markings by packed in cab		

Standard Equipment

Optional Equipment

For more detailed information about cab and powertrain equipment, please refer to separate specification sheets.

For all possible options and combinations of options please consult your Volvo sales contact who can create a specification to match your requirements using the Volvo Sales Support system (VSS).

The factory reserves the right to modify design and change equipment without previous notification. The specification can vary from country to country.

# MODEL RANGE

NEW FH Battery Electric 8x4 Rigid Tag Tridem FH 84R TE

---

Volvo Trucks. Driving Progress