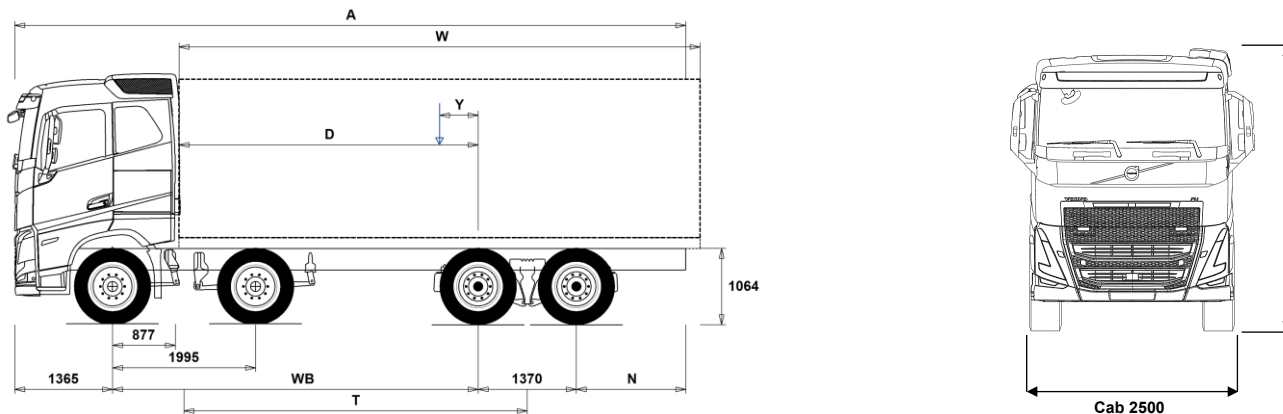


# MODEL RANGE

FH16 8x4 Rigid Air Suspension FH 84RF 6A



## Chassis Dimensions [mm]

WB Wheelbase	5100	5600
A Overall Chassis Length	10660	11410
D Center of rear axle to front of body	4173	4673
N Rear Overhang (Min.)	825	1225
N Rear Overhang (Max.)	2825	3075
T Theoretical Wheelbase	4788	5288
Y Center of Gravity for Payload (Min.)	323	448
Y Center of Gravity for Payload (Max.)	323	448
W Body Length (Min.)	7701	8451
W Body Length (Max.)	7701	8451

## Chassis Weights [kg]

Front Axles	7375	7325
Rear Bogie	2900	3015
Kerb Weight	10275	10340
Payload (including body, driver, fuel, etc.)	17225	17160

## Turning Diameter [mm]

Turning Circle Diameter Kerb to Kerb	20600	22200
Turning Circle Diameter Wall to Wall	22000	23600

## Plated Weights [kg]

	Plated	Design
Gross Vehicle Weight	27500	37000
Gross Combination Weight	40500	44000
Front Axles	11000	16000
Rear Bogie	16500	21000

## Important Notes

### Chassis Dimensions

Cab Height: +375 mm for CAB-HSLP, -203 mm for CAB-LSLP, +517 mm for CAB-XHSL.

D-measure includes a front clearance of 50 mm and for rigid trucks also a subframe of 100 mm.

Height can vary ± 20 mm for leaf and ± 10 mm for air suspension.

All dimensions are for unladen chassis and any tag axles down. Chassis height used: CHH-HIGH.

Rear overhang used for vehicle weight calculation is the maximum rear overhang (N Max.) for selected wheelbase.

Height change when chassis height CHH-MED,FRAME300: 0 mm.

Weight and dimensions are based upon the following tyres:

Front Axle Tyres: 315/80R22.5  
 Drive Axle Tyres: 315/80R22.5

**Chassis weight includes oil, water, AdBlue, 0 litres fuel and without driver. Kerb weight can vary ± 3%.**

Turning diameters are theoretically calculated.

Legal weights can differ from country to country.

For more detailed weight information, including optional equipment weights, ask your Volvo sales contact to enter your specification into the Volvo Weight Information system (WIS).

Do NOT use this drawing for bodybuilding. Refer to Volvo Bodybuilder Instructions and chassis assembly drawing FH84RF6A.

# MODEL RANGE

## FH16 8x4 Rigid Air Suspension FH 84RF 6A

### Truck use

- RC-ROUGH** Operating class on/off road
- RC-SMOOTH** Well Maintained Surfaced Roads >95% Driving Distance
- TIPP-PRE** Tipper preparation
- UNIFORM** Basic uniform vehicle

### Core components

- CHH-HIGH** Chassis Height High approx. 1025-1050mm (depending on tyre selection)
- CHH-MED** Approximate chassis height 900 mm
- CHH-XHIGH** Chassis Height Extra High approx. 1100-1162mm (depending on tyre selection)
- RADD-G2** Rear Air Suspension - High Clearance
- RADD-GR** Rear Air Suspension
- FH16HSL6** High Sleeper Cab
- FH16LSL6** Low Sleeper Cab
- FH16SLP6** Sleeper Cab
- FH16XHS6** Globetrotter XL Cab
- EU4SCR** Eu4 SCR (Selective Catalytic Reduction)
- EU5EEV** Eu5 SCR Enhanced Environmentally friendly Vehicle
- EU5SCR-M** Eu5 SCR Selective Catalytic Reduction ( mandatory )
- EU6SCR** Eu6 SCR (Particulate Filter & EGR) Single Stage Turbo
- D16C550** Volvo D16C 16 litre turbo charged diesel  
Power: 550 hp (405kW)  
Torque: 1843 lb.ft (2500Nm)
- D16C610** Volvo D16C 16 litre turbo charged diesel  
Power: 610 hp (449kW)  
Torque: 2065 lb.ft (2800Nm)
- D16E540** Volvo D16E 16 litre turbo charged diesel  
Power: 540hp (402kw)  
Torque: 1917lb.ft (2600nm)
- D16E600**
- D16E700**
- D16G540**
- D17A600** Eu6 17 litre Engine 600hp/3000nm/441kW
- D17A700** Eu6 17 litre Engine 700hp/3400nm/515kW
- EBR-EPG** Exhaust Pressure Governor
- EBR-EPGC** Engine Brake Compression EPG
- EBR-VEB+** Volvo Engine Brake + (VEB+)
- AT2812** Volvo I-shift 12 Speed Automatic Transmission (2800nm)
- ATO3112** Volvo I-shift Automatic Transmission with Overdrive (3150nm)
- ATO3512** Volvo I-shift Automatic Transmission with Overdrive (3550nm)
- ATO3812** Volvo I-shift Automatic Transmission with Overdrive (3800nm)
- ASO-C** Crawler Gears
- ASO-ULC** Ultra Low Crawler Gears
- TAAXLIFT** Tandem axle lift
- RTH2610B** Volvo RTH2610B hub reduction rear axles  
4 planet gears per hub  
Axle rating: 26,000 kg  
115 tonne train weight  
(Application approved)
- RTH2610F** Hub Reduction Tandem 26t GCW100t (version F)
- RTS2310A** Single Reduction Tandem 23t GCW100t
- RTS2370A** Rear single reduction tandem axles  
Axle rating: 23,000 kg  
Cross axle diff lock & power divider

### Packages

- 1LIVING** 1 bed resting package
- 1LIVING+** 1 bed resting package plus
- 2LIVING** 2 bed resting package
- 2LIVING+** 2 bed resting package plus
- INFOBASE** Standard Level Information Platform
- INFOHIGH** High Level Information Platform
- SAFEBAS**
- SAFEBAS2**
- SAFEPLU2**

- SAFEPLUS**
- OFFROADS** Construction package on Sleeper Cab
- CHASPAC** Chassis Package - Rigid

### Chassis

- FST-AIR** Air Bag Front Suspension
- FST-PAR** Parabolic leaf spring front suspension
- FST-PAR3** 3 Leaf Parabolic Front Springs (stiffer than normal)
- FSLB-BAS** Front Suspension Levelling Stroke - Standard
- FAL13.0** Front axle rating: 13,000 kg
- FAL16.0** Front axle load 16 tonnes
- FAL18.0** Front Axle Load 18 tonnes
- FAL20.0** Front Axle Load 20 tonnes
- FSTAB** Front stabilizer, normal stiffness
- FSTAB2** Front stabiliser bar increased stiffness
- FSTAB3** Heavy duty front stabiliser bar
- RAL21** Rear suspension load rating: 21,000 kg
- RAL23** Rear Axle Load 23 tonnes
- RAL26** Rear suspension load rating: 26,000 kg
- RSTAB1** Rear stabiliser bar
- RSTAB3** Heavy duty rear stabiliser bar
- RALIM105** Rear axle load limiter 10.5 tonnes (speed controlled)
- RALIM115** Rear axle load limiter 11.5 tonnes (speed controlled)
- RALIM13** Rear axle load limiter 13.0 tonnes
- RALIM15** Rear axle load limiter 15.0 tonnes
- RALIM95** Rear axle load limiter 9.5 tonnes
- ASF-DL1** Air susp. feature - 1 driving level
- ASF-DL3** Air susp. feature - 3 driving levels
- ACTST-TO** Volvo Dynamic Steering
- ASFE-BAS** Dynamic steering features - Standard
- ASFE-OG** Dynamic Steering Active Features - Oversteer Guidance
- ASFE-PO** Dynamic Steering Active Features - Personal Settings & Oversteer Guidance
- ASFE-PS** Dynamic Steering Active Features - Personal Settings
- PSS-DUAL** Dual power steering system
- PSS-SING** Single power steering system
- PSP-VAR** Power Steering Pump with Variable Displacement
- PSP-VAR2** Power Steering Pump with Electronic Control Variable Displacement
- EBS-MED** Electronic Brake System (EBS) contains  
ABS, Traction control, Hill start aid  
Diff lock control, Brake assist  
Wheel brake monitoring, EBS status
- EBS-STD** Electronic Brake System (EBS) contains  
ABS, Traction control, BCS
- AUXPARK** Auxiliary parking brake
- RST-AIR** Rear Air Suspension
- FST8080** Frame Section Thickness 8mm
- FIL-EEEB** Liner (inner) from end of engine to end of bogie
- FIL-EEEF** Liner (inner) from end of engine to end of frame
- FIL-FBEB** Liner (inner) - front of bogie to end of bogie
- FIL-FBEF** Liner (inner)- front of bogie to end of frame
- FIL-TXEB** Liner (inner) - trans x-mem to end of bogie
- FIL-TXEF** Liner (inner) - trans x-mem to end of frame
- 2BAT210B** Two Batteries 210 Ah Gel
- 2BAT210C** Two Batteries 210 Ah AGM
- 2BATT225** 2x225 Ah batteries
- BATTAMP** Battery Amperage Indicator (in the DID)
- BATTIND** Battery Charge Indicator (in the DID)
- ADR1** Standard ADR adaption - 1 switch
- ADR2** Standard ADR adaption - 2 switches
- MSWI-A** Main Switch ADR
- MSWI-C** Isolation Toggle Switch LHS of Chassis

Standard Equipment       Optional Equipment

For more detailed information about cab and powertrain equipment, please refer to separate specification sheets.

For all possible options and combinations of options please consult your Volvo sales contact who can create a specification to match your requirements using the Volvo Sales Support system (VSS).

The factory reserves the right to modify design and change equipment without previous notification. The specification can vary from country to country.

# MODEL RANGE

## FH16 8x4 Rigid Air Suspension FH 84RF 6A

■ <b>MSWI-R</b>	Isolation Switch on Key Fob (Press Door Lock Twice to Isolate)	□ <b>RFH-HIG</b>	Highest possible mudguard height
■ <b>UR-FUEL</b>	Without RHS Fuel Tank Min volume 255l Max volume 810l	□ <b>RFH-LOW</b>	Lowest possible mudguard height
■ <b>UL-FUEL</b>	LHS fuel tank not fitted Min volume 160l Max volume 450l	□ <b>ATANK-AL</b>	Aluminium airtanks
□ <b>ADTP-L</b>	AdBlue Tank Position - LHS	□ <b>TL-LED</b>	LED Tail Lights
■ <b>ADTP-R</b>	AdBlue Tank Position - RHS	■ <b>BLIGHT-E</b>	Emergency Brake Lights
□ <b>ADB032</b>	AdBlue Tank 32 litres	□ <b>FRACLOS</b>	With frame closing
□ <b>ADB048</b>	AdBlue Tank 48 litres	<b>Rims and Tyres</b>	
□ <b>ADB064</b>	AdBlue Tank 64 litres	□ <b>RT-AL</b>	10 Stud Alloy Disc Rims (with long wheel studs)
□ <b>ADTC-BF</b>	AdBlue Tank Cover - Bright Finish	□ <b>RT-AL1</b>	
■ <b>FCAP-L</b>	Fuel tank cap with lock	□ <b>RT-AL1DU</b>	
■ <b>FUFF-AS</b>	Fuel filling feature - anti spillage	□ <b>RT-ALDP</b>	10 Stud Dura-Bright Alloy Disc Rims (with long wheel studs)
□ <b>FUFF-ATS</b>	Fuel filling feature - anti theft & spillage	□ <b>RT-ALDPD</b>	10 Stud Dura-Bright Alloy Disc Rims (with short wheel studs)
□ <b>ESH-LEFT</b>	Muffler horizontal, left exhaust outlet	□ <b>RT-ALDU</b>	10 Stud Alloy Disc Rims (with short wheel studs)
■ <b>ESH-REAR</b>	Low Mounted Muffler with Low Rear Facing Outlet	□ <b>RT-ALP</b>	10 Stud Polished Alloy Disc Rims (with long wheel studs)
□ <b>ESH-RIGH</b>	Muffler horizontal, right exhaust outlet	□ <b>RT-ALPDU</b>	10 Stud Polished Alloy Disc Rims (with short wheel studs)
□ <b>ESH-VERT</b>	Muffler horizontal, vertical exhaust outlet on right hand side	■ <b>RT-STEEL</b>	10 Stud Steel Disc Rims
□ <b>ESV-VERT</b>	Single vertical exhaust/ vertical outlet	□ <b>WCAP</b>	Wheel caps
□ <b>EXST-SSP</b>	Stainless Steel Exhaust Stack	□ <b>SPWT-D</b>	Spare rim & tyre equal to drive
□ <b>WHC-FIX2</b>	Wheel chocks, qty 2 fixed	□ <b>SPWT-F</b>	Spare rim & tyre equal to steer
□ <b>WHC-FOL2</b>	Wheel chocks, qty 2 foldable	□ <b>SWCP-LF</b>	Spare Wheel Carrier Front of Drive Axle. LHS
□ <b>WHCP-F</b>	Wheel chocks position, front	□ <b>SWCP-T</b>	Spare wheel supplied temporarily strapped to chassis
□ <b>WHCP-R</b>	Wheel chocks position, rear	□ <b>SWCP-TP</b>	Transport mounted spare wheel on top of frame
□ <b>WHCP-T</b>	Wheel chocks, transport mounted	□ <b>JACK-12T</b>	12 tonne capacity jack with brace
□ <b>TB-L80</b>	Toolbox 800 mm, left side	□ <b>JACK-15T</b>	15 tonne capacity jack and brace
□ <b>TB-R80</b>	Toolbox 800 mm, right side	□ <b>JACK-20T</b>	Jack - 20 Tonnes
□ <b>SUP-BAS</b>	Side underrun protection - standard	■ <b>TOOL-BAS</b>	Basic tools
□ <b>SUP-LOW</b>	Side underrun protection - low	□ <b>TOOLKIT</b>	Tool kit complete
□ <b>CHAIN-S</b>	Snow chains	□ <b>INFLAHOS</b>	Tyre inflation hose (18 metres)
□ <b>HOOK-SC</b>	Hooks for snow chains	□ <b>GAUGE-TP</b>	Tire pressure gauge
■ <b>TOWF-NO1</b>	One Towing Device - Front	<b>Powertrain equipment</b>	
□ <b>TOWF-NO2</b>	Two Towing Devices - Front	■ <b>TRAP-HD</b>	Heavy Duty Transmission Internals
□ <b>TOWMBRH</b>	Tow member high mounting	■ <b>DRM-BE</b>	Drive Mode - Balanced & Economy
□ <b>TOWMBRL1</b>	Tow member low mounting position 1	□ <b>PVT-BAS</b>	Standard - by GPS positioning
□ <b>TOWMBRM</b>	Tow member medium mounting	□ <b>PVT-MAP</b>	Preview Topography Information (High Resolution Topography Map)
□ <b>C-RI4040</b>	Tow coupling Ringfeder 4040 G-150	□ <b>CRUIS-E</b>	Extended Cruise Control (Additional Fuel Saving Functions)
□ <b>C-RI4045</b>	Tow coupling Ringfeder 4045 G-150	■ <b>CRUIS-ES</b>	Cruise Control (I-Torque)
□ <b>C-RI5050</b>		□ <b>AMSO-AUT</b>	Manual gear shift in automatic mode.
□ <b>C-RO400G</b>	Tow coupling Rockinger 400 G150	□ <b>AVO-ENH</b>	AMT Vocational option - enhanced
□ <b>C-RO50</b>	Tow coupling Rockinger 50	□ <b>APF-ENH</b>	Enhanced I-shift PTO functions
□ <b>C-VBG520</b>		□ <b>RET-TH</b>	Retarder for manual gearbox Compact durable design with easy control
□ <b>C-VBG795</b>		□ <b>TC-MAOH2</b>	High performance transmission cooler
□ <b>TOWR-ONE</b>	Single tow device	■ <b>TC-MWO</b>	High performance transmission cooler
■ <b>TREL-PK</b>	Trailer connection prep	□ <b>TC-MWOH2</b>	High performance transmission cooler
□ <b>TREL14</b>	14 pin elec. trailer connection	□ <b>2COM1080</b>	High volume air compressor
□ <b>TREL15</b>	15 pin elec. trailer connection	□ <b>2COM1100</b>	Air Compressor - 1100 litres/minute
□ <b>TREL7</b>	7 pin elec. trailer connection (24N)	■ <b>2COMP900</b>	Air Compressor - 900 litres/minute
□ <b>TREL7-7</b>	2x7 pin elec. trailer connectors (24N & 24S)	□ <b>CLU-AIRC</b>	Clutchable air compressor
□ <b>TRBR-HCF</b>	Hand controlled trailer brake, full pressure	□ <b>AIRIN-FR</b>	Front air intake
□ <b>TRBR-HCR</b>	Hand controlled trailer brake, reduced pressure	■ <b>AIRIN-HI</b>	High air intake, roofline position
□ <b>TRBR-STA</b>	Stationary Trailer Brake Control	□ <b>AIRIN-LO</b>	Low air intake, rear of cab position
□ <b>TRB-STRE</b>	Automatic Trailer Brake Activation (Stretch Brake)	□ <b>ACL1ST-S</b>	Air cleaner with two stage filter element
□ <b>RUP-FOSL</b>	Rear underrun prot. - foldable sliding	□ <b>24A150BL</b>	Alternator - 150 Amp
□ <b>FFEND-B</b>	2nd steer mudguard- standard	■ <b>24A180BL</b>	Alternator - 180 Amp
□ <b>FFEND-T</b>	2nd steer mudguard- transport mounted	□ <b>24AL150B</b>	Alternator - 150 Amp (Eu5)
□ <b>RFEND-B</b>	Rear mudguards - standard	■ <b>PRIM-EL</b>	Pump Prime - Electrical
□ <b>RFEND-T</b>	Transport rear mudguards	□ <b>AF-E</b>	Auxiliary fuel filter, electrically heated

■ Standard Equipment      □ Optional Equipment

For more detailed information about cab and powertrain equipment, please refer to separate specification sheets.

For all possible options and combinations of options please consult your Volvo sales contact who can create a specification to match your requirements using the Volvo Sales Support system (VSS).

The factory reserves the right to modify design and change equipment without previous notification. The specification can vary from country to country.

# MODEL RANGE

## FH16 8x4 Rigid Air Suspension FH 84RF 6A

<input type="checkbox"/> <b>AF-R</b>	Recirculation heated fuel filter	<input checked="" type="checkbox"/> <b>CSPL-BXD</b>	Centre section dash panel pull out drawer
<input type="checkbox"/> <b>FUEFE2LW</b>	Dual fuel filter, engine mounted with water separator-large	<input type="checkbox"/> <b>ADFS</b>	2 Din Slots in Front Shelf
<input checked="" type="checkbox"/> <b>FUEFE2SW</b>	Dual fuel filter, engine mounted with water separator-small	<input type="checkbox"/> <b>BUPALARM</b>	Reverse alarm
<input type="checkbox"/> <b>EST-AID</b>	Engine starting aid	<input type="checkbox"/> <b>RTOLL-PK</b>	Road toll prep kit
<input type="checkbox"/> <b>220EBH15</b>	220V/1.5kw engine block heater	<input type="checkbox"/> <b>LOADIND</b>	Load indicator, electronic controlled suspension (SUSPL-EC)
<input type="checkbox"/> <b>PTER-100</b>	PTO Engine Rear Mounted with Flange DIN100/ISO7646	<input type="checkbox"/> <b>REMC-MF</b>	Multifunction Wireless Remote Control
<input type="checkbox"/> <b>PTER-DIN</b>	Power Take Off / splined shaft groove (female) DIN5462.	<input type="checkbox"/> <b>FIREX3FR</b>	Fire extinguisher, 3 kg, French decal
<input type="checkbox"/> <b>PTER1400</b>	Rear engine mounted power-take-off with flange SAE 1410	<input type="checkbox"/> <b>FIREXT2F</b>	Fire extinguisher, 2 kg, French decal
<input type="checkbox"/> <b>HPE-F101</b>	F1-101 Hydraulic pump rear engine mounted	<input type="checkbox"/> <b>FIREXT2G</b>	
<input type="checkbox"/> <b>HPE-F41</b>	F1-41 Hydraulic pump rear engine mounted	<input type="checkbox"/> <b>FIREXT3D</b>	Fire extinguisher, 3 kg, Danish decal
<input type="checkbox"/> <b>HPE-F51</b>	F1-51 Hydraulic pump rear engine mounted	<input type="checkbox"/> <b>FIREXT3F</b>	Fire extinguisher, 3 kg, Finnish decal
<input type="checkbox"/> <b>HPE-F61</b>	F1-61 Hydraulic pump rear engine mounted	<input type="checkbox"/> <b>FIREXT3N</b>	Fire extinguisher, 3 kg, Norwegian decal
<input type="checkbox"/> <b>HPE-F81</b>	F1-81 Hydraulic pump rear engine mounted	<input type="checkbox"/> <b>FIREXT3P</b>	Fire extinguisher, 3kg, Portuguese decal
<input type="checkbox"/> <b>HPE-T53</b>	F2-53/53 twin flow hyd pump rear engine mounted	<input type="checkbox"/> <b>FIREXT3R</b>	
<input type="checkbox"/> <b>HPE-T70</b>	F2-70/53 twin flow hyd pump rear engine mounted	<input type="checkbox"/> <b>FIREXT3S</b>	3kg fire extinguisher
<input type="checkbox"/> <b>HPE-V45</b>	V1-45 variable pump rear engine mounted	<input type="checkbox"/> <b>WARNVEST</b>	Warning vest
<input type="checkbox"/> <b>HPE-V75</b>	V1-75 variable pump rear engine mounted	<input checked="" type="checkbox"/> <b>WARNTRI2</b>	2 warning triangles
<input type="checkbox"/> <b>PTR-D</b>	Low speed PTO with DIN connection	<input type="checkbox"/> <b>AIDKIT</b>	First aid kit
<input type="checkbox"/> <b>PTR-DH</b>	High speed PTO with DIN connection	<input type="checkbox"/> <b>AIDKIT1B</b>	First aid kit-German market demands
<input type="checkbox"/> <b>PTR-DM</b>	Medium speed PTO with DIN connection	<input type="checkbox"/> <b>WARNLAMP</b>	Portable warning lamp
<input type="checkbox"/> <b>PTR-F</b>	PTO Flange Connection - 100% speed	<input type="checkbox"/> <b>LAMP-IN</b>	Inspection lamp
<input type="checkbox"/> <b>PTRD-D</b>	PTO with 2 DIN connections rear + 1 DIN connection front	<input type="checkbox"/> <b>BULBKIT</b>	Bulb and fuse kit
<input type="checkbox"/> <b>PTRD-F</b>	PTO with 1 DIN + 1 flange connection rear	<input checked="" type="checkbox"/> <b>WRITEPAD</b>	Storable steering wheel fit clip board
<input type="checkbox"/> <b>HPG-F101</b>	F1-101 hydraulic pump gearbox mounted	<input checked="" type="checkbox"/> <b>DST-CF1</b>	Driver seat comfort suspended
<input type="checkbox"/> <b>HPG-F41</b>	F1-41 hydraulic pump gearbox mounted	<input type="checkbox"/> <b>DST-CF4</b>	Fully adjustable driver's comfort seat Air suspension
<input type="checkbox"/> <b>HPG-F51</b>	F1-51 hydraulic pump gearbox mounted	<input type="checkbox"/> <b>DST-CF5</b>	Fully adjustable driver's comfort seat Air suspension, heated, integrated safety belt
<input type="checkbox"/> <b>HPG-F61</b>	F1-61 hydraulic pump gearbox mounted	<input type="checkbox"/> <b>DST-CF6</b>	Fully adjustable driver's comfort seat Air suspension, integrated safety belt
<input type="checkbox"/> <b>HPG-F81</b>	F1-81 hydraulic pump gearbox mounted	<input type="checkbox"/> <b>DST-LUX1</b>	Driver seat, lux, susp, belt, heat, vent
<input checked="" type="checkbox"/> <b>STWM-LE</b>	Steering wheel material - leather	<input type="checkbox"/> <b>DST-LUX2</b>	Driver seat, lux, susp, belt, heat
<input checked="" type="checkbox"/> <b>DRC-AMI1</b>	DPF Regeneration- Auto Initialise/Manual on Demand/Manual Inhibit	<input type="checkbox"/> <b>DST-STD2</b>	Driver seat standard, suspended
<input type="checkbox"/> <b>1DAYB</b>	1DAY-STD/SI-GRAF/basic setting	<input type="checkbox"/> <b>SBD-RED</b>	Red safety belts, pass. & driver seats
<input type="checkbox"/> <b>1DAYDIG</b>	1DAY-STD/SI-GRAF/digital	<input type="checkbox"/> <b>SBPRE-DS</b>	Drivers seat belt pretensioner
<input checked="" type="checkbox"/> <b>1DAYDIG4</b>		<input type="checkbox"/> <b>PST-BAS1</b>	Basic passenger's seat
<input type="checkbox"/> <b>ARSL</b>	Additional road speed limiter	<input type="checkbox"/> <b>PST-CF4</b>	Fully adjustable passengers comfort seat Air suspension, integrated safety belt
<input type="checkbox"/> <b>ESP-BAS1</b>	ESP Package (Tractor/Trailer Combinations with ABS/EBS Or Rigid with Standard COG)	<input type="checkbox"/> <b>PST-CF5</b>	Fully adjustable passenger comfort seat Air suspension, heated, safety belt
<input type="checkbox"/> <b>ESPC-RO</b>	ESP functionality control reduced/off	<input type="checkbox"/> <b>PST-RX1</b>	Passenger relax seat with swivel and tilt
<input type="checkbox"/> <b>HWSS-AC</b>	ACC & Forward Collision Warning	<input checked="" type="checkbox"/> <b>PST-STD2</b>	Passenger Seat Basic 2 Armrests
<input type="checkbox"/> <b>HWSS-ACB</b>	ACC & forward collision warning & emergency braking.	<input type="checkbox"/> <b>PST-STD4</b>	Passenger Seat Basic 2 Armrests Susp
<input checked="" type="checkbox"/> <b>HWSS-FCB</b>	Forward Collision Warning including Emergency Braking	<input type="checkbox"/> <b>SBPRE-PS</b>	Passenger seatbelt pretensioner
<input type="checkbox"/> <b>LSS-DW</b>	With lane departure system	<input checked="" type="checkbox"/> <b>ARMRE-BB</b>	Armrests both sides - driver's & passenger's seat
<input type="checkbox"/> <b>LSS-DW3</b>	Pilot Assist - Active Continuous Lane Keeping	<input type="checkbox"/> <b>ARMRE-DB</b>	Armrests both sides - driver's seat
<input type="checkbox"/> <b>LCS2</b>	Lane Change Support with Side Collision Avoidance (LHS)	<input type="checkbox"/> <b>ARMRE-PB</b>	Armrests both sides - passenger's seat
<input checked="" type="checkbox"/> <b>LCS4</b>		<input type="checkbox"/> <b>ARU-BAS</b>	Seat armrest upholstery - basic
<input checked="" type="checkbox"/> <b>DAS-W</b>	Driver alert support warning	<input checked="" type="checkbox"/> <b>ARU-LEA</b>	Seat armrest upholstery - leather
<input type="checkbox"/> <b>RSENS-W</b>	Rain sensor to activate wipers	<input type="checkbox"/> <b>GRABHI-B</b>	Instep Grab Handle - Standard
<input checked="" type="checkbox"/> <b>CU-ECC</b>	Climate controlled air conditioning	<input checked="" type="checkbox"/> <b>GRABHI-L</b>	Instep Grab Handle - Leather Bound
<input type="checkbox"/> <b>CU-ECC2</b>	Electronically Controlled Air Conditioning with Air Quality Sensor & Carbon Filter	<input type="checkbox"/> <b>FMAT-RUB</b>	Floor Mats - Rubber
<input type="checkbox"/> <b>CU-MCC</b>	Manual controlled air conditioning	<input checked="" type="checkbox"/> <b>FMAT-TX2</b>	Floor Mats - Textile & Rubber
<input checked="" type="checkbox"/> <b>IGT-BUT</b>	Ignition Type - Push Button	<input checked="" type="checkbox"/> <b>LBK80F</b>	Lower Bunk 815mm Wide
<input checked="" type="checkbox"/> <b>IMMOBIL</b>	Engine Immobiliser	<input type="checkbox"/> <b>LBK80FRE</b>	Lower Bunk 815mm Wide - Electrically Reclinable
<input type="checkbox"/> <b>ALARM-E</b>	Anti-theft alarm (cab & body/trailer)	<input type="checkbox"/> <b>LBK80FRM</b>	Lower Bunk 815mm Wide - Manually Reclinable
<input type="checkbox"/> <b>AUD-EXT</b>	Audio Extended	<input type="checkbox"/> <b>MATL-FI</b>	Spring Mattress Lower Bunk - Firm (100kg +)
<input type="checkbox"/> <b>ISUNS-BS</b>	Interior Side Sunvisor - Both Doors	<input checked="" type="checkbox"/> <b>MATL-FI4</b>	Foam Mattress Lower Bunk - Firm (100kg +)
<input checked="" type="checkbox"/> <b>ISUNS-DS</b>	Interior Side Sunvisor - Driver's Door	<input checked="" type="checkbox"/> <b>MATL-SF</b>	Mattress lower bunk - semi firm
<input type="checkbox"/> <b>ISUNF-RE</b>	Windscreen Interior Sunvisor - Electric	<input type="checkbox"/> <b>OLMAT-BA</b>	Mattress overlay - basic
<input checked="" type="checkbox"/> <b>ISUNF-RM</b>	Windscreen Interior Sunvisor - Manual	<input checked="" type="checkbox"/> <b>OLMAT-PR</b>	Mattress overlay - premium
<input type="checkbox"/> <b>CSPL-BX</b>	Centre section dash panel shelf		

Standard Equipment       Optional Equipment

For more detailed information about cab and powertrain equipment, please refer to separate specification sheets.

For all possible options and combinations of options please consult your Volvo sales contact who can create a specification to match your requirements using the Volvo Sales Support system (VSS).

The factory reserves the right to modify design and change equipment without previous notification. The specification can vary from country to country.

# MODEL RANGE

## FH16 8x4 Rigid Air Suspension FH 84RF 6A

- TBK60AD** Top bunk 600mm wide, foldable & height adjustable
- TBK60F** Top bunk 600mm wide, foldable
- TBK70AD** Top Bunk 700mm Wide - Foldable & Height Adjustable
- TBK70F** Top Bunk 700mm Wide - Foldable
- PH-CAB2** Cab parking heater 2kw
- PH-ENGCA** Cab and engine parking heater
- SLCP-BAS** Sleeper Control Panel - Standard
- SLCP-LUX** Sleeper control panel
- SAFE** Safe box at bed-end
- RUS-BAS** Rear Upper Cab Storage - 154 Litres for Sleeper/Globetrotter & 60 Litres for Day Cab
- RUS-HIG** Rear Upper Cab Storage - 245 Litres
- TABLE** Table
- REFR-RUS** 28 Litre Refrigerator in Upper Rear Storage
- REFRIG** 33 Litre Refrigerator Under Lower Bunk
- MICRO-PK** Preparation Kit for Microwave
- BOTH-D** Bottle Holder in Driving Area
- BOTH-DL** Bottle Holder in Driving & Resting Areas
- BOTH-L** Bottle Holder in Resting Area
- COFMA-PK** Coffee maker prep kit
- INLI-BAS** Interior night lights
- INLI-NL** Interior White & Red (night) Light
- INLI-NLD** Interior light including night light and dimmer function
- ARL-FLEX** Flexible Reading Lamp (Snake Light)
- RH-EE** Sky Window - Emergency Exit Roof Glass (tinted)
- RH-ER** Roof Hatch - Electric (Metal Emergency Exit)
- RH-ETR** Roof Hatch - Electric (Tinted Glass & Rear Opening)
- RH-MTR** Roof Hatch - Manual (Tinted Glass & Rear Opening)
- GLAS-UNT** Clear window glass
- SWIND-BS** Cab side window-both sides
- VANMIR** Vanity Mirror
- AS-FUS** Auxiliary Shelf - Front Upper Storage
- INFOT-PK** LCD screen mount - 6kgs max

### Cab exterior

- EXTL-BAS** Standard exterior trim level
- EXTL-EN3** Enhanced Exterior Trim Level 3
- DGLAS-H** Hardened Door Glass
- DGLAS-L** Laminated Door Glass
- BUMP-B** Bumper - Plastic
- BUMP-B2** Bumper - Steel
- BUMP-HD** Bumper - Heavy Duty
- BUMP-SP** Bumper spoiler
- AUXFS** Auxiliary Folding Side Step
- GUARD-EH** Guard plate for cooling pipes and oil sump
- BUGNET** Insect Net in Front of Radiator
- CTILT-P-E** Electrical cab tilt pump
- CTILT-P-M** Manual cab tilt pump
- FCABS-A** Front Cab Suspension - Air Bellows
- FCABS-M** Front Cab Suspension - Mechanical Spring
- RCABS-A** Rear Cab Suspension - Air Bellows
- RCABS-M** Rear Cab Suspension - Mechanical Spring
- HCC-EXT** Front hatch catch control-electric
- HCC-INEX** Front hatch catch control-manual
- MIRCFCPS** Electrically Heated & Operated Convex Glass Mirrors with Front Monitoring Camera on Passenger Side
- MIRCMCP** Camera Monitor System & Blind Spot Camera - Without Exterior Mirrors

- MIRCMS** Camera Monitor System - Without Exterior Mirrors
- MIRCOMF** Electrically heated and operated exterior mirrors with wide angle mirrors on both sides and close view mirror on passenger side.
- AMIR-F20** Close view mirror
- SUNV-H** Exterior Sunvisor
- AD-ROOF** Aero-dynamic roof mounted deflector
- AD-SIDES** Aero-dynamic cab side deflectors
- HL-BASIC** Standard head lamps
- HL-LED** LED Headlights
- HL-LED3** LED Headlights with Adaptive High Beam
- HL-CLEAN** Head lamp cleaning system
- HLP-ST** Headlight Protection - Steel
- HL-ADJ** Headlight Adjustment - Manual
- DRL-LED** V-shaped LED Daytime Running Light
- DRIVL2** Integrated driving lamps
- UDRIVL** Without Integrated Driving Lights
- FOGL-WC** Integrated fog lamps
- CL-STAT** Corner light-static
- ASL-RF2** Spotlights Inside Globetrotter Sign Box
- IDLAMP-A** Identification Lamps - Amber
- IDLAMP-W** Identification Lamps - white
- IDLMPSW** Switch in cab for identification lamps
- BEACOA2F** 2 amber rotating lights- front of roof
- BEACOA2R** 2 amber rotating lights- rear of roof
- BEACON-P** Beacon Light Wire Preparation
- BEACONA4** 4 amber rotating lights
- CABPT-R1** 1 cab roof pass through on driver's side
- CABPT-R2** 2 cab roof pass throughs, 1 on each side
- SPOTP-F** Aux spotlamp preparation, 280W maximum
- SPOTP-R** Spot light preparation on roof, max 280W
- SPOTP-RF** Spot light preparation in front and on roof, max 280W
- ROS-IL** Illuminated roof sign
- ROS-IL2**
- ROS-ILP** Illuminated Cab Sign Prep Kit
- CSGN-ENG** Cab sign - Globetrotter
- CSGN-GTR** Globetrotter decal
- HORN-F1S** Single Electric Jericho Air Horn (Behind Grill)
- HORN-R2S** Chromed air horns, two roof mounted
- ANT-CBR** Antenna for CB Radio (Single Antenna)
- ACCBP-AP** Accessory bracket-forward, mid & rearward roof mounted
- ACCBP-F** Accessory bracket-forward roof mounted
- ACCBP-FM** Accessory bracket-forward & mid roof mounted
- ACCBP-FR** Accessory bracket-forward & rearward roof mounted
- ACCBP-M** Accessory bracket-mid roof mounted
- ACCBP-R** Accessory bracket-rearward roof mounted
- ACCBP-RM** Accessory bracket-rearward & mid roof mounted
- STUC-B** Storage Compartment Under Cab - Both Sides
- STUC-L** Storage Compartment Under Cab - LHS
- STUC-R** Storage Compartment Under Cab - RHS
- REFS-TW** Reflecting stripes transport mounted on cab - white
- REFS-TY** Reflecting stripes transport mounted on cab - yellow

### Superstructure

- SRWL-2RW** 2 Rear Chassis Mounted Working Lamps - White
- SRWL-PK** Wiring Prep for Chassis Mounted Reverse/Working Lamps - 3 Position Switch
- SWL-2FW** 2 Side Working Lamps - White (Forward Facing)
- SWL-2RW** 2 Side Working Lamps - White (Rearward Facing)
- SWL-4W** 4 Side Working Lamps - White

Standard Equipment       Optional Equipment

For more detailed information about cab and powertrain equipment, please refer to separate specification sheets.

For all possible options and combinations of options please consult your Volvo sales contact who can create a specification to match your requirements using the Volvo Sales Support system (VSS).

The factory reserves the right to modify design and change equipment without previous notification. The specification can vary from country to country.



# MODEL RANGE

## FH16 8x4 Rigid Air Suspension FH 84RF 6A

- **SWL-PK** Wiring Prep for Chassis Mounted Working Lamps - 2 Position Switch
- **WL-CHPK** Chassis Mounted Working Light Prep Kit
- **WLC-H2W** 2 LED work lamps - High Mounted with White Lens.
- **WLC-PKH** Prep Kit for High Mounted Work Lamps
- **WLC-PKL** Prep Kit for Low Mounted Work Lamps
- **WLC-PKLH** Prep Kit for Low and High Mounted Work Lamps
- **ECBB-BAS** B/B Elect. Centre without B/B Module
- **ECBB-HIG** Body Builder Module - Cab Module (14 High/4 Low)
- **ECBB-MED** Body Builder Module - Cab Module (7 High/4 Low)
- **BBCHAS1** Body Builder Chassis Electrical Interface - 1 x 7 Pin Connector
- **BBCHAS3** Body Builder Chassis Electrical Interface - 3 x 7 Pin Connectors
- **BEPR-T2** Body Builder electrical prep. for tipper with remote control
- **EXSTER** External Steering via Body Builder's Module
- **TD-LED** LED trailer detection sensor
- **FRFS-BS** Frame Rail Free Space - Both Sides
- **FBA-BTF** Front body attachment- flexible
- **FBA-BTSF** Front body attachment-semi flexible
- **HBA-FSFB** Holes for Body Attachments, Flexible & Semi Flexible
- **HBA-SB** Holes for Body Attachments
- **RBA-T2** Rear body attachment type 2-divided
- **CRANEPK1** Crane interface for capacity up to 10t
- **CRANEPK2** Crane interface for capacity up to 20t
- **CRANEPK4** Crane interface for capacity up to 40t
- **AUXL-SPK** Aux. lamps snow ploug prep kit
- **TAILPRE2** Taillift preparation kit for wireless remote
- **TAILPREP** Taillift preparation kit
- **AESW2** 2 Flexible Switches (AUX1 and AUX2).
- **AESW2PK** 2 Flexible Switches (AUX1 & AUX2) + Additional 4 Flexible Switches
- **AUXSW-4** Wiring Prep. for 4 Extra Bodybuilder Switches (switches not included)

### Delivery services

- **TGW-4GWL** Telematics Gateway with 4G/LTE & WLAN
- **TGW-PK** Telematics gateway prep kit
- **FMS-PK** Fleet management system gateway
- **DRUT1** "My Truck" Smartphone App. 1 Year Prepaid
- **DRUT2** "My Truck" Smartphone App. 2 Year Prepaid
- **DRUT3** "My Truck" Smartphone App. 3 Year Prepaid
- **DRUT4** "My Truck" Smartphone App. 4 Year Prepaid
- **DRUT5** "My Truck" Smartphone App. 5 Year Prepaid
- **TSRS** Traffic Sign Recognition System (ISA Compliant)
- **TSRS2** Traffic Sign Recognition System