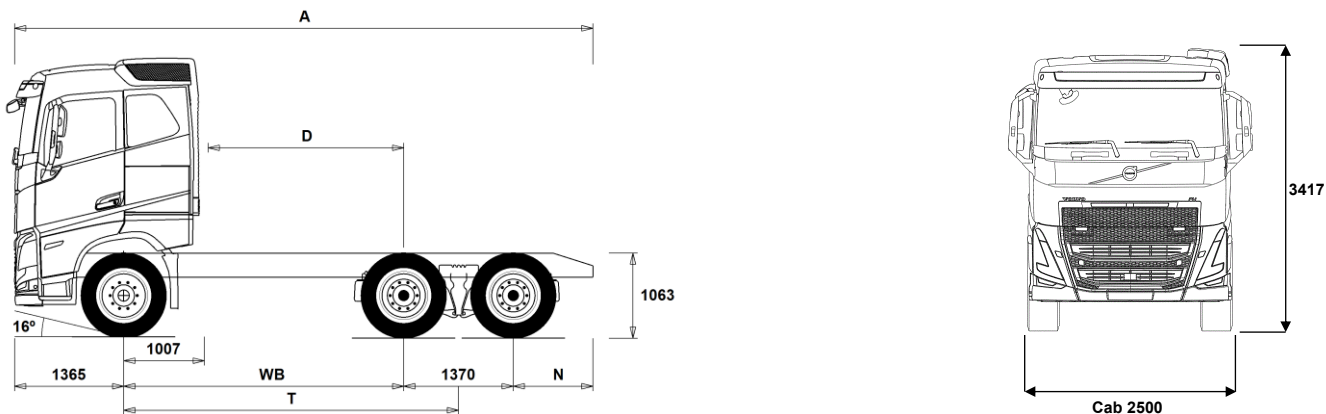


MODEL RANGE

FH16 6x4 Tractor Air Suspension (Europe Built) FH 64T 6A



Chassis Dimensions [mm]

WB Wheelbase	3000	3100	3200
A Overall Chassis Length	6730	6830	6930
D Center of rear axle to back of cab	1943	2043	2143
N Rear Overhang (Min.)	805	805	805
N Rear Overhang (Max.)	995	995	995
T Theoretical Wheelbase	3685	3785	3885

Chassis Weights [kg]

Front Axle	5050	5060	5075
Rear Bogie	4135	4125	4120
Kerb Weight	9185	9185	9195

Turning Diameter [mm]

Turning Circle Diameter Kerb to Kerb	13300	13600	13900
Turning Circle Diameter Wall to Wall	14700	15000	15300

Plated Weights [kg]

	Plated	Design
Gross Vehicle Weight	23000	28100
Gross Combination Weight	42500	44000
Front Axle	6500	7100
Rear Bogie	16500	21000

Important Notes

Chassis Dimensions

Cab Height: +375 mm for CAB-HSLP, -203 mm for CAB-LSLP, +532 mm for CAB-XHES, +517 mm for CAB-XHSL.

Front Axle to Back of Cab: +607 mm for CAB-XHES.

D-measure includes a front clearance of 50 mm and for rigid trucks also a subframe of 100 mm.

Height can vary ± 20 mm for leaf and ± 10 mm for air suspension.

All dimensions are for unladen chassis and any tag axles down. Chassis height used: CHH-HIGH.

Height change when chassis height CHH-MED,FRAME300: 0 mm.

Weight and dimensions are based upon the following tyres:

Front Axle Tyres: 315/80R22.5

Drive Axle Tyres: 315/80R22.5

Chassis weight includes oil, water, AdBlue, 0 litres fuel and without driver. Kerb weight can vary ± 3%.

Turning diameters are theoretically calculated.

Legal weights can differ from country to country.

For more detailed weight information, including optional equipment weights, ask your Volvo sales contact to enter your specification into the Volvo Weight Information system (WIS).

Do NOT use this drawing for bodybuilding. Refer to Volvo Bodybuilder Instructions and chassis assembly drawing FH64T6A.

MODEL RANGE

FH16 6x4 Tractor Air Suspension (Europe Built) FH 64T 6A

Truck use

- RC-ROUGH** Operating class on/off road
- RC-SMOOTH** Well Maintained Surfaced Roads >95% Driving Distance

Core components

- CHH-HIGH** Chassis Height High approx. 1025-1050mm (depending on tyre selection)
- CHH-MED** Approximate chassis height 900 mm
- CHH-XHIGH** Chassis Height Extra High approx. 1100-1162mm (depending on tyre selection)
- RADD-G2** Rear Air Suspension - High Clearance
- RADD-GR** Rear Air Suspension
- FH16AHSL** AERO - High Sleeper Cab
- FH16ALSL** AERO - Low Sleeper Cab
- FH16ASLP** AERO - Sleeper Cab
- FH16AXHE** AERO - Globetrotter XXL Cab
- FH16AXHS** AERO - Globetrotter XL Cab
- FH16HSL6** High Sleeper Cab
- FH16LSL6** Low Sleeper Cab
- FH16SLP6** Sleeper Cab
- FH16XHE6** Globetrotter XXL Cab
- FH16XHS6** Globetrotter XL Cab
- EU4SCR** Eu4 SCR (Selective Catalytic Reduction)
- EU5EEV** Eu5 SCR Enhanced Environmentally friendly Vehicle
- EU5SCR-M** Eu5 SCR Selective Catalytic Reduction (mandatory)
- EU6SCR** Eu6 SCR (Particulate Filter & EGR) Single Stage Turbo
- D16C550** Volvo D16C 16 litre turbo charged diesel
Power: 550 hp (405kW)
Torque: 1843 lb.ft (2500Nm)
- D16C610** Volvo D16C 16 litre turbo charged diesel
Power: 610 hp (449kW)
Torque: 2065 lb.ft (2800Nm)
- D16E540** Volvo D16E 16 litre turbo charged diesel
Power: 540hp (402kw)
Torque: 1917lb.ft (2600nm)
- D16E600**
- D16E700**
- D16G540**
- D16G600** Eu5 SCR engine, 16 litre, 600 hp, 2800 Nm
- D16G700** Eu5 SCR engine, 16 litre, 700 hp, 3150 Nm
- D16G750** Eu5 16 litre Engine 750hp/3550nm/551kW
- D17A600** Eu6 17 litre Engine 600hp/3000nm/441kW
- D17A700** Eu6 17 litre Engine 700hp/3400nm/515kW
- D17A780** Eu6 17 litre Engine 780hp/3800nm/574kW
- EBR-EPG** Exhaust Pressure Governor
- EBR-EPG+** Engine Brake Compression EPG
- EBR-VEB+** Volvo Engine Brake + (VEB+)
- AT2812** Volvo I-shift 12 Speed Automatic Transmission (2800nm)
- ATO3112** Volvo I-shift Automatic Transmission with Overdrive (3150nm)
- ATO3512** Volvo I-shift Automatic Transmission with Overdrive (3550nm)
- ATO3812** Volvo I-shift Automatic Transmission with Overdrive (3800nm)
- ASO-C** Crawler Gears
- ASO-ULC** Ultra Low Crawler Gears
- RVC1** Australian Road Friendly Certification
- TAAXLIFT** Tandem axle lift
- RTH2610B** Volvo RTH2610B hub reduction rear axles
4 planet gears per hub
Axle rating: 26,000 kg
115 tonne train weight
(Application approved)
- RTH2610F** Hub Reduction Tandem 26t GCW100t (version F)
- RTS2310A** Single Reduction Tandem 23t GCW100t
- RTS2370A** Rear single reduction tandem axles
Axle rating: 23,000 kg
Cross axle diff lock & power divider
- RTS2370B** Single Reduction Tandem 23t GCW70t

Packages

- AIRFLOW** Airflow package

Standard Equipment Optional Equipment

For more detailed information about cab and powertrain equipment, please refer to separate specification sheets.

For all possible options and combinations of options please consult your Volvo sales contact who can create a specification to match your requirements using the Volvo Sales Support system (VSS).

The factory reserves the right to modify design and change equipment without previous notification. The specification can vary from country to country.

- 1LIVIN++** 1 bed resting package Artic
- 1LIVING** 1 bed resting package
- 1LIVING+** 1 bed resting package plus
- 2LIVIN++** 2 bed resting package plus plus
- 2LIVING** 2 bed resting package
- 2LIVING+** 2 bed resting package plus
- INFOBASE** Standard Level Information Platform
- INFOHIGH** High Level Information Platform
- SAFEBAS**
- SAFEBAS2**
- SAFEPLU2**
- SAFEPLUS**
- COOLCM22** Energy Optimisation Package Plus Plus
- OFFROADS** Construction package on Sleeper Cab
- Chassis**
- FST-AIR** Air Bag Front Suspension
- FST-PAR** Parabolic leaf spring front suspension
- FST-PAR3** 3 Leaf Parabolic Front Springs (stiffer than normal)
- FSL5-BAS** Front Suspension Levelling Stroke - Standard
- FSL5-HI** Front Suspension Levelling Stroke - High
- FAL10.0** Front Axle Load 10 tonnes
- FAL7.1** Front axle load 7.1 tonnes
- FAL7.5** Front Axle Load 7.5 tonnes
- FAL8.0** Front axle load 8.0 tonnes
- FAL8.5** Front Axle Load 8.5 tonnes
- FAL9.0** Front axle load 9.0 tonnes
- FSTAB** Front stabilizer, normal stiffness
- FSTAB2** Front stabiliser bar increased stiffness
- FSTAB3** Heavy duty front stabiliser bar
- RAL21** Rear suspension load rating: 21,000 kg
- RAL23** Rear Axle Load 23 tonnes
- RAL26** Rear suspension load rating: 26,000 kg
- RSTAB1** Rear stabiliser bar
- RSTAB3** Heavy duty rear stabiliser bar
- RALIM105** Rear axle load limiter 10.5 tonnes (speed controlled)
- RALIM115** Rear axle load limiter 11.5 tonnes (speed controlled)
- RALIM13** Rear axle load limiter 13.0 tonnes
- RALIM15** Rear axle load limiter 15.0 tonnes
- RALIM95** Rear axle load limiter 9.5 tonnes
- ASF-DL1** Air susp. feature - 1 driving level
- ASF-DL3** Air susp. feature - 3 driving levels
- ACTST-TO** Volvo Dynamic Steering
- ASFE-BAS** Dynamic steering features - Standard
- ASFE-OG** Dynamic Steering Active Features - Oversteer Guidance
- ASFE-PO** Dynamic Steering Active Features - Personal Settings & Oversteer Guidance
- ASFE-PS** Dynamic Steering Active Features - Personal Settings
- PSP-FIX** Power Steering Pump with Fixed Displacement
- PSP-VAR** Power Steering Pump with Variable Displacement
- PSP-VAR2** Power Steering Pump with Electronic Control Variable Displacement
- EBS-MED** Electronic Brake System (EBS) contains
ABS, Traction control, Hill start aid
Diff lock control, Brake assist
Wheel brake monitoring, EBS status
- EBS-STD** Electronic Brake System (EBS) contains
ABS, Traction control, BCS
- AUXPARK** Auxiliary parking brake
- TRCO-12V** 24v to 12v trailer lighting voltage converter
- TABS-12** 24v to 12v trailer ABS voltage converter
- RST-AIR** Rear Air Suspension
- FRAME300** Frame rail height 300mm

MODEL RANGE

FH16 6x4 Tractor Air Suspension (Europe Built) FH 64T 6A

<input type="checkbox"/> FST7070	Frame Section Thickness 7mm	<input type="checkbox"/> TOWF-NO2	Two Towing Devices - Front
<input checked="" type="checkbox"/> FST8080	Frame Section Thickness 8mm	<input type="checkbox"/> TOWR-ONE	Single tow device
<input type="checkbox"/> FIL-EEEB	Liner (inner) from end of engine to end of bogie	<input type="checkbox"/> TREL15	15 pin elec. trailer connection
<input type="checkbox"/> FIL-TXEB	Liner (inner) - trans x-mem to end of bogie	<input type="checkbox"/> TREL7	7 pin elec. trailer connection (24N)
<input type="checkbox"/> BBOX-EF	Battery Box - End of Frame	<input checked="" type="checkbox"/> TREL7-7	2x7 pin elec. trailer connectors (24N & 24S)
<input checked="" type="checkbox"/> BBOX-L	Battery box mounted on LHS chassis rail	<input type="checkbox"/> TBC-AUS	Trailer Brake Connections - Suzi Coils
<input type="checkbox"/> BATS-D	Battery system - dual	<input type="checkbox"/> TRBR-HCF	Hand controlled trailer brake, full pressure
<input checked="" type="checkbox"/> BATS-S	Battery system - single	<input type="checkbox"/> TRBR-HCR	Hand controlled trailer brake, reduced pressure
<input type="checkbox"/> 2BAT210B	Two Batteries 210 Ah Gel	<input checked="" type="checkbox"/> TRBR-STA	Stationary Trailer Brake Control
<input checked="" type="checkbox"/> 2BAT210C	Two Batteries 210 Ah AGM	<input type="checkbox"/> TRB-STRE	Automatic Trailer Brake Activation (Stretch Brake)
<input type="checkbox"/> 2BATT225	2x225 Ah batteries	<input checked="" type="checkbox"/> RFEND-B	Rear mudguards - standard
<input checked="" type="checkbox"/> BATTAMP	Battery Amperage Indicator (in the DID)	<input type="checkbox"/> RFEND-H2	Truckmate plastic mudguards
<input type="checkbox"/> BATTIND	Battery Charge Indicator (in the DID)	<input type="checkbox"/> RFH-HIG	Highest possible mudguard height
<input type="checkbox"/> ADR1	Standard ADR adaption - 1 switch	<input type="checkbox"/> RFH-LOW	Lowest possible mudguard height
<input type="checkbox"/> ADR2	Standard ADR adaption - 2 switches	<input type="checkbox"/> ATANK-AL	Aluminium airtanks
<input type="checkbox"/> MSWI-A	Main Switch ADR	<input checked="" type="checkbox"/> TL-LED	LED Tail Lights
<input type="checkbox"/> MSWI-C	Isolation Toggle Switch LHS of Chassis	<input checked="" type="checkbox"/> BLIGHT-E	Emergency Brake Lights
<input checked="" type="checkbox"/> MSWI-R	Isolation Switch on Key Fob (Press Door Lock Twice to Isolate)	<input type="checkbox"/> FRACLOS	With frame closing
<input checked="" type="checkbox"/> R330A71	Right aluminium 710 mm D-shaped fuel tank, 330 litres volume. Usable volume is 97% of stated volume. Min volume 150l Max volume 810l	Rims and Tyres	
<input checked="" type="checkbox"/> UL-FUEL	LHS fuel tank not fitted Min volume 160l Max volume 730l	<input type="checkbox"/> RT-AL	10 Stud Alloy Disc Rims (with long wheel studs)
<input type="checkbox"/> ADTP-BC	AdBlue Tank Position - RHS behind cab	<input type="checkbox"/> RT-AL1	
<input type="checkbox"/> ADTP-L	AdBlue Tank Position - LHS	<input type="checkbox"/> RT-AL1DU	
<input type="checkbox"/> ADTP-M	AdBlue Tank Position - Underbelly	<input type="checkbox"/> RT-ALDP	10 Stud Dura-Bright Alloy Disc Rims (with long wheel studs)
<input checked="" type="checkbox"/> ADTP-R	AdBlue Tank Position - RHS	<input type="checkbox"/> RT-ALDPD	10 Stud Dura-Bright Alloy Disc Rims (with short wheel studs)
<input type="checkbox"/> ADB048	AdBlue Tank 48 litres	<input type="checkbox"/> RT-ALDU	10 Stud Alloy Disc Rims (with short wheel studs)
<input checked="" type="checkbox"/> ADB064	AdBlue Tank 64 litres	<input type="checkbox"/> RT-ALP	10 Stud Polished Alloy Disc Rims (with long wheel studs)
<input type="checkbox"/> ADB065	AdBlue Tank 65 litres (RHS Behind Cab)	<input type="checkbox"/> RT-ALPDU	10 Stud Polished Alloy Disc Rims (with short wheel studs)
<input type="checkbox"/> ADB068	AdBlue Tank 68 litres	<input checked="" type="checkbox"/> RT-STEEL	10 Stud Steel Disc Rims
<input type="checkbox"/> ADB083	AdBlue Tank 83 Litres	<input type="checkbox"/> WCAP	Wheel caps
<input type="checkbox"/> ADB090	AdBlue Tank 90 litres	<input type="checkbox"/> SPWT-D	Spare rim & tyre equal to drive
<input type="checkbox"/> ADB099	AdBlue Tank 99 Litres	<input type="checkbox"/> SPWT-F	Spare rim & tyre equal to steer
<input type="checkbox"/> ADB100	AdBlue Tank 100 litres	<input type="checkbox"/> SWCP-LF	Spare Wheel Carrier Front of Drive Axle. LHS
<input type="checkbox"/> ADB112	AdBlue Tank 112 Litres	<input type="checkbox"/> SWCP-T	Spare wheel supplied temporarily strapped to chassis
<input type="checkbox"/> ADB150	AdBlue Tank 150 litres (Underbelly)	<input type="checkbox"/> SWCP-TP	Transport mounted spare wheel on top of frame
<input type="checkbox"/> ADTC-BF	AdBlue Tank Cover - Bright Finish	<input type="checkbox"/> JACK-12T	12 tonne capacity jack with brace
<input checked="" type="checkbox"/> FCAP-L	Fuel tank cap with lock	<input type="checkbox"/> JACK-15T	15 tonne capacity jack and brace
<input checked="" type="checkbox"/> FUFF-AS	Fuel filling feature - anti spillage	<input type="checkbox"/> JACK-20T	Jack - 20 Tonnes
<input type="checkbox"/> FUFF-ATS	Fuel filling feature - anti theft & spillage	<input checked="" type="checkbox"/> TOOL-BAS	Basic tools
<input type="checkbox"/> ESH-LEFT	Muffler horizontal, left exhaust outlet	<input type="checkbox"/> TOOLKIT	Tool kit complete
<input checked="" type="checkbox"/> ESH-REAR	Low Mounted Muffler with Low Rear Facing Outlet	<input type="checkbox"/> INFLAHOS	Tyre inflation hose (18 metres)
<input type="checkbox"/> ESH-RIGH	Muffler horizontal, right exhaust outlet	<input type="checkbox"/> GAUGE-TP	Tire pressure gauge
<input type="checkbox"/> ESH-VERT	Muffler horizontal, vertical exhaust outlet on right hand side	Powertrain equipment	
<input type="checkbox"/> ESV-VERT	Single vertical exhaust/ vertical outlet	<input checked="" type="checkbox"/> TRAP-HD	Heavy Duty Transmission Internals
<input type="checkbox"/> EXST-SSP	Stainless Steel Exhaust Stack	<input checked="" type="checkbox"/> DRM-BE	Drive Mode - Balanced & Economy
<input type="checkbox"/> WHC-FIX2	Wheel chocks, qty 2 fixed	<input type="checkbox"/> DRM-E	Drive Mode - Economy
<input type="checkbox"/> WHC-FOL2	Wheel chocks, qty 2 foldable	<input type="checkbox"/> PVT-BAS	Standard - by GPS positioning
<input type="checkbox"/> WHCP-F	Wheel chocks position, front	<input type="checkbox"/> PVT-MAP	Preview Topography Information (High Resolution Topography Map)
<input type="checkbox"/> WHCP-M	Wheel chocks position, middle	<input type="checkbox"/> CRUIS-E	Extended Cruise Control (Additional Fuel Saving Functions)
<input type="checkbox"/> WHCP-T	Wheel chocks, transport mounted	<input checked="" type="checkbox"/> CRUIS-E5	Cruise Control (I-Torque)
<input type="checkbox"/> TB-L80	Toolbox 800 mm, left side	<input type="checkbox"/> AMSO-AUT	Manual gear shift in automatic mode.
<input type="checkbox"/> TB-R80	Toolbox 800 mm, right side	<input type="checkbox"/> AVO-ENH	AMT Vocational option - enhanced
<input type="checkbox"/> SUP-BAS	Side underrun protection - standard	<input type="checkbox"/> APF-ENH	Enhanced I-shift PTO functions
<input type="checkbox"/> SUP-LOW	Side underrun protection - low	<input type="checkbox"/> RET-TH	Retarder for manual gearbox Compact durable design with easy control
<input type="checkbox"/> CHAIN-S	Snow chains	<input type="checkbox"/> TC-MAOH2	High performance transmission cooler
<input type="checkbox"/> HOOK-SC	Hooks for snow chains	<input checked="" type="checkbox"/> TC-MWO	High performance transmission cooler
<input checked="" type="checkbox"/> TOWF-NO1	One Towing Device - Front	<input type="checkbox"/> TC-MWOH2	High performance transmission cooler

Standard Equipment Optional Equipment

For more detailed information about cab and powertrain equipment, please refer to separate specification sheets.

For all possible options and combinations of options please consult your Volvo sales contact who can create a specification to match your requirements using the Volvo Sales Support system (VSS).

The factory reserves the right to modify design and change equipment without previous notification. The specification can vary from country to country.

MODEL RANGE

FH16 6x4 Tractor Air Suspension (Europe Built) FH 64T 6A

<input type="checkbox"/> 2COM1080	High volume air compressor	<input checked="" type="checkbox"/> LCS4	
<input type="checkbox"/> 2COM1100	Air Compressor - 1100 litres/minute	<input checked="" type="checkbox"/> DAS-W	Driver alert support warning
<input checked="" type="checkbox"/> 2COMP900	Air Compressor - 900 litres/minute	<input type="checkbox"/> RSENS-W	Rain sensor to activate wipers
<input type="checkbox"/> CLU-AIRC	Clutchable air compressor	<input checked="" type="checkbox"/> CU-ECC	Climate controlled air conditioning
<input type="checkbox"/> AIRIN-FR	Front air intake	<input type="checkbox"/> CU-ECC2	Electronically Controlled Air Conditioning with Air Quality Sensor & Carbon Filter
<input checked="" type="checkbox"/> AIRIN-HI	High air intake, roofline position	<input type="checkbox"/> CU-MCC	Manual controlled air conditioning
<input type="checkbox"/> AIRIN-LO	Low air intake, rear of cab position	<input checked="" type="checkbox"/> IGT-BUT	Ignition Type - Push Button
<input type="checkbox"/> ACL1ST-S	Air cleaner with two stage filter element	<input checked="" type="checkbox"/> IMMOBIL	Engine Immobiliser
<input type="checkbox"/> 24A150BL	Alternator - 150 Amp	<input type="checkbox"/> ALARM-E	Anti-theft alarm (cab & body/trailer)
<input checked="" type="checkbox"/> 24A180BL	Alternator - 180 Amp	<input type="checkbox"/> AUD-EXT	Audio Extended
<input type="checkbox"/> 24AL150B	Alternator - 150 Amp (Eu5)	<input type="checkbox"/> ISUNS-BS	Interior Side Sunvisor - Both Doors
<input checked="" type="checkbox"/> PRIM-EL	Pump Prime - Electrical	<input checked="" type="checkbox"/> ISUNS-DS	Interior Side Sunvisor - Driver's Door
<input type="checkbox"/> PRIM-MAN	Pump Prime - Manual	<input type="checkbox"/> ISUNF-RE	Windscreen Interior Sunvisor - Electric
<input type="checkbox"/> AF-E	Auxiliary fuel filter, electrically heated	<input checked="" type="checkbox"/> ISUNF-RM	Windscreen Interior Sunvisor - Manual
<input type="checkbox"/> AF-R	Recirculation heated fuel filter	<input checked="" type="checkbox"/> CSPL-BX	Centre section dash panel shelf
<input type="checkbox"/> FUEFE2LW	Dual fuel filter, engine mounted with water separator-large	<input checked="" type="checkbox"/> CSPL-BXD	Centre section dash panel pull out drawer
<input type="checkbox"/> EST-AID	Engine starting aid	<input type="checkbox"/> ADFS	2 Din Slots in Front Shelf
<input type="checkbox"/> 220EBH15	220V/1.5kw engine block heater	<input type="checkbox"/> BUPALARM	Reverse alarm
<input type="checkbox"/> PTER-100	PTO Engine Rear Mounted with Flange DIN100/ISO7646	<input type="checkbox"/> RTOLL-PK	Road toll prep kit
<input type="checkbox"/> PTER-DIN	Power Take Off / splined shaft groove (female) DIN5462.	<input type="checkbox"/> LOADIND	Load indicator, electronic controlled suspension (SUSPL-EC)
<input type="checkbox"/> PTER1400	Rear engine mounted power-take-off with flange SAE 1410	<input type="checkbox"/> REMC-MF	Multifunction Wireless Remote Control
<input type="checkbox"/> HPE-F101	F1-101 Hydraulic pump rear engine mounted	<input type="checkbox"/> FIREX25A	Fire Extinguisher - 2.5 kg
<input type="checkbox"/> HPE-F41	F1-41 Hydraulic pump rear engine mounted	<input type="checkbox"/> FIREX3FR	Fire extinguisher, 3 kg, French decal
<input type="checkbox"/> HPE-F51	F1-51 Hydraulic pump rear engine mounted	<input type="checkbox"/> FIREXT2F	Fire extinguisher, 2 kg, French decal
<input type="checkbox"/> HPE-F61	F1-61 Hydraulic pump rear engine mounted	<input type="checkbox"/> FIREXT2G	
<input type="checkbox"/> HPE-F81	F1-81 Hydraulic pump rear engine mounted	<input type="checkbox"/> FIREXT3D	Fire extinguisher, 3 kg, Danish decal
<input type="checkbox"/> HPE-T53	F2-53/53 twin flow hyd pump rear engine mounted	<input type="checkbox"/> FIREXT3F	Fire extinguisher, 3 kg, Finnish decal
<input type="checkbox"/> HPE-T70	F2-70/53 twin flow hyd pump rear engine mounted	<input type="checkbox"/> FIREXT3N	Fire extinguisher, 3 kg, Norwegian decal
<input type="checkbox"/> HPE-V45	V1-45 variable pump rear engine mounted	<input type="checkbox"/> FIREXT3P	Fire extinguisher, 3kg, Portuguese decal
<input type="checkbox"/> HPE-V75	V1-75 variable pump rear engine mounted	<input type="checkbox"/> FIREXT3R	
<input type="checkbox"/> PTR-D	Low speed PTO with DIN connection	<input type="checkbox"/> FIREXT3S	3kg fire extinguisher
<input type="checkbox"/> PTR-DH	High speed PTO with DIN connection	<input type="checkbox"/> WARNVEST	Warning vest
<input type="checkbox"/> PTR-DM	Medium speed PTO with DIN connection	<input checked="" type="checkbox"/> WARNTRI2	2 warning triangles
<input type="checkbox"/> PTR-F	PTO Flange Connection - 100% speed	<input type="checkbox"/> AIDKIT	First aid kit
<input type="checkbox"/> PTR-FH	High speed PTO with flange connection	<input type="checkbox"/> AIDKIT1B	First aid kit-German market demands
<input type="checkbox"/> PTR-FL	Low speed PTO with flange connection	<input type="checkbox"/> WARNLAMP	Portable warning lamp
<input type="checkbox"/> PTRD-D	PTO with 2 DIN connections rear + 1 DIN connection front	<input type="checkbox"/> LAMP-IN	Inspection lamp
<input type="checkbox"/> PTRD-D1	PTO with 1 DIN + 1 flange connection rear + 1 DIN connection front	<input type="checkbox"/> BULBKIT	Bulb and fuse kit
<input type="checkbox"/> PTRD-D2	PTO with 2 flange connection rears + 1 DIN connection front	<input checked="" type="checkbox"/> WRITEPAD	Storable steering wheel fit clip board
<input type="checkbox"/> PTRD-F	PTO with 1 DIN + 1 flange connection rear	<input checked="" type="checkbox"/> DST-CF1	Driver seat comfort suspended
<input type="checkbox"/> HPG-F101	F1-101 hydraulic pump gearbox mounted	<input type="checkbox"/> DST-CF4	Fully adjustable driver's comfort seat
<input type="checkbox"/> HPG-F41	F1-41 hydraulic pump gearbox mounted		Air suspension
<input type="checkbox"/> HPG-F51	F1-51 hydraulic pump gearbox mounted	<input type="checkbox"/> DST-CF5	Fully adjustable driver's comfort seat
<input type="checkbox"/> HPG-F61	F1-61 hydraulic pump gearbox mounted		Air suspension, heated, integrated safety belt
<input type="checkbox"/> HPG-F81	F1-81 hydraulic pump gearbox mounted	<input type="checkbox"/> DST-CF6	Fully adjustable driver's comfort seat
<input checked="" type="checkbox"/> STWM-LE	Steering wheel material - leather		Air suspension, heated, integrated safety belt
<input type="checkbox"/> DRC-AMI	DPF Regeneration- Auto Initialise/Manual on Demand/Manual Inhibit	<input type="checkbox"/> DST-LUX1	Driver seat, lux, susp, belt, heat, vent
<input checked="" type="checkbox"/> DRC-AUTO	DPF Regeneration- Fully Automatic (in motion)	<input type="checkbox"/> DST-LUX2	Driver seat, lux, susp, belt, heat
<input type="checkbox"/> 1DAYB	1DAY-STD/SI-GRAF/basic setting	<input type="checkbox"/> DST-STD2	Driver seat standard, suspended
<input type="checkbox"/> 1DAYDIG	1DAY-STD/SI-GRAF/digital	<input type="checkbox"/> SBD-RED	Red safety belts, pass. & driver seats
<input checked="" type="checkbox"/> 1DAYDIG4		<input type="checkbox"/> SBPRE-DS	Drivers seat belt pretensioner
<input type="checkbox"/> ARSL	Additional road speed limiter	<input type="checkbox"/> PST-BAS1	Basic passenger's seat
<input checked="" type="checkbox"/> ESP-BAS1	ESP Package (Tractor/Trailer Combinations with ABS/EBS Or Rigid with Standard COG)	<input type="checkbox"/> PST-CF4	Fully adjustable passengers comfort seat
<input type="checkbox"/> ESPC-RO	ESP functionality control reduced/off		Air suspension, integrated safety belt
<input type="checkbox"/> HWSS-AC	ACC & Forward Collision Warning	<input type="checkbox"/> PST-CF5	Fully adjustable passenger comfort seat
<input type="checkbox"/> HWSS-ACB	ACC & forward collision warning & emergency braking.		Air suspension, heated, safety belt
<input checked="" type="checkbox"/> HWSS-FCB	Forward Collision Warning including Emergency Braking	<input type="checkbox"/> PST-RX1	Passenger relax seat with swivel and tilt
<input checked="" type="checkbox"/> LSS-DW	With lane departure system	<input checked="" type="checkbox"/> PST-STD2	Passenger Seat Basic 2 Armrests
<input type="checkbox"/> LSS-DW3	Pilot Assist - Active Continuous Lane Keeping	<input type="checkbox"/> PST-STD4	Passanger Seat Basic 2 Armrests Susp
<input type="checkbox"/> LCS2	Lane Change Support with Side Collision Avoidance (LHS)		

Standard Equipment

Optional Equipment

For more detailed information about cab and powertrain equipment, please refer to separate specification sheets.

For all possible options and combinations of options please consult your Volvo sales contact who can create a specification to match your requirements using the Volvo Sales Support system (VSS).

The factory reserves the right to modify design and change equipment without previous notification. The specification can vary from country to country.

MODEL RANGE

FH16 6x4 Tractor Air Suspension (Europe Built) FH 64T 6A

<input type="checkbox"/> SBPRE-PS	Passenger seatbelt pretensioner	<input type="checkbox"/> DGLAS-L	Laminated Door Glass
<input checked="" type="checkbox"/> ARMRE-BB	Armrests both sides - driver's & passenger's seat	<input checked="" type="checkbox"/> BUMP-B	Bumper - Plastic
<input type="checkbox"/> ARMRE-DB	Armrests both sides - driver's seat	<input type="checkbox"/> BUMP-B2	Bumper - Steel
<input type="checkbox"/> ARMRE-PB	Armrests both sides - passenger's seat	<input type="checkbox"/> BUMP-HD	Bumper - Heavy Duty
<input type="checkbox"/> ARU-BAS	Seat armrest upholstery - basic	<input checked="" type="checkbox"/> BUMP-SP	Bumper spoiler
<input checked="" type="checkbox"/> ARU-LEA	Seat armrest upholstery - leather	<input type="checkbox"/> AUXFS	Auxiliary Folding Side Step
<input type="checkbox"/> GRABHI-B	Instep Grab Handle - Standard	<input type="checkbox"/> GUARD-EH	Guard plate for cooling pipes and oil sump
<input checked="" type="checkbox"/> GRABHI-L	Instep Grab Handle - Leather Bound	<input checked="" type="checkbox"/> BUGNET	Insect Net in Front of Radiator
<input type="checkbox"/> FMAT-RUB	Floor Mats - Rubber	<input type="checkbox"/> CTILT-P-E	Electrical cab tilt pump
<input checked="" type="checkbox"/> FMAT-TX2	Floor Mats - Textile & Rubber	<input checked="" type="checkbox"/> CTILT-P-M	Manual cab tilt pump
<input checked="" type="checkbox"/> LBK80F	Lower Bunk 815mm Wide	<input type="checkbox"/> FCABS-A	Front Cab Suspension - Air Bellows
<input type="checkbox"/> LBK80FRE	Lower Bunk 815mm Wide - Electrically Reclinable	<input checked="" type="checkbox"/> FCABS-M	Front Cab Suspension - Mechanical Spring
<input type="checkbox"/> LBK80FRM	Lower Bunk 815mm Wide - Manually Reclinable	<input type="checkbox"/> RCABS-A	Rear Cab Suspension - Air Bellows
<input type="checkbox"/> MATL-FI	Spring Mattress Lower Bunk - Firm (100kg +)	<input checked="" type="checkbox"/> RCABS-M	Rear Cab Suspension - Mechanical Spring
<input checked="" type="checkbox"/> MATL-FI4	Foam Mattress Lower Bunk - Firm (100kg +)	<input type="checkbox"/> HCC-EXT	Front hatch catch control-electric
<input checked="" type="checkbox"/> MATL-SF	Mattress lower bunk - semi firm	<input checked="" type="checkbox"/> HCC-INEX	Front hatch catch control-manual
<input type="checkbox"/> OLMAT-BA	Mattress overlay - basic	<input type="checkbox"/> MIRCFPCS	Electrically Heated & Operated Convex Glass Mirrors with Front Monitoring Camera on Passenger Side
<input checked="" type="checkbox"/> OLMAT-PR	Mattress overlay - premium	<input type="checkbox"/> MIRCMCP	Camera Monitor System & Blind Spot Camera - Without Exterior Mirrors
<input type="checkbox"/> TBK60AD	Top bunk 600mm wide, foldable & height adjustable	<input type="checkbox"/> MIRCMS	Camera Monitor System - Without Exterior Mirrors
<input type="checkbox"/> TBK60F	Top bunk 600mm wide, foldable	<input checked="" type="checkbox"/> MIRCINF	Electrically heated and operated exterior mirrors with wide angle mirrors on both sides and close view mirror on passenger side.
<input type="checkbox"/> TBK70AD	Top Bunk 700mm Wide - Foldable & Height Adjustable	<input type="checkbox"/> MIRFLA3	Electrically operated flat mirrors
<input type="checkbox"/> TBK70F	Top Bunk 700mm Wide - Foldable	<input type="checkbox"/> MIRFLACP	Wide angle and close view mirror both sides
<input type="checkbox"/> PH-CAB2	Cab parking heater 2kw	<input checked="" type="checkbox"/> AMIR-F20	Close view mirror
<input type="checkbox"/> PH-ENGCA	Cab and engine parking heater	<input type="checkbox"/> SUNV-H	Exterior Sunvisor
<input type="checkbox"/> CPC-ADV	Cab parking cooler - advanced	<input type="checkbox"/> AD-ROOF	Aero-dynamic roof mounted deflector
<input checked="" type="checkbox"/> SLCP-BAS	Sleeper Control Panel - Standard	<input type="checkbox"/> AD-SIDEL	Aero-dynamic cab side deflectors
<input type="checkbox"/> SLCP-LUX	Sleeper control panel	<input type="checkbox"/> AD-SIDES	Aero-dynamic cab side deflectors
<input type="checkbox"/> SAFE	Safe box at bed-end	<input type="checkbox"/> AD-CHASX	Chassis skirts
<input type="checkbox"/> RUS-BAS	Rear Upper Cab Storage - 154 Litres for Sleeper/Globetrotter & 60 Litres for Day Cab	<input type="checkbox"/> ADCF-F	Additional aero device-chassis fairing flap
<input type="checkbox"/> RUS-HIG	Rear Upper Cab Storage - 245 Litres	<input type="checkbox"/> GUARD-W	Windscreen Stoneguard
<input type="checkbox"/> TABLE	Table	<input type="checkbox"/> HL-BASIC	Standard head lamps
<input type="checkbox"/> REFR-RUS	28 Litre Refrigerator in Upper Rear Storage	<input checked="" type="checkbox"/> HL-LED	LED Headlights
<input type="checkbox"/> REFRIG	33 Litre Refrigerator Under Lower Bunk	<input type="checkbox"/> HL-LED3	LED Headlights with Adaptive High Beam
<input type="checkbox"/> MICRO-PK	Preparation Kit for Microwave	<input checked="" type="checkbox"/> HL-CLEAN	Head lamp cleaning system
<input type="checkbox"/> BOTH-D	Bottle Holder in Driving Area	<input type="checkbox"/> HLP-ST	Headlight Protection - Steel
<input type="checkbox"/> BOTH-DL	Bottle Holder in Driving & Resting Areas	<input type="checkbox"/> HL-ADJ	Headlight Adjustment - Manual
<input type="checkbox"/> BOTH-L	Bottle Holder in Resting Area	<input checked="" type="checkbox"/> DRL-LED	V-shaped LED Daytime Running Light
<input type="checkbox"/> COFMA-PK	Coffee maker prep kit	<input type="checkbox"/> DRIVL2	Integrated driving lamps
<input type="checkbox"/> SOL12S	12v Outlet in Sleeper Area	<input checked="" type="checkbox"/> UDRIVL	Without Integrated Driving Lights
<input type="checkbox"/> INLI-BAS	Interior night lights	<input checked="" type="checkbox"/> FOGL-WC	Integrated fog lamps
<input type="checkbox"/> INLI-NL	Interior White & Red (night) Light	<input type="checkbox"/> CL-STAT	Corner light-static
<input checked="" type="checkbox"/> INLI-NLD	Interior light including night light and dimmer function	<input type="checkbox"/> ASL-RF2	Spotlights Inside Globetrotter Sign Box
<input type="checkbox"/> ARL-FLEX	Flexible Reading Lamp (Snake Light)	<input type="checkbox"/> IDLAMP-A	Identification Lamps - Amber
<input checked="" type="checkbox"/> RH-EE	Sky Window - Emergency Exit Roof Glass (tinted)	<input type="checkbox"/> IDLAMP-W	Identification Lamps - white
<input type="checkbox"/> RH-ER	Roof Hatch - Electric (Metal Emergency Exit)	<input type="checkbox"/> IDLMPSW	Switch in cab for identification lamps
<input type="checkbox"/> RH-ETR	Roof Hatch - Electric (Tinted Glass & Rear Opening)	<input type="checkbox"/> BEACOA2F	2 amber rotating lights- front of roof
<input type="checkbox"/> RH-MTR	Roof Hatch - Manual (Tinted Glass & Rear Opening)	<input type="checkbox"/> BEACOA2R	2 amber rotating lights- rear of roof
<input type="checkbox"/> GLAS-UNT	Clear window glass	<input type="checkbox"/> BEACON-P	Beacon Light Wire Preparation
<input type="checkbox"/> SWIND-BS	Cab side window-both sides	<input type="checkbox"/> BEACONA4	4 amber rotating lights
<input checked="" type="checkbox"/> VANMIR	Vanity Mirror	<input type="checkbox"/> CABPT-R1	1 cab roof pass through on driver's side
<input type="checkbox"/> AS-FUS	Auxiliary Shelf - Front Upper Storage	<input checked="" type="checkbox"/> CABPT-R2	2 cab roof pass throughs, 1 on each side
<input type="checkbox"/> INFOT-PK	LCD screen mount - 6kgs max		

Cab exterior

Standard Equipment Optional Equipment

For more detailed information about cab and powertrain equipment, please refer to separate specification sheets.

For all possible options and combinations of options please consult your Volvo sales contact who can create a specification to match your requirements using the Volvo Sales Support system (VSS).

The factory reserves the right to modify design and change equipment without previous notification. The specification can vary from country to country.

MODEL RANGE

FH16 6x4 Tractor Air Suspension (Europe Built) FH 64T 6A

- SPOTP-F** Aux spotlight preparation, 280W maximum
- SPOTP-R** Spot light preparation on roof, max 280W
- SPOTP-RF** Spot light preparation in front and on roof, max 280W
- ROS-IL** Illuminated roof sign
- ROS-IL2**
- ROS-ILP** Illuminated Cab Sign Prep Kit
- CSGN-ENG** Cab sign - Globetrotter
- CSGN-GTR** Globetrotter decal
- HORN-F1S** Single Electric Jericho Air Horn (Behind Grill)
- HORN-R2S** Chromed air horns, two roof mounted
- ANT-CBR** Antenna for CB Radio (Single Antenna)
- ACCBR-AP** Accessory bracket-forward, mid & rearward roof mounted
- ACCBR-F** Accessory bracket-forward roof mounted
- ACCBR-FM** Accessory bracket-forward & mid roof mounted
- ACCBR-FR** Accessory bracket-forward & rearward roof mounted
- ACCBR-M** Accessory bracket-mid roof mounted
- ACCBR-R** Accessory bracket-rearward roof mounted
- ACCBR-RM** Accessory bracket-rearward & mid roof mounted
- STUC-B** Storage Compartment Under Cab - Both Sides
- STUC-L** Storage Compartment Under Cab - LHS
- STUC-R** Storage Compartment Under Cab - RHS
- RFCAR-BC** Rear fender carrier-back of cab
- LADDER** Ladder back of cab
- REFS-TW** Reflecting stripes transport mounted on cab - white
- REFS-TY** Reflecting stripes transport mounted on cab - yellow
- BEPR-T2** Body Builder electrical prep. for tipper with remote control
- EXSTER** External Steering via Body Builder's Module
- TD-LED** LED trailer detection sensor
- AUXL-SPK** Aux. lamps snow ploug prep kit
- TAILPRE2** Taillift preparation kit for wireless remote
- TAILPREP** Taillift preparation kit
- AESW2** 2 Flexible Switches (AUX1 and AUX2).
- AESW2PK** 2 Flexible Switches (AUX1 & AUX2) + Additional 4 Flexible Switches
- AUXSW-4** Wiring Prep. for 4 Extra Bodybuilder Switches (switches not included)

Delivery services

- TGW-4GWL** Telematics Gateway with 4G/LTE & WLAN
- TGW-PK** Telematics gateway prep kit
- FMS-PK** Fleet management system gateway
- DRUT1** "My Truck" Smartphone App. 1 Year Prepaid
- DRUT2** "My Truck" Smartphone App. 2 Year Prepaid
- DRUT3** "My Truck" Smartphone App. 3 Year Prepaid
- DRUT4** "My Truck" Smartphone App. 4 Year Prepaid
- DRUT5** "My Truck" Smartphone App. 5 Year Prepaid
- TSRS** Traffic Sign Recognition System (ISA Compliant)
- TSRS2** Traffic Sign Recognition System

Superstructure

- 5WM-ISHD** 5th wheel mounting-heavy duty
- 5WM-ISOM** 5th wheel mounting plates-medium, on 50mm L profiles
- 5WM-MASM** 5th wheel mounting- adjustable medium L-profiles
- 5WM-OBLP** 5th Wheel L-Profiles
- 5WH150** Leg height 150mm (5.90")
- 5WH185** Leg height 185mm (7.28")
- 5WH190** Leg height 190mm (7.48")
- 5WH290** Leg height 290mm (11.41")
- 5WT-JO11** Jost 5th wheel-heavy duty 38-G
- 5WT-JO8** Jost 5th wheel-JSK37
- 5WT-JO9** Jost 5th wheel-JSK42
- 5WT-JOHD** Jost 5th wheel-heavy duty 38-C
- 5WT-SH** SAF Holland +GF SK 36.20
- 5WT-SH2** SAF Holland +GF-heavy duty SK 38.36
- 5WL-S1** 5th wheel lub sys. 1, king pin lock & top plate
- TCIND** Trailer connected indicator
- RDECK** Rear deck small 500mm
- RDECK-M** Rear deck medium 750mm
- SRWL-2RA** 2 amber rear chassis mounted working lamps
- SRWL-2RW** 2 Rear Chassis Mounted Working Lamps - White
- SRWL-PK** Wiring Prep for Chassis Mounted Reverse/Working Lamps - 3 Position Switch
- SWL-2RA** 2 amber side working lamps (rearward facing)
- SWL-2RW** 2 Side Working Lamps - White (Rearward Facing)
- SWL-PK** Wiring Prep for Chassis Mounted Working Lamps - 2 Position Switch
- WL-TA1A** Fifth wheel light-amber
- WL-TA1W** Fifth wheel light
- WLC-H2W** 2 LED work lamps - High Mounted with White Lens.
- WLC-PKH** Prep Kit for High Mounted Work Lamps
- WLC-PKL** Prep Kit for Low Mounted Work Lamps
- WLC-PKLH** Prep Kit for Low and High Mounted Work Lamps
- ECBB-BAS** B/B Elect. Centre without B/B Module
- ECBB-HIG** Body Builder Module - Cab Module (14 High/4 Low)
- ECBB-MED** Body Builder Module - Cab Module (7 High/4 Low)
- BBCHAS1** Body Builder Chassis Electrical Interface - 1 x 7 Pin Connector
- BBCHAS3** Body Builder Chassis Electrical Interface - 3 x 7 Pin Connectors

Standard Equipment Optional Equipment

For more detailed information about cab and powertrain equipment, please refer to separate specification sheets.

For all possible options and combinations of options please consult your Volvo sales contact who can create a specification to match your requirements using the Volvo Sales Support system (VSS).

The factory reserves the right to modify design and change equipment without previous notification. The specification can vary from country to country.

MODEL RANGE

FH16 6x4 Tractor Air Suspension (Europe Built) FH 64T 6A

Volvo Trucks. Driving Progress