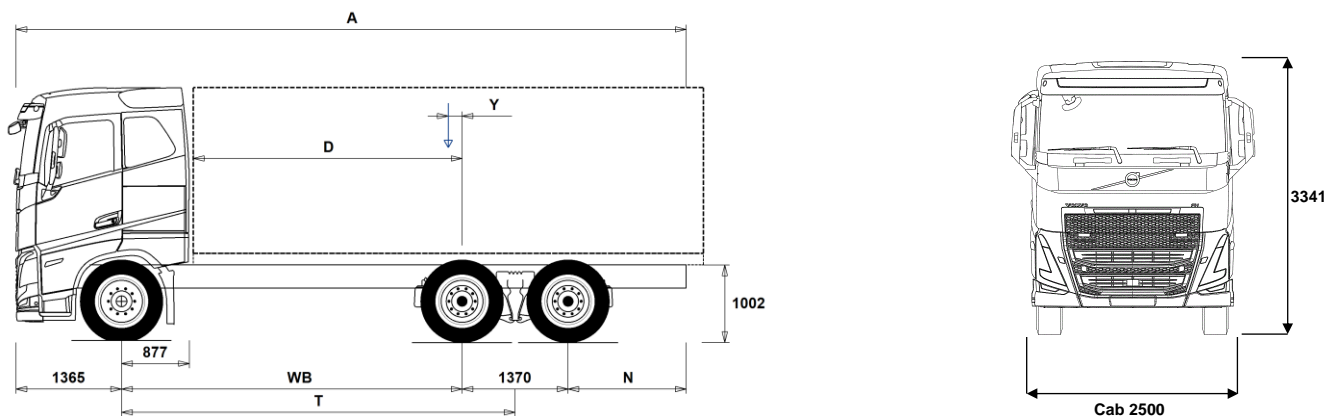


MODEL RANGE

NEW FH Battery Electric 6x4 Rigid - Full Air Suspension FH 64R E



Chassis Dimensions [mm]

WB Wheelbase	4300	4600	4900	5200	5600
A Overall Chassis Length	9410	9860	10310	10810	11410
D Center of rear axle to front of body	3373	3673	3973	4273	4673
N Rear Overhang (Min.)	825	825	1225	1225	1225
N Rear Overhang (Max.)	2375	2525	2675	2875	3075
T Theoretical Wheelbase	4985	5285	5585	5885	6285
Y Center of Gravity for Payload (Min.)	-762	-763	-763	-764	-774
Y Center of Gravity for Payload (Max.)	-407	-386	-363	-342	-321

Chassis Weights [kg]

Front Axle	7230	7220	7205	7195	7205
Rear Bogie	4755	4795	4840	4885	4945
Kerb Weight	11985	12015	12045	12080	12150
Payload (including body, driver, fuel, etc.)	14015	13985	13955	13920	13850

Turning Diameter [mm]

Turning Circle Diameter Kerb to Kerb	17300	18200	19100	20000	21300
Turning Circle Diameter Wall to Wall	18700	19600	20500	21400	22600

Plated Weights [kg]

	Plated	Design
Gross Vehicle Weight	26000	29500
Gross Combination Weight	44000	44000
Front Axle	8000	8500
Rear Bogie	19000	21000

Important Notes

Chassis Dimensions

Cab Height: +375 mm for CAB-HSLP, -203 mm for CAB-LSLP, +517 mm for CAB-XHSL.

D-measure includes a front clearance of 50 mm and for rigid trucks also a subframe of 100 mm.

Height can vary ± 20 mm for leaf and ± 10 mm for air suspension.

All dimensions are for unladen chassis and any tag axles down. Chassis height used: CHH-MED.

Height change when chassis height CHH-HIGH: 0 mm.

Weight and dimensions are based upon the following tyres:

Front Axle Tyres: 315/80R22.5
 Drive Axle Tyres: 315/80R22.5

Chassis weight includes oil, water, AdBlue, 0 litres fuel and without driver. Kerb weight can vary ± 10%.

Turning diameters are theoretically calculated.

Legal weights can differ from country to country.

For more detailed weight information, including optional equipment weights, ask your Volvo sales contact to enter your specification into the Volvo Weight Information system (WIS).

Do NOT use this drawing for bodybuilding. Refer to Volvo Bodybuilder Instructions and chassis assembly drawing FH64RE.

MODEL RANGE

NEW FH Battery Electric 6x4 Rigid - Full Air Suspension FH 64R E

TRUCK USE

- **RC-SMOOT** Road Conditions - Smooth
- **SWAPBODY** Transport Adaption - Swap body vehicle preparation
- **TIPP-PRE** Transport Adaption - Tipper vehicle preparation
- **UNIFORM** Transport Adaption - Basic platform vehicle

CORE COMPONENTS

- **CHH-HIGH** Chassis Height - High - for loading heights check the unique BEP chassis drawing attached to this quote
- **CHH-MED** Chassis Height - Medium - for loading heights check the unique BEP chassis drawing attached to this quote
- **RADD-GR** RADD-GR - 6x4/8x4 Air - High
- **FHE-HSLP** Cab - Globetrotter - all-steel safety cage design with a roof-mounted emergency escape hatch. Designed and built to Swedish impact and ECE R29 regulations
- **FHE-LSLP** Cab - Low sleeper - with steel safety cage design. Designed and built to Swedish impact and ECE R29 regulations
- **FHE-SLP** Cab - Sleeper - all-steel safety cage design with a roof-mounted emergency escape hatch. Designed and built to Swedish impact and ECE R29 regulations
- **FHE-XHSL** Cab - Globetrotter XL - all-steel safety cage design with a roof-mounted emergency escape hatch. Designed and built to Swedish impact and ECE R29 regulations
- **EPT2412** Gearbox - I-shift Automated 12-speed - suitable for gross train weights up to 44tonne
- **NEM3** Electric Motors - 3 - Output 490 kW – 666hp continuous power
- **TAAXLIFT** Rear axle lift for double drive bogie
CONTACT VOLVO SALES ENGINEERING to check lift capability
- **RTS2370A** Drive Axles - RTS2370A 23-tonne single reduction tandem with differential and cross locks*- design GCW 70tonne
* Cross locks replaced by a dog clutch if tandem axle lift is specified

PACKAGES

- **INFONDF** Media Information Platform with Navigation & Volvo Connect "On board" Support
- **DRIV-E** Cab Package - Drive
- **DRIV-E+** Cab Package - Drive +
- **DRIV-E++** Cab Package - Drive ++
- **1LIV-E** Sleep & Resting Package - Living one-bed
- **1LIV-E+** Sleep & Resting Package - Living one-bed +
- **1LIV-E++** Sleep & Resting Package - Living one-bed ++
- **2LIV-E** Sleep & Resting Package - Living two-bed
- **2LIV-E+** Sleep & Resting Package - Living two-bed +
- **2LIV-E++** Sleep & Resting Package - Living two-bed ++
- **SAFE-E** Active safety package
- **SAFE-E+** Active safety package +
- **RANGOPT5** Range Optimisation Package - 5 years prepaid subscription

CHASSIS

- **FST-AIR** Front suspension type - Air
- **FSLs-BAS** Front suspension levelling - basic stroke
- **FSLs-HI** Front suspension levelling - high stroke for demount operations - check with bodybuilder
- **FAL10.0** Front axle design capacity - 10 tonne - check tyre capacity
- **FAL8.5** Front axle design capacity - 8.5 tonnes
- **FAL9.0** Front axle design capacity - 9.0 tonne - check tyre capacity
- **FSTAB** Front anti-roll bar - Normal stiffness
- **FSTAB2** Front anti-roll bar - Medium stiffness
- **FSTAB3** Front anti-roll bar - High stiffness
- **RAL21** Rear bogie design capacity - 21 tonne

- **RAL23** Rear bogie design capacity - 23 tonne
- **RAL26** Rear bogie design capacity - 26 tonne
- **RSTAB1** Rear anti-roll bar - Normal stiffness
- **RSTAB3** Rear anti-roll bar - Stiff
- **RALIM105** Rear-axle load limiter - 10.5 tonne - speed controlled
- **RALIM115** Rear-axle load limiter - 11.5 tonne - speed controlled
- **RALIM13** Rear-axle load limiter - 13 tonne
- **RALIM95** Rear-axle load limiter - 9.5 tonne
- **ASF-DL1** Air suspension with 1 driving level
- **ASF-DL3** Air suspension with 3 driving levels
- **ACTST-TO** Active Steering- Volvo Dynamic Steering - VDS - with extra electronic pump and torque overlay
- **ASFE-BAS** Active steering feature - Basic - Volvo Dynamic Steering - VDS - only
- **ASFE-OG** Active steering feature - Volvo Dynamic Steering - VDS - with stability assist - oversteer
- **ASFE-PO** Active steering feature - Volvo Dynamic Steering - VDS - with personal settings and stability assist
- **ASFE-PS** Active steering feature - Volvo Dynamic Steering - VDS - with personal settings
- **AUXPARK** Auxiliary parking brake - Additional spring brakes
- **RST-AIR** Rear suspension type - Air
- **FRAME300** Chassis frame section external height - 300 mm
- **FST8080** Chassis frame thickness - 8 mm web and flange
- **FIL-EEEB** Chassis frame inner liner - From the end of the engine to the end of the bogie
- **FIL-EEEF** Chassis frame inner liner - From the end of the engine to end of the frame
- **FIL-FBEB** Chassis frame inner liner - Over the rear bogie
- **FIL-FBEF** Chassis frame inner liner - From the front of bogie to the end of the frame
- **FIL-TXEB** Chassis frame inner liner - From gearbox member to the end of the bogie
- **FIL-TXEF** Chassis frame inner liner - From gearbox member to the end of the frame
- **BATTAMP** Battery management - Voltage and current gauge
- **BATTIND** Battery management - Voltage, current and charge indicators
- **WHC-FIX2** Wheel chocks - Two fixed design
- **WHC-FOL1** One foldable wheel chock
- **WHC-FOL2** Two foldable wheel chocks
- **WHCP-M** Wheel chock carrier position - Middle part of the vehicle
- **WHCP-R** Wheel chock carrier position - In the rear part of the vehicle
- **WHCP-T** Wheel chock carrier position - Outer luggage locker
- **SUP-BAS** Side guards - Check with bodybuilder chassis space requirements
- **CHAIN-S** Snow chains
- **HOOK-SC** Snow chain hooks
- **TOWF-NO1** Front towing device - One detachable - stored in cab
- **TOWF-NO2** Front towing device - Two detachable - stored in cab
- **TOWMBRH** Towing member, high mounted in centre of frame, D = 190
- **TOWMBRL1** Towing member, low mounted under the frame
- **TOWMBRL2** Towing member, low and forward mounted under the frame
- **TOWMBRL3** Towing member, low and far forward mounted under the frame
- **TOWMBRM** Towing member, medium mounted in line with frame lower flange
- **RFEC-L** Rear frame profile - Lower flange cut for centre axle drawbar
- **RFEC-S** Rear frame profile - Straight cut
- **RFEC-U** Rear frame profile - Slight uppercut for tippers
- **C-RI4040** Towing coupling, Ringfeder 4040A
- **C-RI5050** Towing coupling, Ringfeder 5050A
- **C-RO400G** Towing coupling, Rockinger 400 G-150 for 40mm eyes
- **C-RO50** Rockinger RO 50 50mm for centre axle trailer
- **C-VBG520** VBG 5200D-3 coupling (Not suitable for centre axle trailers)
Contact VBG on 01925 234111 to validate

■ Standard Equipment □ Optional Equipment

For more detailed information about cab and powertrain equipment, please refer to separate specification sheets.

For all possible options and combinations of options please consult your Volvo sales contact who can create a specification to match your requirements using the Volvo Sales Support system (VSS).

The factory reserves the right to modify design and change equipment without previous notification. The specification can vary from country to country.

MODEL RANGE

NEW FH Battery Electric 6x4 Rigid - Full Air Suspension FH 64R E

<input type="checkbox"/> C-VBG795	the coupling rating for the application VBG 795V-3 coupling (centre axle trailer)	<input type="checkbox"/> HPM-F81	Hydraulic pump - F1-81 for electrical motor, fixed displacement pump
<input type="checkbox"/> TOWR-ONE	Towing hitch attached to rear crossmember	<input type="checkbox"/> HPM-T42	Hydraulic pump - F2-42/42 for electrical motor, twin flow displacement pump
<input type="checkbox"/> TREL-PK	Trailer electrical preparation kit - chassis/cab wiring	<input type="checkbox"/> HPM-T53	Hydraulic pump - F2-53/53 for electrical motor, twin flow displacement pump
<input type="checkbox"/> TREL14	Single 14 pole electrical trailer connector	<input type="checkbox"/> HPM-T55	Hydraulic pump - F2-55/28 for electrical motor, twin flow displacement pump
<input type="checkbox"/> TREL15	Trailer electrical connection - Single 15 pin - ADR certified	<input type="checkbox"/> HPM-T70	Hydraulic pump - F2-70/35 for electrical motor, twin flow displacement pump
<input type="checkbox"/> TREL7-7	Trailer electrical connection - 2 x 7 pin - 24N and 24S	<input type="checkbox"/> HPM-V130	Hydraulic pump - VP1-130 for electrical motor, variable displacement pump.
<input type="checkbox"/> TBC-DUO	Trailer brake connections - Duomatic type	<input type="checkbox"/> HPM-V45	Hydraulic pump - VP1-45 for electrical motor, variable displacement pump.
<input type="checkbox"/> TBC-EC	Trailer brake connections - EC palm coupling connectors	<input type="checkbox"/> HPM-V75	Hydraulic pump - VP1-75 for electrical motor, variable displacement pump.
<input type="checkbox"/> TRBR-HCF	Full pressure hand controlled trailer brake	<input type="checkbox"/> HPM-V95	Hydraulic pump - VP1-95 for electrical motor, variable displacement pump.
<input type="checkbox"/> TRBR-STA	Stationary trailer brake control	<input type="checkbox"/> PTR-D	Gearbox PTO for plug-in pump, 0.71xeng speed
<input type="checkbox"/> TRB-STRE	Stretch Brake - Automatic low speed trailer brake activation to avoid jack-knifing and improve steerability	<input type="checkbox"/> PTR-DH	Gearbox driven high speed PTO for one plug-in hydraulic pump
<input type="checkbox"/> RFEND-B	Rear mud wings - Three piece EC approved and spray flaps	<input type="checkbox"/> PTR-DM	Gearbox driven medium speed PTO for one plug-in hydraulic pump
<input type="checkbox"/> RFEND-T	Rear mud wings - Temporary on drive axle for transport delivery only	<input type="checkbox"/> PTR-F	Gearbox driven PTO with rear flange connection
<input type="checkbox"/> RFH-BAS	Basic rear wing height	<input type="checkbox"/> PTR-FH	Gearbox driven high speed PTO with SAE drive flange
<input type="checkbox"/> RFH-HIG	High rear wing height - higher wing tops	<input type="checkbox"/> PTR-FL	Gearbox driven low speed PTO with SAE drive flange
<input type="checkbox"/> RFH-LOW	Lower rear wing height - shallower wing tops	<input type="checkbox"/> PTRD-D	Gearbox driven HIGH SPEED PTO for two plug-in hydraulic pumps
<input type="checkbox"/> AUXATNK	Auxiliary airtank	<input type="checkbox"/> PTRD-D1	PTRD-D1 Gearbox driven HIGH SPEED PTO (1 SAE flange & 1 plug-in hydraulic pump)
<input type="checkbox"/> RESTS-W	White conspicuity markings on chassis - sideguards, toolbox and rear overhang	<input type="checkbox"/> PTRD-D2	Gearbox driven HIGH SPEED PTO (2 SAE flanges & 1 plug-in hyd pump)
<input type="checkbox"/> REST-RUP		<input type="checkbox"/> PTRD-F	PTO with 1 DIN + 1 flange connection rear, manual gearbox
<input checked="" type="checkbox"/> BLIGHT-E	Emergency brake light	<input type="checkbox"/> HPG-F101	Parker F1-101 gearbox mounted, fixed displacement, single flow, hydraulic pump
WHEELS & TYRES		<input type="checkbox"/> HPG-F41	Parker F1-41 gearbox mounted, fixed displacement, single flow, hydraulic pump
<input checked="" type="checkbox"/> RT-AL	Wheels - Alcoa brushed aluminium rims - standard holes for long stud fixing	<input type="checkbox"/> HPG-F51	Parker F1-51 gearbox mounted, fixed displacement, single flow, hydraulic pump
<input type="checkbox"/> RT-ALDP	Wheels - Alcoa Dura-Bright aluminium rims - standard holes for long stud fixing	<input type="checkbox"/> HPG-F61	Parker F1-61 gearbox mounted, fixed displacement, single flow, hydraulic pump
<input type="checkbox"/> RT-ALDPPD	Wheels - Alcoa Dura-Bright EVO aluminium rims - countersunk holes for short stud fixing	<input type="checkbox"/> HPG-F81	Parker F1-81 gearbox mounted, fixed displacement, single flow, hydraulic pump
<input type="checkbox"/> RT-ALDU	Wheels - Alcoa brushed aluminium rims - countersunk holes for short stud fixing	<input checked="" type="checkbox"/> CRUIS-E	Eco cruise control (with eco-roll and I-cruise, controls in steering wheel)
<input type="checkbox"/> RT-STEEL	Wheels - Steel rims	<input checked="" type="checkbox"/> STWPOS-R	Steering wheel position - RIGHT-HAND DRIVE
<input type="checkbox"/> SPWT-D	Spare wheel & tyre with rear tyre pattern	<input type="checkbox"/> STWM-LE	Steering wheel - Leather rim
<input type="checkbox"/> SPWT-F	Spare wheel & tyre with front tyre pattern	<input checked="" type="checkbox"/> STGW-AD2	Steering wheel adjustment - Neck tilt, column height and angle
<input type="checkbox"/> SWCP-R	Rear mounted spare wheel carrier	<input type="checkbox"/> ARSL	Additional road speed limit - switch in dashboard
<input type="checkbox"/> SWCP-T	Spare wheel supplied temporarily strapped to chassis	<input checked="" type="checkbox"/> ESP-BAS1	Electronic Stability Control ESC
<input type="checkbox"/> SWCP-TP	Temporary spare wheel carrier on top of chassis frame	<input type="checkbox"/> ESPC-RO	Additional ESC functions - Reduced / Off
<input type="checkbox"/> JACK-12T	12 tonne bottle jack	<input type="checkbox"/> HWSS-AC	Adaptive cruise control with forward collision warning
<input type="checkbox"/> JACK-15T		<input type="checkbox"/> HWSS-ACB	Adaptive cruise control ACC with forward collision warning and AEBs advanced emergency brake system
<input type="checkbox"/> JACK-20T		<input checked="" type="checkbox"/> HWSS-FCB	Forward collision warning with AEBs advanced emergency brake system
<input checked="" type="checkbox"/> TOOL-BAS	Basic Toolkit	<input checked="" type="checkbox"/> LSS-DW	Lane departure-warning system
<input type="checkbox"/> TOOLKIT	Complete tool kit	<input checked="" type="checkbox"/> LCS4	Side Collision Avoidance Support - passenger and driver side
<input type="checkbox"/> INFLAHOS	Tyre inflation hose	<input type="checkbox"/> DAS-W	Driver Alert Support system
<input type="checkbox"/> GAUGE-TP	Tyre pressure gauge	<input type="checkbox"/> RSENS-W	Rain sensing windscreen wipers
DRIVELINE EQUIPMENT		<input checked="" type="checkbox"/> CU-ECC	Cab Climate Unit - Electrically controlled air conditioning with sun sensor
<input checked="" type="checkbox"/> DRM-BE	Drive Mode - Balanced & Economy	<input type="checkbox"/> CU-ECC2	Cab Climate Unit - Electrically controlled air conditioning with a carbon filter, sun, mist, and air quality sensor
<input checked="" type="checkbox"/> PVT-MAP	I-See Predictive Cruise Control - using map based topography information	<input checked="" type="checkbox"/> IMMOBIL	Thatcham H2 approved immobiliser
<input type="checkbox"/> EP400A	Electric Power Outlet Voltage - 400V AC		
<input type="checkbox"/> EPTC270	Electro-mechanical Power Take Off - Output 270 Nm - transport located on top of chassis behind cab		
<input type="checkbox"/> HPM-F101	Hydraulic pump - F1-101 for electrical motor, fixed displacement pump		
<input type="checkbox"/> HPM-F41	Hydraulic pump - F1-41 for electrical motor, fixed displacement pump		
<input type="checkbox"/> HPM-F51	Hydraulic pump - F1-51 for electrical motor, fixed displacement pump		
<input type="checkbox"/> HPM-F61	Hydraulic pump - F1-61 for electrical motor, fixed displacement pump		

Standard Equipment

Optional Equipment

For more detailed information about cab and powertrain equipment, please refer to separate specification sheets.

For all possible options and combinations of options please consult your Volvo sales contact who can create a specification to match your requirements using the Volvo Sales Support system (VSS).

The factory reserves the right to modify design and change equipment without previous notification. The specification can vary from country to country.

MODEL RANGE

NEW FH Battery Electric 6x4 Rigid - Full Air Suspension FH 64R E

<input type="checkbox"/> ALARM-E	Enhanced vehicle alarm - Thatcham H1 approved - Cab plus external sensor for body/trailer	<input type="checkbox"/> GRABHI-L	Instep cab grab handle - Leather finish
<input type="checkbox"/> AMPL400	Radio amplifier, 8 channel, 400 W with subwoofer Located in right hand external storage box	<input checked="" type="checkbox"/> FMAT-RUB	Footwell floor mats - Rubber
<input checked="" type="checkbox"/> BUPMON	Back up monitor - Digital reverse camera, parameter & lead supplied loose in cab.	<input type="checkbox"/> FMAT-TX2	Footwell floor mats - Two sets, Rubber and textile with an embossed pile supplied in the cab
<input type="checkbox"/> ISUNS-BS	Side sun visor - Driver & passenger side	<input checked="" type="checkbox"/> LBK80F	Lower fixed bunk with wide middle section 815 in the centre x 2000 mm
<input checked="" type="checkbox"/> ISUNS-DS	Side sun visor - Driver-side	<input type="checkbox"/> LBK80FRE	Lower electrically operated recline bunk with wide middle section 815 in the centre x 2000 mm
<input type="checkbox"/> ISUNF-RE	Electrically operated textile interior sun blind	<input type="checkbox"/> LBK80FRM	Lower manually operated recline bunk with wide middle section 815 in the centre x 2000 mm
<input checked="" type="checkbox"/> ISUNF-RM	Manually operated textile interior sun blind	<input type="checkbox"/> MATL-FI	Firm lower bunk pocket sprung mattress
<input checked="" type="checkbox"/> CSPL-BX	Lower center dash open storage box	<input type="checkbox"/> MATL-FI4	Lower mattress - Firm, memory foam, 2000x700x130 mm
<input type="checkbox"/> CSPL-BXD	Lower centre dash drawer	<input checked="" type="checkbox"/> MATL-SF	Lower mattress - Flexi-zone semi-firm, pocket springs up to 100kg - 16 stone
<input type="checkbox"/> ADFS	Two extra DIN slots in front shelf - can be fitted with card or drawer available as an accessory	<input type="checkbox"/> OLMAT-BA	Mattress overlay protector - 35mm thick
<input checked="" type="checkbox"/> BUPALARM	Reverse alarm	<input type="checkbox"/> OLMAT-PR	Mattress overlay protector - Premium 50mm thick
<input type="checkbox"/> RTOLL-PK	Road toll PREPARATION kit for trucks operating with "Toll Collect" in Germany	<input type="checkbox"/> TBK60AD	Top bunk - Height adjustable foldable 600 x 1900mm
<input checked="" type="checkbox"/> LOADIND	Load indicator with central dashboard display	<input type="checkbox"/> TBK60F	Top bunk - Fixed foldable 600 x 1900mm
<input type="checkbox"/> REMC-MF	Multi-functio wireless remote control	<input type="checkbox"/> TBK70AD	Top bunk - Height adjustable foldable 700 x 1900mm
<input checked="" type="checkbox"/> FIREXT3S	Fire extinguisher - 3kg mounted on the seat base	<input type="checkbox"/> TBK70F	Top bunk - Fixed foldable 700 x 1900mm
<input type="checkbox"/> WARNVEST	High visibility warning vest - no sleeves	<input checked="" type="checkbox"/> SLCP-BAS	Sleeper control panel - Basic with switches for interior light, night heater, roof hatch and door lock
<input checked="" type="checkbox"/> WARNTRI2	Roadside hazard warning triangle	<input type="checkbox"/> SLCP-LUX	Sleeper control panel - Luxury with switches for interior light, night heater, roof hatch, door lock, alarm clock, window and radio
<input type="checkbox"/> AIDKIT	First aid kit - Legal demand for EU markets including delivery to EU bodybuilder	<input type="checkbox"/> SAFE	Driver's safe box - for personal items
<input type="checkbox"/> AIDKIT1B	First aid kit - Legal demand for trucks transiting Germany	<input type="checkbox"/> RUS-BAS	Rear cab upper storage - 300 mm high
<input type="checkbox"/> WARNLAMP	Portable warning lamp	<input type="checkbox"/> RUS-HIG	Rear cab upper storage - 440 mm high - volume 245 litres
<input type="checkbox"/> LAMP-IN	Inspection lamp	<input type="checkbox"/> TABLE	Bunk table - Folding and height adjustable fitted on lower bunk
<input type="checkbox"/> BULBKIT	Bulb and fuse kit	<input type="checkbox"/> REFR-RUS	Fridge - 28 litre rear upper wall mounted with dividers
<input type="checkbox"/> WRITEPAD	Writing pad	<input type="checkbox"/> REFRIG	Fridge - 33 litre under-bunk mounted with freezer dividers
<input checked="" type="checkbox"/> DST-CF4	Driver seat - Suspended, adjustable shock absorber, travel, backrest & lumbar controls with integrated seatbelt	<input type="checkbox"/> MICRO-PK	Wiring preparation kit for microwave oven
<input type="checkbox"/> DST-CF5	Driver seat - Suspended with adjustable shock absorber, travel, backrest, lumbar & heat controls with integrated seatbelt	<input checked="" type="checkbox"/> BOTH-D	Bottle holder - One under dashboard centre section
<input type="checkbox"/> DST-CF6	Driver seat - Suspended with adjustable shock absorber, travel, backrest, lumbar, heat and ventilation controls with integrated seatbelt	<input type="checkbox"/> BOTH-DL	Bottle holders - Two. One under dashboard centre section and one mounted to the under bunk drawer
<input type="checkbox"/> DST-LUX1	Driver seat - Deluxe 1: electrical adjustment with memory function, lumbar support, heating & ventilation with integrated seatbelt	<input type="checkbox"/> BOTH-L	Bottle holder - One mounted to the under bunk drawer
<input type="checkbox"/> DST-LUX2	Driver seat - Deluxe 2: electrical adjustment with memory function, lumbar support & heating with integrated seatbelt	<input type="checkbox"/> COFMA-PK	Coffee maker - Preparation kit.
<input type="checkbox"/> SBD-RED	Seat belt colour - Red	<input checked="" type="checkbox"/> INLI-BAS	Interior light - White LEDs
<input type="checkbox"/> PST-BAS1	Passenger seat - Fixed non suspended fold up with seatbelt mounted on cab "B" post	<input type="checkbox"/> INLI-NL	Interior light - White and red nightlight LEDs without dimmer
<input type="checkbox"/> PST-CF4	Passenger seat - Suspended, adjustable shock absorber, travel, backrest & lumbar controls with integrated seatbelt	<input type="checkbox"/> INLI-NLD	Interior light - White and red nightlight LEDs with dimmer
<input type="checkbox"/> PST-CF5	Passenger seat - Suspended with adjustable shock absorber, travel, backrest, lumbar & heat controls with integrated seatbelt	<input type="checkbox"/> ARL-FLEX	Flexible reading lamps - Two "snake" type
<input type="checkbox"/> PST-RX1	Passenger seat - Fixed non suspended, features: 90-degree rotation and tilt function with seatbelt mounted on cab "B" post	<input checked="" type="checkbox"/> RH-EE	Fixed tinted glass sky window with emergency exit
<input checked="" type="checkbox"/> PST-STD2	Passenger seat - Fixed with backrest adjustment, non suspended with seatbelt mounted on cab "B" post	<input type="checkbox"/> RH-ER	Steel roof hatch - Electrically operated, rear opening with emergency exit
<input type="checkbox"/> PST-STD4	Passenger seat - Standard suspended with seatbelt mounted on cab "B" post	<input type="checkbox"/> RH-ETR	Tinted glass roof hatch - Electrically operated, rear opening with emergency exit
<input type="checkbox"/> SBPRE-PS	Passenger seat belt pretensioner	<input type="checkbox"/> RH-MTR	Tinted glass roof hatch - Manually operated, rear opening with emergency exit
<input type="checkbox"/> ARMRE-BB	Armrests - Two on both driver & passenger seats	<input checked="" type="checkbox"/> GLAS-TIN	Cab windows - Tinted
<input type="checkbox"/> ARMRE-DB	Armrests - Two on the driver seat	<input type="checkbox"/> SWIND-BS	Cab side window - On both sides behind 'B' post
<input type="checkbox"/> ARMRE-PB	Armrests - Two on the passenger seat	<input type="checkbox"/> AS-FUS	Extra shelf in front compartments
<input type="checkbox"/> ARU-BAS	Armrest upholstery - Vinyl	<input type="checkbox"/> INFOT-PK	Preparation kit for the mounting of a flat screen TV in cab above the driver's door, includes bracket, electrical and speaker connections
<input type="checkbox"/> ARU-LEA	Armrest upholstery - Leather	CAB EXTERIOR	
<input checked="" type="checkbox"/> GRABHI-B	Instep cab grab handle - Steel finish	<input checked="" type="checkbox"/> EXTL-EN2	Enhanced complete painted finish - Satin Volvo badges. Main grille, instep, door handles, mirror housing, and bumper in cab colour. Aluminium step inserts. Sunvisor and bumper spoiler in cab colour if specified.
		<input type="checkbox"/> LOCK-CTL	Door locks - Central locking with key
		<input type="checkbox"/> LOCK-REM	Door locks - Remote central locking
		<input checked="" type="checkbox"/> BUMP-B	Plastic front bumper

Standard Equipment

Optional Equipment

For more detailed information about cab and powertrain equipment, please refer to separate specification sheets.

For all possible options and combinations of options please consult your Volvo sales contact who can create a specification to match your requirements using the Volvo Sales Support system (VSS).

The factory reserves the right to modify design and change equipment without previous notification. The specification can vary from country to country.

MODEL RANGE

NEW FH Battery Electric 6x4 Rigid - Full Air Suspension FH 64R E

<input type="checkbox"/> BUMP-B2	Front bumper - Steel	SUPERSTRUCTURE PREPARATIONS	<input type="checkbox"/> SW745-EE	Swapbody equipped with front stop block for wheelbase 4600 mm and body length 7150/7450 mm. Height 130 mm above frame.
<input checked="" type="checkbox"/> BUMP-SP	Front bumper spoiler	<input type="checkbox"/> SW745-GE	<input type="checkbox"/> SW782-ME	Swapbody equipped with front stop block for wheelbase 4600 mm and body length 7150/7450 mm. Height 190 mm above frame.
<input type="checkbox"/> CTILTP-E	Electrically operated hydraulic cab tilt	<input type="checkbox"/> SW782-OE	<input type="checkbox"/> CROSSRE	Swapbody equipped with front stop block for wheelbase 4900 mm and body length 7150/7450/7820 mm. Height 130 mm above frame.
<input type="checkbox"/> CTILTP-M	Manually operated hydraulic cab tilt	<input type="checkbox"/> SRWL-2RW	<input type="checkbox"/> SRWL-PK	Swapbody equipped with front stop block for wheelbase 4900 mm and body length 7150/7450/7820 mm. Height 190 mm above frame.
<input type="checkbox"/> FCABS-A	Front cab suspension - Air	<input type="checkbox"/> SWL-2FW	<input type="checkbox"/> SWL-2RW	Chassis-mounted working lamps - Two white rear-mounted LED lamps and 3 position switch
<input checked="" type="checkbox"/> FCABS-M	Front cab suspension - Mechanical spring	<input type="checkbox"/> SWL-4W	<input type="checkbox"/> SWL-PK	Chassis-mounted working lamps - Side work and reverse lamp preparation and 3 position switch - Max load 280W
<input type="checkbox"/> RCABS-A	Rear cab suspension - Air	<input type="checkbox"/> WLC-H2A	<input type="checkbox"/> WLC-H2W	Chassis-mounted working lamps - Two white front-mounted LED lamps
<input checked="" type="checkbox"/> RCABS-M	Rear cab suspension - Mechanical spring	<input type="checkbox"/> WLC-PKH	<input type="checkbox"/> WLC-PKH	Chassis-mounted working lamps - Two white rear-mounted LED lamps
<input type="checkbox"/> HCC-EXT	Exterior hood catch - manually operated from the front of the vehicle	<input type="checkbox"/> WLC-PKL	<input type="checkbox"/> WLC-PKLH	Chassis-mounted working lamps - Four white front and rear-mounted LED lamps
<input checked="" type="checkbox"/> HCC-INEX	Exterior hood lock - Activated by door lock remote	<input type="checkbox"/> WLC-PKH	<input type="checkbox"/> WLC-PKH	Chassis-mounted working lamps - Side work lamp preparation and 2 position switch - Max load 280W
<input checked="" type="checkbox"/> MIRCFPCS	Mirrors - Electrically heated and operated main and wide-angle with manually adjusted kerb view mirror on the passenger side and position camera in nearside mirror arm.	<input type="checkbox"/> WLC-PKH	<input type="checkbox"/> WLC-PKH	Chassis-mounted working lamps - Side work lamp preparation and 2 position switch - Max load 280W
<input checked="" type="checkbox"/> AMIR-F20	Auxiliary front view mirror with a 200mm radius	<input type="checkbox"/> WLC-PKH	<input type="checkbox"/> WLC-PKH	Chassis-mounted working lamps - Side work lamp preparation and 2 position switch - Max load 280W
<input type="checkbox"/> SUNV-H	External smoke grey sunvisor	<input type="checkbox"/> WLC-PKH	<input type="checkbox"/> WLC-PKH	Chassis-mounted working lamps - Side work lamp preparation and 2 position switch - Max load 280W
<input type="checkbox"/> AD-ROOF	Cab roof deflector - Adjustable	<input type="checkbox"/> WLC-PKH	<input type="checkbox"/> WLC-PKH	Chassis-mounted working lamps - Side work lamp preparation and 2 position switch - Max load 280W
<input type="checkbox"/> AD-SIDES	Cab side deflector - Short extension panels	<input type="checkbox"/> WLC-PKH	<input type="checkbox"/> WLC-PKH	Chassis-mounted working lamps - Side work lamp preparation and 2 position switch - Max load 280W
<input type="checkbox"/> AD-CHASX	Chassis side skirts	<input type="checkbox"/> WLC-PKH	<input type="checkbox"/> WLC-PKH	Chassis-mounted working lamps - Side work lamp preparation and 2 position switch - Max load 280W
<input type="checkbox"/> ADCF-F	Additional black edging on chassis side skirt	<input type="checkbox"/> WLC-PKH	<input type="checkbox"/> WLC-PKH	Chassis-mounted working lamps - Side work lamp preparation and 2 position switch - Max load 280W
<input type="checkbox"/> HLP-ST	Headlamp protection	<input type="checkbox"/> WLC-PKH	<input type="checkbox"/> WLC-PKH	Chassis-mounted working lamps - Side work lamp preparation and 2 position switch - Max load 280W
<input checked="" type="checkbox"/> DRL-LED	V-shaped daytime running lights	<input type="checkbox"/> WLC-PKH	<input type="checkbox"/> WLC-PKH	Chassis-mounted working lamps - Side work lamp preparation and 2 position switch - Max load 280W
<input type="checkbox"/> DRIVL2	Two spot lamps	<input type="checkbox"/> WLC-PKH	<input type="checkbox"/> WLC-PKH	Chassis-mounted working lamps - Side work lamp preparation and 2 position switch - Max load 280W
<input checked="" type="checkbox"/> UDRIVL	Auxiliary driving lights - Without	<input type="checkbox"/> WLC-PKH	<input type="checkbox"/> WLC-PKH	Chassis-mounted working lamps - Side work lamp preparation and 2 position switch - Max load 280W
<input checked="" type="checkbox"/> FOGL-WC	Front fog lights	<input type="checkbox"/> WLC-PKH	<input type="checkbox"/> WLC-PKH	Chassis-mounted working lamps - Side work lamp preparation and 2 position switch - Max load 280W
<input checked="" type="checkbox"/> CL-STAT	Static corner lights	<input type="checkbox"/> WLC-PKH	<input type="checkbox"/> WLC-PKH	Chassis-mounted working lamps - Side work lamp preparation and 2 position switch - Max load 280W
<input type="checkbox"/> ASL-RF2	Two Hella H11 70W spotlamps in sign box	<input type="checkbox"/> WLC-PKH	<input type="checkbox"/> WLC-PKH	Chassis-mounted working lamps - Side work lamp preparation and 2 position switch - Max load 280W
<input type="checkbox"/> BEACOA2F	Roof beacons - Two front roof mounted amber LED	<input type="checkbox"/> WLC-PKH	<input type="checkbox"/> WLC-PKH	Chassis-mounted working lamps - Side work lamp preparation and 2 position switch - Max load 280W
<input type="checkbox"/> BEACOA2R	Roof beacons - Two rear roof mounted amber LED	<input type="checkbox"/> WLC-PKH	<input type="checkbox"/> WLC-PKH	Chassis-mounted working lamps - Side work lamp preparation and 2 position switch - Max load 280W
<input type="checkbox"/> BEACON-P	Roof beacons - switch and wiring preparation only	<input type="checkbox"/> WLC-PKH	<input type="checkbox"/> WLC-PKH	Chassis-mounted working lamps - Side work lamp preparation and 2 position switch - Max load 280W
<input type="checkbox"/> BEACONA4	Roof beacons - Four amber LED - two front/ two rear	<input type="checkbox"/> WLC-PKH	<input type="checkbox"/> WLC-PKH	Chassis-mounted working lamps - Side work lamp preparation and 2 position switch - Max load 280W
<input type="checkbox"/> CABPT-R1	Single outlet for roof mounted accessories	<input type="checkbox"/> WLC-PKH	<input type="checkbox"/> WLC-PKH	Chassis-mounted working lamps - Side work lamp preparation and 2 position switch - Max load 280W
<input checked="" type="checkbox"/> CABPT-R2	Twin outlets for roof mounted accessories.	<input type="checkbox"/> WLC-PKH	<input type="checkbox"/> WLC-PKH	Chassis-mounted working lamps - Side work lamp preparation and 2 position switch - Max load 280W
<input type="checkbox"/> SPOTP-F	Spotlamp preparation in front, max 280W	<input type="checkbox"/> WLC-PKH	<input type="checkbox"/> WLC-PKH	Chassis-mounted working lamps - Side work lamp preparation and 2 position switch - Max load 280W
<input type="checkbox"/> SPOTP-R	Spotlamp preparation on roof, max 280W	<input type="checkbox"/> WLC-PKH	<input type="checkbox"/> WLC-PKH	Chassis-mounted working lamps - Side work lamp preparation and 2 position switch - Max load 280W
<input type="checkbox"/> SPOTP-RF	Spotlamp preparation on cab roof and in cab front, max 2x280W	<input type="checkbox"/> WLC-PKH	<input type="checkbox"/> WLC-PKH	Chassis-mounted working lamps - Side work lamp preparation and 2 position switch - Max load 280W
<input type="checkbox"/> ROS-IL	Globetrotter roof sign illuminated	<input type="checkbox"/> WLC-PKH	<input type="checkbox"/> WLC-PKH	Chassis-mounted working lamps - Side work lamp preparation and 2 position switch - Max load 280W
<input type="checkbox"/> ROS-IL2	Preparation kit for illuminated roof sign with switch loose in cab, fit after registration	<input type="checkbox"/> WLC-PKH	<input type="checkbox"/> WLC-PKH	Chassis-mounted working lamps - Side work lamp preparation and 2 position switch - Max load 280W
<input type="checkbox"/> ROS-ILP	Roof sign illumination preparation kit	<input type="checkbox"/> WLC-PKH	<input type="checkbox"/> WLC-PKH	Chassis-mounted working lamps - Side work lamp preparation and 2 position switch - Max load 280W
<input type="checkbox"/> CSGN-GTR	"Globetrotter" headboard logo	<input type="checkbox"/> WLC-PKH	<input type="checkbox"/> WLC-PKH	Chassis-mounted working lamps - Side work lamp preparation and 2 position switch - Max load 280W
<input checked="" type="checkbox"/> HORN-F1S	Horn - Air single tone - chassis mounted	<input type="checkbox"/> WLC-PKH	<input type="checkbox"/> WLC-PKH	Chassis-mounted working lamps - Side work lamp preparation and 2 position switch - Max load 280W
<input checked="" type="checkbox"/> HORN-R2S	Horn - Air - Two roof-mounted	<input type="checkbox"/> WLC-PKH	<input type="checkbox"/> WLC-PKH	Chassis-mounted working lamps - Side work lamp preparation and 2 position switch - Max load 280W
<input type="checkbox"/> ANT-CBR	Roof mounted antenna for CB radio, single aerial. Only Globetrotter cabs brings in extra DIN slots.	<input type="checkbox"/> WLC-PKH	<input type="checkbox"/> WLC-PKH	Chassis-mounted working lamps - Side work lamp preparation and 2 position switch - Max load 280W
<input type="checkbox"/> ACCBP-AP	Front, middle & rear roof mounted accessory brackets	<input type="checkbox"/> WLC-PKH	<input type="checkbox"/> WLC-PKH	Chassis-mounted working lamps - Side work lamp preparation and 2 position switch - Max load 280W
<input type="checkbox"/> ACCBP-F	Front roof mounted accessory bracket	<input type="checkbox"/> WLC-PKH	<input type="checkbox"/> WLC-PKH	Chassis-mounted working lamps - Side work lamp preparation and 2 position switch - Max load 280W
<input type="checkbox"/> ACCBP-FM	Front & middle roof mounted accessory brackets	<input type="checkbox"/> WLC-PKH	<input type="checkbox"/> WLC-PKH	Chassis-mounted working lamps - Side work lamp preparation and 2 position switch - Max load 280W
<input type="checkbox"/> ACCBP-FR	Front & rear roof mounted accessory brackets	<input type="checkbox"/> WLC-PKH	<input type="checkbox"/> WLC-PKH	Chassis-mounted working lamps - Side work lamp preparation and 2 position switch - Max load 280W
<input type="checkbox"/> ACCBP-M	Middle roof mounted accessory bracket	<input type="checkbox"/> WLC-PKH	<input type="checkbox"/> WLC-PKH	Chassis-mounted working lamps - Side work lamp preparation and 2 position switch - Max load 280W
<input type="checkbox"/> ACCBP-R	Rear roof mounted accessory bracket	<input type="checkbox"/> WLC-PKH	<input type="checkbox"/> WLC-PKH	Chassis-mounted working lamps - Side work lamp preparation and 2 position switch - Max load 280W
<input type="checkbox"/> ACCBP-RM	Rear & middle roof mounted accessory brackets	<input type="checkbox"/> WLC-PKH	<input type="checkbox"/> WLC-PKH	Chassis-mounted working lamps - Side work lamp preparation and 2 position switch - Max load 280W
<input type="checkbox"/> STUC-B	Left and right storage compartments under cab	<input type="checkbox"/> WLC-PKH	<input type="checkbox"/> WLC-PKH	Chassis-mounted working lamps - Side work lamp preparation and 2 position switch - Max load 280W
<input type="checkbox"/> STUC-L	Left storage compartment under cab	<input type="checkbox"/> WLC-PKH	<input type="checkbox"/> WLC-PKH	Chassis-mounted working lamps - Side work lamp preparation and 2 position switch - Max load 280W
<input type="checkbox"/> STUC-R	Right storage compartment under cab	<input type="checkbox"/> WLC-PKH	<input type="checkbox"/> WLC-PKH	Chassis-mounted working lamps - Side work lamp preparation and 2 position switch - Max load 280W
<input type="checkbox"/> REFS-CW	White cab conspicuity markings mounted on cab side	<input type="checkbox"/> WLC-PKH	<input type="checkbox"/> WLC-PKH	Chassis-mounted working lamps - Side work lamp preparation and 2 position switch - Max load 280W
<input type="checkbox"/> REFS-TW	White cab conspicuity markings by packed in cab	<input type="checkbox"/> WLC-PKH	<input type="checkbox"/> WLC-PKH	Chassis-mounted working lamps - Side work lamp preparation and 2 position switch - Max load 280W
<input type="checkbox"/> REFS-TY	Yellow cab conspicuity markings by packed in cab	<input type="checkbox"/> WLC-PKH	<input type="checkbox"/> WLC-PKH	Chassis-mounted working lamps - Side work lamp preparation and 2 position switch - Max load 280W

Standard Equipment Optional Equipment

For more detailed information about cab and powertrain equipment, please refer to separate specification sheets.

For all possible options and combinations of options please consult your Volvo sales contact who can create a specification to match your requirements using the Volvo Sales Support system (VSS).

The factory reserves the right to modify design and change equipment without previous notification. The specification can vary from country to country.

MODEL RANGE

NEW FH Battery Electric 6x4 Rigid - Full Air Suspension FH 64R E

- **AESW2PK** 2 Body builder bistable el.switches (marked AUX1/AUX2) and prep. for 4 more switches
- **AUXSW-4** Wiring for 4 extra switches (from Body builder electrical centre to switch positions)

DELIVERY SERVICES

- **FMS-PK** Fleet Management System gateway - required for aftermarket telematics
- **DRUT1** Driver utility app - "My Truck" - 1 year subscription
For mobile phone, tablet, with android and IOS systems.
Only available with Volvo Connect subscription
- **DRUT2** Driver utility app - "My Truck" - 2 year subscription
For mobile phone, tablet, with android and IOS systems.
Only available with Volvo Connect subscription
- **DRUT3** Driver utility app - "My Truck" - 3 year subscription
For mobile phone, tablet, with android and IOS systems.
Only available with Volvo Connect subscription
- **DRUT4** Driver utility app - "My Truck" - 4 year subscription
For mobile phone, tablet, with android and IOS systems.
Only available with Volvo Connect subscription
- **DRUT5** Driver utility app - "My Truck" - 5 year subscription
For mobile phone, tablet, with android and IOS systems.
Only available with Volvo Connect subscription