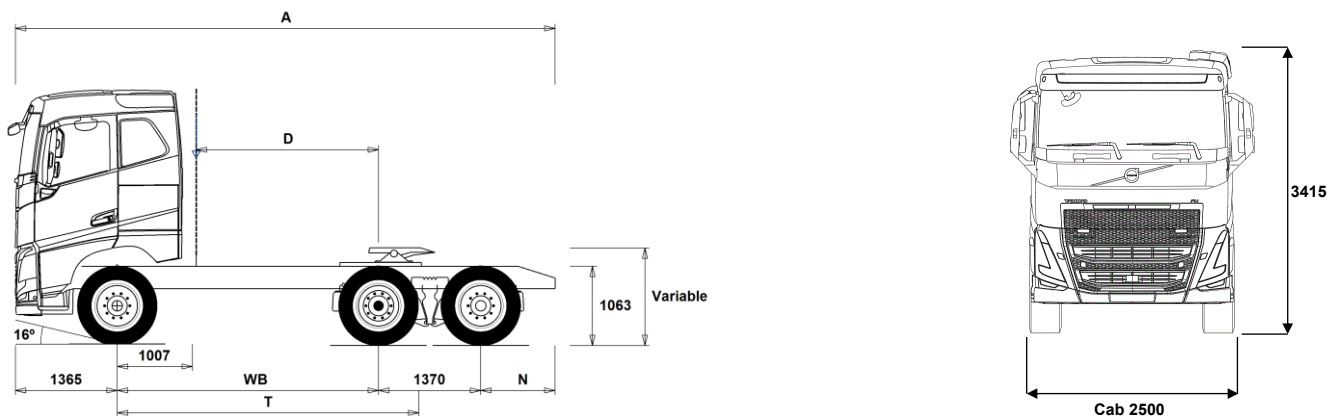


MODEL RANGE

FH 16 6x2 Tag Tractor - Rear Air Suspension FH 62T T6A



Chassis Dimensions [mm]

WB Wheelbase	3000	3200	3400	3700	3900
A Overall Chassis Length	6730	6930	6940	7240	7630
D Center of rear axle to back of cab	1943	2143	2343	2643	2843
N Rear Overhang (Min.)	805	805	805	805	805
N Rear Overhang (Max.)	995	995	805	805	995
T Theoretical Wheelbase	3541	3741	3941	4241	4441

Chassis Weights [kg]

Front Axle	5270	5295	5330	5360	5355
Rear Bogie	3170	3170	3170	3180	3190
Kerb Weight	8440	8465	8500	8540	8545

Turning Diameter [mm]

Turning Circle Diameter Kerb to Kerb	12900	13500	14100	15000	15600
Turning Circle Diameter Wall to Wall	14200	14800	15500	16400	17000

Plated Weights [kg]

	Plated	Design
Gross Vehicle Weight	26000	26500
Gross Combination Weight	44000	44000
Front Axle	7500	7500
Rear Bogie	19000	19000

Important Notes

Chassis Dimensions

Cab Height: +375 mm for CAB-HSLP, -203 mm for CAB-LSLP, +532 mm for CAB-XHES, +517 mm for CAB-XHSL.

Front Axle to Back of Cab: +289 mm for CAB-XHES.

D-measure includes a front clearance of 50 mm and for rigid trucks also a subframe of 100 mm.

Height can vary ± 20 mm for leaf and ± 10 mm for air suspension.

All dimensions are for unladen chassis and any tag axles down. Chassis height used: CHH-HIGH.

Height change when chassis height CHH-MED,FRAME300: 0 mm.

Weight and dimensions are based upon the following tyres:

Front Axle Tyres:	315/80R22.5
Drive Axle Tyres:	315/80R22.5
Trailing/Pusher Axle Tyres:	315/80R22.5

Chassis weight includes oil, water, AdBlue, 0 litres fuel and without driver. Kerb weight can vary ± 3%.

Turning diameters are theoretically calculated. Tag axle used: TA-FIXED.

Legal weights can differ from country to country.

For more detailed weight information, including optional equipment weights, ask your Volvo sales contact to enter your specification into the Volvo Weight Information system (WIS).

Do NOT use this drawing for bodybuilding. Refer to Volvo Bodybuilder Instructions and chassis assembly drawing FH62TT6A.

MODEL RANGE

FH 16 6x2 Tag Tractor - Rear Air Suspension FH 62T T6A

TRUCK USE

- RC-ROUGH** Road conditions - On / off-road
- RC-SMOOTH** Road Conditions - Smooth

CORE COMPONENTS

- CHH-HIGH** Chassis height - High - for loading heights check the unique BEP chassis drawing attached to this quote
- CHH-MED** Chassis height - Medium - for loading heights check the unique BEP chassis drawing attached to this quote
- TAG-FIXD** Tag axle - Fixed with twin tyres on tag axle
- TAG-FIXS** Tag axle - Fixed with single tyres on tag axle
- RADT-GR** Rear air suspension, 2 axles - 1 driven/1 tag
- FH16AHSL** Cab - Aero Globetrotter sleeper, all steel safety cage design with roof mounted emergency escape hatch. Designed and built to Swedish impact and ECE R29 regulations
- FH16ALSL** Cab - Aero low sleeper, all-steel safety cage design. Built to Swedish impact and ECE R29 regulations
- FH16ASLP** Cab - Aero sleeper, all steel safety cage design with roof mounted emergency escape hatch. Designed and built to Swedish impact and ECE R29 regulations
- FH16AXHE** Globetrotter XXL sleeper cab
- FH16AXHS** Cab - Aero Globetrotter XL sleeper, all steel safety cage design with roof mounted emergency escape hatch. Designed and built to Swedish impact and ECE R29 regulations
- FH16HSL6** Cab - Globetrotter, all steel safety cage design with roof mounted emergency escape hatch. Designed and built to Swedish impact and ECE R29 regulations
- FH16LSL6** Low Sleeper Cab
- FH16SLP6** Cab - Sleeper, all-steel safety cage design with roof-mounted emergency escape hatch. Designed and built to Swedish impact and ECE R29 regulations
- FH16XHE6** Globetrotter XXL sleeper cab for heavy haulage applications only
- FH16XHS6** Cab - Globetrotter XL, all steel safety cage design with roof mounted emergency escape hatch. Designed and built to Swedish impact and ECE R29 regulations
- EU6SCR** Emission level - Euro VI step E
- D17A600** Engine - D17K600 17.3 litre developing 600hp at 1700rpm SCR & EGR. Peak torque 3000Nm at 850-1450rpm.
- D17A700** Engine - D17K700 17.3 litre developing 700hp at 1600 to 1800rpm SCR & EGR. Peak torque 3400Nm at 950-1450rpm.
- D17A780** Engine - D17K780 17.3 litre developing 780hp at 1700rpm SCR & EGR. Peak torque 3800Nm at 1000-1200rpm.
- DIESEL** Fuel Type - Diesel
- EBR-EPG** Engine brake type - Exhaust brake controlled by steering column switch
- EBR-VEB+** Engine brake type - Volvo engine brake + and exhaust pressure governor, enhanced performance from additional exhaust rocker control. Retardation 375kW
- ATO3112** Gearbox - ATO3112 12-speed I-Shift overdrive automated mechanical, suitable for gross train weights up to 60tonne. Refer to sales engineering when used in conjunction with a PTO
- ATO3512** Gearbox - ATO3512 12-speed I-shift automated mechanical, suitable for gross train weights up to 60 tonne. Refer to sales engineering when used in conjunction with a PTO
- ATO3812** Gearbox - ATO3812 12-speed I-Shift overdrive automated mechanical, suitable for gross train weights up to 60tonne. Refer to sales engineering when used in conjunction with a PTO
- ASO-C** Crawler gear -

ASO-ULC

RSH1370F

RSS1352B

RSS1370B

RSS1370C

PACKAGES

NCAP2024

WEIGHTO

AIRFLOW

DRIV-EXT

1LIVIN++

1LIVING

1LIVING+

2LIVIN++

2LIVING

2LIVING+

INFOHIGH

SAFE-EXT

SAFE-SEL

COOLCM22

CHASSIS

FST-AIR

FST-PAR

FST-PAR3

FST-PL1

FSLs-BAS

FSLs-HI

FAL10.0

FAL7.5

FAL8.0

FAL8.5

FAL9.0

FSTAB

FSTAB2

FSTAB3

RAL19

RAL20.5

RAL22.5

RSTAB1

RSTAB2

RSTAB3

RALIM105

RALIM115

RALIM95

ASF-DL1

ACTST-TO

ASFE-BAS

ASFE-OG

Ratio direct top gearbox 19:1
Ratio Overdrive gearbox 17:1
Ultra low crawler and crawler gear -
Ratios direct top gearbox 32:1 and 19:1
Ratios Overdrive box 32:1 and 17:1

Drive axle - RSH1370F 13-tonne hub reduction with differential lock - design GCW 70 tonne
Drive axle - RSS1352B single reduction 13 tonne with differential lock - design GCW 52 tonne
Drive axle - RSS1370B single reduction 13 tonne with differential lock - design GCW 70 tonne
Drive axle - RSS1370C single reduction 13 tonne with differential lock - design GCW 70 tonne

Euro NCAP safety package - Advanced driver assist safety package with 5 star rating equivalence

Weight optimisation package

Air flow package including roof and side air deflectors plus chassis skirts

Cab package - Drive Extended

Sleep & Resting Package - Living one-bed ++

Sleep & Resting Package - Living one-bed

Sleep & Resting Package - Living one-bed +

Sleep & Resting Package - Living two-bed ++

Sleep & Resting Package - Living two-bed

Sleep & Resting Package - Living two-bed +

Media Information Platform - Medium level

Safety Package - Extended

Safety Package - Select

Energy optimization++ package

Front suspension type - Air

Front suspension type - 2 leaf parabolic springs

Front suspension type - 3 leaf parabolic springs

Front suspension type - Lightweight 2 leaf parabolic springs - top leaf steel - lower composite

Front suspension levelling - basic stroke

Front suspension levelling - high stroke for demount operations - check with bodybuilder

Front axle design capacity - 10 tonne - check tyre capacity

Front axle design capacity - 7.5 tonne

Front axle design capacity - 8.0 tonne - check tyre capacity

Front axle design capacity - 8.5 tonnes

Front axle design capacity - 9.0 tonne - check tyre capacity

Front anti-roll bar - Normal stiffness

Front anti-roll bar - Medium stiffness

Front anti-roll bar - High stiffness

Rear bogie design capacity - 19 tonne

Rear bogie design capacity - 20.5 tonne

Rear bogie design capacity - 22.5 tonne

Rear anti-roll bar - Normal stiffness

Rear anti-roll bar - Medium stiffness

Rear anti-roll bar - Stiff

Rear-axle load limiter - 10.5 tonne - speed controlled

Rear-axle load limiter -11.5 tonne - speed controlled

Rear-axle load limiter - 9.5 tonne

Air suspension with 1 driving level

Active Steering- Volvo Dynamic Steering - VDS - with extra electronic pump and torque overlay

Active steering feature - Basic - Volvo Dynamic Steering - VDS - only

Active steering feature - Volvo Dynamic Steering - VDS - with stability assist - oversteer

Standard Equipment

Optional Equipment

For more detailed information about cab and powertrain equipment, please refer to separate specification sheets.

For all possible options and combinations of options please consult your Volvo sales contact who can create a specification to match your requirements using the Volvo Sales Support system (VSS).

The factory reserves the right to modify design and change equipment without previous notification. The specification can vary from country to country.

MODEL RANGE

FH 16 6x2 Tag Tractor - Rear Air Suspension FH 62T T6A

<ul style="list-style-type: none"> <input type="checkbox"/> ASFE-PO Active steering feature - Volvo Dynamic Steering - VDS - with personal settings and stability assist <input type="checkbox"/> ASFE-PS Active steering feature - Volvo Dynamic Steering - VDS - with personal settings <input type="checkbox"/> PSP-FIX Power steering pump - Fixed displacement <input type="checkbox"/> PSP-VAR Power steering pump - Variable displacement <input checked="" type="checkbox"/> PSP-VAR2 Power steering pump - Variable displacement with electronic control <input checked="" type="checkbox"/> EBS-MED Brake package - EBS medium including "hill" hold function <input checked="" type="checkbox"/> RST-AIR Rear suspension type - Air <input type="checkbox"/> RST-AIR4 Rear suspension type - Air with reinforced air bellows for heavier loads <input type="checkbox"/> RST-AIR6 Rear suspension type - Air with reinforced air bellows for heavier loads at higher temperatures <input type="checkbox"/> FRAME266 Chassis frame section external height - 266 mm <input checked="" type="checkbox"/> FRAME300 Chassis frame section external height - 300 mm <input type="checkbox"/> FST6565 Chassis frame thickness - 6.5 mm web and flange <input type="checkbox"/> FST7070 Chassis frame thickness - 7 mm web and flange <input checked="" type="checkbox"/> FST8080 Chassis frame thickness - 8 mm web and flange <input type="checkbox"/> FIL-EEEB Chassis frame inner liner - From the end of the engine to the end of the bogie <input checked="" type="checkbox"/> FIL-TXEB Chassis frame inner liner - From gearbox member to the end of the bogie <input type="checkbox"/> BBOX-EF Battery box position - End of the frame in rear overhang <input checked="" type="checkbox"/> BBOX-L Battery box position - Left hand side <input type="checkbox"/> BATS-D Dual energy battery system - 2 living batteries and 2 starter batteries. <input checked="" type="checkbox"/> BATS-S Single energy battery system (2 batteries) <input type="checkbox"/> 2BAT210B Battery Capacity - 2 x 210 Ah - Gel type <input checked="" type="checkbox"/> 2BAT210C Battery Capacity - 2 x 210 Ah - AGM Absorbent Glass-fibre Material type <input checked="" type="checkbox"/> BATTAMP Battery management - Voltage and current gauge <input type="checkbox"/> BATTIND Battery management - Voltage, current and charge indicators <input type="checkbox"/> ADR2 ADR Adaptation - For transportation of dangerous goods on the road - Note does NOT include safe loading pass package if required this is quoted separately <input type="checkbox"/> MSWI-A Battery master switch - ADR switch circuit shut down <input checked="" type="checkbox"/> MSWI-R Battery master switch - Key fob operated remote controlled <input checked="" type="checkbox"/> R330A71 Right fuel tank - 330litre aluminium diameter 710mm Min volume 150l Max volume 810l <input checked="" type="checkbox"/> UL-FUEL Left fuel tank - Without Min volume 160l Max volume 770l <input type="checkbox"/> ADTP-BC Adblue tank position - Behind and under the cab on the right-hand side <input type="checkbox"/> ADTP-L Adblue tank position - Chassis mounted on the left-hand side <input checked="" type="checkbox"/> ADTP-R Adblue tank position - Chassis mounted on the right-hand side <input type="checkbox"/> ADB048 Plastic AdBlue tank - 48 litre <input checked="" type="checkbox"/> ADB064 Plastic AdBlue tank - 64 litre <input type="checkbox"/> ADB065 Plastic AdBlue tank - 65 litre under/behind the cab <input type="checkbox"/> ADB068 Plastic AdBlue tank - 68 litre <input type="checkbox"/> ADB083 Plastic AdBlue tank - 83 litre <input type="checkbox"/> ADB090 Plastic AdBlue tank - 90 litre <input type="checkbox"/> ADB099 Plastic AdBlue tank - 99 litre under/behind the cab <input type="checkbox"/> ADB100 Plastic AdBlue tank - 100 litre <input type="checkbox"/> ADB112 Plastic AdBlue tank - 112 litre <input type="checkbox"/> ADTC-BF AdBlue tank cover with satin alloy look decorative cover <input checked="" type="checkbox"/> FCAP-L Diesel and AdBlue filler cap - Locking <input checked="" type="checkbox"/> FUFF-AS Fuel filler - Anti-spill device <input type="checkbox"/> FUFF-ATS Fuel filler - Anti-spill & anti-syphon device <input checked="" type="checkbox"/> ESH-LEFT Exhaust - Horizontal silencer - left outlet <input checked="" type="checkbox"/> ESH-REAR Exhaust - Horizontal silencer - rear outlet <input type="checkbox"/> ESH-RIGH Exhaust - Horizontal silencer - right outlet 	<ul style="list-style-type: none"> <input type="checkbox"/> ESH-VERT Exhaust - Horizontal silencer - vertical outlet <input type="checkbox"/> EXST-SSP Stainless steel exhaust stack - NOT polished <input type="checkbox"/> EXST-ST Steel exhaust stack <input type="checkbox"/> WHC-FIX2 Wheel chocks - Two fixed design <input type="checkbox"/> WHC-FOL2 Two foldable wheel chocks <input type="checkbox"/> WHCP-F Wheel chock carrier position - In the front part of the vehicle <input type="checkbox"/> WHCP-M Wheel chock carrier position - Middle part of the vehicle <input type="checkbox"/> WHCP-T Wheel chock carrier position - Outer luggage locker <input type="checkbox"/> TB-L80 Toolbox 800 mm, left side <input type="checkbox"/> TB-R80 Toolbox 800 mm, right side <input type="checkbox"/> SUP-BAS Side guards - Check with bodybuilder chassis space requirements <input type="checkbox"/> SUP-LOW EC approved low chassis side guards <input type="checkbox"/> CHAIN-S Snow chains <input type="checkbox"/> HOOK-SC Snow chain hooks <input checked="" type="checkbox"/> TOWF-NO1 Front towing device - One detachable - stored in cab <input type="checkbox"/> TOWF-NO2 Front towing device - Two detachable - stored in cab <input type="checkbox"/> TOWR-ONE Towing hitch attached to rear crossmember <input type="checkbox"/> TREL15 Trailer electrical connection - Single 15 pin - ADR certified <input type="checkbox"/> TREL7 7 pole - 24N trailer electrical suzie <input checked="" type="checkbox"/> TREL7-7 Trailer electrical connection - 2 x 7 pin - 24N and 24S <input type="checkbox"/> TBC-DUO Trailer brake connections - Duomatic type <input type="checkbox"/> TBC-EC Trailer brake connections - EC palm coupling connectors <input checked="" type="checkbox"/> TBC-GBR Trailer brake connections - 'C' and 'CA' type <input checked="" type="checkbox"/> TRBR-STA Stationary trailer brake control <input type="checkbox"/> TRB-STRE Stretch Brake - Automatic low speed trailer brake activation to avoid jack-knifing and improve steerability <input checked="" type="checkbox"/> RFEND-B Rear mud wings - Three piece EC approved and spray flaps <input checked="" type="checkbox"/> RFH-BAS Basic rear wing height <input type="checkbox"/> RFH-HIG High rear wing height - higher wing tops <input type="checkbox"/> RFH-LOW Lower rear wing height - shallower wing tops <input type="checkbox"/> ATANK-AL Air tanks - Aluminium <input checked="" type="checkbox"/> ATANK-ST Air tanks - Steel <input checked="" type="checkbox"/> TL-LED Rear lights - LED <input checked="" type="checkbox"/> BLIGHT-E Emergency brake light
--	--

WHEELS & TYRES

<ul style="list-style-type: none"> <input type="checkbox"/> RT-AL Wheels - Howmet Alcoa brushed aluminium rims - standard holes for long stud fixing <input type="checkbox"/> RT-AL1 Wheels - Howmet Alcoa brushed aluminium rims LVL one - standard holes for long stud fixing <input type="checkbox"/> RT-AL1DU Wheels - Howmet Alcoa brushed aluminium rims LVL one - countersunk holes for short stud fixing <input type="checkbox"/> RT-ALDP Wheels - Howmet Alcoa Dura-Bright aluminium rims - standard holes for long stud fixing <input type="checkbox"/> RT-ALDPD Wheels - Howmet Alcoa Dura-Bright EVO aluminium rims - countersunk holes for short stud fixing <input type="checkbox"/> RT-ALDU Wheels - Howmet Alcoa brushed aluminium rims - countersunk holes for short stud fixing <input checked="" type="checkbox"/> RT-STEEL Wheels - Steel rims <input type="checkbox"/> WCAP Aerodynamic hub caps <input type="checkbox"/> SPWT-D Spare wheel & tyre with rear tyre pattern <input type="checkbox"/> SPWT-F Spare wheel & tyre with front tyre pattern <input type="checkbox"/> SWCP-LF Spare wheel carrier on left side of chassis ahead of rear axle <input type="checkbox"/> SWCP-RF Spare wheel carrier on right side of chassis ahead of rear axle <input type="checkbox"/> SWCP-T Spare wheel supplied temporarily strapped to chassis <input type="checkbox"/> SWCP-TP Temporary spare wheel carrier on top of chassis frame <input type="checkbox"/> JACK-12T 12 tonne bottle jack <input type="checkbox"/> JACK-15T 15 tonne bottle jack <input type="checkbox"/> JACK-20T 20 tonne bottle jack <input checked="" type="checkbox"/> TOOL-BAS Toolkit - Basic <input type="checkbox"/> TOOLKIT Toolkit - Complete

Standard Equipment Optional Equipment

For more detailed information about cab and powertrain equipment, please refer to separate specification sheets.

For all possible options and combinations of options please consult your Volvo sales contact who can create a specification to match your requirements using the Volvo Sales Support system (VSS).

The factory reserves the right to modify design and change equipment without previous notification. The specification can vary from country to country.

MODEL RANGE

FH 16 6x2 Tag Tractor - Rear Air Suspension FH 62T T6A

- INFLAHOS** Tyre inflation hose
- GAUGE-TP** Tyre pressure gauge
- DRIVELINE EQUIPMENT**
- **TRAP-HD** Reinforced gearbox application
- **DRM-BE** Drive mode - Balanced & Economy
- **PVT-MTM** I-See Predictive Cruise Control - using map-based topography information with lower operating settings
- CRUIS-E** Cruise control - with I-roll and I-cruise, controls in steering wheel
- **CRUIS-E5** Eco torque software - Improved economy mode. Fuel economy optimized cruise control for I-Save
- AMSO-AUT** Enhanced I-shift software with manual shift available in auto mode and kickdown facility on accelerator pedal
- AVO-ENH** I-Shift application software - Construction and off road applications
- APF-ENH** I-shift enhanced PTO functions
- RET-TH** Gearbox mounted retarder
- TC-MAOH2** Extra high performance transmission oil cooler - air to oil with front mounted radiator
- **TC-MWO** Basic transmission oil cooler - water to oil
- 2COM1100** Air compressor - Two-cylinder 1100 litres per minute
- **2COMP900** Air compressor - Two-cylinder 900 litres per minute
- CLU-AIRC** Clutchable air compressor
- AIRIN-FR** Front air intake fitted to the underside of cab engine tunnel
- **AIRIN-HI** Air intake - Roof-mounted behind cab on the left-hand side
- AIRIN-LO** Low level air intake behind cab on left hand side
- ACL1ST-S** Air filter - two-stage element
- 24A150BL** Alternator capacity - 150 amp
- **24A180BL** Alternator capacity - 180 amp
- 24AL150B** Alternator capacity - 150 amp
- CCV-C** Closed crankcase engine ventilation
- **CCV-OX** Closed crankcase ventilation for cold markets
- **PRIM-EL** Electrical priming pump
- AF-R** Hot fuel recirculation heated fuel filter
- **FUEFE2SW** Small engine mounted dual fuel filter with water separator
- EST-AID** Engine starting aid -Preheating element in the air inlet manifold
- 220EBH15** 220V/1.5Kw electric engine block heater
- PTER-100** Engine power-take-off - Rear-mounted with DIN100/ISO7646 flange
- PTER-DIN** Engine power-take-off - Rear-mounted with DIN5462 (female) splined shaft for a close-coupled pump
Models with 3 steering axles will use this to drive the steering pump (AUXPSP)
- PTER1400** Engine power-take-off - Rear-mounted with SAE 1410 flange
- HPE-F101** Parker F1-101, engine mounted, fixed displacement, single flow, engine mounted hydraulic pump
- HPE-F41** Parker F1-41, engine mounted, fixed displacement, single flow, engine mounted hydraulic pump
- HPE-F51** Parker F1-51, engine mounted, fixed displacement, single flow, engine mounted hydraulic pump
- HPE-F61** Parker F1-61, engine mounted, fixed displacement, single flow, engine mounted hydraulic pump
- HPE-F81** Parker F1-81, engine mounted, fixed displacement, single flow, engine mounted hydraulic pump
- HPE-T53** Parker F2-53/53, engine mounted, Fixed displacement, Twin flow engine mounted hydraulic pump
- HPE-T70** Parker F2-70/35, engine mounted, Fixed displacement, Twin flow engine mounted hydraulic pump
- HPE-V45** Parker VP1-45, variable displacement, single flow, engine mounted hydraulic pump
- HPE-V75** Parker VP1-75, variable displacement, single flow, engine mounted hydraulic pump
- PTR-D** Gearbox PTO for plug-in pump, 0.71xeng speed
- PTR-DH** Gearbox driven high speed PTO for one plug-in hydraulic pump
- PTR-DM** Gearbox driven medium speed PTO for one plug-in hydraulic pump
- PTR-F** Gearbox driven PTO with rear flange connection
- PTR-FH** Gearbox driven high speed PTO with SAE drive flange
- PTR-FL** Gearbox driven low speed PTO with SAE drive flange
- PTRD-D** Gearbox driven HIGH SPEED PTO for two plug-in hydraulic pumps
- PTRD-D1** PTRD-D1 Gearbox driven HIGH SPEED PTO (1 SAE flange & 1 plug-in hydraulic pump)
- PTRD-D2** Gearbox driven HIGH SPEED PTO (2 SAE flanges & 1 plug-in hyd pump)
- PTRD-F** PTO with 1 DIN + 1 flange connection rear, manual gearbox
- HPG-F101** Gearbox mounted hydraulic pump - Parker F1-101 hydraulic pump gearbox mounted
- HPG-F41** Gearbox mounted hydraulic pump - Parker F1-41 gearbox mounted, fixed displacement, single flow
- HPG-F51** Gearbox mounted hydraulic pump - Parker F1-51 gearbox mounted, fixed displacement, single flow
- HPG-F61** Gearbox mounted hydraulic pump - Parker F1-61 gearbox mounted, fixed displacement, single flow
- HPG-F81** Gearbox mounted hydraulic pump - Parker F1-81 gearbox mounted, fixed displacement, single flow
- STWPOS-L** Steering wheel position - LEFT-HAND DRIVE
- **STWPOS-R** Steering wheel position - RIGHT-HAND DRIVE
- **STWM-LE** Steering wheel - Leather
- **STGW-AD2** Steering wheel adjustment - Neck tilt, column height and angle
- **STGW-ADJ** Steering wheel adjustment - Column height and angle
- **AIRBAG** Driver air bag
- **DRC-AMII** DPF Regeneration control switch - for manual and switching off regeneration
- **1DAYDIG4** Smart tachograph - Continental VDO 4.1 version 2 - legal demand from 21/08/2023
- ARSL** Additional road speed limit - switch in dashboard
- **ESP-BAS1** Electronic Stability Control ESC
- ESPC-RO** Additional ESC functions - Reduced / Off
- HWSS-ACB** Forward collision warning with adaptive cruise control and AEBS advanced emergency brake system
- **HWSS-FCB** Forward collision warning with AEBS advanced emergency brake system
- **LSS-DW** Lane departure warning system
- LSS-DW3** Lane departure warning system with pilot assist
- **LCS4** Side Collision Avoidance Support - Passenger and driver side
- **LCS5** Side Collision Avoidance Support - Active support with emergency brake on passenger side. Collision warning on passenger and driver side
- **DAS-W** Driver Alert Support system
- RSENS-W** Rain sensing windscreen wipers
- **CU-ECC** Cab climate Unit - Electrically controlled air conditioning with sun sensor
- CU-ECC2** Cab climate Unit - Electrically controlled air conditioning with a carbon filter, sun, mist, and air quality sensor
- **IGT-BUT** Vehicle starting - Push-button
- **IMMOBIL** Immobiliser
- ALARM-E** Vehicle alarm - Cab plus external sensor for body/trailer
- AUD-EXT** Extended audio - Amplifier
- PHONE-PK** Telephone preparation kit (antenna, antenna attachm. cable incl.)

■ Standard Equipment □ Optional Equipment

For more detailed information about cab and powertrain equipment, please refer to separate specification sheets.

For all possible options and combinations of options please consult your Volvo sales contact who can create a specification to match your requirements using the Volvo Sales Support system (VSS).

The factory reserves the right to modify design and change equipment without previous notification. The specification can vary from country to country.

MODEL RANGE

FH 16 6x2 Tag Tractor - Rear Air Suspension FH 62T T6A

<input type="checkbox"/> ISUNS-BS	Side sun visor - Driver & passenger side	<input type="checkbox"/> MATL-FI	Lower mattress - Firm pocket sprung
<input checked="" type="checkbox"/> ISUNS-DS	Side sun visor - Driver-side	<input type="checkbox"/> MATL-FI4	Lower mattress - Firm, memory foam, 2000x700x130 mm
<input type="checkbox"/> ISUNF-RE	Electrically operated textile interior sun blind	<input checked="" type="checkbox"/> MATL-SF	Lower mattress - Flexi-zone semi-firm, pocket springs up to 100kg - 16 stone
<input checked="" type="checkbox"/> ISUNF-RM	Manually operated textile interior sun blind	<input type="checkbox"/> OLMAT-BA	Mattress overlay protector - 35mm thick
<input type="checkbox"/> CSPL-BX	Lower center dash open storage box	<input checked="" type="checkbox"/> OLMAT-PR	Mattress overlay protector - Premium 50mm thick
<input checked="" type="checkbox"/> CSPL-BXD	Lower centre dash drawer	<input type="checkbox"/> TBK60AD	Top bunk - Height adjustable foldable 600 x 1900mm
<input type="checkbox"/> ADFS	Two extra DIN slots in front shelf - can be fitted with card or drawer available as an accessory	<input type="checkbox"/> TBK60F	Top bunk - Fixed foldable 600 x 1900mm
<input checked="" type="checkbox"/> BUPALARM	Reverse alarm	<input type="checkbox"/> TBK70AD	Top bunk - Height adjustable foldable 700 x 1900mm
<input type="checkbox"/> RTOLL-PK	Road toll PREPARATION kit for trucks operating with "Toll Collect" in Germany	<input type="checkbox"/> TBK70F	Top bunk - Fixed foldable 700 x 1900mm
<input type="checkbox"/> LOADIND	Load indicator with central dashboard display	<input type="checkbox"/> PH-CAB2	Cab parking heater -1.8kW Air to air
<input type="checkbox"/> REMC-MF	Multi-functio wireless remote control	<input type="checkbox"/> PH-ENGCA	Cab parking heater - Engine and cab
<input type="checkbox"/> FIREXT3S	Fire extinguisher - 3kg mounted on the seat base	<input type="checkbox"/> CPC-ADV	I-ParkCool - Advanced cab parking cooler with 120V DC electrical compressor
<input type="checkbox"/> WARNVEST	High visibility warning vest - No sleeves	<input checked="" type="checkbox"/> SLCP-BAS	Sleeper control panel - Basic with switches for interior light, night heater, roof hatch and door lock
<input type="checkbox"/> AIDKIT	First aid kit - Legal demand for EU markets including delivery to EU bodybuilder	<input type="checkbox"/> SLCP-LUX	Sleeper control panel - Luxury with switches for interior light, night heater, roof hatch, door lock, alarm clock, window and radio
<input type="checkbox"/> AIDKIT1B	First aid kit - Legal demand for trucks transiting Germany	<input type="checkbox"/> SAFE	Driver's Safe Box
<input type="checkbox"/> WARNLAMP	Portable warning lamp	<input type="checkbox"/> RUS-BAS	Rear cab upper storage - 300 mm high
<input type="checkbox"/> LAMP-IN	Inspection lamp	<input type="checkbox"/> RUS-HIG	Rear cab upper storage - 440 mm high - volume 245 litres
<input type="checkbox"/> BULBKIT	Bulb and fuse kit	<input type="checkbox"/> TABLE	Bunk table - Folding and height adjustable fitted on lower bunk
<input checked="" type="checkbox"/> WRITEPAD	Writing pad	<input type="checkbox"/> REFR-RUS	Fridge - 28 litre rear upper wall mounted with dividers
<input checked="" type="checkbox"/> DST-CF4	Driver seat - Suspended, adjustable shock absorber, travel, backrest & lumbar controls with integrated seatbelt	<input type="checkbox"/> REFRIG	Fridge - 33 litre under-bunk mounted with freezer dividers
<input type="checkbox"/> DST-CF5	Driver seat - Suspended with adjustable shock absorber, travel, backrest, lumbar & heat controls with integrated seatbelt	<input type="checkbox"/> MICRO-PK	Microwave equipment - Wiring preparation kit for oven
<input type="checkbox"/> DST-CF6	Driver seat - Suspended with adjustable shock absorber, travel, backrest, lumbar, heat and ventilation controls with integrated seatbelt	<input type="checkbox"/> BOTH-D	Bottle holder - One under dashboard centre section
<input type="checkbox"/> DST-LUX1	Driver seat - Deluxe 1: electrical adjustment with memory function, lumbar support, heating & ventilation with integrated seatbelt	<input type="checkbox"/> BOTH-DL	Bottle holders - Two. One under dashboard centre section and one mounted to the under bunk drawer
<input type="checkbox"/> DST-LUX2	Driver seat - Deluxe 2: electrical adjustment with memory function, lumbar support & heating with integrated seatbelt	<input type="checkbox"/> BOTH-L	Bottle holder - One mounted to the under bunk drawer
<input type="checkbox"/> SBD-RED	Seat belt colour - Red	<input type="checkbox"/> COFMA-PK	Coffee maker - Preparation kit.
<input type="checkbox"/> SBPRE-DS	Driver seat belt pretensioner	<input type="checkbox"/> SOL12S	Sleeper, single, 12v outlet
<input type="checkbox"/> PST-BAS1	Passenger seat - Fixed non suspended fold up with seatbelt mounted on cab "B" post	<input type="checkbox"/> INLI-BAS	Interior light - White LEDs
<input type="checkbox"/> PST-CF4	Passenger seat - Suspended, adjustable shock absorber, travel, backrest & lumbar controls with integrated seatbelt	<input type="checkbox"/> INLI-NL	Interior light - White and red nightlight LEDs without dimmer
<input type="checkbox"/> PST-CF5	Passenger seat - Suspended with adjustable shock absorber, travel, backrest, lumbar & heat controls with integrated seatbelt	<input checked="" type="checkbox"/> INLI-NLD	Interior light - White and red nightlight LEDs with dimmer
<input type="checkbox"/> PST-RX1	Passenger seat - Fixed non suspended, features: 90-degree rotation and tilt function with seatbelt mounted on cab "B" post	<input type="checkbox"/> ARL-FLEX	Flexible reading lamps - Two "snake" type
<input type="checkbox"/> PST-STD2	Passenger seat - Fixed with backrest adjustment, non suspended with seatbelt mounted on cab "B" post	<input checked="" type="checkbox"/> RH-EE	Fixed tinted glass sky window with emergency exit
<input checked="" type="checkbox"/> PST-STD4	Passenger seat - Standard suspended with seatbelt mounted on cab "B" post	<input type="checkbox"/> RH-ER	Steel roof hatch - Electrically operated, rear opening with emergency exit
<input type="checkbox"/> SBPRE-PS	Passenger seat belt pretensioner	<input type="checkbox"/> RH-ETR	Tinted glass roof hatch - Electrically operated, rear opening with emergency exit
<input checked="" type="checkbox"/> ARMRE-BB	Armrests - Two on both driver & passenger seats	<input type="checkbox"/> RH-MTR	Tinted glass roof hatch - Manually operated, rear opening with emergency exit
<input checked="" type="checkbox"/> ARU-LEA	Armrest upholstery - Leather	<input checked="" type="checkbox"/> GLAS-TIN	Cab windows - Tinted
<input checked="" type="checkbox"/> GRABHI-L	Instep cab grab handle - Leather finish	<input type="checkbox"/> SWIND-BS	Cab side window - On both sides behind 'B' post
<input type="checkbox"/> FMAT-RUB	Footwell floor mats - Rubber	<input checked="" type="checkbox"/> VANMIR	Vanity mirror - In front shelf
<input checked="" type="checkbox"/> FMAT-TX2	Footwell floor mats - Two sets, Rubber and textile with an embossed pile supplied in the cab	<input type="checkbox"/> AS-FUS	Extra shelf in front compartments
<input checked="" type="checkbox"/> LBK80F	Lower bunk - Fixed with wide middle section 815 in the centre x 2000 mm	<input type="checkbox"/> INFOT-PK	TV mounting preparation kit - Above the driver's door, includes bracket, electrical and speaker connections
<input type="checkbox"/> LBK80FRE	Lower bunk - Electrically operated recliner with wide middle section 815 in the centre x 2000 mm	CAB EXTERIOR	
<input type="checkbox"/> LBK80FRM	Lower bunk - Manually operated recliner with wide middle section 815 in the centre x 2000 mm	<input type="checkbox"/> EXTL-BAS	Basic exterior finish - Satin Volvo badges, grey grille, instep, bumper, bumper spoiler, grille, door handles mirror housing and sunvisor if specified.
		<input checked="" type="checkbox"/> EXTL-EN3	Enhanced exterior finish - Silver grille, Volvo badges and door handles. Instep, bumper and bumper spoiler in cab colour with aluminium step inserts. Mirror housings and sun visor if specified with silver accents.
		<input checked="" type="checkbox"/> DGLAS-H	Door glass - Hardened
		<input type="checkbox"/> DGLAS-L	Door glass - Laminated
		<input checked="" type="checkbox"/> BUMP-B	Front bumper - Plastic
		<input type="checkbox"/> BUMP-B2	Front bumper - Steel

Standard Equipment

Optional Equipment

For more detailed information about cab and powertrain equipment, please refer to separate specification sheets.

For all possible options and combinations of options please consult your Volvo sales contact who can create a specification to match your requirements using the Volvo Sales Support system (VSS).

The factory reserves the right to modify design and change equipment without previous notification. The specification can vary from country to country.

MODEL RANGE

FH 16 6x2 Tag Tractor - Rear Air Suspension FH 62T T6A

<input type="checkbox"/> BUMP-HD	Front bumper - Heavy duty	<input type="checkbox"/> ACCBR-F	Front roof mounted accessory bracket
<input type="checkbox"/> BUMP-SP	Front bumper spoiler	<input type="checkbox"/> ACCBR-FM	Front & middle roof mounted accessory brackets
<input type="checkbox"/> GUARD-EH	Sump and radiator guard - to protect engine and hoses	<input type="checkbox"/> ACCBR-FR	Front & rear roof mounted accessory brackets
<input checked="" type="checkbox"/> BUGNET	Radiator insect screen	<input type="checkbox"/> ACCBR-M	Middle roof mounted accessory bracket
<input type="checkbox"/> CTILT-P-E	Electrically operated hydraulic cab tilt	<input type="checkbox"/> ACCBR-R	Rear roof mounted accessory bracket
<input checked="" type="checkbox"/> CTILT-P-M	Manually operated hydraulic cab tilt	<input type="checkbox"/> ACCBR-RM	Rear & middle roof mounted accessory brackets
<input type="checkbox"/> FCABS-A	Front cab suspension - Air	<input type="checkbox"/> STUC-B	Left and right storage compartments under cab
<input checked="" type="checkbox"/> FCABS-M	Front cab suspension - Mechanical spring	<input type="checkbox"/> STUC-L	Left storage compartment under cab
<input type="checkbox"/> RCABS-A	Rear cab suspension - Air	<input type="checkbox"/> STUC-R	Right storage compartment under cab
<input checked="" type="checkbox"/> RCABS-M	Rear cab suspension - Mechanical spring	<input type="checkbox"/> RFCAR-BC	Rear mudwing carrier, back of cab
<input checked="" type="checkbox"/> HCC-INEX	Lockable front service hatch - Activated by door lock remote	<input type="checkbox"/> LADDER	Ladder back of cab
<input type="checkbox"/> MIRCFPCS	Mirrors - Electrically heated and operated main and wide-angle with manually adjusted passenger kerb and front mirror and position camera in nearside mirror arm	<input type="checkbox"/> REFS-TW	White cab conspicuity markings by packed in cab
<input type="checkbox"/> MIRCMCP	Camera monitoring and mirrors - Electrically heated and operated main and wide-angle rear view cameras with manually adjusted passenger kerb and front mirror and passenger corner pedestrian camera.	<input type="checkbox"/> REFS-TY	Yellow cab conspicuity markings by packed in cab
<input type="checkbox"/> MIRCMS	Camera monitoring and mirrors - Electrically heated and operated main and wide-angle rear view cameras with manually adjusted passenger kerb and front mirror	SUPERSTRUCTURE PREPARATIONS	
<input checked="" type="checkbox"/> MIRCINF	Mirrors - Electrically heated and operated main and wide angle and manually adjusted passenger kerb and front mirror	<input type="checkbox"/> 5WM-ASM	Fifth wheel mount - Air operated slider with 50mm L profiles
<input checked="" type="checkbox"/> AMIR-F20	Auxiliary front view mirror with a 200mm radius	<input checked="" type="checkbox"/> 5WM-ISOM	Fifth wheel mount - 50mm L profiles with 10mm ISO plate - 60mm high above chassis frame
<input type="checkbox"/> SUNV-H	External smoke grey sunvisor	<input type="checkbox"/> 5WM-LPRO	Fifth wheel mount - Direct to frame with inverted 'L'-profiles
<input type="checkbox"/> AD-ROOF	Cab roof deflector - Adjustable	<input type="checkbox"/> 5WM-MASM	Fifth wheel mount - Manual slider with 50mm L profiles
<input type="checkbox"/> AD-SIDEL	Cab side deflector - Long extension panels	<input type="checkbox"/> 5WH150	Leg-height - 150 mm
<input type="checkbox"/> AD-SIDES	Cab side deflector - Short extension panels	<input type="checkbox"/> 5WH160	Leg-height - 160 mm
<input type="checkbox"/> AD-CHASX	Chassis side skirts - extended	<input type="checkbox"/> 5WH175	Leg-height - 175 mm
<input type="checkbox"/> ADCF-F	Additional black edging on chassis side skirt	<input type="checkbox"/> 5WH185	Leg-height - 185 mm
<input checked="" type="checkbox"/> HL-LED	Headlights - LED	<input type="checkbox"/> 5WH195	Leg-height - 195mm
<input type="checkbox"/> HL-LED3	Headlights - LED Adaptive high beam	<input type="checkbox"/> 5WH200	Leg-height - 200 mm
<input checked="" type="checkbox"/> HL-CLEAN	Headlight cleaner - Washer jets	<input type="checkbox"/> 5WH205	Leg-height - 205 mm
<input type="checkbox"/> HLP-ST	Headlight protection	<input type="checkbox"/> 5WH210	Leg-height - 210 mm
<input type="checkbox"/> DRIVL2	Two spot lamps	<input type="checkbox"/> 5WH220	Leg-height - 220mm
<input type="checkbox"/> UDRIVL	Auxiliary driving lights - Without	<input type="checkbox"/> 5WH230	Leg-height - 230 mm
<input checked="" type="checkbox"/> FOGL-WC	Front fog lights	<input checked="" type="checkbox"/> 5WT-FO14	Fifth wheel - Fontaine 150SP2 pressed steel
<input type="checkbox"/> CL-STAT	Static corner lights	<input type="checkbox"/> 5WT-FO15	Fifth wheel - Fontaine 3000 lightweight cast air operated slider - for moderate duty off-road.
<input type="checkbox"/> ASL-RF2	Integrated roof spotlights - Two LED aerodynamic spot lights in Globetrotter sign box	<input type="checkbox"/> 5WT-JO10	Fifth wheel - Jost JSK 36 pressed
<input type="checkbox"/> BEACOA2F	Roof beacons - Two front roof mounted amber LED	<input type="checkbox"/> 5WT-JO8	Fifth wheel - Jost JSK 37 cast
<input type="checkbox"/> BEACOA2R	Roof beacons - Two rear roof mounted amber LED	<input type="checkbox"/> 5WT-JO9	Fifth wheel - Jost JSK 42 cast
<input type="checkbox"/> BEACON-P	Roof beacons - switch and wiring preparation only	<input type="checkbox"/> 5WT-SH	Fifth wheel - SAF-Holland/+GF+ SK-S 36.20 cast
<input type="checkbox"/> BEACONA4	Roof beacons - Four amber LED - two front/ two rear	<input checked="" type="checkbox"/> 5WLM-B	Maintenance - Basic fifth wheel - standard top plate
<input type="checkbox"/> CABPT-R1	Single outlet for roof mounted accessories	<input type="checkbox"/> 5WLM-L	Maintenance - Low maintenance with nylon top plate
<input checked="" type="checkbox"/> CABPT-R2	Twin outlets for roof mounted accessories.	<input type="checkbox"/> 5WL-S1	Fifthwheel lubrication - Locking mechanism and top plate
<input type="checkbox"/> SPOTP-F	Spotlamp preparation in front, max 280W	<input type="checkbox"/> 5WL-S2	Fifthwheel lubrication - Locking mechanism only
<input type="checkbox"/> SPOTP-R	Spotlamp preparation on roof, max 280W	<input type="checkbox"/> TCIND	Trailer connection indicator - Sensors for height, kingpin and coupling lock
<input type="checkbox"/> SPOTP-RF	Spotlamp preparation on cab roof and in cab front, max 2x280W	<input checked="" type="checkbox"/> RDECK	Catwalk - Single plate and step
<input type="checkbox"/> ROS-IL2	Preparation kit for illuminated roof sign with switch loose in cab, fit after registration	<input type="checkbox"/> RDECK-M	Catwalk - Extended with two plates and step
<input type="checkbox"/> CSGN-ENG	Engine size and power headboard logo	<input type="checkbox"/> SRWL-PK	Chassis-mounted working lamps - Side work and reverse lamp preparation and 3 position switch - Max load 280W
<input type="checkbox"/> CSGN-GTR	Cab sign logo - Volvo "Globetrotter" or "Power" sign	<input type="checkbox"/> SWL-2RW	Chassis-mounted working lamps - Two white rear mounted LED lamps
<input checked="" type="checkbox"/> HORN-F1S	Horn - Air single tone - chassis mounted	<input type="checkbox"/> SWL-PK	Chassis-mounted working lamps - Side work lamp preparation and 2 position switch - Max load 280W
<input type="checkbox"/> HORN-R2S	Horn - Air - Two roof-mounted	<input checked="" type="checkbox"/> WL-TA1W	Coupling light - LED White
<input type="checkbox"/> ANT-CBR	Roof mounted antenna for CB radio, single aerial. Only Globetrotter cabs brings in extra DIN slots.	<input type="checkbox"/> WLC-H2W	Working lamp back of cab - Two white LED high mounted at the back of cab
<input type="checkbox"/> ACCBR-AP	Front, middle & rear roof mounted accessory brackets	<input type="checkbox"/> WLC-PKH	Preparation kit, cables and switch for high mounted working lamps back of cab
		<input type="checkbox"/> WLC-PKL	Preparation kit, cables and switch for low mounted working lamps back of cab
		<input type="checkbox"/> WLC-PKLH	Preparation kit - cables and switch for low and high mounted working lamps back of cab.
		<input type="checkbox"/> ECBB-HIG	Bodybuilder module - High level body electrical centre in dash input/output module
		<input checked="" type="checkbox"/> ECBB-MED	Bodybuilder module - Medium level body electrical centre in dash input/output module
		<input type="checkbox"/> BBCHAS1	One 7-pole connector for Body builder interface
		<input type="checkbox"/> BBCHAS3	Three 7-pole connectors for Body builder interface

Standard Equipment Optional Equipment

For more detailed information about cab and powertrain equipment, please refer to separate specification sheets.

For all possible options and combinations of options please consult your Volvo sales contact who can create a specification to match your requirements using the Volvo Sales Support system (VSS).

The factory reserves the right to modify design and change equipment without previous notification. The specification can vary from country to country.

MODEL RANGE

FH 16 6x2 Tag Tractor - Rear Air Suspension FH 62T T6A

- BEPR-T2** Body builder electrical software preparation for tipper with remote control
- EXSTER** External steering control - Volvo dynamic steering and bodybuilder module prepared for external control system, installed and computer by bodybuilder
- **TD-LED** Trailer detection with LED sensing
- AUXL-SPK** Electrical preparation kit - wiring and switch for snow plough lights
- TAILPRE2** Tail lift preparation kit, wireless remote operation
- TAILPREP** Taillift preparation kit - cab switch and warning in driver display
- AESW2** Two Body builder bistable electrical switches (marked AUX1 / AUX2)
- AESW2PK** 2 Body builder bistable el.switches (marked AUX1/AUX2) and prep. for 4 more switches
- AUXSW-4** Wiring for 4 extra switches (from Body builder electrical centre to switch positions)

DELIVERY SERVICES

- **TGW-4GWL** Telematics gateway - GSM/GPRS/4G modem, LTE & WLAN
- FMS-PK** Fleet management system gateway - Required for aftermarket telematics
- DRUT1** Driver utility app - "My Truck" - 1 year subscription
For mobile phone, tablet, with android and IOS systems.
Only available with Volvo Connect subscription
- DRUT2** Driver utility app - "My Truck" - 2 year subscription
For mobile phone, tablet, with android and IOS systems.
Only available with Volvo Connect subscription
- DRUT3** Driver utility app - "My Truck" - 3 year subscription
For mobile phone, tablet, with android and IOS systems.
Only available with Volvo Connect subscription
- DRUT4** Driver utility app - "My Truck" - 4 year subscription
For mobile phone, tablet, with android and IOS systems.
Only available with Volvo Connect subscription
- DRUT5** Driver utility app - "My Truck" - 5 year subscription
For mobile phone, tablet, with android and IOS systems.
Only available with Volvo Connect subscription