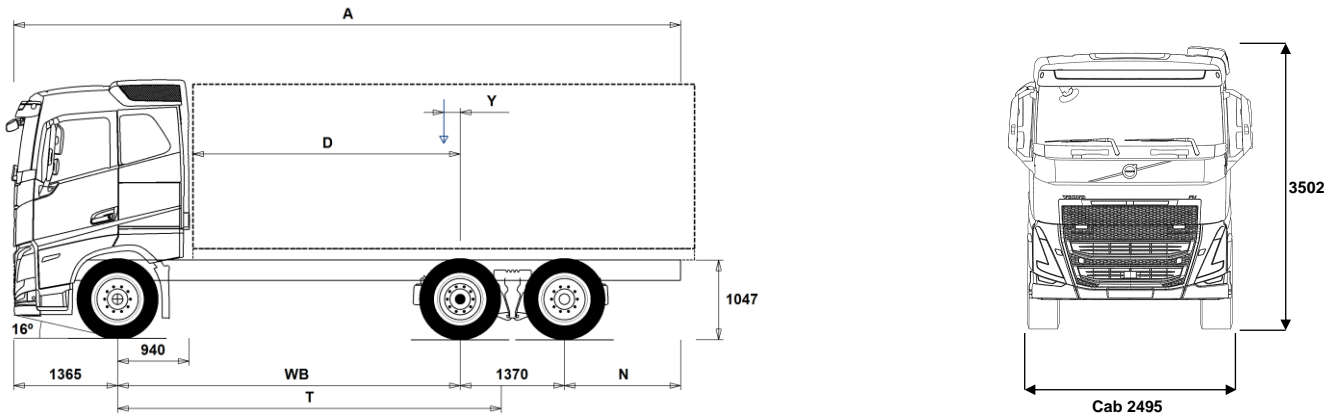


MODEL RANGE



Volvo Trucks. Driving Progress

NEW FH LNG 6x2 Tag Rigid - Rear Air Suspension - Contact Regional Business Manager



Chassis Dimensions [mm]

WB Wheelbase	4300	4600	4800	4900	5200
A Overall Chassis Length	9010	9310	9510	9610	9910
D Center of rear axle to front of body	3310	3610	3810	3910	4210
N Rear Overhang (Min.)	1225	1225	1225	1225	1225
N Rear Overhang (Max.)	1975	1975	1975	1975	1975
T Theoretical Wheelbase	4841	5141	5341	5441	5741
Y Center of Gravity for Payload (Min.)	-69	24	41	50	74
Y Center of Gravity for Payload (Max.)	202	313	341	356	397

Chassis Weights [kg]

Front Axle	5270	5050	5070	5080	5105
Rear Bogie	2890	3150	3145	3145	3135
Kerb Weight	8160	8200	8215	8225	8240
Payload (including body, driver, fuel, etc.)	17840	17800	17785	17775	17760

Turning Diameter [mm]

Turning Circle Diameter Kerb to Kerb	16800	17800	18400	18700	19600
Turning Circle Diameter Wall to Wall	18200	19100	19700	20000	21000

Plated Weights [kg]

	Plated	Design
Gross Vehicle Weight	26000	27000
Gross Combination Weight	44000	44000
Front Axle	8000	8000
Rear Bogie	19000	19000

Important Notes

Chassis Dimensions

Cab Height: +305 mm for CAB-HSLP, -283 mm for CAB-LSLP, +450 mm for CAB-XHSL.

D-measure includes a front clearance of 50 mm and for rigid trucks also a subframe of 100 mm.

Height can vary ± 20 mm for leaf and ± 10 mm for air suspension.

All dimensions are for unladen chassis and any tag axles down. Chassis height used: CHH-HIGH.

Rear overhang used for vehicle weight calculation is the maximum rear overhang (N Max.) for selected wheelbase.

Height change when chassis height CHH-MED,FRAME266: 0 mm.

Weight and dimensions are based upon the following tyres:

Front Axle Tyres:	315/80R22.5
Drive Axle Tyres:	315/80R22.5
Trailing/Pusher Axle Tyres:	315/80R22.5

Chassis weight includes oil, water, AdBlue, 0 litres fuel and without driver. Kerb weight can vary $\pm 3\%$.

Turning diameters are theoretically calculated. Tag axle used: TA-FIXED.

Legal weights can differ from country to country.

For more detailed weight information, including optional equipment weights, ask your Volvo sales contact to enter your specification into the Volvo Weight Information system (WIS).

Do NOT use this drawing for bodybuilding. Refer to Volvo Bodybuilder Instructions and chassis assembly drawing FH62RTLA2.

MODEL RANGE

NEW FH LNG 6x2 Tag Rigid - Rear Air Suspension - Contact Regional Business Manager

CORE COMPONENTS

- CHH-HIGH** Chassis Height - High - for loading heights check the unique BEP chassis drawing
- CHH-MED** Chassis Height - Medium - for loading heights check the unique BEP chassis drawing
- TA-HYSBS** Tag axle - Electro-hydraulically steered
- TAG-FIXD** Tag axle - Fixed with twin tyres on tag axle
- TAG-FIXS** Tag axle - Fixed with single tyres on tag axle
- RADT-GR** Rear air suspension, 2 axles - 1 driven/1 tag
- FH-HSLP5** Globetrotter cab - all steel safety cage design with roof mounted emergency escape hatch. Designed and built to Swedish impact and ECE R29 regulations
- FH-LSLP5** Cab - Low Sleeper - all-steel safety cage design. Built to Swedish impact and ECE R29 regulations
- FH-SLP5** Cab - Sleeper - all-steel safety cage design with roof-mounted emergency escape hatch. Designed and built to Swedish impact and ECE R29 regulations
- FH-XHSL5** Globetrotter XL cab - all steel safety cage design with roof mounted emergency escape hatch. Designed and built to Swedish impact and ECE R29 regulations
- EU6SCR** Emission level - Euro VI step D
- G13C420** G13C420 Liquid Natural Gas engine developing 420hp at 1400-1800rpm. Peak torque 2100Nm at 1000 -1400rpm.
- G13C460** G13C460 Liquid Natural Gas engine developing 460hp at 1700-1800rpm. Peak torque 2300Nm at 1100 -1300rpm.
- EBR-EPGC** Engine Brake Type - Exhaust pressure governor for I shift gearbox
- EBR-VEB+** Engine Brake Type - Volvo engine brake + and exhaust pressure governor, enhanced performance from additional exhaust rocker control. Retardation 375kW
- AT2612F** Gearbox - AT2612F 12-speed "I-shift" automated mechanical suitable for gross train weights up to 60tonne only. Refer to sales engineering when used in conjunction with a PTO
- ATO2612F** Gearbox - ATO2612F 12-speed "I-shift" overdrive automated mechanical, suitable for gross train weights up to 60tonne. Refer to sales engineering when used in conjunction with a PTO
- RSH1370F** Drive Axle - RSH1370F 13-tonne hub reduction with differential lock - design GCW 70 tonne
- RSS1344E** Drive Axle - RSS1344E single reduction with differential lock - design GCW 44 tonne
- RSS1352A** Drive Axle - RSS1352A single reduction 13 tonne with differential lock - design GCW 52 tonne
- RSS1356** Drive Axle - RSS1356 13-tonne single reduction with differential lock - design GCW 56 tonne
- RSS1370A** Drive Axle - RSS1370A single reduction 13 tonne with differential lock - design GCW 70 tonne
- RSS1370B** Drive Axle - RSS1370B single reduction 13 tonne with differential lock - design GCW 70 tonne

PACKAGES

- FUELPACK** Long Haul Fuel Economy driving package
- DRIVE5** Drive Package
- DRIVE5+** Drive + Package
- DRIVE5++** Drive ++ Package
- 1LIVIN++** Sleep & Resting Package - Living one-bed ++
- 1LIVING** Sleep & Resting Package - Living one-bed
- 1LIVING+** Sleep & Resting Package - Living one-bed +
- 2LIVIN++** Sleep & Resting Package - Living two-bed ++
- 2LIVING** Sleep & Resting Package - Living two-bed
- 2LIVING+** Sleep & Resting Package - Living two-bed +
- INFOBAS** Basic media package without secondary display
- INFODF** Media Information Platform with Dynafleet Support
- INFOMED** Media Information Platform - Medium level
- INFONAV** Media Information Platform with Navigation

Standard Equipment

Optional Equipment

For more detailed information about cab and powertrain equipment, please refer to separate specification sheets.

For all possible options and combinations of options please consult your Volvo sales contact who can create a specification to match your requirements using the Volvo Sales Support system (VSS).

The factory reserves the right to modify design and change equipment without previous notification. The specification can vary from country to country.

- INFONDF** Media Information Platform with Navigation & Dynafleet Support
- VISI5** Visibility Package
- VISI5+** Visibility plus Package
- VISI5++** Visibility ++ Package
- VISIC5** Visibility Package
- VISIC5+** Visibility plus Package
- SAFE-VE** Active Safety Package
- SAFE-VE+** Active Safety + Package
- CHASSIS**
- FST-AIR** Front suspension type - Air
- FST-PAR** Front suspension type - 2 leaf parabolic springs
- FSL5-BAS** Front suspension levelling - basic stroke
- FSL5-HI** Front suspension levelling - high stroke for demount operations - check with bodybuilder
- FAL7.5** Front axle design capacity - 7.5 tonne
- FAL8.0** Front axle design capacity - 8.0 tonne - check tyre capacity
- FAL8.5** Front axle design capacity - 8.5 tonnes
- FAL9.0** Front axle design capacity - 9.0 tonne - check tyre capacity
- FSTAB** Front anti-roll bar - Normal stiffness
- FSTAB2** Front anti-roll bar - Medium stiffness
- FSTAB3** Front anti-roll bar - High stiffness
- RAL19** Rear bogie design capacity - 19 tonne
- RAL22.5** Rear bogie design capacity - 22.5 tonne
- RSTAB2** Rear anti-roll bar - Medium stiffness
- RSTAB3** Rear anti-roll bar - Stiff
- RALIM10** Rear-axle load limiter - 10 tonne
- RALIM105** Rear-axle load limiter - 10.5 tonne - speed controlled
- RALIM115** Rear-axle load limiter -11.5 tonne - speed controlled
- RALIM95** Rear-axle load limiter - 9.5 tonne
- ASF-DL1** Air suspension with 1 driving level
- ASF-DL3** Air suspension with 3 driving levels
- ACTST-TO** Active Steering- Volvo Dynamic Steering - VDS - with extra electronic pump and torque overlay
- ASFE-BAS** Active steering feature - Basic - Volvo Dynamic Steering - VDS - only
- ASFE-OG** Active steering feature - Volvo Dynamic Steering - VDS - with stability assist - oversteer
- ASFE-PO** Active steering feature - Volvo Dynamic Steering - VDS - with personal settings and stability assist
- ASFE-PS** Active steering feature - Volvo Dynamic Steering - VDS - with personal settings
- PSP-VAR** Power steering pump - Variable displacement
- EBS-MED** Brake package - EBS medium including "hill" hold function
- RST-AIR** Rear suspension type - Air
- RST-AIR4** Rear suspension type - Air with reinforced air bellows
- FBREG-E** Front regulating brake valve, EBS
- FRAME266** Chassis frame section external height - 266 mm
- FRAME300** Chassis frame section external height - 300 mm
- FST7070** Chassis frame thickness - 7 mm web and flange
- FST8080** Chassis frame thickness - 8 mm web and flange
- FIL-EEEB** Chassis frame inner liner - From the end of the engine to the end of the bogie
- FIL-EEEF** Chassis frame inner liner - From the end of the engine to end of the frame
- FIL-TXEB** Chassis frame inner liner - From gearbox member to the end of the bogie
- FIL-TXEF** Chassis frame inner liner - From gearbox member to the end of the frame
- BBOX-L** Battery box position - Left hand side
- 2BAT210C** Battery Capacity - 2 x 210 Ah - AGM Absorbent Glass-fibre Material type

MODEL RANGE

NEW FH LNG 6x2 Tag Rigid - Rear Air Suspension - Contact Regional Business Manager

<input checked="" type="checkbox"/> BATTAMP	Battery management - Voltage and current gauge	<input type="checkbox"/> RUP-FOLD	Rear underrun protection - Aluminium folding EC approved
<input type="checkbox"/> BATTIND	Battery management - Charge indicator	<input type="checkbox"/> RFEND-B	Three piece EC approved rear mud wings and spray flaps
<input type="checkbox"/> ADR1	ADR package for transportation of dangerous goods on road (Note does NOT include safe loading pass package if required this is quoted separately)	<input type="checkbox"/> RFEND-T	Rear mud wings - Temporary on drive axle for transport delivery only
<input type="checkbox"/> ADR2	ADR Adaptation - For transportation of dangerous goods on the road - Note does NOT include safe loading pass package if required this is quoted separately	<input type="checkbox"/> RFH-BAS	Basic rear wing height
<input type="checkbox"/> MSWI-A	Battery master switch - ADR switch circuit shut down	<input type="checkbox"/> RFH-HIG	High rear wing height - higher wing tops
<input checked="" type="checkbox"/> MSWI-C	Battery master switch - Chassis mounted toggle by the battery box	<input type="checkbox"/> RFH-LOW	Lower rear wing height - shallower wing tops
<input type="checkbox"/> MSWI-R	Battery master switch - Key fob operated remote controlled	<input type="checkbox"/> AUXATNK	Auxiliary airtank
<input checked="" type="checkbox"/> R170A71	Right fuel tank - 170litre aluminium diameter 710mm Min volume 170l Max volume 170l	<input type="checkbox"/> ATANK-AL	Air tanks - Aluminium
<input checked="" type="checkbox"/> ADTP-R	AdBlue tank position - Chassis mounted on the right-hand side	<input checked="" type="checkbox"/> ATANK-ST	Air tanks - Steel
<input checked="" type="checkbox"/> ADB064	Plastic AdBlue tank - 64 litre	<input type="checkbox"/> REST-RUP	
<input checked="" type="checkbox"/> FCAP-L	Diesel and AdBlue filler cap - Locking	<input checked="" type="checkbox"/> TL-LED	Rear lights - LED
<input checked="" type="checkbox"/> FUFF-AS	Fuel filler - Anti-spill device	<input checked="" type="checkbox"/> BLIGHT-E	Emergency brake light
<input checked="" type="checkbox"/> FUFF-ATS	Fuel filler - Anti-spill & anti-syphon device		
<input checked="" type="checkbox"/> LGAS155	Left mounted 155 kilogram gas tank		
<input type="checkbox"/> LGAS205	Left mounted 205 kilogram gas tank		
<input type="checkbox"/> ESH-LEFT	Exhaust - Horizontal silencer - left outlet		
<input checked="" type="checkbox"/> ESH-REAR	Exhaust - Horizontal silencer - rear outlet		
<input type="checkbox"/> ESH-RIGH	Exhaust - Horizontal silencer - right outlet		
<input type="checkbox"/> HS-NAR	Narrow heat shield		
<input type="checkbox"/> WHC-FIX2	Wheel chocks - Two fixed design		
<input type="checkbox"/> WHC-FOL2	Two foldable wheel chocks		
<input type="checkbox"/> WHCP-F	Wheel chock carrier position - In the front part of the vehicle		
<input type="checkbox"/> WHCP-R	Wheel chock carrier position - In the rear part of the vehicle		
<input type="checkbox"/> WHCP-T	Wheel chock carrier position - Outer luggage locker		
<input type="checkbox"/> TB-R80	Toolbox 800 mm, right side		
<input type="checkbox"/> CHAIN-S	Snow chains		
<input type="checkbox"/> HOOK-SC	Snow chain hooks		
<input checked="" type="checkbox"/> TOWF-NO1	Front towing device - One detachable - stored in cab		
<input type="checkbox"/> TOWF-NO2	Front towing device - Two detachable - stored in cab		
<input type="checkbox"/> TOWMBRH	Towing member, high mounted in centre of frame, D = 190		
<input type="checkbox"/> TOWMBRL1	Towing member, low mounted under the frame		
<input type="checkbox"/> TOWMBRL2	Towing member, low and forward mounted under the frame		
<input type="checkbox"/> TOWMBRL3	Towing member, low and far forward mounted under the frame		
<input type="checkbox"/> TOWMBRM	Towing member, medium mounted in line with frame lower flange		
<input type="checkbox"/> RFEC-L	Rear frame profile - Lower flange cut for centre axle drawbar		
<input checked="" type="checkbox"/> RFEC-S	Rear frame profile - Straight cut		
<input type="checkbox"/> RFEC-U	Rear frame profile - Slight uppercut for tippers		
<input type="checkbox"/> C-RI4040	Towing coupling, Ringfeder 4040 G-150		
<input type="checkbox"/> C-RI5055	Towing coupling, Ringfeder 5055 G-150		
<input type="checkbox"/> C-RO400G	Towing coupling, Rockinger 400 G-150 for 40mm eyes		
<input type="checkbox"/> C-RO50	Rockinger RO 50 50mm for centre axle trailer		
<input type="checkbox"/> TOWR-ONE	Towing hitch attached to rear crossmember		
<input checked="" type="checkbox"/> TREL-PK	Trailer electrical preparation kit - chassis/cab wiring		
<input type="checkbox"/> TREL14	Single 14 pole electrical trailer connector		
<input type="checkbox"/> TREL15	Trailer electrical connection - Single 15 pin - ADR certified		
<input type="checkbox"/> TREL7	7 pole - 24N trailer electrical suzie		
<input type="checkbox"/> TREL7-7	Trailer electrical connection - 2 x 7 pin - 24N and 24S		
<input type="checkbox"/> TBC-DUO	Duomatic type air line connectors		
<input type="checkbox"/> TBC-EC	Trailer brakes with EC palm coupling connectors		
<input type="checkbox"/> TRBR-HCF	Full pressure hand controlled trailer brake		
<input type="checkbox"/> TRBR-STA	Stationary trailer brake control		
<input type="checkbox"/> TRB-STRE	Stretch Brake - Automatic low speed trailer brake activation to avoid jack-knifing and improve steerability		

Standard Equipment

Optional Equipment

For more detailed information about cab and powertrain equipment, please refer to separate specification sheets.

For all possible options and combinations of options please consult your Volvo sales contact who can create a specification to match your requirements using the Volvo Sales Support system (VSS).

The factory reserves the right to modify design and change equipment without previous notification. The specification can vary from country to country.

MODEL RANGE

NEW FH LNG 6x2 Tag Rigid - Rear Air Suspension - Contact Regional Business Manager

<input type="checkbox"/> AIRIN-FR	Front air intake fitted to the underside of cab engine tunnel	<input type="checkbox"/> DAS-W	Driver Alert Support system
<input checked="" type="checkbox"/> AIRIN-HI	Air intake - Roof-mounted behind cab on the left-hand side	<input type="checkbox"/> RSENS-W	Rain sensing windscreen wipers
<input type="checkbox"/> AIRIN-LO	Low level air intake behind cab on left hand side	<input type="checkbox"/> CU-ECC	Cab Climate Unit - Electrically controlled air conditioning with sun sensor
<input type="checkbox"/> ACL1ST-S	Air filter - two-stage element	<input type="checkbox"/> CU-ECC2	Cab Climate Unit - Electrically controlled air conditioning with a carbon filter, sun, mist, and air quality sensor
<input checked="" type="checkbox"/> 24AL110B	Alternator capacity - 110 amp	<input checked="" type="checkbox"/> CU-MCC	Cab Climate Unit - Manual air conditioning
<input checked="" type="checkbox"/> 24AL120B	Alternator capacity - 120 amp alternator	<input checked="" type="checkbox"/> IMMOBIL	Thatcham H2 approved immobiliser
<input type="checkbox"/> 24AL150B	Alternator capacity - 150 amp	<input type="checkbox"/> ALARM-B	Thatcham H1 approved vehicle alarm - Cab only
<input checked="" type="checkbox"/> CCV-OX	Closed crankcase ventilation for cold markets	<input type="checkbox"/> ALARM-E	Enhanced vehicle alarm - Thatcham H1 approved - Cab plus external sensor for body/trailer
<input type="checkbox"/> PRIM-MAN	Manual priming pump	<input type="checkbox"/> ALCOLOCK	Alcolock
<input checked="" type="checkbox"/> FUEFE2LW	Large engine mounted dual fuel filter with water separator	<input type="checkbox"/> AMPL400	Radio amplifier, 8 channel, 400 W with subwoofer Located in right hand external storage box
<input checked="" type="checkbox"/> EST-AID	Engine starting aid -Preheating element in the air inlet manifold	<input type="checkbox"/> BUPMON	Back up monitor - Digital reverse camera, parameter & lead supplied loose in cab.
<input type="checkbox"/> 220EBH15	220V/1.5Kw electric engine block heater	<input type="checkbox"/> PHONE-PK	Telephone preparation kit (antenna, antenna attachm. cable incl.)
<input type="checkbox"/> PTER-DIN	Engine power-take-off - Rear-mounted with DIN5462 (female) splined shaft for a close-coupled pump Models with 3 steering axles will use this to drive the steering pump (AUXPSP)	<input checked="" type="checkbox"/> WLIFT-AD	Electrical window lift, automatic up/down driver side
<input type="checkbox"/> PTR-D	Gearbox PTO for plug-in pump, 0.71xeng speed	<input checked="" type="checkbox"/> ISUNS-BS	Side sun visor - Driver & passenger side
<input type="checkbox"/> PTR-DH	Gearbox driven high speed PTO for one plug-in hydraulic pump	<input checked="" type="checkbox"/> ISUNS-DS	Side sun visor - Driver-side
<input type="checkbox"/> PTR-DM	Gearbox driven medium speed PTO for one plug-in hydraulic pump	<input type="checkbox"/> ISUNF-RE	Electrically operated textile interior sun blind
<input type="checkbox"/> PTR-F	Gearbox driven PTO with rear flange connection	<input checked="" type="checkbox"/> ISUNF-RM	Manually operated textile interior sun blind
<input type="checkbox"/> PTR-FH	Gearbox driven high speed PTO with SAE drive flange	<input checked="" type="checkbox"/> CSPL-BX	Lower center dash open storage box
<input type="checkbox"/> PTR-FL	Gearbox driven low speed PTO with SAE drive flange	<input type="checkbox"/> CSPL-BXD	Lower centre dash drawer
<input type="checkbox"/> PTRD-D	Gearbox driven HIGH SPEED PTO for two plug-in hydraulic pumps	<input type="checkbox"/> CSPU-SDR	One open storage and one drawer - behind push open lid - in upper part of the centre dash panel
<input type="checkbox"/> PTRD-D1	PTRD-D1 Gearbox driven HIGH SPEED PTO (1 SAE flange & 1 plug-in hydraulic pump)	<input checked="" type="checkbox"/> CSPU-SS	Two open storages - behind push open lid in upper part of the centre dash panel
<input type="checkbox"/> PTRD-D2	Gearbox driven HIGH SPEED PTO (2 SAE flanges & 1 plug-in hyd pump)	<input type="checkbox"/> ADFS	Two extra DIN slots in front shelf - can be fitted with card or drawer available as an accessory
<input type="checkbox"/> PTRD-F	PTO with 1 DIN + 1 flange connection rear, manual gearbox	<input checked="" type="checkbox"/> BUPALARM	Reverse alarm
<input type="checkbox"/> HPG-F101	Parker F1-101 gearbox mounted, fixed displacement, single flow, hydraulic pump	<input type="checkbox"/> RTOLL-PK	Road toll PREPARATION kit for trucks operating with "Toll Collect" in Germany
<input type="checkbox"/> HPG-F41	Parker F1-41 gearbox mounted, fixed displacement, single flow, hydraulic pump	<input type="checkbox"/> LOADIND	Load indicator with central dashboard display
<input type="checkbox"/> HPG-F51	Parker F1-51 gearbox mounted, fixed displacement, single flow, hydraulic pump	<input type="checkbox"/> REMC-MF	Multi-functio wireless remote control
<input type="checkbox"/> HPG-F61	Parker F1-61 gearbox mounted, fixed displacement, single flow, hydraulic pump	<input type="checkbox"/> FIREXT3S	Fire extinguisher - 3kg mounted on the seat base
<input type="checkbox"/> HPG-F81	Parker F1-81 gearbox mounted, fixed displacement, single flow, hydraulic pump	<input type="checkbox"/> WARNVEST	High visibility warning vest - no sleeves
<input type="checkbox"/> DTRI-SRA	Dashboard and steering wheel cover in light beige skylark. Door panels in light beige for FH and black for FH16.	<input type="checkbox"/> AIDKIT	First aid kit - Legal demand for EU markets including delivery to EU bodybuilder
<input checked="" type="checkbox"/> STWPOS-R	Steering wheel position - RIGHT-HAND DRIVE	<input type="checkbox"/> AIDKIT1B	First aid kit - Legal demand for trucks transiting Germany
<input type="checkbox"/> STWM-LE	Leather steering wheel	<input type="checkbox"/> WARNLAMP	Portable warning lamp
<input type="checkbox"/> STGW-AD2	Adjustable steering wheel with neck tilt	<input type="checkbox"/> LAMP-IN	Inspection lamp
<input checked="" type="checkbox"/> STGW-ADJ	Adjustable steering wheel	<input type="checkbox"/> BULBKIT	Bulb and fuse kit
<input checked="" type="checkbox"/> AIRBAG	SRS Driver's air bag	<input checked="" type="checkbox"/> WRITEPAD	Writing pad
<input type="checkbox"/> INST-BAS	Basic level instruments	<input checked="" type="checkbox"/> DST-CF4	Driver seat - Suspended, adjustable shock absorber, travel, backrest & lumbar controls - seatbelt mounted to the seat
<input checked="" type="checkbox"/> DRC-AMII	DPF Regeneration control switch - for manual and switching off regeneration	<input type="checkbox"/> DST-CF5	Driver seat - Suspended with adjustable shock absorber, travel, backrest, lumbar & heat controls - seatbelt mounted to the seat
<input type="checkbox"/> ARSL	Additional road speed limit - switch in dashboard	<input type="checkbox"/> DST-CF6	Driver seat - Suspended with adjustable shock absorber, travel, backrest, lumbar, heat and ventilation controls - seatbelt mounted to the seat
<input checked="" type="checkbox"/> ESP-BAS1	Electronic Stability Control	<input type="checkbox"/> DST-LUX1	Driver seat - Deluxe 1: electrical adjustment with memory function, lumbar support, heating & ventilation - seatbelt mounted to the seat
<input type="checkbox"/> ESPC-RO	ESP (Electronic Stability Program) functionality control - Reduced / Off	<input type="checkbox"/> DST-LUX2	Driver seat - Deluxe 2: electrical adjustment with memory function, lumbar support & heating - seatbelt mounted to the seat
<input type="checkbox"/> HWSS-ACB	Adaptive cruise control ACC with forward collision warning and AEBS advanced emergency brake system		
<input checked="" type="checkbox"/> HWSS-FCB	Forward collision warning with AEBS advanced emergency brake system		
<input checked="" type="checkbox"/> LSS-DW	Lane departure-warning system		
<input type="checkbox"/> LCS	Lane change support		

Standard Equipment

Optional Equipment

For more detailed information about cab and powertrain equipment, please refer to separate specification sheets.

For all possible options and combinations of options please consult your Volvo sales contact who can create a specification to match your requirements using the Volvo Sales Support system (VSS).

The factory reserves the right to modify design and change equipment without previous notification.
The specification can vary from country to country.

MODEL RANGE

NEW FH LNG 6x2 Tag Rigid - Rear Air Suspension - Contact Regional Business Manager

<input type="checkbox"/> SBD-RED	Seat belt colour - Red	<input type="checkbox"/> BOTH-L	One bottle holder mounted to the under bunk drawer
<input type="checkbox"/> SBPRE-DS	Driver seat belt pretensioner	<input type="checkbox"/> COFMA-PK	Coffee maker, preparation kit.
<input type="checkbox"/> PST-BAS1	Passenger seat - Fixed non suspended fold up with seatbelt mounted in cab	<input checked="" type="checkbox"/> INLI-BAS	Interior white LED lights - basic
<input type="checkbox"/> PST-CF4	Passenger seat - Suspended, adjustable shock absorber, travel, backrest & lumbar controls - seatbelt mounted to the seat	<input type="checkbox"/> INLI-NL	Interior white and red night LED light with no dimmer
<input type="checkbox"/> PST-CF5	Passenger seat - Suspended with adjustable shock absorber, travel, backrest, lumbar & heat controls - seatbelt mounted to the seat	<input type="checkbox"/> INLI-NLD	Interior white and red night LED light with dimmer
<input type="checkbox"/> PST-RX1	Passenger seat - Fixed non suspended, features: 90-degree rotation and tilt function with seatbelt mounted in cab	<input type="checkbox"/> ARL-FLEX	Two flexible reading lamps (snake lamps)
<input type="checkbox"/> PST-STD2	Passenger seat - Fixed with backrest adjustment, non suspended with seatbelt mounted in cab	<input checked="" type="checkbox"/> RH-EE	Fixed tinted glass sky window with emergency exit
<input checked="" type="checkbox"/> PST-STD4	Passenger seat - Standard suspended with seatbelt mounted in cab	<input type="checkbox"/> RH-ER	Steel roof hatch - Electrically operated, rear opening with emergency exit
<input type="checkbox"/> SBPRE-PS	Passenger seat belt pretensioner	<input type="checkbox"/> RH-ETR	Tinted glass roof hatch - Electrically operated, rear opening with emergency exit
<input type="checkbox"/> ARMRE-BB	Armrests - Two on both driver & passenger seats	<input type="checkbox"/> RH-MTR	Tinted glass roof hatch - Manually operated, rear opening with emergency exit
<input type="checkbox"/> ARMRE-DB	Armrests - Two on the driver seat	<input checked="" type="checkbox"/> GLAS-TIN	Tinted windows.
<input type="checkbox"/> ARMRE-PB	Armrests - Two on the passenger seat	<input type="checkbox"/> SWIND-BS	Extra side window on both sides behind "B" pillar
<input type="checkbox"/> ARU-BAS	Armrest upholstery - Vinyl	<input checked="" type="checkbox"/> VANMIR	Vanity mirror in front shelf
<input type="checkbox"/> ARU-LEA	Armrest upholstery - Leather	<input type="checkbox"/> AS-FUS	Extra shelf in front upper storage compartments
<input checked="" type="checkbox"/> GRABHI-B	Steel instep cab grab handle	<input type="checkbox"/> INFOT-PK	Preparation kit for the mounting of a flat screen TV in cab above the driver's door, includes bracket, electrical and speaker connections
<input type="checkbox"/> GRABHI-L	Leather covered instep cab grab handle	CAB EXTERIOR	
<input checked="" type="checkbox"/> FMAT-RUB	Footwell floor mats - Rubber	<input checked="" type="checkbox"/> EXTL-BAS	Basic exterior finish - Satin Volvo badges, grey grille, instep, bumper, bumper spoiler, grille, door handles mirror housing and sunvisor if specified.
<input type="checkbox"/> FMAT-TX2	Footwell floor mats - Two sets, Rubber and textile with an embossed pile supplied in the cab	<input type="checkbox"/> EXTL-EN2	Enhanced complete painted finish - Satin Volvo badges. Main grille, instep, door handles, mirror housing, and bumper in cab colour. Aluminium step inserts. Sunvisor and bumper spoiler in cab colour if specified.
<input checked="" type="checkbox"/> LBK80F	Lower fixed bunk with wide middle section 815 in the centre x 2000 mm	<input type="checkbox"/> EXTL-ENH	Enhanced exterior finish - Painted grille in cab colour with grey instep, bumper, bumper spoiler, grille, door handles mirror housing and sunvisor if specified, and aluminium step inserts
<input type="checkbox"/> LBK80FRE	Lower electrically operated recline bunk with wide middle section 815 in the centre x 2000 mm	<input checked="" type="checkbox"/> DGLAS-H	Tempered door glass
<input type="checkbox"/> LBK80FRM	Lower manually operated recline bunk with wide middle section 815 in the centre x 2000 mm	<input type="checkbox"/> DGLAS-L	Laminated door glass
<input type="checkbox"/> MATL-FI	Firm lower bunk pocket sprung mattress	<input checked="" type="checkbox"/> LOCK-REM	Door locks - Remote central locking
<input type="checkbox"/> MATL-FI4	Lower mattress - firm, memory foam, 2000x700x130 mm	<input checked="" type="checkbox"/> BUMP-B	Plastic front bumper
<input checked="" type="checkbox"/> MATL-SF	Lower flexizone mattress - semi-firm, pocket springs up to 100kg - 16 stone	<input type="checkbox"/> BUMP-B2	Steel front bumper
<input type="checkbox"/> MATL-SO	Lower flexizone mattress - soft, pocket springs up to 85kg - 13.5 stone	<input type="checkbox"/> BUMP-HD	Heavy duty front bumper
<input type="checkbox"/> OLMAT-BA	35mm mattress overlay protector	<input type="checkbox"/> BUMP-SP	Front bumper spoiler
<input type="checkbox"/> OLMAT-PR	50mm premium mattress overlay protector	<input type="checkbox"/> GUARD-EH	Engine guard to protect sump and engine hoses
<input type="checkbox"/> TBK60AD	Height adjustable foldable top bunk 600 x 1900mm	<input checked="" type="checkbox"/> BUGNET	Insect screen in front of radiator
<input type="checkbox"/> TBK60F	Fixed foldable top bunk 600 x 1900mm	<input type="checkbox"/> CTILT-P-E	Electrically operated hydraulic cab tilt
<input type="checkbox"/> TBK70AD	Height adjustable foldable top bunk 700 x 1900mm	<input checked="" type="checkbox"/> CTILT-P-M	Manually operated hydraulic cab tilt
<input type="checkbox"/> TBK70F	Fixed foldable top bunk 700 x 1900mm	<input checked="" type="checkbox"/> FCABS-A	Front cab suspension - Air
<input type="checkbox"/> PH-CAB2	1.8kW Air to air night heater	<input checked="" type="checkbox"/> FCABS-M	Front cab suspension - Mechanical spring
<input type="checkbox"/> PH-ENGCA	Engine and cab night heater	<input type="checkbox"/> RCABS-A	Rear cab suspension - Air
<input type="checkbox"/> CPC-ADV	I-ParkCool - Advanced cab parking cooler with 120V DC electrical compressor	<input checked="" type="checkbox"/> RCABS-M	Rear cab suspension - Mechanical spring
<input checked="" type="checkbox"/> SLCP-BAS	Sleeper control panel - Basic with switches for interior light, night heater, roof hatch and door lock	<input checked="" type="checkbox"/> HCC-INEX	Exterior and interior hood catch control
<input type="checkbox"/> SLCP-LUX	Sleeper control panel - Luxury with switches for interior light, night heater, roof hatch, door lock, alarm clock, window and radio	<input type="checkbox"/> MIRCFPCS	Mirrors - Electrically heated and operated main and wide-angle with manually adjusted kerb view mirror on the passenger side and position camera in nearside mirror arm.
<input type="checkbox"/> SAFE	Safe box for driver's personal items	<input type="checkbox"/> MIRCOMF	Electrically heated and operated main and wide angle mirrors and manually adjusted kerb view mirror on passenger side
<input type="checkbox"/> RUS-BAS	Rear cab upper storage - 300 mm high	<input checked="" type="checkbox"/> MIRSTD	Electrically heated main and wide angle mirrors and manually adjusted kerb view mirror on passenger side
<input type="checkbox"/> RUS-HIG	Rear cab upper storage - 440 mm high - volume 245 litres	<input checked="" type="checkbox"/> AMIR-F20	Auxiliary front view mirror with a 200mm radius
<input type="checkbox"/> TABLE	Folding and height adjustable table - on lower bunk	<input type="checkbox"/> SUNV-H	External smoke grey sunvisor
<input type="checkbox"/> REFR-RUS	Fridge - 28 litre rear upper wall mounted with dividers	<input type="checkbox"/> AD-ROOF	Roof air deflector
<input type="checkbox"/> REFRIG	Fridge - 33 litre under-bunk mounted with freezer dividers	<input type="checkbox"/> AD-SIDES	Short cab side air deflector for rigid bodywork
<input type="checkbox"/> MICRO-PK	Wiring preparation kit for microwave oven	<input checked="" type="checkbox"/> HL-BASIC	Halogen H7 head lamps
<input type="checkbox"/> BOTH-D	One bottle holder under dashboard centre section	<input type="checkbox"/> HL-BHID	High intensity Bi-Xenon head lamps
<input type="checkbox"/> BOTH-DL	Two bottle holders, one under dashboard centre section and one mounted to the under bunk drawer		

Standard Equipment

Optional Equipment

For more detailed information about cab and powertrain equipment, please refer to separate specification sheets.

For all possible options and combinations of options please consult your Volvo sales contact who can create a specification to match your requirements using the Volvo Sales Support system (VSS).

The factory reserves the right to modify design and change equipment without previous notification. The specification can vary from country to country.

MODEL RANGE

NEW FH LNG 6x2 Tag Rigid - Rear Air Suspension - Contact Regional Business Manager

- **HL-DBL** Bi-Xenon high intensity discharge and dynamic head lamps. Dipped beam follows the road, activated by a signal from the steering system.
- **HL-CLEAN** Head lamp cleaner - washer jets
- **HLP-ST** Headlamp protection
- **HL-ADJ** Headlight adjustment - Switch in cab
- **DRIVL2** Two spot lamps
- **UDRIVL** Without auxiliary driving lights
- **FOGL-WC** Front fog lights
- **CL-STAT** Static corner lights
- **ASL-RF2** Two Hella H11 70W spotlamps in sign box - only available with the basic headlight and no lower driving lights.
- **BEACOA2F** Roof beacons - Two front roof mounted amber LED
- **BEACOA2R** Roof beacons - Two rear roof mounted amber LED
- **BEACON-P** Roof beacons - wiring preparation only
- **BEACONA4** Roof beacons - Four amber LED - two front/ two rear
- **CABPT-R1** Single outlet for roof mounted accessories
- **CABPT-R2** Twin outlets for roof mounted accessories.
- **SPOTP-F** Spotlamp preparation in front, max 280W
- **SPOTP-R** Spotlamp preparation on roof, max 280W
- **SPOTP-RF** Spotlamp preparation on cab roof and in cab front, max 2x280W
- **ROS-IL2** Preparation kit for illuminated roof sign with switch loose in cab, fit after registration
- **CSGN-GTR** "Globetrotter" headboard logo
- **HORN-F1S** Horn - Air single tone - chassis mounted
- **HORN-R2S** Horn - Air - Two roof-mounted
- **ANT-CBR** Roof mounted antenna for CB radio, single aerial
- **ACCBR-AP** Front, middle & rear roof mounted accessory brackets
- **ACCBR-F** Front roof mounted accessory bracket
- **ACCBR-FM** Front & middle roof mounted accessory brackets
- **ACCBR-FR** Front & rear roof mounted accessory brackets
- **ACCBR-M** Middle roof mounted accessory bracket
- **ACCBR-R** Rear roof mounted accessory bracket
- **ACCBR-RM** Rear & middle roof mounted accessory brackets
- **STUC-B** Left and right storage compartments under cab
- **STUC-L** Left storage compartment under cab
- **STUC-R** Right storage compartment under cab
- **REFS-TW** White cab conspicuity markings by packed in cab
- **REFS-TY** Yellow cab conspicuity markings by packed in cab
- **BEPR-T2** Body builder electrical software preparation for tipper with remote control
- **EXSTER** External steering control - Volvo dynamic steering and bodybuilder module prepared for external control system, installed and computer by bodybuilder
- **TD-LED** Trailer detection with LED sensing
- **FBA-BTF** Lower front body attachments for torsionally flexible - platform body
- **FBA-BTSF** Lower front body attachments for torsionally semi-flexible body - box or curtainsider
- **HBA-FSFB** Holes for body attachments - flexible/semi-flexible body
- **HBA-SB** Holes for body attachments - stiff body
- **RBA-T2** Lower rear body attachments for helper frame
- **CRANEPK1** Crane plates mounted to frame, for cranes up to 10 tonne metre capacity
- **CRANEPK2** Crane plates mounted to frame, for cranes up to 20 tonne metre capacity
- **CRANEPK4** Crane plates mounted to frame, for cranes up to 40 tonne metre capacity
- **AUXL-SPK** Electrical preparation kit - wiring and switch for snow plough lights
- **TAILPRE2** Tail lift preparation kit, wireless remote operation
- **TAILPREP** Taillift preparation kit - cab switch and warning in driver display
- **AESW2** Two Body builder bistable electrical switches (marked AUX1 / AUX2)
- **AESW2PK** 2 Body builder bistable el.switches (marked AUX1/AUX2) and prep. for 4 more switches
- **AUXSW-4** Wiring for 4 extra switches (from Body builder electrical centre to switch positions)

DELIVERY SERVICES

- **TGW-4GWL** Telematics gateway - GSM/GPRS/4G modem, LTE & WLAN
- **FMS-PK** Fleet Management System gateway
- **DRUT2** Driver utility app - "My Truck" - two-year subscription For mobile phone, tablet, with android and IOS systems. Only available with Volvo Connect subscription

SUPERSTRUCTURE PREPARATIONS

- **SRWL-PK** Chassis-mounted working lamps - Side work and reverse lamp preparation and 3 position switch - Max load 280W
- **SWL-2FW** Chassis-mounted working lamps - Two white front-mounted LED lamps
- **SWL-2RW** Chassis-mounted working lamps - Two white rear-mounted LED lamps
- **SWL-4W** Chassis-mounted working lamps - Four white front and rear-mounted LED lamps
- **SWL-PK** Chassis-mounted working lamps - Side work lamp preparation and 2 position switch - Max load 280W
- **WLC-H2W** Two H3/70W white working lamps high mounted on the back of cab
- **WLC-PKCH** Working lamp back of cab - Preparation kit - cables and switch
- **WLC-PKH** Preparation kit, cables and switch for high mounted working lamps back of cab
- **WLC-PKL** Preparation kit, cables and switch for low mounted working lamps back of cab
- **WLC-PKLH** Preparation kit - cables and switch for low and high mounted working lamps back of cab.
- **ECBB-HIG** Body builder electrical centre with body builder module
- **BBCHAS1** One 7-pole connector for Body builder interface
- **BBCHAS3** Three 7-pole connectors for Body builder interface



Volvo Truck Corporation
volvotrucks.com