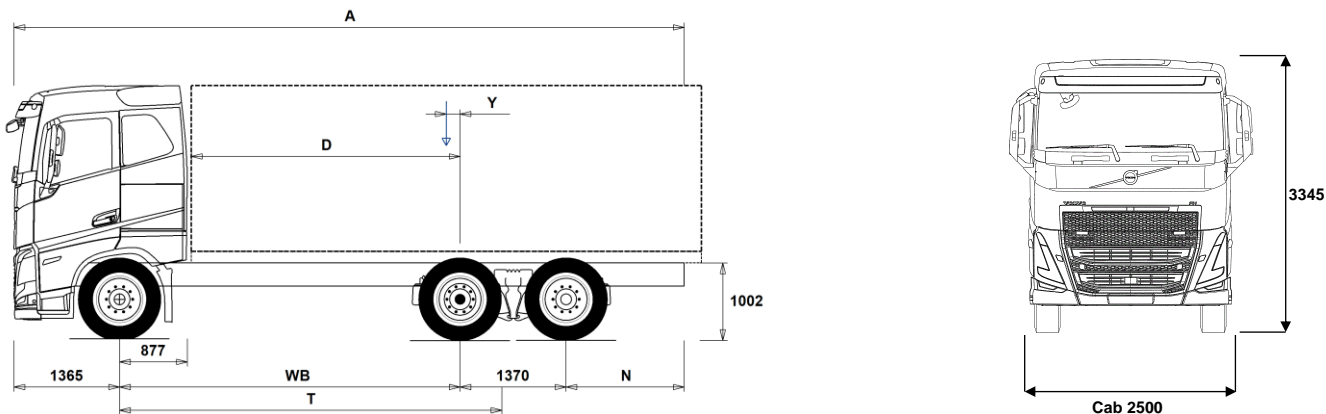


MODEL RANGE

NEW FH Battery Electric 6x2 Tag Rigid - Full Air Suspension FH 62R TE



Chassis Dimensions [mm]

WB Wheelbase	4300	4600	4800	4900	5200	5600	6000
A Overall Chassis Length	9410	9860	10160	10310	10810	11410	12060
D Center of rear axle to front of body	3373	3673	3873	3973	4273	4673	5073
N Rear Overhang (Min.)	825	875	1225	1225	1225	1225	1225
N Rear Overhang (Max.)	2375	2525	2625	2675	2875	3075	3325
T Theoretical Wheelbase	4841	5141	5341	5441	5741	6141	6541
Y Center of Gravity for Payload (Min.)	-338	-362	-306	-394	-419	-452	-498
Y Center of Gravity for Payload (Max.)	-21	-25	45	-35	-39	-45	-61

Chassis Weights [kg]

Front Axle	6360	6470	6335	6590	6680	6785	6900
Rear Bogie	4370	4290	4470	4245	4195	4130	4105
Kerb Weight	10730	10760	10805	10835	10875	10915	11005
Payload (including body, driver, fuel, etc.)	15270	15240	15195	15165	15125	15085	14995

Turning Diameter [mm]

Turning Circle Diameter Kerb to Kerb	16800	17800	18400	18700	19600	20800	22000
Turning Circle Diameter Wall to Wall	18200	19100	19700	20000	21000	22200	23400

Plated Weights [kg]

	Plated	Design
Gross Vehicle Weight	26000	27000
Gross Combination Weight	44000	44000
Front Axle	8000	8000
Rear Bogie	19000	19000

Important Notes

Chassis Dimensions

Cab Height: +375 mm for CAB-HSLP, -203 mm for CAB-LSLP, +517 mm for CAB-XHSL.

D-measure includes a front clearance of 50 mm and for rigid trucks also a subframe of 100 mm.

Height can vary ± 20 mm for leaf and ± 10 mm for air suspension.

All dimensions are for unladen chassis and any tag axles down. Chassis height used: CHH-MED.

Height change when chassis height CHH-HIGH: 0 mm.

Weight and dimensions are based upon the following tyres:

Front Axle Tyres:	315/80R22.5
Drive Axle Tyres:	315/80R22.5
Trailing/Pusher Axle Tyres:	315/80R22.5

Chassis weight includes oil, water, AdBlue, 0 litres fuel and without driver. Kerb weight can vary ± 10%.

Turning diameters are theoretically calculated. Tag axle used: TA-FIXED.

Legal weights can differ from country to country.

For more detailed weight information, including optional equipment weights, ask your Volvo sales contact to enter your specification into the Volvo Weight Information system (WIS).

Do NOT use this drawing for bodybuilding. Refer to Volvo Bodybuilder Instructions and chassis assembly drawing FH62RTE.

MODEL RANGE

NEW FH Battery Electric 6x2 Tag Rigid - Full Air Suspension FH 62R TE

TRUCK USE

- **RC-SMOOT** Road Conditions - Smooth
- **SWAPBODY** Transport Adaption - Swap body vehicle preparation
- **TIPP-PRE** Transport Adaption - Tipper vehicle preparation
- **UNIFORM** Transport Adaption - Basic platform vehicle

CORE COMPONENTS

- **CHH-HIGH** Chassis Height - High - for loading heights check the unique BEP chassis drawing attached to this quote
- **CHH-MED** Chassis Height - Medium - for loading heights check the unique BEP chassis drawing attached to this quote
- **TA-HYSB2** Tag axle - Electro-hydraulically steered
- **TAG-FIXD** Tag axle - Fixed with twin tyres on tag axle
- **TAG-FIXS** Tag axle - Fixed with single tyres on tag axle
- **RADT-GR** Rear air suspension, 2 axles - 1 driven/1 tag
- **FHE-HSLP** Cab - Globetrotter - all-steel safety cage design with a roof-mounted emergency escape hatch. Designed and built to Swedish impact and ECE R29 regulations
- **FHE-LSLP** Cab - Low sleeper - with steel safety cage design. Designed and built to Swedish impact and ECE R29 regulations
- **FHE-SLP** Cab - Sleeper - all-steel safety cage design with a roof-mounted emergency escape hatch. Designed and built to Swedish impact and ECE R29 regulations
- **FHE-XHSL** Cab - Globetrotter XL - all-steel safety cage design with a roof-mounted emergency escape hatch. Designed and built to Swedish impact and ECE R29 regulations
- **EPT2412** Gearbox - I-shift Automated 12-speed - suitable for gross train weights up to 44tonne
- **NEM3** Electric Motors - 3 - Output 490 kW – 666hp continuous power
- **RSS1344C** Drive Axle - RS1344C single reduction with differential lock - design GCW 44 tonne
- **RSS1344E** Drive Axle - RSS1344E single reduction with differential lock - design GCW 44 tonne
- **RSS1370A** Drive Axle - RSS1370A single reduction 13 tonne with differential lock - design GCW 70 tonne

PACKAGES

- **INFONDF** Media Information Platform with Navigation & Volvo Connect "On board" Support
- **DRIV-E** Cab Package - Drive
- **DRIV-E+** Cab Package - Drive +
- **DRIV-E++** Cab Package - Drive +
- **1LIV-E** Sleep & Resting Package - Living one-bed
- **1LIV-E+** Sleep & Resting Package - Living one-bed +
- **1LIV-E++** Sleep & Resting Package - Living one-bed ++
- **2LIV-E** Sleep & Resting Package - Living two-bed
- **2LIV-E+** Sleep & Resting Package - Living two-bed +
- **2LIV-E++** Sleep & Resting Package - Living two-bed ++
- **SAFE-E** Active safety package
- **SAFE-E+** Active safety package +
- **RANGOPTS5** Range Optimisation Package - 5 years prepaid subscription

CHASSIS

- **FST-AIR** Front suspension type - Air
- **FSLs-BAS** Front suspension levelling - basic stroke
- **FSLs-HI** Front suspension levelling - high stroke for demount operations - check with bodybuilder
- **FAL10.0** Front axle design capacity - 10 tonne - check tyre capacity
- **FAL8.0** Front axle design capacity - 8.0 tonne - check tyre capacity
- **FAL8.5** Front axle design capacity - 8.5 tonnes
- **FAL9.0** Front axle design capacity - 9.0 tonne - check tyre capacity
- **FSTAB** Front anti-roll bar - Normal stiffness
- **FSTAB2** Front anti-roll bar - Medium stiffness

- **FSTAB3** Front anti-roll bar - High stiffness
- **RAL19** Rear bogie design capacity - 19 tonne
- **RAL20.5** Rear bogie design capacity - 20.5 tonne
- **RAL22.5** Rear bogie design capacity - 22.5 tonne
- **RAL23** Rear bogie design capacity - 23 tonne
- **RSTAB2** Rear anti-roll bar - Medium stiffness
- **RSTAB3** Rear anti-roll bar - Stiff
- **RALIM10** Rear-axle load limiter - 10 tonne
- **RALIM105** Rear-axle load limiter - 10.5 tonne - speed controlled
- **RALIM115** Rear-axle load limiter - 11.5 tonne - speed controlled
- **RALIM20** Rear-axle load limiter - 20 tonne
- **RALIM95** Rear-axle load limiter - 9.5 tonne
- **ASF-DL1** Air suspension with 1 driving level
- **ASF-DL3** Air suspension with 3 driving levels
- **ASF-DLL** Air suspension with automatically lowered drive height over 60km/h
- **ACTST-TO** Active Steering- Volvo Dynamic Steering - VDS - with extra electronic pump and torque overlay
- **ASFE-BAS** Active steering feature - Basic - Volvo Dynamic Steering - VDS - only
- **ASFE-OG** Active steering feature - Volvo Dynamic Steering - VDS - with stability assist - oversteer
- **ASFE-PO** Active steering feature - Volvo Dynamic Steering - VDS - with personal settings and stability assist
- **ASFE-PS** Active steering feature - Volvo Dynamic Steering - VDS - with personal settings
- **RST-AIR** Rear suspension type - Air
- **RST-AIR4** Rear suspension type - Air with reinforced air bellows
- **FRAME300** Chassis frame section external height - 300 mm
- **FST8080** Chassis frame thickness - 8 mm web and flange
- **FIL-EEEB** Chassis frame inner liner - From the end of the engine to the end of the bogie
- **FIL-EEEF** Chassis frame inner liner - From the end of the engine to end of the frame
- **FIL-FBEB** Chassis frame inner liner - Over the rear bogie
- **FIL-FBEF** Chassis frame inner liner - From the front of bogie to the end of the frame
- **FIL-TXEB** Chassis frame inner liner - From gearbox member to the end of the bogie
- **FIL-TXEF** Chassis frame inner liner - From gearbox member to the end of the frame
- **BATTAMP** Battery management - Voltage and current gauge
- **BATTIND** Battery management - Voltage, current and charge indicators
- **WHC-FIX2** Wheel chocks - Two fixed design
- **WHC-FOL1** One foldable wheel chock
- **WHC-FOL2** Two foldable wheel chocks
- **WHCP-M** Wheel chock carrier position - Middle part of the vehicle
- **WHCP-R** Wheel chock carrier position - In the rear part of the vehicle
- **WHCP-T** Wheel chock carrier position - Outer luggage locker
- **SUP-BAS** Side guards - Check with bodybuilder chassis space requirements
- **CHAIN-S** Snow chains
- **HOOK-SC** Snow chain hooks
- **TOWF-NO1** Front towing device - One detachable - stored in cab
- **TOWF-NO2** Front towing device - Two detachable - stored in cab
- **TOWMBRH** Towing member, high mounted in centre of frame, D = 190
- **TOWMBRL1** Towing member, low mounted under the frame
- **TOWMBRL2** Towing member, low and forward mounted under the frame
- **TOWMBRL3** Towing member, low and far forward mounted under the frame
- **TOWMBRM** Towing member, medium mounted in line with frame lower flange
- **RFEC-L** Rear frame profile - Lower flange cut for centre axle drawbar
- **RFEC-S** Rear frame profile - Straight cut
- **RFEC-U** Rear frame profile - Slight uppercut for tippers

■ Standard Equipment □ Optional Equipment

For more detailed information about cab and powertrain equipment, please refer to separate specification sheets.

For all possible options and combinations of options please consult your Volvo sales contact who can create a specification to match your requirements using the Volvo Sales Support system (VSS).

The factory reserves the right to modify design and change equipment without previous notification. The specification can vary from country to country.

MODEL RANGE

NEW FH Battery Electric 6x2 Tag Rigid - Full Air Suspension FH 62R TE

<input type="checkbox"/> C-RI4040	Towing coupling, Ringfeder 4040A	<input type="checkbox"/> HPM-F41	Hydraulic pump - F1-41 for electrical motor, fixed displacement pump
<input type="checkbox"/> C-RI5050	Towing coupling, Ringfeder 5050A	<input type="checkbox"/> HPM-F51	Hydraulic pump - F1-51 for electrical motor, fixed displacement pump
<input type="checkbox"/> C-RO400G	Towing coupling, Rockinger 400 G-150 for 40mm eyes	<input type="checkbox"/> HPM-F61	Hydraulic pump - F1-61 for electrical motor, fixed displacement pump
<input type="checkbox"/> C-RO50	Rockinger RO 50 50mm for centre axle trailer	<input type="checkbox"/> HPM-F81	Hydraulic pump - F1-81 for electrical motor, fixed displacement pump
<input type="checkbox"/> C-VBG520	VBG 5200D-3 coupling (Not suitable for centre axle trailers) Contact VBG on 01925 234111 to validate the coupling rating for the application	<input type="checkbox"/> HPM-T42	Hydraulic pump - F2-42/42 for electrical motor, twin flow displacement pump
<input type="checkbox"/> C-VBG795	VBG 795V-3 coupling (centre axle trailer)	<input type="checkbox"/> HPM-T53	Hydraulic pump - F2-53/53 for electrical motor, twin flow displacement pump
<input type="checkbox"/> TOWR-ONE	Towing hitch attached to rear crossmember	<input type="checkbox"/> HPM-T55	Hydraulic pump - F2-55/28 for electrical motor, twin flow displacement pump
<input type="checkbox"/> TREL-PK	Trailer electrical preparation kit - chassis/cab wiring	<input type="checkbox"/> HPM-T70	Hydraulic pump - F2-70/35 for electrical motor, twin flow displacement pump
<input type="checkbox"/> TREL14	Single 14 pole electrical trailer connector	<input type="checkbox"/> HPM-V130	Hydraulic pump - VP1-130 for electrical motor, variable displacement pump
<input type="checkbox"/> TREL15	Trailer electrical connection - Single 15 pin - ADR certified	<input type="checkbox"/> HPM-V45	Hydraulic pump - VP1-45 for electrical motor, variable displacement pump
<input type="checkbox"/> TREL7-7	Trailer electrical connection - 2 x 7 pin - 24N and 24S	<input type="checkbox"/> HPM-V75	Hydraulic pump - VP1-75 for electrical motor, variable displacement pump
<input type="checkbox"/> TBC-DUO	Trailer brake connections - Duomatic type	<input type="checkbox"/> HPM-V95	Hydraulic pump - VP1-95 for electrical motor, variable displacement pump
<input type="checkbox"/> TBC-EC	Trailer brake connections - EC palm coupling connectors	<input type="checkbox"/> PTR-D	Gearbox PTO for plug-in pump, 0.71xeng speed
<input type="checkbox"/> TRBR-HCF	Full pressure hand controlled trailer brake	<input type="checkbox"/> PTR-DH	Gearbox driven high speed PTO for one plug-in hydraulic pump
<input type="checkbox"/> TRBR-STA	Stationary trailer brake control	<input type="checkbox"/> PTR-DM	Gearbox driven medium speed PTO for one plug-in hydraulic pump
<input type="checkbox"/> TRB-STRE	Stretch Brake - Automatic low speed trailer brake activation to avoid jack-knifing and improve steerability	<input type="checkbox"/> PTR-F	Gearbox driven PTO with rear flange connection
<input type="checkbox"/> RFEND-B	Rear mud wings - Three piece EC approved and spray flaps	<input type="checkbox"/> PTR-FH	Gearbox driven high speed PTO with SAE drive flange
<input type="checkbox"/> RFEND-T	Rear mud wings - Temporary on drive axle for transport delivery only	<input type="checkbox"/> PTR-FL	Gearbox driven low speed PTO with SAE drive flange
<input type="checkbox"/> RFH-BAS	Basic rear wing height	<input type="checkbox"/> PTRD-D	Gearbox driven HIGH SPEED PTO for two plug-in hydraulic pumps
<input type="checkbox"/> RFH-HIG	High rear wing height - higher wing tops	<input type="checkbox"/> PTRD-D1	PTRD-D1 Gearbox driven HIGH SPEED PTO (1 SAE flange & 1 plug-in hydraulic pump)
<input type="checkbox"/> RFH-LOW	Lower rear wing height - shallower wing tops	<input type="checkbox"/> PTRD-D2	Gearbox driven HIGH SPEED PTO (2 SAE flanges & 1 plug-in hyd pump)
<input type="checkbox"/> AUXATNK	Auxiliary airtank	<input type="checkbox"/> PTRD-F	PTO with 1 DIN + 1 flange connection rear, manual gearbox
<input type="checkbox"/> RESTS-W	White conspicuity markings on chassis - sideguards, toolbox and rear overhang	<input type="checkbox"/> HPG-F101	Parker F1-101 gearbox mounted, fixed displacement, single flow, hydraulic pump
<input type="checkbox"/> REST-RUP		<input type="checkbox"/> HPG-F41	Parker F1-41 gearbox mounted, fixed displacement, single flow, hydraulic pump
<input checked="" type="checkbox"/> BLIGHT-E	Emergency brake light	<input type="checkbox"/> HPG-F51	Parker F1-51 gearbox mounted, fixed displacement, single flow, hydraulic pump
WHEELS & TYRES		<input type="checkbox"/> HPG-F61	Parker F1-61 gearbox mounted, fixed displacement, single flow, hydraulic pump
<input checked="" type="checkbox"/> RT-AL	Wheels - Alcoa brushed aluminium rims - standard holes for long stud fixing	<input type="checkbox"/> HPG-F81	Parker F1-81 gearbox mounted, fixed displacement, single flow, hydraulic pump
<input type="checkbox"/> RT-ALDP	Wheels - Alcoa Dura-Bright aluminium rims - standard holes for long stud fixing	<input checked="" type="checkbox"/> CRUIS-E	Eco cruise control (with eco-roll and I-cruise, controls in steering wheel)
<input type="checkbox"/> RT-ALDPPD	Wheels - Alcoa Dura-Bright EVO aluminium rims - countersunk holes for short stud fixing	<input checked="" type="checkbox"/> STWPOS-R	Steering wheel position - RIGHT-HAND DRIVE
<input type="checkbox"/> RT-ALDU	Wheels - Alcoa brushed aluminium rims - countersunk holes for short stud fixing	<input type="checkbox"/> STWM-LE	Steering wheel - Leather rim
<input type="checkbox"/> RT-STEEL	Wheels - Steel rims	<input checked="" type="checkbox"/> STGW-AD2	Steering wheel adjustment - Neck tilt, column height and angle
<input type="checkbox"/> SPWT-D	Spare wheel & tyre with rear tyre pattern	<input type="checkbox"/> ARSL	Additional road speed limit - switch in dashboard
<input type="checkbox"/> SPWT-F	Spare wheel & tyre with front tyre pattern	<input checked="" type="checkbox"/> ESP-BAS1	Electronic Stability Control ESC
<input type="checkbox"/> SWCP-R	Rear mounted spare wheel carrier	<input type="checkbox"/> ESPC-RO	Additional ESC functions - Reduced / Off
<input type="checkbox"/> SWCP-T	Spare wheel supplied temporarily strapped to chassis	<input type="checkbox"/> HWSS-AC	Adaptive cruise control with forward collision warning
<input type="checkbox"/> SWCP-TP	Temporary spare wheel carrier on top of chassis frame	<input type="checkbox"/> HWSS-ACB	Adaptive cruise control ACC with forward collision warning and AEBS advanced emergency brake system
<input type="checkbox"/> JACK-12T	12 tonne bottle jack	<input checked="" type="checkbox"/> HWSS-FCB	Forward collision warning with AEBS advanced emergency brake system
<input type="checkbox"/> JACK-15T		<input checked="" type="checkbox"/> LSS-DW	Lane departure-warning system
<input type="checkbox"/> JACK-20T		<input checked="" type="checkbox"/> LCS4	Side Collision Avoidance Support - passenger and driver side
<input checked="" type="checkbox"/> TOOL-BAS	Basic Toolkit	<input type="checkbox"/> DAS-W	Driver Alert Support system
<input type="checkbox"/> TOOLKIT	Complete tool kit	<input type="checkbox"/> RSENS-W	Rain sensing windscreen wipers
<input type="checkbox"/> INFLAHOS	Tyre inflation hose		
<input type="checkbox"/> GAUGE-TP	Tyre pressure gauge		
DRIVELINE EQUIPMENT			
<input checked="" type="checkbox"/> DRM-BE	Drive Mode - Balanced & Economy		
<input checked="" type="checkbox"/> PVT-MAP	I-See Predictive Cruise Control - using map based topography information		
<input type="checkbox"/> EP400A	Electric Power Outlet Voltage - 400V AC		
<input type="checkbox"/> EPTC270	Electro-mechanical Power Take Off - Output 270 Nm - transport located on top of chassis behind cab		
<input type="checkbox"/> HPM-F101	Hydraulic pump - F1-101 for electrical motor, fixed displacement pump		

Standard Equipment

Optional Equipment

For more detailed information about cab and powertrain equipment, please refer to separate specification sheets.

For all possible options and combinations of options please consult your Volvo sales contact who can create a specification to match your requirements using the Volvo Sales Support system (VSS).

The factory reserves the right to modify design and change equipment without previous notification. The specification can vary from country to country.

MODEL RANGE

NEW FH Battery Electric 6x2 Tag Rigid - Full Air Suspension FH 62R TE

■ CU-ECC	Cab Climate Unit - Electrically controlled air conditioning with sun sensor	□ ARMRE-DB	Armrests - Two on the driver seat
□ CU-ECC2	Cab Climate Unit - Electrically controlled air conditioning with carbon filter, sun, mist, and air quality sensor	□ ARMRE-PB	Armrests - Two on the passenger seat
■ IMMOBIL	Thatcham H2 approved immobiliser	□ ARU-BAS	Armrest upholstery - Vinyl
□ ALARM-E	Enhanced vehicle alarm - Thatcham H1 approved - Cab plus external sensor for body/trailer	□ ARU-LEA	Armrest upholstery - Leather
□ AMPL400	Radio amplifier, 8 channel, 400 W with subwoofer Located in right hand external storage box	■ GRABHI-B	Instep cab grab handle - Steel finish
■ BUPMON	Back up monitor - Digital reverse camera, parameter & lead supplied loose in cab.	□ GRABHI-L	Instep cab grab handle - Leather finish
□ ISUNS-BS	Side sun visor - Driver & passenger side	■ FMAT-RUB	Footwell floor mats - Rubber
■ ISUNS-DS	Side sun visor - Driver-side	□ FMAT-TX2	Footwell floor mats - Two sets, Rubber and textile with an embossed pile supplied in the cab
□ ISUNF-RE	Electrically operated textile interior sun blind	■ LBK80F	Lower fixed bunk with wide middle section 815 in the centre x 2000 mm
■ ISUNF-RM	Manually operated textile interior sun blind	□ LBK80FRE	Lower electrically operated recline bunk with wide middle section 815 in the centre x 2000 mm
■ CSPL-BX	Lower center dash open storage box	□ LBK80FRM	Lower manually operated recline bunk with wide middle section 815 in the centre x 2000 mm
□ CSPL-BXD	Lower centre dash drawer	□ MATL-FI	Firm lower bunk pocket sprung mattress
□ ADFS	Two extra DIN slots in front shelf - can be fitted with card or drawer available as an accessory	□ MATL-FI4	Lower mattress - Firm, memory foam, 2000x700x130 mm
■ BUPALARM	Reverse alarm	■ MATL-SF	Lower mattress - Flexi-zone semi-firm, pocket springs up to 100kg - 16 stone
□ RTOLL-PK	Road toll PREPARATION kit for trucks operating with "Toll Collect" in Germany	□ OLMAT-BA	Mattress overlay protector - 35mm thick
■ LOADIND	Load indicator with central dashboard display	□ OLMAT-PR	Mattress overlay protector - Premium 50mm thick
□ REMC-MF	Multi-functio wireless remote control	□ TBK60AD	Top bunk - Height adjustable foldable 600 x 1900mm
■ FIREXT3S	Fire extinguisher - 3kg mounted on the seat base	□ TBK60F	Top bunk - Fixed foldable 600 x 1900mm
□ WARNVEST	High visibility warning vest - no sleeves	□ TBK70AD	Top bunk - Height adjustable foldable 700 x 1900mm
■ WARNTRI2	Roadside hazard warning triangle	□ TBK70F	Top bunk - Fixed foldable 700 x 1900mm
□ AIDKIT	First aid kit - Legal demand for EU markets including delivery to EU bodybuilder	■ SLCP-BAS	Sleeper control panel - Basic with switches for interior light, night heater, roof hatch and door lock
□ AIDKIT1B	First aid kit - Legal demand for trucks transiting Germany	□ SLCP-LUX	Sleeper control panel - Luxury with switches for interior light, night heater, roof hatch, door lock, alarm clock, window and radio
□ WARNLAMP	Portable warning lamp	□ SAFE	Driver's safe box - for personal items
□ LAMP-IN	Inspection lamp	□ RUS-BAS	Rear cab upper storage - 300 mm high
□ BULBKIT	Bulb and fuse kit	□ RUS-HIG	Rear cab upper storage - 440 mm high - volume 245 litres
□ WRITEPAD	Writing pad	□ TABLE	Bunk table - Folding and height adjustable fitted on lower bunk
■ DST-CF4	Driver seat - Suspended, adjustable shock absorber, travel, backrest & lumbar controls with integrated seatbelt	□ REFR-RUS	Fridge - 28 litre rear upper wall mounted with dividers
□ DST-CF5	Driver seat - Suspended with adjustable shock absorber, travel, backrest, lumbar & heat controls with integrated seatbelt	□ REFRIG	Fridge - 33 litre under-bunk mounted with freezer dividers
□ DST-CF6	Driver seat - Suspended with adjustable shock absorber, travel, backrest, lumbar, heat and ventilation controls with integrated seatbelt	□ MICRO-PK	Wiring preparation kit for microwave oven
□ DST-LUX1	Driver seat - Deluxe 1: electrical adjustment with memory function, lumbar support, heating & ventilation with integrated seatbelt	■ BOTH-D	Bottle holder - One under dashboard centre section
□ DST-LUX2	Driver seat - Deluxe 2: electrical adjustment with memory function, lumbar support & heating with integrated seatbelt	□ BOTH-DL	Bottle holders - Two. One under dashboard centre section and one mounted to the under bunk drawer
□ SBD-RED	Seat belt colour - Red	□ BOTH-L	Bottle holder - One mounted to the under bunk drawer
□ PST-BAS1	Passenger seat - Fixed non suspended fold up with seatbelt mounted on cab "B" post	□ COFMA-PK	Coffee maker - Preparation kit.
□ PST-CF4	Passenger seat - Suspended, adjustable shock absorber, travel, backrest & lumbar controls with integrated seatbelt	■ INLI-BAS	Interior light - White LEDs
□ PST-CF5	Passenger seat - Suspended with adjustable shock absorber, travel, backrest, lumbar & heat controls with integrated seatbelt	□ INLI-NL	Interior light - White and red nightlight LEDs without dimmer
□ PST-RX1	Passenger seat - Fixed non suspended, features: 90-degree rotation and tilt function with seatbelt mounted on cab "B" post	□ INLI-NLD	Interior light - White and red nightlight LEDs with dimmer
■ PST-STD2	Passenger seat - Fixed with backrest adjustment, non suspended with seatbelt mounted on cab "B" post	□ ARL-FLEX	Flexible reading lamps - Two "snake" type
□ PST-STD4	Passenger seat - Standard suspended with seatbelt mounted on cab "B" post	■ RH-EE	Fixed tinted glass sky window with emergency exit
□ SBPRE-PS	Passenger seat belt pretensioner	□ RH-ER	Steel roof hatch - Electrically operated, rear opening with emergency exit
□ ARMRE-BB	Armrests - Two on both driver & passenger seats	□ RH-ETR	Tinted glass roof hatch - Electrically operated, rear opening with emergency exit
		□ RH-MTR	Tinted glass roof hatch - Manually operated, rear opening with emergency exit
		■ GLAS-TIN	Cab windows - Tinted
		□ SWIND-BS	Cab side window - On both sides behind 'B' post
		□ AS-FUS	Extra shelf in front compartments
		□ INFOT-PK	Preparation kit for the mounting of a flat screen TV in cab above the driver's door, includes bracket, electrical and speaker connections

■ Standard Equipment

□ Optional Equipment

For more detailed information about cab and powertrain equipment, please refer to separate specification sheets.

For all possible options and combinations of options please consult your Volvo sales contact who can create a specification to match your requirements using the Volvo Sales Support system (VSS).

The factory reserves the right to modify design and change equipment without previous notification. The specification can vary from country to country.

MODEL RANGE

NEW FH Battery Electric 6x2 Tag Rigid - Full Air Suspension FH 62R TE

	colour. Aluminium step inserts. Sunvisor and bumper spoiler in cab colour if specified.	<input type="checkbox"/> STUC-L	Left storage compartment under cab
<input type="checkbox"/> LOCK-CTL	Door locks - Central locking with key	<input type="checkbox"/> STUC-R	Right storage compartment under cab
<input type="checkbox"/> LOCK-REM	Door locks - Remote central locking	<input type="checkbox"/> REFS-CW	White cab conspicuity markings mounted on cab side
<input checked="" type="checkbox"/> BUMP-B	Plastic front bumper	<input type="checkbox"/> REFS-TW	White cab conspicuity markings by packed in cab
<input type="checkbox"/> BUMP-B2	Front bumper - Steel	<input type="checkbox"/> REFS-TY	Yellow cab conspicuity markings by packed in cab
<input checked="" type="checkbox"/> BUMP-SP	Front bumper spoiler	SUPERSTRUCTURE PREPARATIONS	
<input type="checkbox"/> CTILTP-E	Electrically operated hydraulic cab tilt	<input type="checkbox"/> SW745-EE	Swapbody equipped with front stop block for wheelbase 4600 mm and body length 7150/7450 mm. Height 130 mm above frame.
<input checked="" type="checkbox"/> CTILTP-M	Manually operated hydraulic cab tilt	<input type="checkbox"/> SW745-FE	Swapbody equipped with front stop block for wheelbase 4800 mm and body length 7150/7450 mm. Height 130 mm above frame.
<input type="checkbox"/> FCABS-A	Front cab suspension - Air	<input type="checkbox"/> SW745-GE	Swapbody equipped with front stop block for wheelbase 4600 mm and body length 7150/7450 mm. Height 190 mm above frame.
<input checked="" type="checkbox"/> FCABS-M	Front cab suspension - Mechanical spring	<input type="checkbox"/> SW745-HE	Swapbody equipped with front stop block for wheelbase 4800 mm and body length 7150/7450 mm. Height 130 mm above frame.
<input type="checkbox"/> RCABS-A	Rear cab suspension - Air	<input type="checkbox"/> SW782-ME	Swapbody equipped with front stop block for wheelbase 4900 mm and body length 7150/7450/7820 mm. Height 130 mm above frame.
<input checked="" type="checkbox"/> RCABS-M	Rear cab suspension - Mechanical spring	<input type="checkbox"/> SW782-OE	Swapbody equipped with front stop block for wheelbase 4900 mm and body length 7150/7450/7820 mm. Height 190 mm above frame.
<input type="checkbox"/> HCC-EXT	Exterior hood catch - manually operated from the front of the vehicle	<input type="checkbox"/> CROSSRE	Cross reinforcement for swapbody
<input checked="" type="checkbox"/> HCC-INEX	Exterior hood lock - Activated by door lock remote	<input type="checkbox"/> SRWL-2RW	Chassis-mounted working lamps - Two white rear-mounted LED lamps and 3 position switch
<input checked="" type="checkbox"/> MIRCFPCS	Mirrors - Electrically heated and operated main and wide-angle with manually adjusted kerb view mirror on the passenger side and position camera in nearside mirror arm.	<input type="checkbox"/> SRWL-PK	Chassis-mounted working lamps - Side work and reverse lamp preparation and 3 position switch - Max load 280W
<input checked="" type="checkbox"/> AMIR-F20	Auxiliary front view mirror with a 200mm radius	<input type="checkbox"/> SWL-2FW	Chassis-mounted working lamps - Two white front-mounted LED lamps
<input type="checkbox"/> SUNV-H	External smoke grey sunvisor	<input type="checkbox"/> SWL-2RW	Chassis-mounted working lamps - Two white rear-mounted LED lamps
<input type="checkbox"/> AD-ROOF	Cab roof deflector - Adjustable	<input type="checkbox"/> SWL-4W	Chassis-mounted working lamps - Four white front and rear-mounted LED lamps
<input type="checkbox"/> AD-SIDES	Cab side deflector - Short extension panels	<input type="checkbox"/> SWL-PK	Chassis-mounted working lamps - Side work lamp preparation and 2 position switch - Max load 280W
<input type="checkbox"/> AD-CHASX	Chassis side skirts	<input type="checkbox"/> WLC-H2A	Two H3/70W working lamps with amber coloured lens high mounted back of cab
<input type="checkbox"/> ADCF-F	Additional black edging on chassis side skirt	<input type="checkbox"/> WLC-H2W	Two H3/70W white working lamps high mounted on the back of cab
<input type="checkbox"/> HLP-ST	Headlamp protection	<input type="checkbox"/> WLC-PKCH	Working lamp back of cab - Preparation kit - cables and switch
<input checked="" type="checkbox"/> DRL-LED	V-shaped daytime running lights	<input type="checkbox"/> WLC-PKH	Preparation kit, cables and switch for high mounted working lamps back of cab
<input type="checkbox"/> DRIVL2	Two spot lamps	<input type="checkbox"/> WLC-PKL	Preparation kit, cables and switch for low mounted working lamps back of cab
<input checked="" type="checkbox"/> UDRIVL	Auxiliary driving lights - Without	<input type="checkbox"/> WLC-PKLH	Preparation kit - cables and switch for low and high mounted working lamps back of cab.
<input checked="" type="checkbox"/> FOGL-WC	Front fog lights	<input checked="" type="checkbox"/> ECBB-HIG	Body builder electrical centre with body builder module
<input checked="" type="checkbox"/> CL-STAT	Static corner lights	<input checked="" type="checkbox"/> BBCHAS1	One 7-pole connector for Body builder interface
<input type="checkbox"/> ASL-RF2	Two Hella H11 70W spotlamps in sign box	<input checked="" type="checkbox"/> BBCHAS3	Three 7-pole connectors for Body builder interface
<input type="checkbox"/> BEACOA2F	Roof beacons - Two front roof mounted amber LED	<input type="checkbox"/> BEPR-T2	Body builder electrical software preparation for tipper with remote control
<input type="checkbox"/> BEACOA2R	Roof beacons - Two rear roof mounted amber LED	<input type="checkbox"/> EXSTER	External steering control - Volvo dynamic steering and bodybuilder module prepared for external control system, installed and computer by bodybuilder
<input type="checkbox"/> BEACON-P	Roof beacons - switch and wiring preparation only	<input type="checkbox"/> TD-BAS	Trailer detection WITHOUT LED sensing
<input type="checkbox"/> BEACONA4	Roof beacons - Four amber LED - two front/ two rear	<input type="checkbox"/> TD-LED	Trailer detection with LED sensing
<input checked="" type="checkbox"/> CABPT-R1	Single outlet for roof mounted accessories	<input type="checkbox"/> FBA-BTF	Lower front body attachments for torsionally flexible - platform body
<input checked="" type="checkbox"/> CABPT-R2	Twin outlets for roof mounted accessories.	<input type="checkbox"/> FBA-BTSF	Lower front body attachments for torsionally semi-flexible body - box or curtainsider
<input type="checkbox"/> SPOTP-F	Spotlamp preparation in front, max 280W	<input type="checkbox"/> HBA-FSFB	Holes for body attachments - flexible/semi-flexible body
<input type="checkbox"/> SPOTP-R	Spotlamp preparation on roof, max 280W	<input type="checkbox"/> HBA-SB	Holes for body attachments - stiff body
<input type="checkbox"/> SPOTP-RF	Spotlamp preparation on cab roof and in cab front, max 2x280W	<input type="checkbox"/> RBA-T2	Lower rear body attachments for helper frame
<input type="checkbox"/> ROS-IL	Globetrotter roof sign illuminated	<input type="checkbox"/> CRANEPK1	Crane plates mounted to frame, for cranes up to 10 tonne metre capacity
<input type="checkbox"/> ROS-IL2	Preparation kit for illuminated roof sign with switch loose in cab, fit after registration		
<input type="checkbox"/> ROS-ILP	Roof sign illumination preparation kit		
<input type="checkbox"/> CSGN-GTR	"Globetrotter" headboard logo		
<input checked="" type="checkbox"/> HORN-F1S	Horn - Air single tone - chassis mounted		
<input type="checkbox"/> HORN-R2S	Horn - Air - Two roof-mounted		
<input type="checkbox"/> ANT-CBR	Roof mounted antenna for CB radio, single aerial. Only Globetrotter cabs brings in extra DIN slots.		
<input type="checkbox"/> ACCB-R-AP	Front, middle & rear roof mounted accessory brackets		
<input type="checkbox"/> ACCB-R-F	Front roof mounted accessory bracket		
<input type="checkbox"/> ACCB-R-FM	Front & middle roof mounted accessory brackets		
<input type="checkbox"/> ACCB-R-FR	Front & rear roof mounted accessory brackets		
<input type="checkbox"/> ACCB-R-M	Middle roof mounted accessory bracket		
<input type="checkbox"/> ACCB-R-R	Rear roof mounted accessory bracket		
<input type="checkbox"/> ACCB-R-RM	Rear & middle roof mounted accessory brackets		
<input type="checkbox"/> STUC-B	Left and right storage compartments under cab		

Standard Equipment

Optional Equipment

For more detailed information about cab and powertrain equipment, please refer to separate specification sheets.

For all possible options and combinations of options please consult your Volvo sales contact who can create a specification to match your requirements using the Volvo Sales Support system (VSS).

The factory reserves the right to modify design and change equipment without previous notification. The specification can vary from country to country.

MODEL RANGE

NEW FH Battery Electric 6x2 Tag Rigid - Full Air Suspension FH 62R TE

- **CRANEPK2** Crane plates mounted to frame, for cranes up to 20 tonne metre capacity
- **CRANEPK4** Crane plates mounted to frame, for cranes up to 40 tonne metre capacity
- **AUXL-SPK** Electrical preparation kit - wiring and switch for snow plough lights
- **TAILPRE2** Tail lift preparation kit, wireless remote operation
- **TAILPREP** Taillift preparation kit - cab switch and warning in driver display
- **AESW2** Two Body builder bistable electrical switches (marked AUX1 / AUX2)
- **AESW2PK** 2 Body builder bistable el.switches (marked AUX1/AUX2) and prep. for 4 more switches
- **AUXSW-4** Wiring for 4 extra switches (from Body builder electrical centre to switch positions)

DELIVERY SERVICES

- **FMS-PK** Fleet Management System gateway - required for aftermarket telematics
- **DRUT1** Driver utility app - "My Truck" - 1 year subscription
For mobile phone, tablet, with android and IOS systems.
Only available with Volvo Connect subscription
- **DRUT2** Driver utility app - "My Truck" - 2 year subscription
For mobile phone, tablet, with android and IOS systems.
Only available with Volvo Connect subscription
- **DRUT3** Driver utility app - "My Truck" - 3 year subscription
For mobile phone, tablet, with android and IOS systems.
Only available with Volvo Connect subscription
- **DRUT4** Driver utility app - "My Truck" - 4 year subscription
For mobile phone, tablet, with android and IOS systems.
Only available with Volvo Connect subscription
- **DRUT5** Driver utility app - "My Truck" - 5 year subscription
For mobile phone, tablet, with android and IOS systems.
Only available with Volvo Connect subscription