

FACT SHEET

LOW ENTRY CAB



Built for the needs of the city, with excellent manoeuvrability and visibility. Picture showing STWPOS-L.



Low and ergonomic instep with kneeling function and 90-degree door opening. Picture showing STWPOS-L.

Low Entry Cab

The Volvo FE LEC (Low Entry Cab) is designed for operations that require the driver/passenger to climb in and out of the cab on a frequent basis.

The lower position of the cab gives an excellent direct vision in narrow areas and towards vulnerable road users.

Sales variants

FELECD	FE Low Entry Cab Diesel
FELECFD	FE Low Entry Cab Flat Floor Diesel
FELECG	FE Low Entry Cab CNG
FELECFG	FE Low Entry Cab Flat Floor CNG
FELECFE	FE Low Entry Cab Flat Floor Electric

FEATURES AND BENEFITS

- Specially developed garbage truck.
- Easy access with 90-degree door opening.
- Low instep with kneeling function (-90 mm).
- Excellent visibility.
- Accommodates crew up to 3 passengers.
- Whole Vehicle Type Approved (WVTA)*.

* CoC (Certificate of Conformity) needs to be manually updated by market homologation engineer in the Hdoc (Homologation document) system for this solution if WVTA-EC (Whole Vehicle Type Approval) is required.

FACT SHEET

LOW ENTRY CAB

Low Entry Cab in two versions

The Low Entry Cab comes in two versions with either a flat floor for cross cab access and up to a crew of four, or with a more standardized instep and standard seat on the passenger side for operations that only require one passenger.

The driver service points are easily accessible behind a hatch in the front. The engine compartment is conveniently accessed thanks to a cab tilt angle of 55°.

The instrument panel is easy to take in at a glance and the instruments give the driver clear and logical information about the vehicle.

The driver's environment is ergonomically designed to make it easy to manoeuvre the vehicle whatever the traffic situation.

The cab fulfils both EU and Volvo unique safety demands:

- ECE-R29/02
- BOF10 Roof Crush, Frontal- and Rear Impact
- Barrier test at 30 km/h

Safety cab

The FE cab has an injury-preventive design featuring energy-absorbing materials that effectively shield the driver and passenger. The cab's safety level corresponds to the Swedish requirements as per BOF10 (Vehicle Regulations), which among other things means it offers immense safety in roll-over situations.

It is fitted as standard with FUP (Front Underrun Protection), a safety system integrated into the front bumper beam. It prevents smaller oncoming vehicles from becoming wedged under the truck in a frontal collision.

The large windscreen has tinted glass and is available in two variants, either with tinted-only glass or with tinted and heat-reflecting glass. It can also be specified with electric heating. There is the option of doors with low extra windows, that considerably increase the driver's visibility alongside the cab.

The standard lighting consists of headlamps with H4 bulbs along with day-running lights and turn indicators, all integrated neatly into one unit. The entire unit can be easily accessed for bulb replacement.



Separate console for parking brake, when specified with AT2412F, including small storage space. Note! Dual double DIN adapter in dashboard according to S90150. Monitor not included in this option. Picture showing STWPOS-R.



Standard dashboard, but slightly modified due to LEC conversion. Separate console for parking brake and AL306 controls. Picture showing STWPOS-L.

FACT SHEET

LOW ENTRY CAB

Functional and ergonomically

The driver's seat is ergonomically designed, with height and longitudinal adjustment and adjustment of the seat cushion angle and backrest angle. It is also possible to specify locations with integrated seat belts and there is a variety of equipment levels, for example, with air suspension and volume adjustment.

The steering wheel is adjustable. Frequently used controls are within easy reach in or just behind the steering wheel. The door panel houses the controls for the power windows and there is also a storage compartment here.

The instrument panel has clear instruments and logically positioned controls. The gear lever and parking brake lever are also located in the instrument panel. The electrical distribution unit with its electrical components and fuses is placed for convenient access behind a hatch under the instrument panel on the passenger's side. Here too is a separate electrical distribution unit for the cargo body and its equipment.

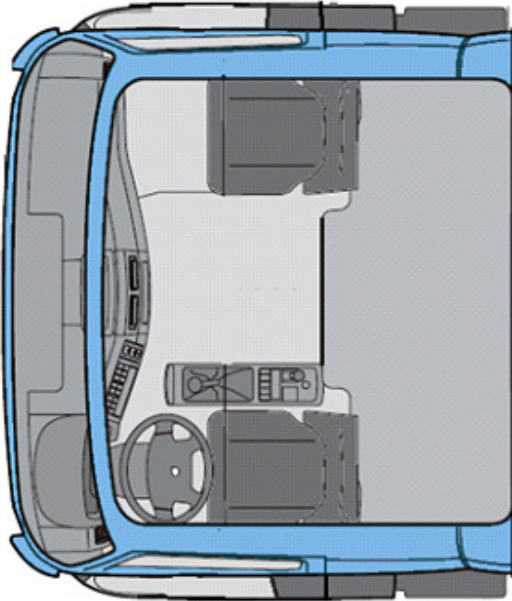


1+3 version as option. Comfortable seats for three passengers (S90095), including coat hanger behind driver's seat as well as red seat belts (S90909). Picture showing STWPOS-L.

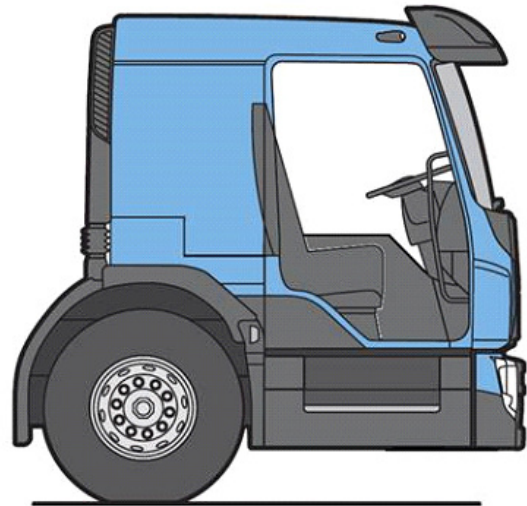
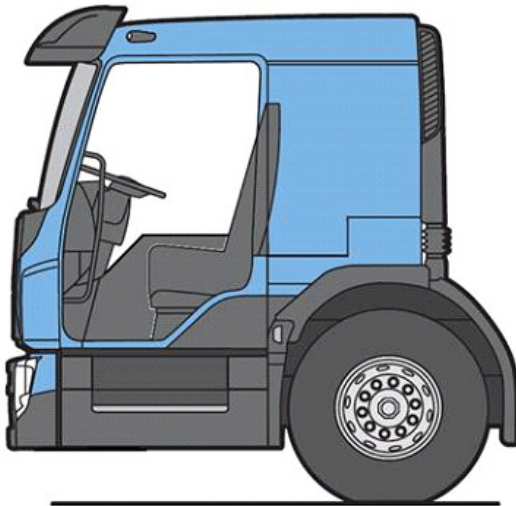
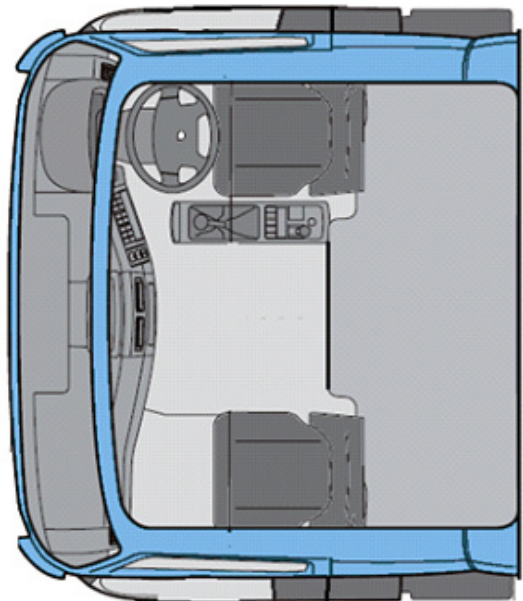
FACT SHEET

LOW ENTRY CAB

Cab layout left-hand drive STWPOS-L



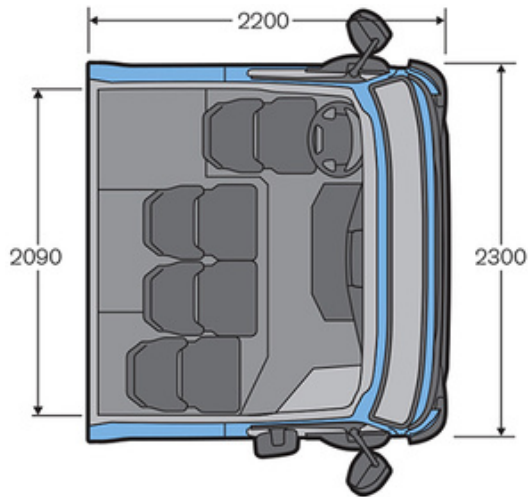
Cab layout right-hand drive STWPOS-R



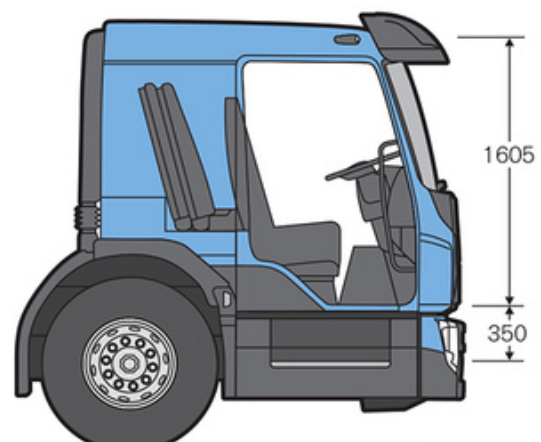
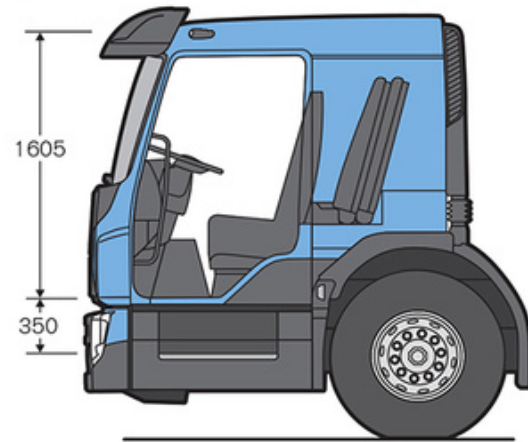
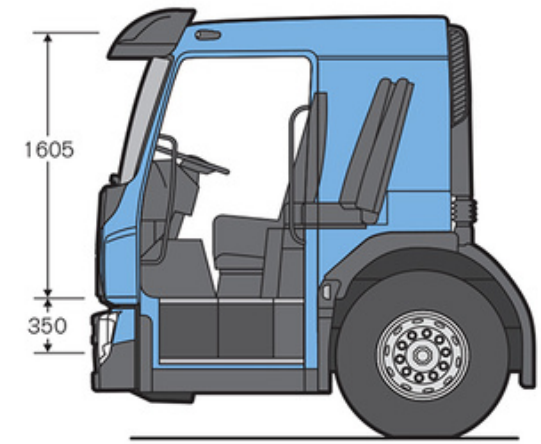
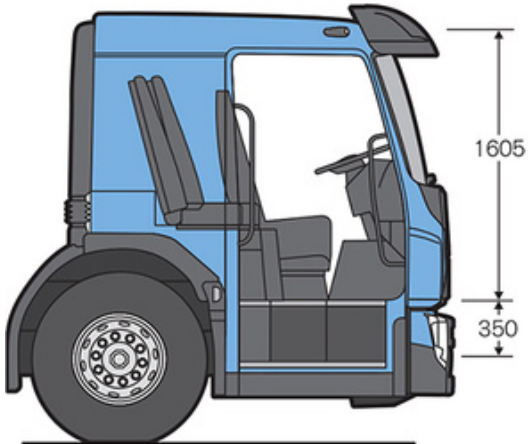
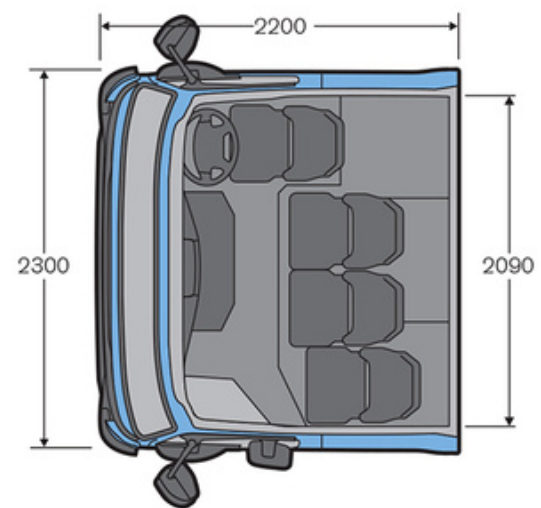
FACT SHEET

LOW ENTRY CAB

Cab layout Flat Floor left-hand drive STWPOS-L



Cab layout Flat Floor right-hand drive STWPOS-R



FACT SHEET

LOW ENTRY CAB

Volvo FE LEC standard offering

Gross Vehicle Weight: 18-26 t

Chassis height: CHH-MED

Axle configuration: 4x2 (19 t), 6x2 (19.5 - 26 t) RIGID

Wheelbase: All wheelbases available on 4x2 and 6x2

Rear axle: RSS1344C / RSH1370F

Cab: Based on CAB-SLP

Suspension: FSS-AIR and RSS-AIR

Dashboard: Standard dashboard, with radio in original position, but slightly modified due to LEC conversion. Separate console for parking brake and gear lever when specified with AL306 and small storage area next to the parking brake lever when specified with AT2412F.

Kneeling function (-90 mm)

Pneumatic outlet: Pneumatic outlet next to driver's seat

Front Axle Load: FAL7.5 / FAL8.0 tonnes

Wheels / Tyres: 315/70R22.5 up to 385/65R22.5

Road condition: RC-SMOOTH

Accessories

- Driver's seat cover in vinyl, to match the passenger seats, is available as accessory.

Volvo FE LEC Diesel offering

Engine: D8K250 / D8K280 / D8K320 / D8K350

Gearbox: AT2412F / AL306

Volvo FE LEC CNG offering

Engine: G9K320, EU6

Gearbox: AL306

Gas tanks: 2x3 100 litres tanks

Exhaust direction: EXD-REAR

Volvo FE LEC Electric offering

Engine / Gearbox: EPT802 / 800 Nm 2 Speed

Volvo FE Low Entry Cab

Interior: Designed for one person operation with slightly modified engine tunnel. Includes standard bunk behind seats.

Passenger seat: In standard position with all passenger seat option, including air suspended seat for greater passenger comfort.

Volvo FE Low Entry Cab with Flat Floor

Interior: Flat Floor with walk-through access.

Passenger seat: PST-ECO moved backwards to increase

near side visibility for driver.

Option possibility for one or two extra mid-mounted passenger seats.



Easy and safe entry and exit with large anti-slip footstep and flat floor. Picture showing STWPOS-L.



FACT SHEET

LOW ENTRY CAB

Option sales variants

Sales variant	Description	FELECD	FELECFD	FELECG	FELECFG	FELECFE
PCA90184	FE Low Entry Cab Diesel	•				
PCA90109	FE Low Entry Cab Flat Floor Diesel		•			
PCA90198	FE Low Entry Cab CNG			•		
PCA90197	FE Low Entry Cab Flat Floor CNG				•	
PCA90199	FE Low Entry Cab Flat Floor Electric					•
S90094	24V power outlet behind driver's seat	○	○	○	○	○
S90095	2 extra mid-mounted passenger seats	N/A	○	N/A	○	○
S90096	Red seat belts for extra passenger (with S90097)	N/A	○	N/A	○	○
S90097	1 extra mid-mounted passenger seat	N/A	○	N/A	○	○
S90098	Extra cab side window, left side	○	○	○	○	○
S90099	Extra cab side window, right side	○	○	○	○	○
S90150	Adapter in dashboard, dual double DIN	○	○	○	○	○
S90151	Adapter in dashboard, single double DIN	○	○	○	○	○
S90152	Adapter in dashboard, IFM Ecomat 100	○	○	○	○	○
S90154	High air intake	○	○	○	○	N/A
S90155	Vertical right exhaust outlet	○	○	N/A	N/A	N/A
S90156	Roof deflector mounted	○	○	○	○	○
S90157	Painting of ESTEPE cab components to match colour	○	○	○	○	N/A
S9001097	Painting of ESTEPE cab components to match colour, Electric	N/A	N/A	N/A	N/A	•
S90158	Relocated engine block heater interface	○	○	○	○	N/A
S90195	Side aerodynamic device cut in the lower part	○	○	○	○	○
S90206	Parking heater (PH-CAB2)	○	○	N/A	N/A	N/A
S90212	LEC HWSS-FCB and LSS-DW	○	○	○	○	○
S90909	Red seat belts for two extra passenger seats (with S90095)	N/A	○	N/A	○	○

• Standard

○ Option

N/A Not available